



US00D759983S

(12) **United States Design Patent**
Shallcross

(10) **Patent No.:** **US D759,983 S**

(45) **Date of Patent:** **** Jun. 28, 2016**

(54) **GARMENT HANGER**

(56) **References Cited**

(71) Applicant: **Stephen Shallcross**, Chester (GB)

U.S. PATENT DOCUMENTS

(72) Inventor: **Stephen Shallcross**, Chester (GB)

6,158,635 A * 12/2000 Batts 223/96

D518,839 S * 4/2006 Singleton D6/326

7,387,223 B2 * 6/2008 Misumi 223/96

(73) Assignee: **Mainetti (UK) Limited** (GB)

D613,078 S * 4/2010 Gouldson D6/315

D616,652 S * 6/2010 Warren D6/326

D655,924 S * 3/2012 Gouldson D6/326

(**) Term: **14 Years**

D670,920 S * 11/2012 Jones D6/328

D681,352 S * 5/2013 Jones D6/326

D722,236 S * 2/2015 Jones D6/318

2006/0163294 A1 * 7/2006 Sutton et al. 223/85

(21) Appl. No.: **29/471,876**

* cited by examiner

(22) Filed: **Nov. 6, 2013**

Primary Examiner — Derrick Holland

Assistant Examiner — Lauren Calve

(74) *Attorney, Agent, or Firm* — Jack Schwartz & Associates, PLLC

(30) **Foreign Application Priority Data**

(57) **CLAIM**

The ornamental design for a garment hanger, as shown and described.

May 13, 2013 (GB) 4029858

DESCRIPTION

(51) **LOC (10) Cl.** **06-08**

FIG. 1 is a top view of a garment hanger of the present invention;

(52) **U.S. Cl.**

FIG. 2 is a left side view thereof;

USPC **D6/326**

FIG. 3 is a front view thereof;

(58) **Field of Classification Search**

USPC D6/315–328; 223/85–98; 211/10, 13.1, 211/85.2, 86.01, 87.01, 113

FIG. 4 is a right side view thereof;

CPC A47G 25/28; A47G 25/14; A47G 25/36;

FIG. 5 is a back view thereof;

A47G 25/48; A47G 25/66; A47G 25/441;

FIG. 6 is a bottom view thereof; and,

A47G 25/481; A47G 25/483; A47G 25/485;

FIG. 7 is a front perspective view thereof.

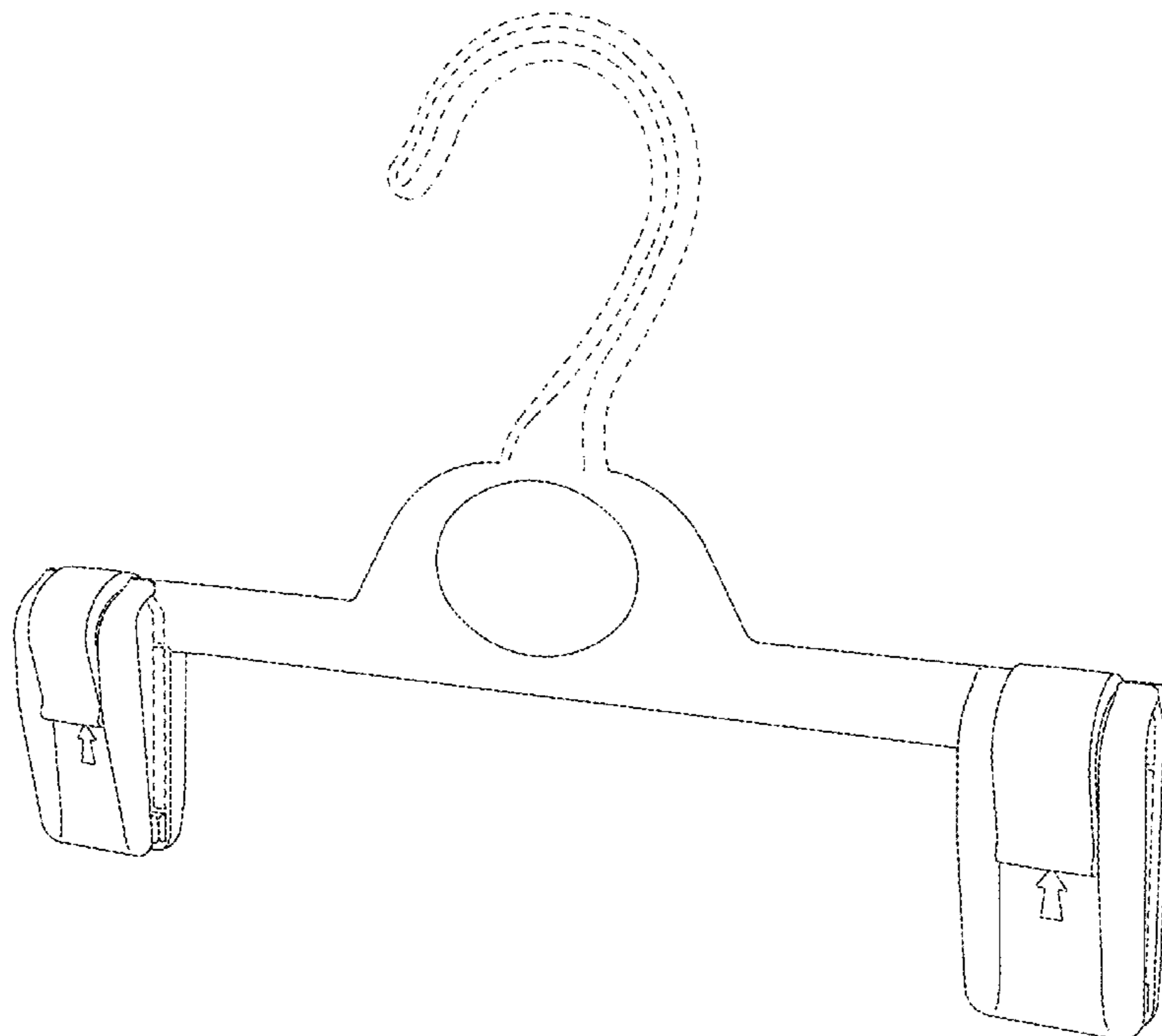
A47G 25/487; A47G 25/621; A47G 25/743;

The broken lines shown represent unclaimed subject matter and form no part of the claimed design.

A47F 5/0006

See application file for complete search history.

1 Claim, 3 Drawing Sheets



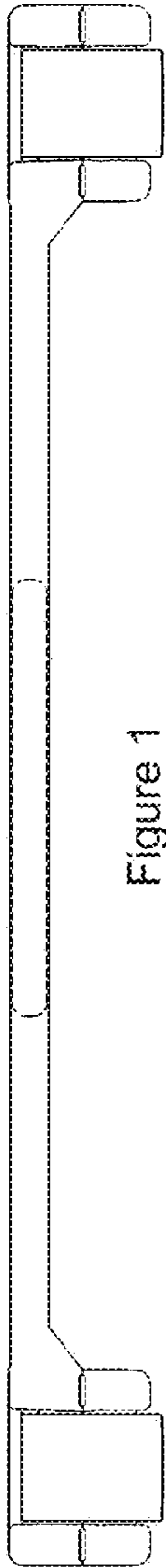


Figure 1

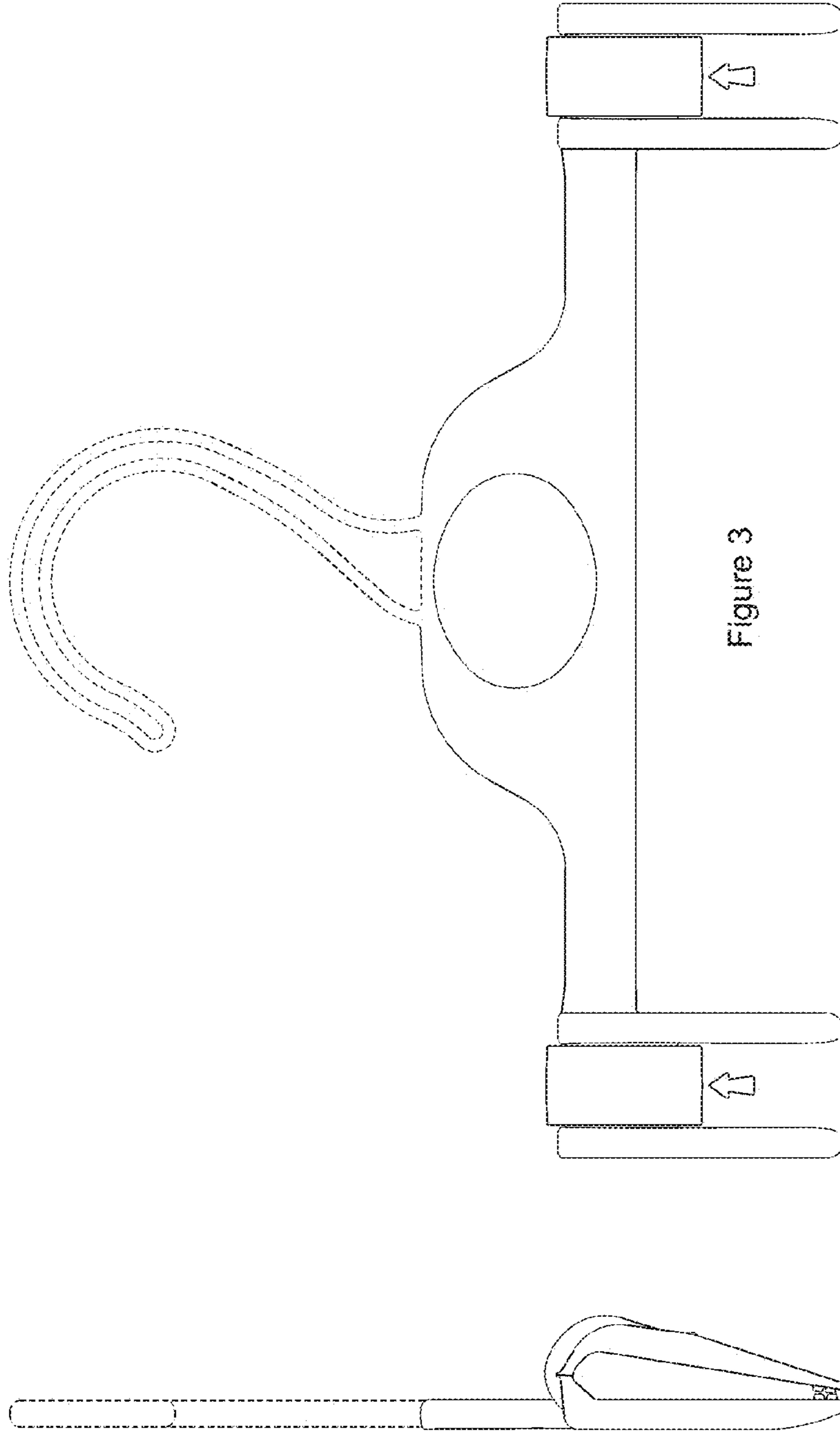


Figure 2

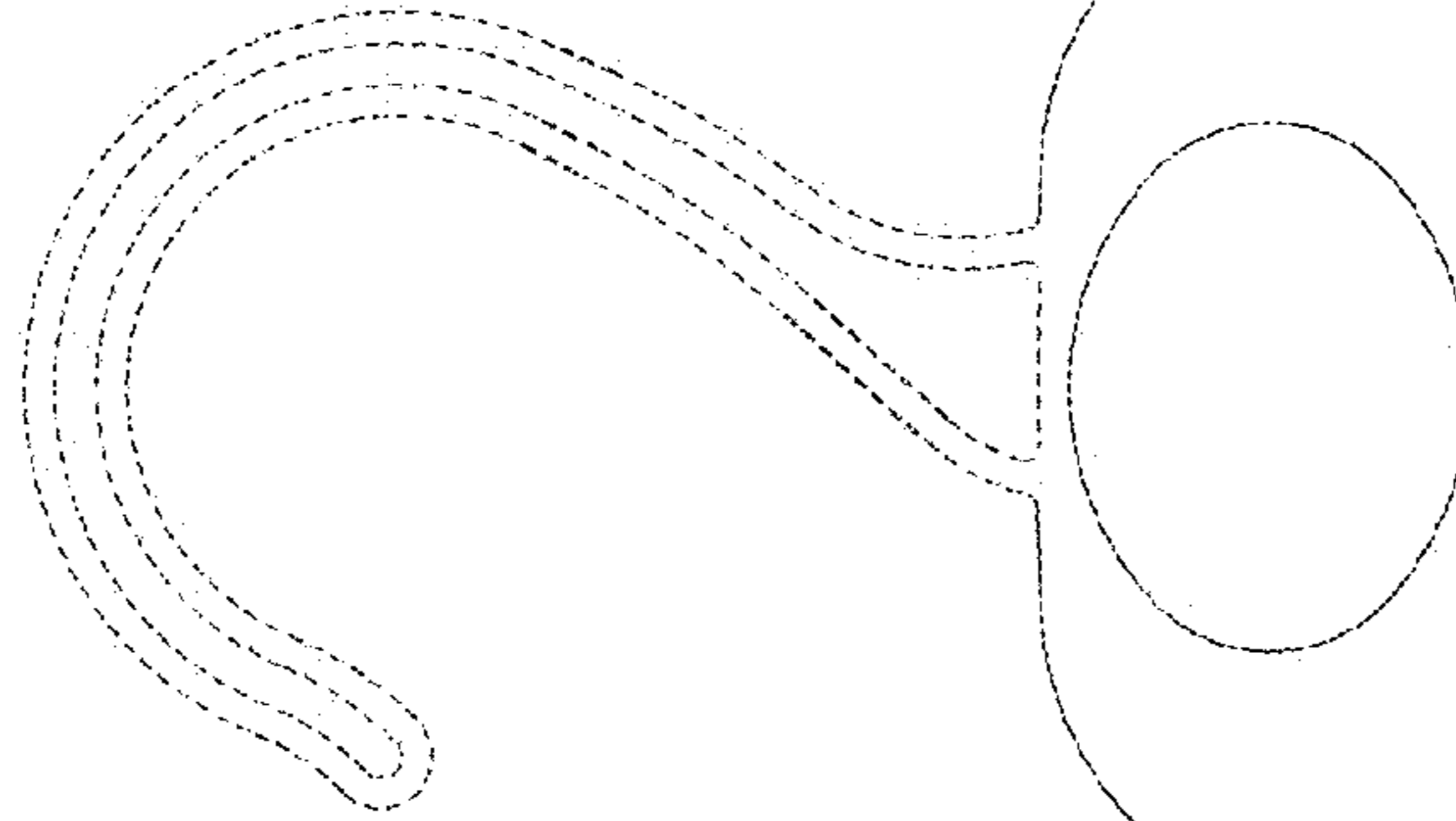
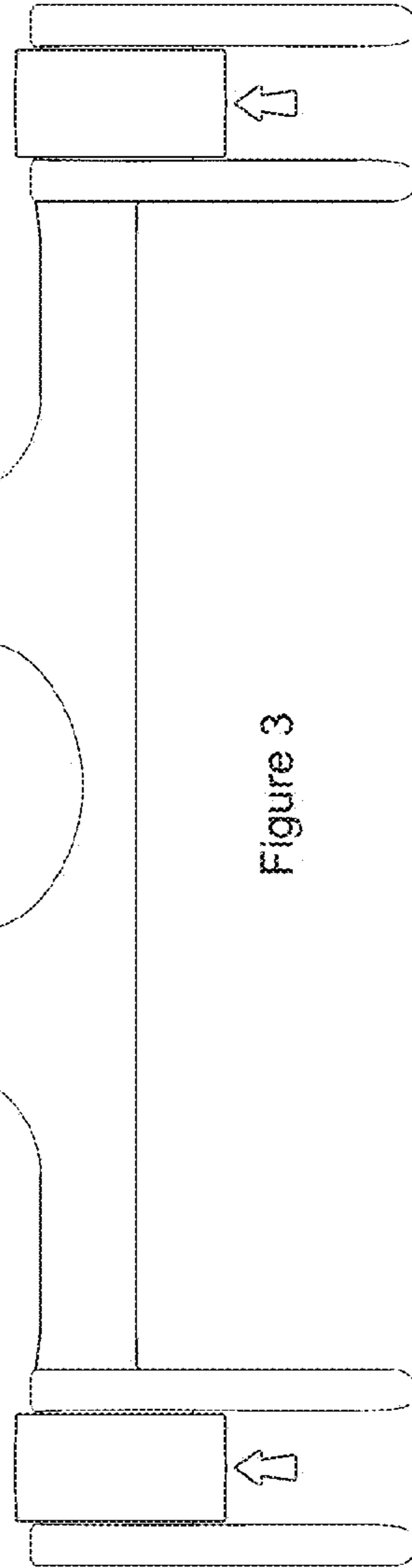
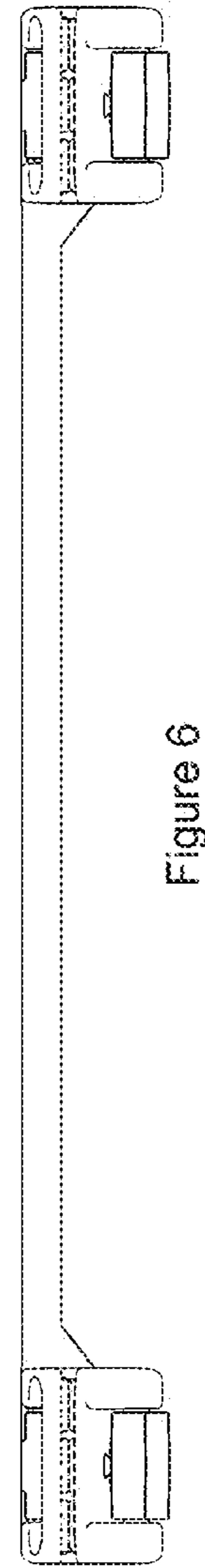
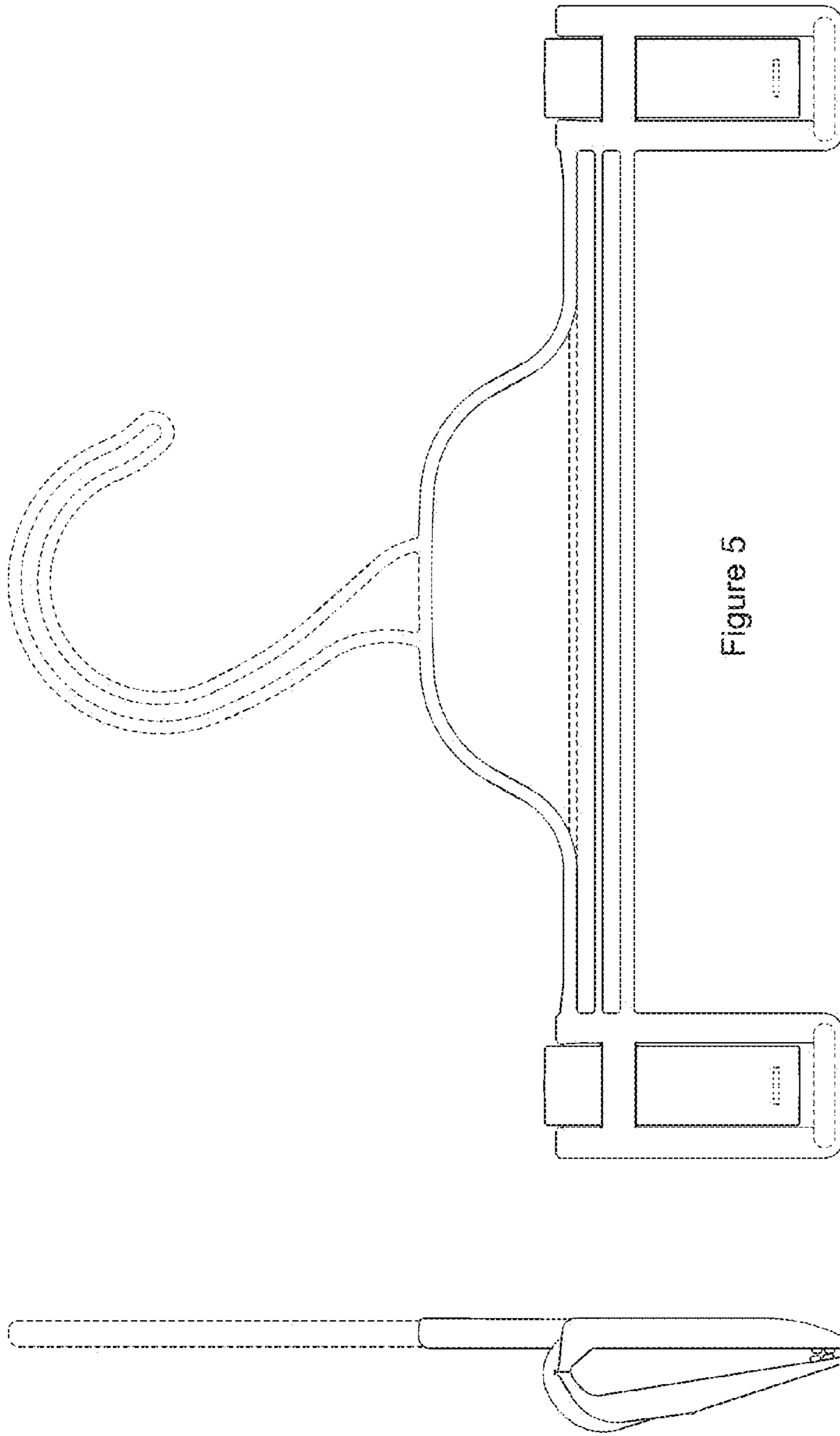


Figure 3





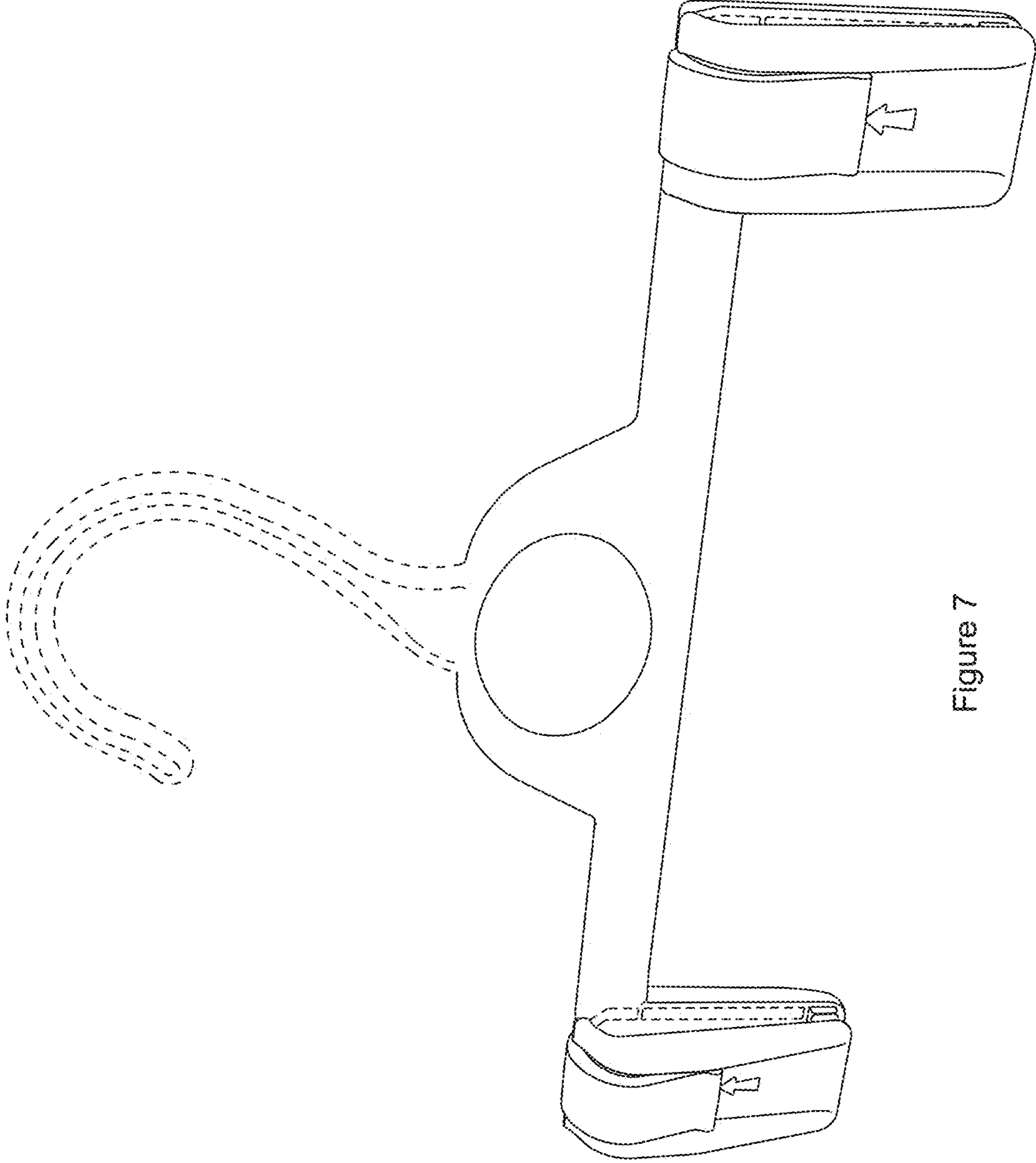


Figure 7