

US00D759982S

(12) **United States Design Patent**  
**Berger**

(10) **Patent No.:** **US D759,982 S**  
(45) **Date of Patent:** **\*\* Jun. 28, 2016**

- (54) **SCARF ORGANIZER**
- (71) Applicant: **Andy L Berger**, Woodridge, IL (US)
- (72) Inventor: **Andy L Berger**, Woodridge, IL (US)
- (\*\*) Term: **15 Years**
- (21) Appl. No.: **29/536,241**
- (22) Filed: **Aug. 14, 2015**
- (51) **LOC (10) Cl.** ..... **06-08**
- (52) **U.S. Cl.**  
USPC ..... **D6/317**
- (58) **Field of Classification Search**  
USPC ..... D6/315-328; 223/85-98; 211/10, 13.1,  
211/85.3, 113, 119  
CPC ..... A47G 25/28; A47G 25/38; A47G 25/14;  
A47G 25/442; A47G 25/483; A47G 25/485;  
A47G 25/4023; Y10S 223/04; A47F 5/0006  
See application file for complete search history.

- 6,070,773 A \* 6/2000 Pogoda ..... A47G 25/18  
223/88
- 6,123,238 A \* 9/2000 Dumplet ..... A47F 5/0006  
211/113
- D499,255 S \* 12/2004 Goodman ..... D6/317
- D566,405 S \* 4/2008 Belokin ..... D6/315
- 7,959,020 B2 \* 6/2011 Rosen ..... D06F 79/02  
211/106
- 2008/0087618 A1 \* 4/2008 Laney ..... A47G 25/10  
211/113

\* cited by examiner

*Primary Examiner* — Derrick Holland  
*Assistant Examiner* — Lauren Calve

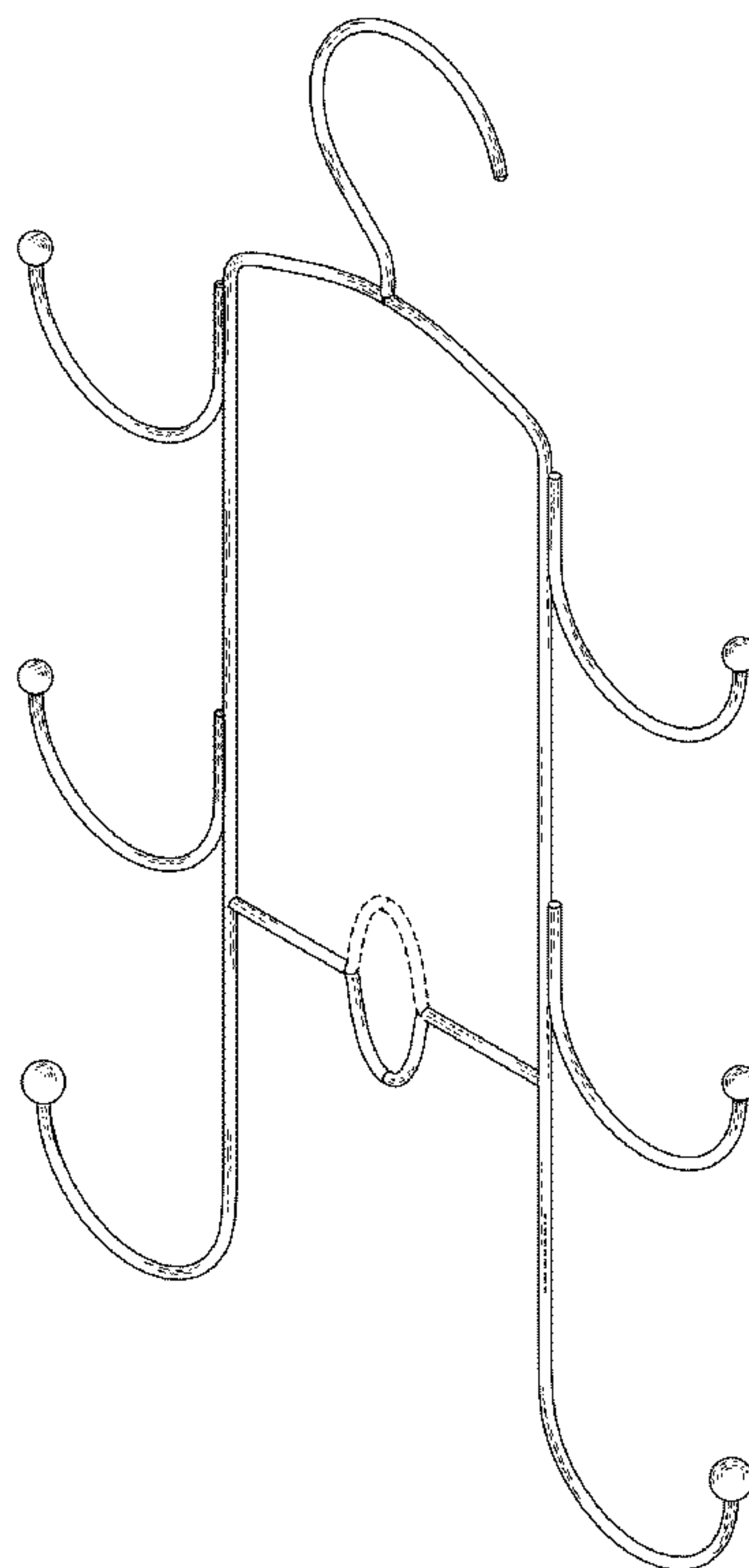
(57) **CLAIM**  
The ornamental design for a scarf organizer, as shown and described.

**DESCRIPTION**

FIG. 1 is a top isometric view of a scarf organizer showing my new design;  
FIG. 2 is a bottom isometric view thereof;  
FIG. 3 is a front view thereof;  
FIG. 4 is a rear view thereof;  
FIG. 5 is a left side view thereof;  
FIG. 6 is a right side view thereof;  
FIG. 7 is a top plan view thereof; and,  
FIG. 8 is a bottom plan view thereof.  
The broken lines shown represent unclaimed subject matter and form no part of the claimed design.

**1 Claim, 8 Drawing Sheets**

- (56) **References Cited**  
U.S. PATENT DOCUMENTS  
1,533,805 A \* 4/1925 Oliver ..... C25D 17/08  
204/297.06
- D162,261 S \* 2/1951 Tuma ..... 223/88
- D207,076 S \* 2/1967 Bertram ..... D6/315
- D242,414 S \* 11/1976 Salladay ..... D6/315
- 5,582,334 A \* 12/1996 Blazer ..... A47G 25/60  
223/85



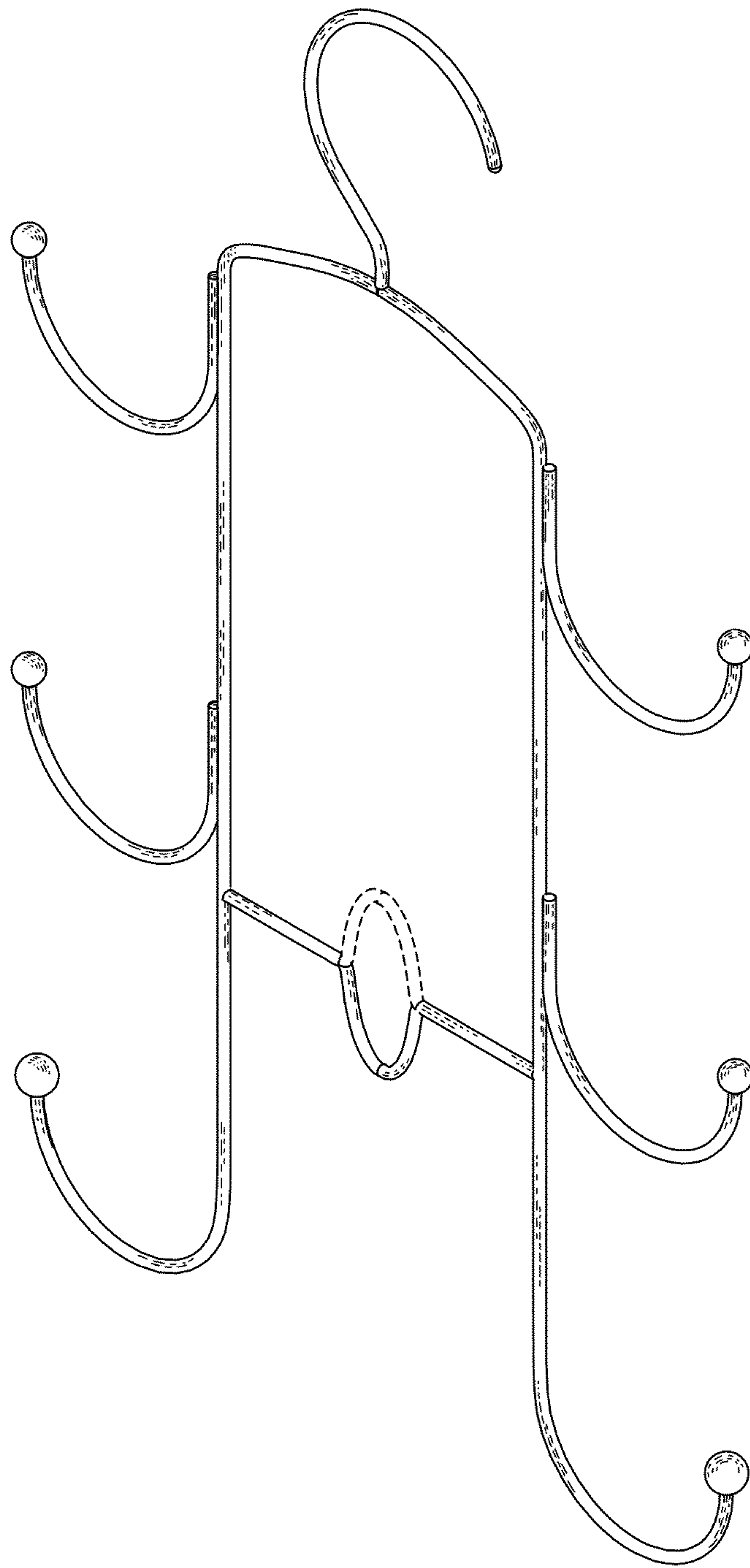


FIG. 1

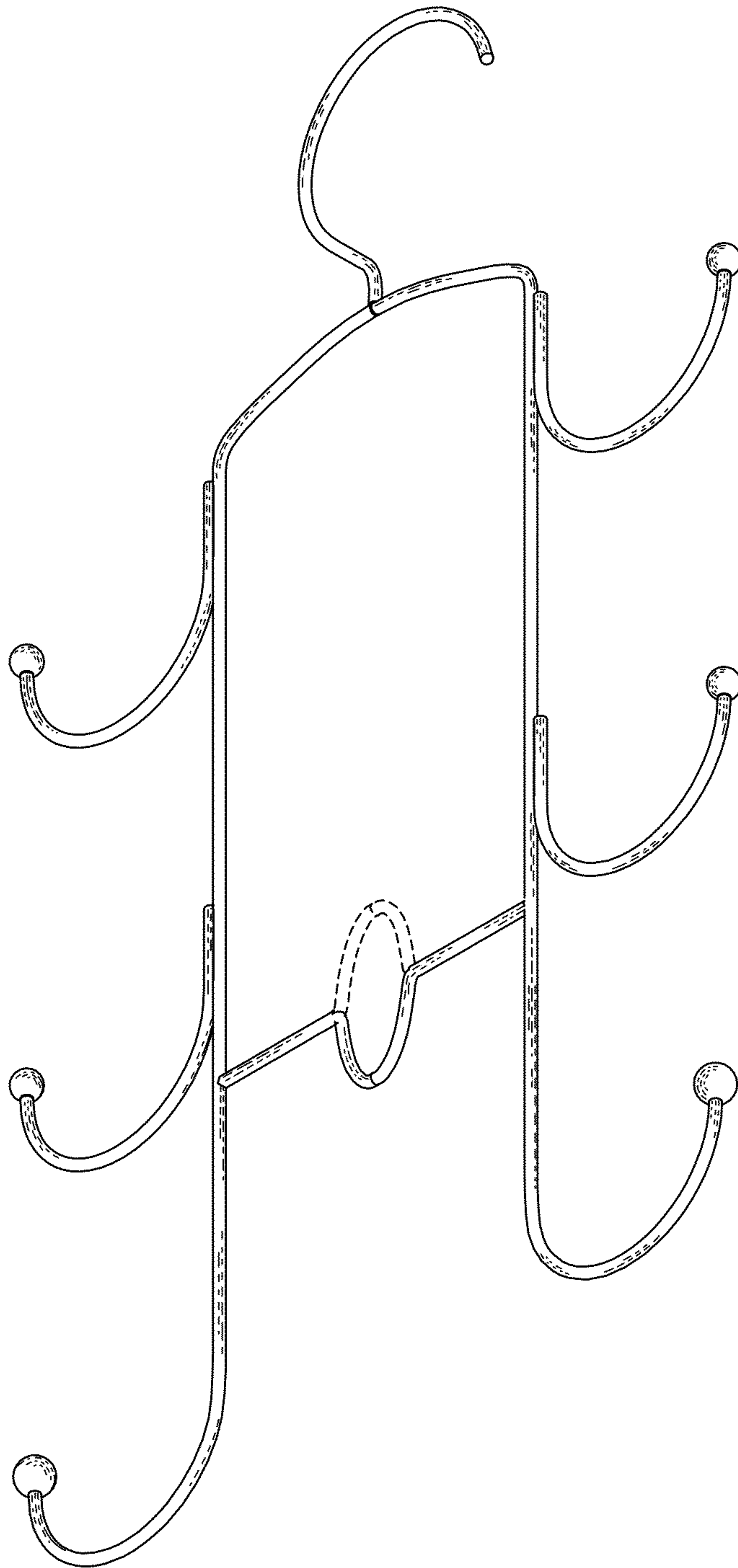


FIG. 2

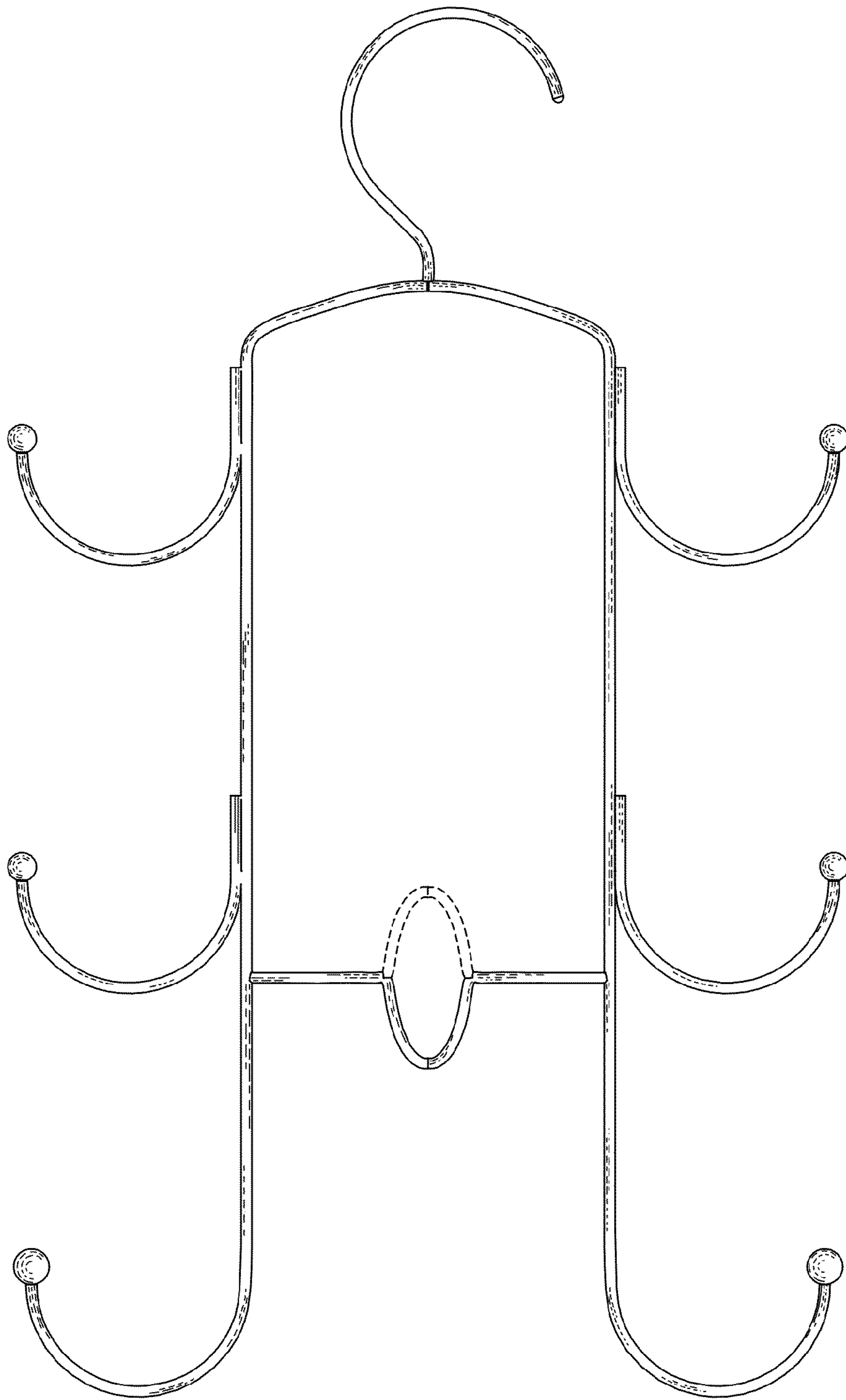


FIG. 3

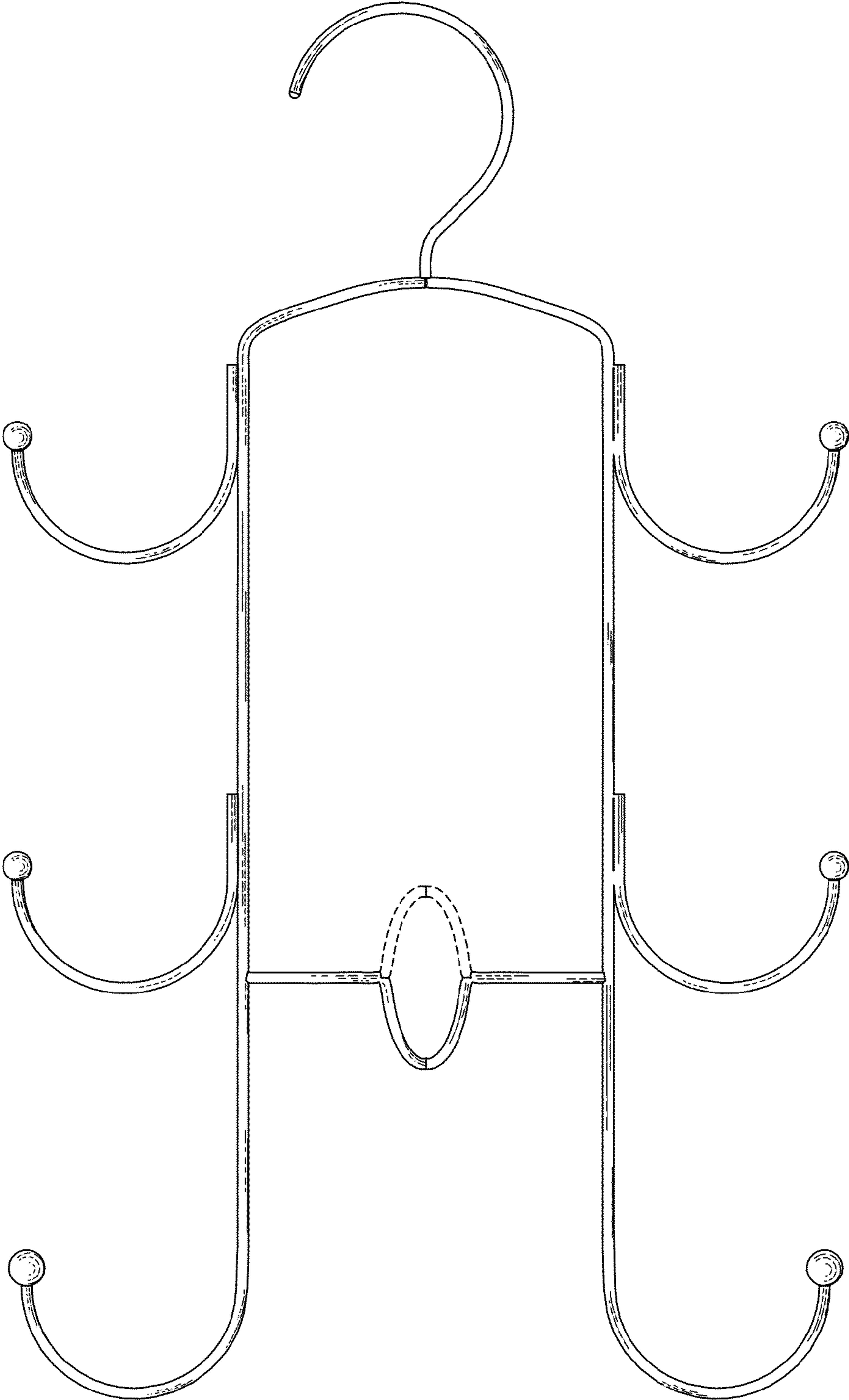


FIG. 4

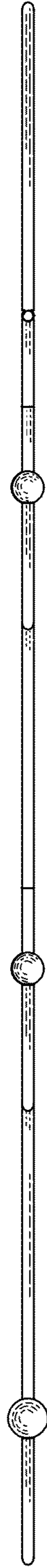


FIG. 5

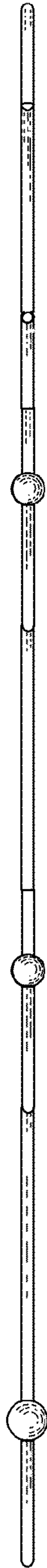


FIG. 6



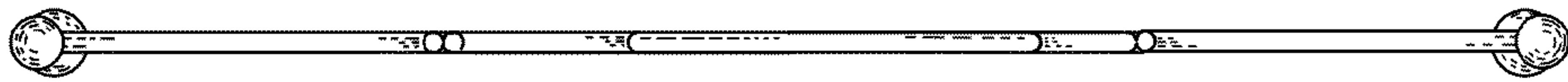


FIG. 7



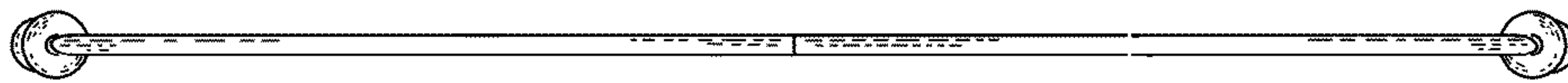


FIG. 8