

US00D759980S

(12) **United States Design Patent**  
**Toth**

(10) **Patent No.:** **US D759,980 S**  
(45) **Date of Patent:** **\*\* Jun. 28, 2016**

(54) **BLOCK FOR DISPLAYING IMAGE**

(71) Applicant: **Jason Allen Toth**, San Diego, CA (US)

(72) Inventor: **Jason Allen Toth**, San Diego, CA (US)

(\*\*) Term: **14 Years**

(21) Appl. No.: **29/499,133**

(22) Filed: **Aug. 12, 2014**

(51) **LOC (10) Cl.** ..... **06-07**

(52) **U.S. Cl.**

USPC ..... **D6/300**

(58) **Field of Classification Search**

USPC ..... D6/300-314; D21/484-486, 489-495,  
D21/499, 500-505; D15/1-6; 446/69, 85,  
446/102-128; 434/208, 259, 403; 273/153,  
273/156, 160; 261/23, 2; 123/336; D12/400  
CPC ..... A63H 33/086; A63H 33/10; A63H 33/04;  
A47G 1/06; A47G 1/065; A47G 1/08; A47G  
1/16; G09F 5/00

See application file for complete search history.

(56) **References Cited**

**U.S. PATENT DOCUMENTS**

- 3,580,467 A \* 5/1971 Pieszak ..... B65D 5/503  
206/319
- D239,980 S \* 5/1976 Parson ..... D6/300
- 4,043,477 A \* 8/1977 Deese ..... G09F 5/00  
206/0.83
- 4,115,938 A 9/1978 Belmuth et al.
- D249,976 S \* 10/1978 Gronert ..... D21/491
- 4,744,780 A \* 5/1988 Volpe ..... A63H 33/086  
403/300
- 4,912,863 A 4/1990 Harvey
- D311,935 S \* 11/1990 Andersen ..... D21/487
- 5,192,077 A 3/1993 Caicedo
- D371,138 S \* 6/1996 Waskiewicz ..... 384/428
- 5,788,555 A \* 8/1998 Glynn ..... A63H 33/10  
403/263

- 5,810,639 A \* 9/1998 Liu ..... A63H 33/10  
446/102
- 5,871,384 A 2/1999 Kichijo et al.
- D422,035 S \* 3/2000 Cyrus ..... D21/491
- D442,197 S \* 5/2001 Willet ..... D15/143
- D445,262 S \* 7/2001 Rowan ..... D6/300
- 6,467,205 B1 10/2002 Flagg et al.
- D508,300 S \* 8/2005 O'Dell ..... D34/38
- D551,152 S \* 9/2007 Funk ..... D12/217
- 7,363,739 B2 4/2008 Dalsey et al.

(Continued)

**OTHER PUBLICATIONS**

3D Printer Mold, available Jun. 27, 2012, [online], [site visited Feb. 23, 2016]. Available from internet, <URL: <http://www.instructables.com/id/Molds-directly-from-a-3d-printer-to-an-injection/>>.\*

(Continued)

*Primary Examiner* — Cathron Brooks

*Assistant Examiner* — Teddy Falloway

(74) *Attorney, Agent, or Firm* — Procopio Cory Hargreaves and Savitch LLP

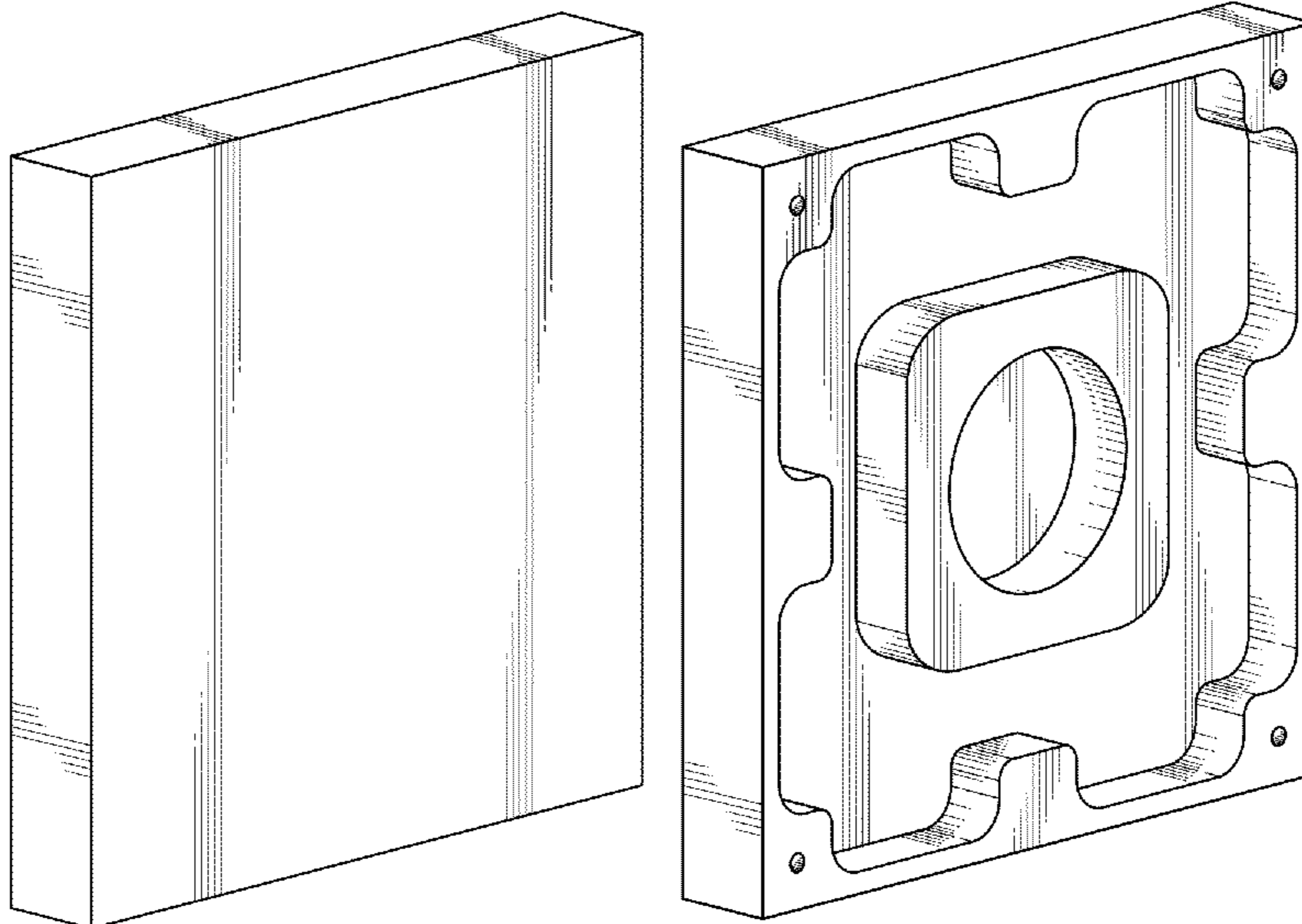
(57) **CLAIM**

The ornamental design for a block for displaying image, as shown and described.

**DESCRIPTION**

FIG. 1 is a front perspective view of a block for displaying image;  
FIG. 2 is a rear perspective view of the image block;  
FIG. 3 is a front elevational view of the image block;  
FIG. 4 is a rear elevational view of the image block;  
FIG. 5 is a right elevational view of the image block;  
FIG. 6 is a left elevational view of the image block;  
FIG. 7 is a top plan view of the image block; and,  
FIG. 8 is a bottom plan view of the block for displaying image.

**1 Claim, 3 Drawing Sheets**



(56)

**References Cited**

U.S. PATENT DOCUMENTS

D601,815 S \* 10/2009 Demcher ..... D6/309  
 D617,396 S \* 6/2010 Nielsen ..... D21/500  
 8,109,803 B2 2/2012 Kichijo et al.  
 8,302,339 B2 11/2012 Pender et al.  
 8,333,026 B2 12/2012 Southard  
 D716,879 S \* 11/2014 Norman ..... D21/486  
 D748,741 S \* 2/2016 Simonds ..... D21/499  
 9,265,365 B2 \* 2/2016 Durant ..... A47G 1/06  
 2003/0221650 A1 \* 12/2003 Shaw ..... F02M 1/16  
 123/179.11  
 2006/0201039 A1 9/2006 Gilliland  
 2011/0277364 A1 11/2011 Smaly et al.  
 2012/0015583 A1 \* 1/2012 Chen ..... A63H 33/086  
 446/124

2013/0330999 A1 \* 12/2013 Ryaa ..... A63H 33/042  
 446/124  
 2014/0106108 A1 \* 4/2014 Lin ..... A63H 33/082  
 428/58  
 2015/0342373 A1 \* 12/2015 Toth ..... A47G 1/16  
 428/58

OTHER PUBLICATIONS

2X2 Lego Tile, available Apr. 4, 2015, [online], [site visited Feb. 23, 2016]. Available from internet, <URL: [http://www.amazon.com/Medium-Smooth-Finishing-MODULAR-BUILDINGS/dp/B00LUIM9R8/ref=pd\\_sbs\\_21\\_1?ie=UTF8&dpID=51M4smRawiL&dpSrc=sims&preST=\\_AC\\_UL160\\_SR160%2C160\\_&refRID=0G95GDW21GZC7ZJ6S7Y3](http://www.amazon.com/Medium-Smooth-Finishing-MODULAR-BUILDINGS/dp/B00LUIM9R8/ref=pd_sbs_21_1?ie=UTF8&dpID=51M4smRawiL&dpSrc=sims&preST=_AC_UL160_SR160%2C160_&refRID=0G95GDW21GZC7ZJ6S7Y3)>.\*

\* cited by examiner

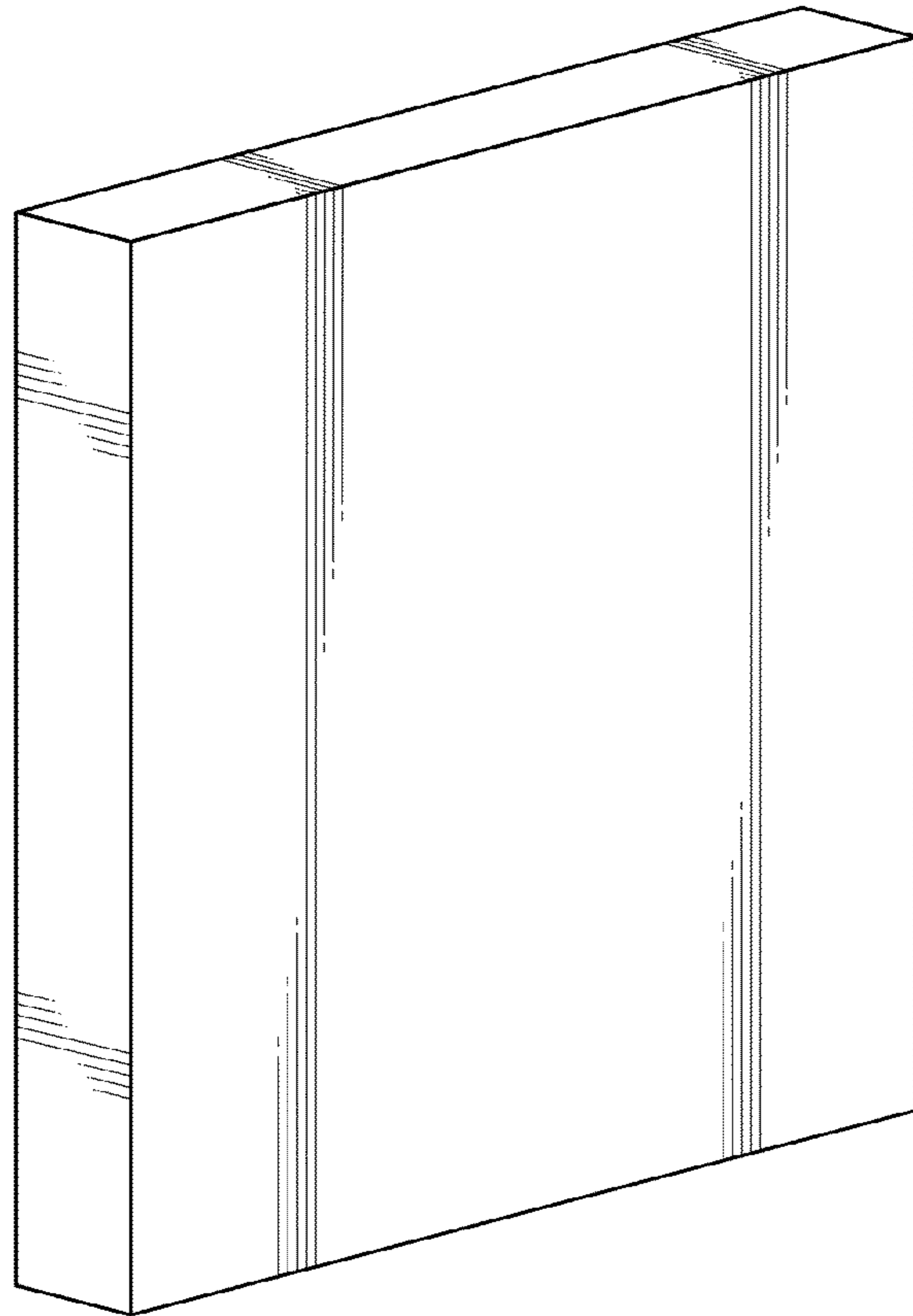


FIG. 1

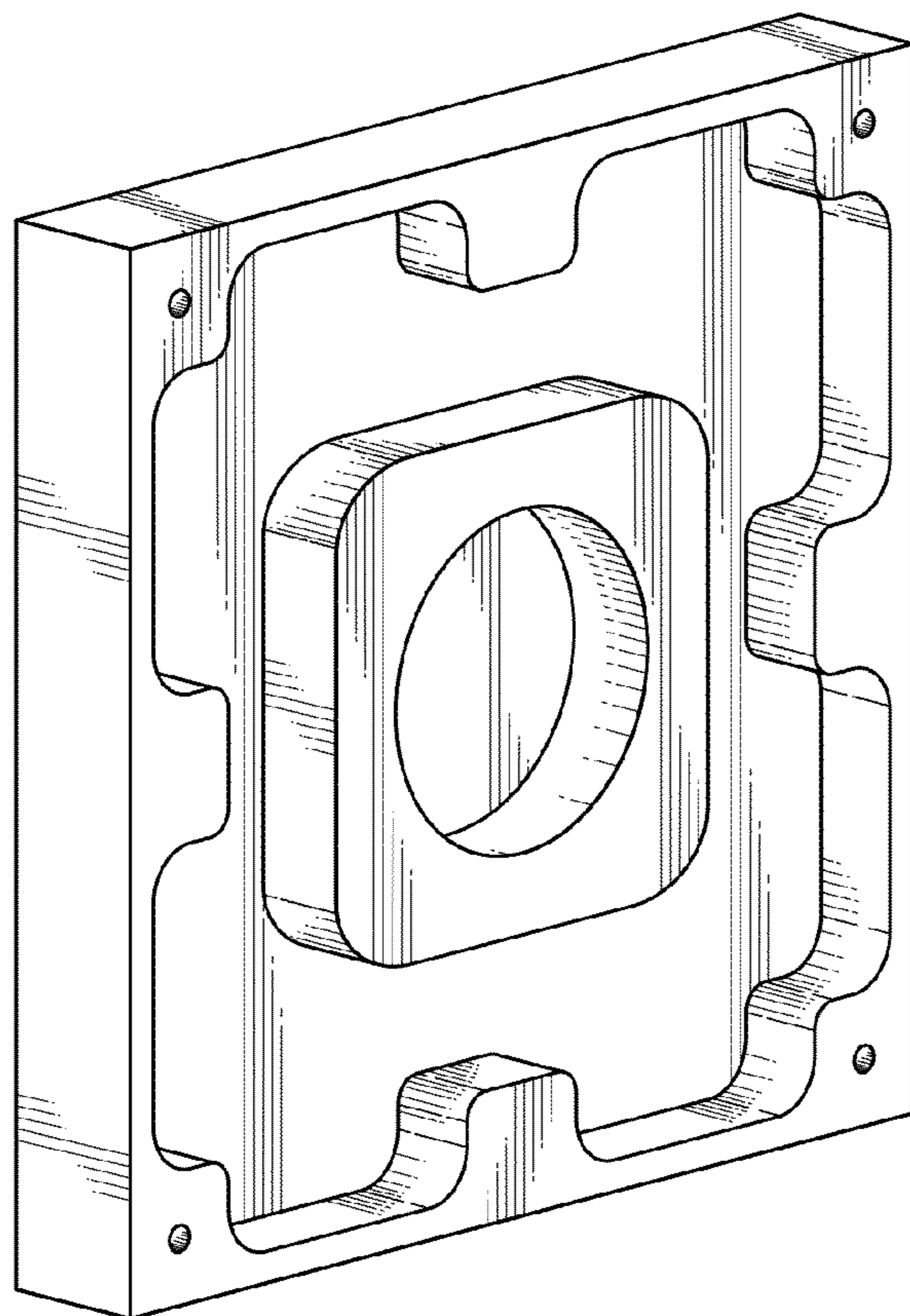


FIG. 2



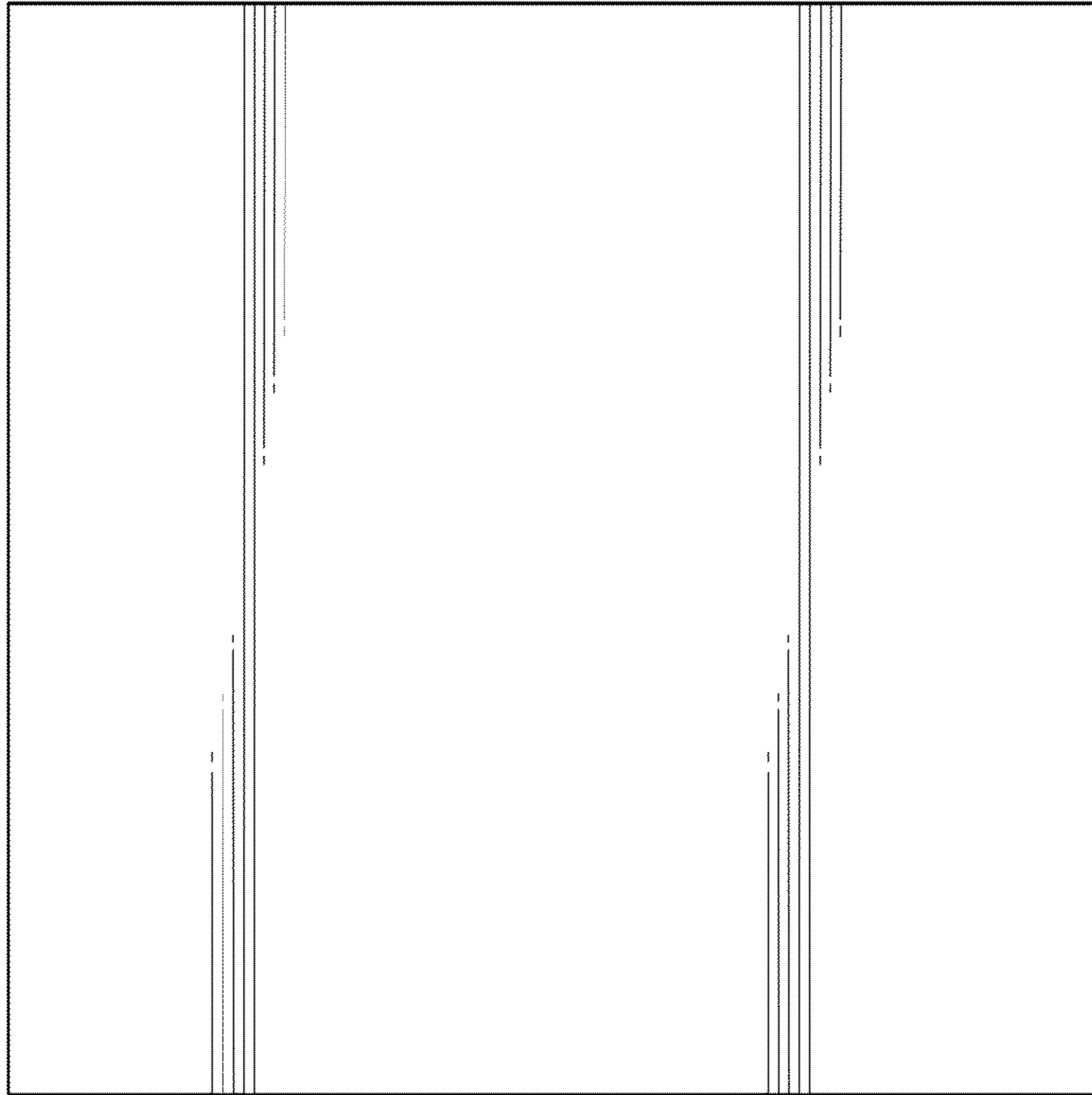


FIG. 3

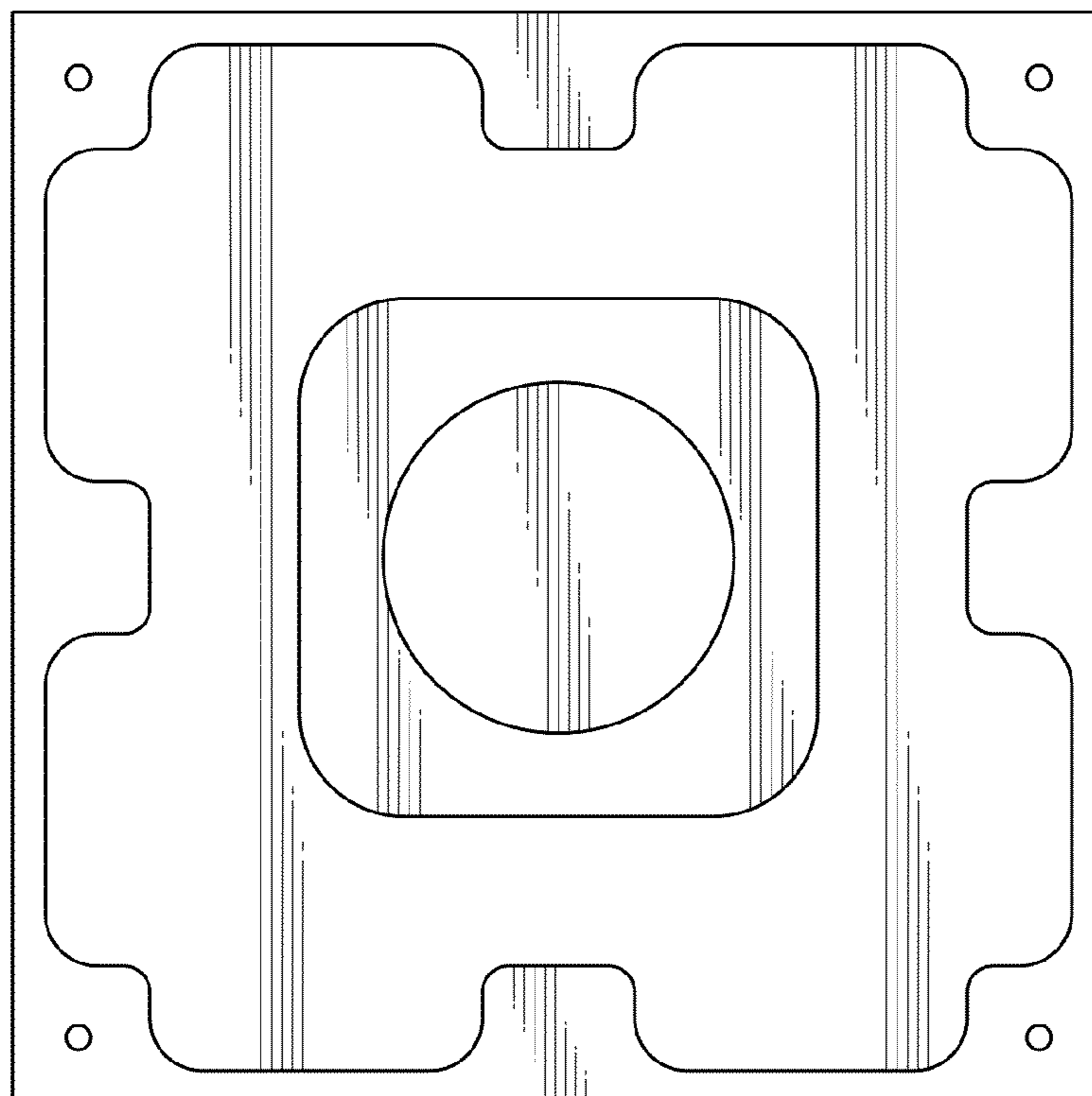


FIG. 4

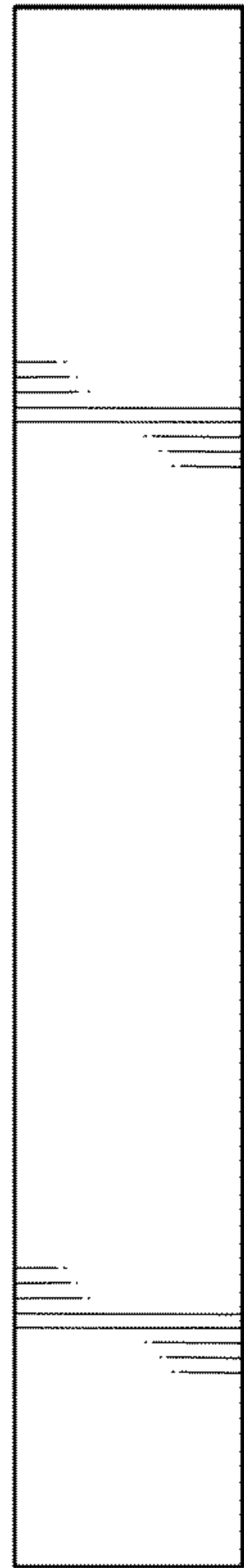


FIG. 5

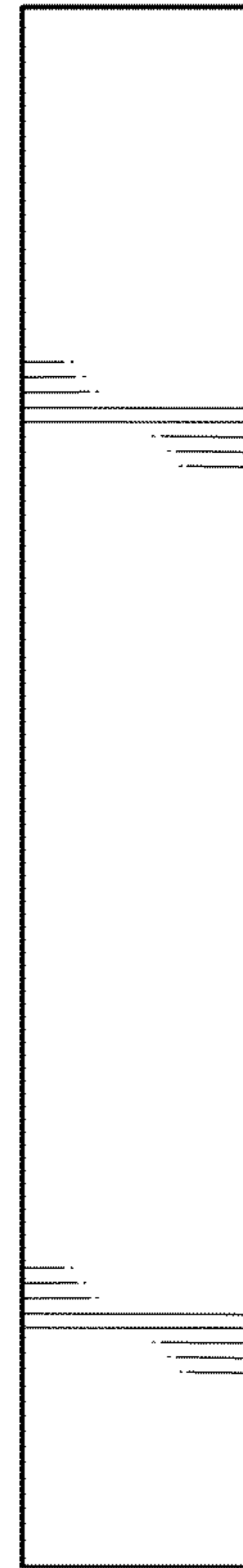


FIG. 6

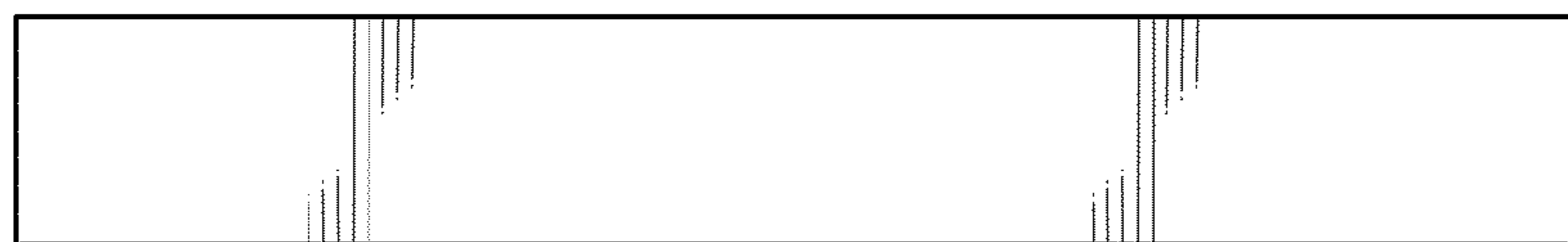


FIG. 7



FIG. 8