



US00D759975S

(12) **United States Design Patent**
Zozin

(10) **Patent No.:** **US D759,975 S**

(45) **Date of Patent:** **** Jun. 28, 2016**

(54) **STORAGE CONTAINER WITH HANDLE**

(71) Applicant: **BS SYSTEMS GMBH & CO. KG,**
Zusmarshausen (DE)

(72) Inventor: **Frank Zozin,** Augsburg (DE)

(73) Assignee: **BS SYSTEMS GMBH & CO. KG,**
Zusmarshausen (DE)

(**) Term: **14 Years**

(21) Appl. No.: **29/477,601**

(22) Filed: **Dec. 24, 2013**

(30) **Foreign Application Priority Data**

Jun. 26, 2013	(EM)	002263087-0001
Jun. 26, 2013	(EM)	002263087-0002
Jun. 26, 2013	(EM)	002263087-0003
Jun. 26, 2013	(EM)	002263087-0004
Jun. 26, 2013	(EM)	002263087-0005
Jun. 26, 2013	(EM)	002263087-0006

(51) **LOC (10) Cl.** **03-01**

(52) **U.S. Cl.**
USPC **D3/304**

(58) **Field of Classification Search**
USPC D3/304, 307-308, 315, 201; D9/424,
D9/432; 206/503-507, 508-51, 514, 515,
206/517, 557; 220/4.33, 1.5, 6-7, 509;
D7/602
CPC B65D 5/00; B65D 2/003
See application file for complete search history.

(56) **References Cited**

U.S. PATENT DOCUMENTS

D292,634 S *	11/1987	Chabot	D3/307
D355,764 S *	2/1995	Apps	D3/304
D356,211 S *	3/1995	Apps et al.	D3/304
D356,679 S *	3/1995	Apps et al.	D3/304
D361,663 S *	8/1995	Kalin	D3/314
5,445,273 A *	8/1995	Apps	206/505
5,495,945 A *	3/1996	Apps et al.	206/519

5,979,654 A *	11/1999	Apps	206/507
D446,015 S *	8/2001	Apps	D3/304
D448,567 S *	10/2001	Buss	D3/310
D452,613 S *	1/2002	Hammett	D3/304
D462,522 S *	9/2002	Apps et al.	D34/38
D478,421 S *	8/2003	Overholt et al.	D3/304
D483,946 S *	12/2003	Koefeldt	D3/304
D487,634 S *	3/2004	Apps et al.	D3/313
D524,651 S *	7/2006	Perret	D9/456
D539,541 S *	4/2007	Stahl	D3/304
D557,011 S *	12/2007	Fernandez et al.	D3/307
D598,684 S *	8/2009	Stahl	D6/511
8,186,534 B2 *	5/2012	Apps	220/515
D688,869 S *	9/2013	Lindstrom	D3/311
8,522,967 B2 *	9/2013	Lindstrom	206/203

* cited by examiner

Primary Examiner — Kelley Donnelly

(74) *Attorney, Agent, or Firm* — Paul D. Bianco; Lourdes Perez; Fleit Gibbons Gutman Bongini & Bianco PL

(57) **CLAIM**

The ornamental design for a storage container with handle, as shown and described.

DESCRIPTION

FIG. 1 is a front, top, and left side perspective view of a detached upper portion of a storage container with handle according to the present invention.

FIG. 2 is a rear elevational view of the detached upper portion of FIG. 1.

FIG. 3 is a right side elevational view of the detached upper portion of FIG. 1.

FIG. 4 is a top plan view of the detached upper portion of FIG. 1.

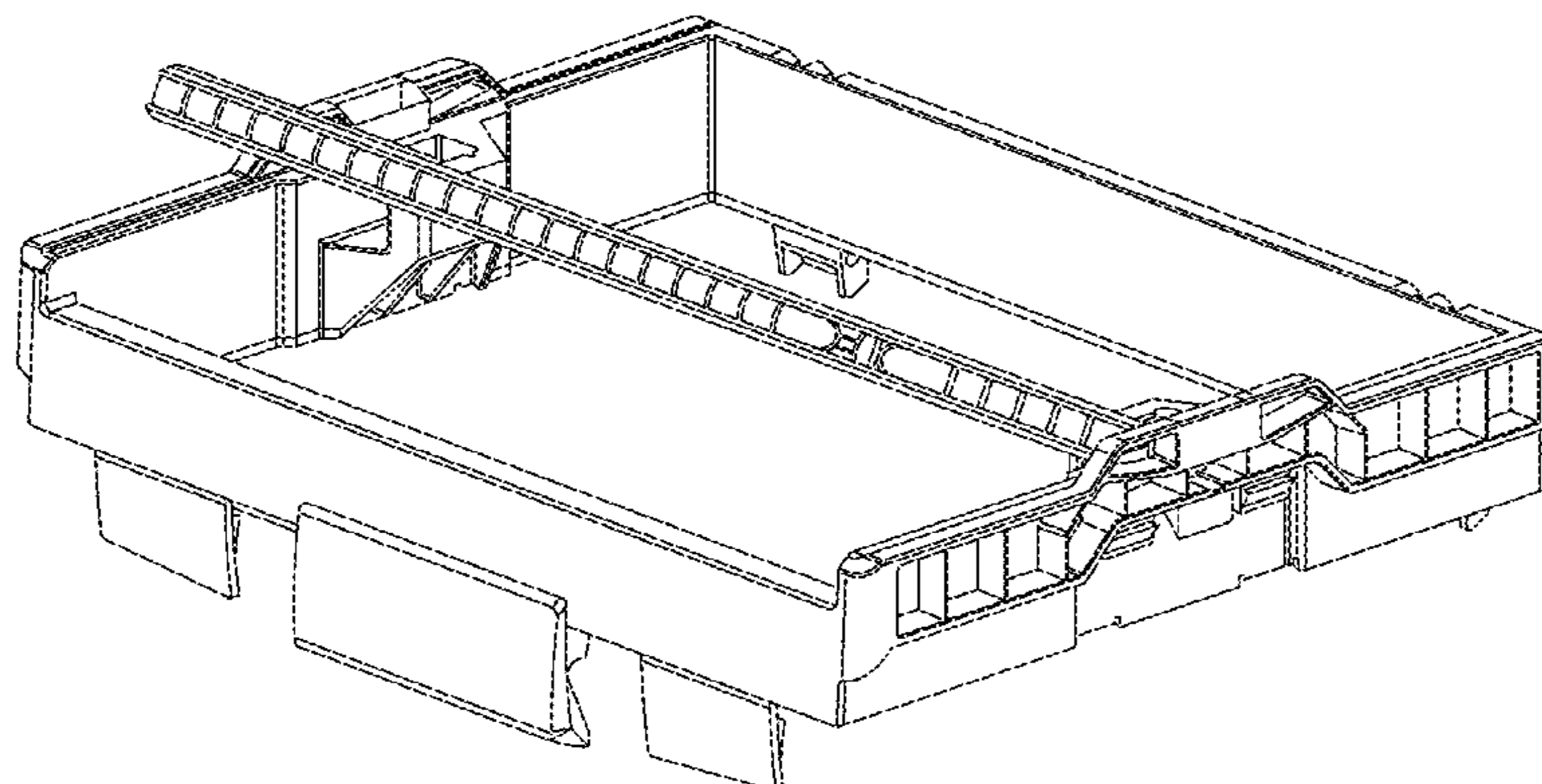
FIG. 5 is a left side elevational view of the detached upper portion of FIG. 1.

FIG. 6 is a bottom plan view of the detached upper portion of FIG. 1; and,

FIG. 7 is a front elevational view of the detached upper portion of FIG. 1.

The trademark SORTIMO® shown on the handle in various views is disclaimed and forms no part of the claimed design.

1 Claim, 7 Drawing Sheets



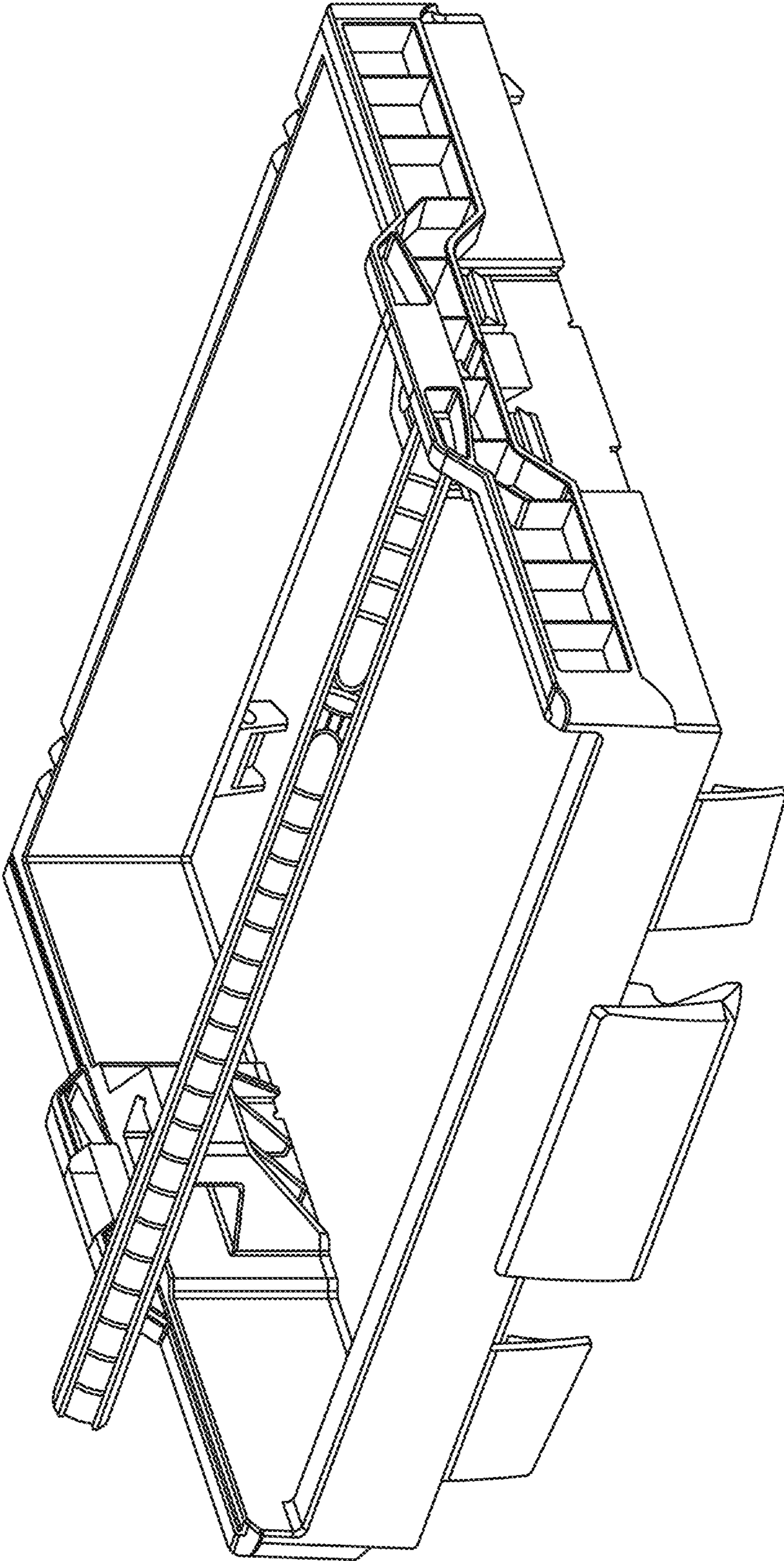


FIG. 1

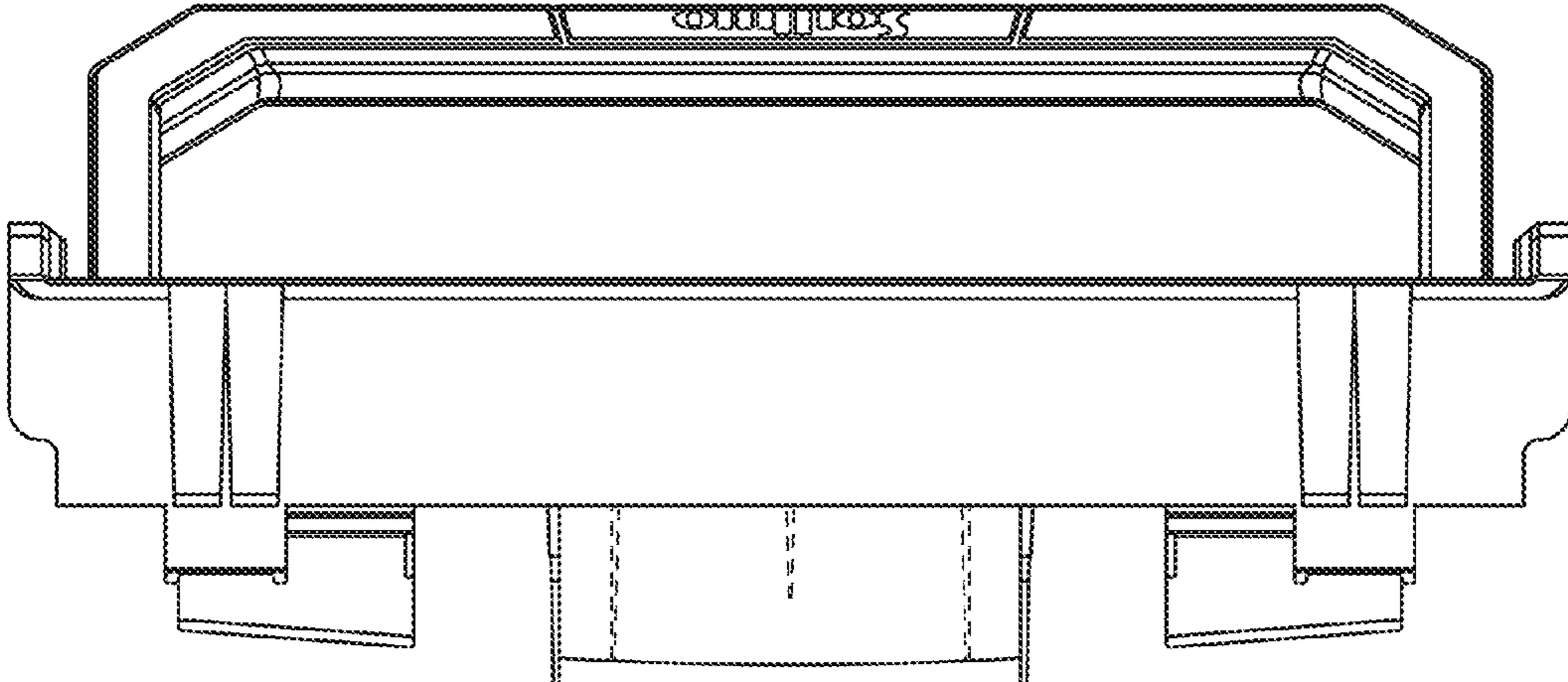


FIG. 2

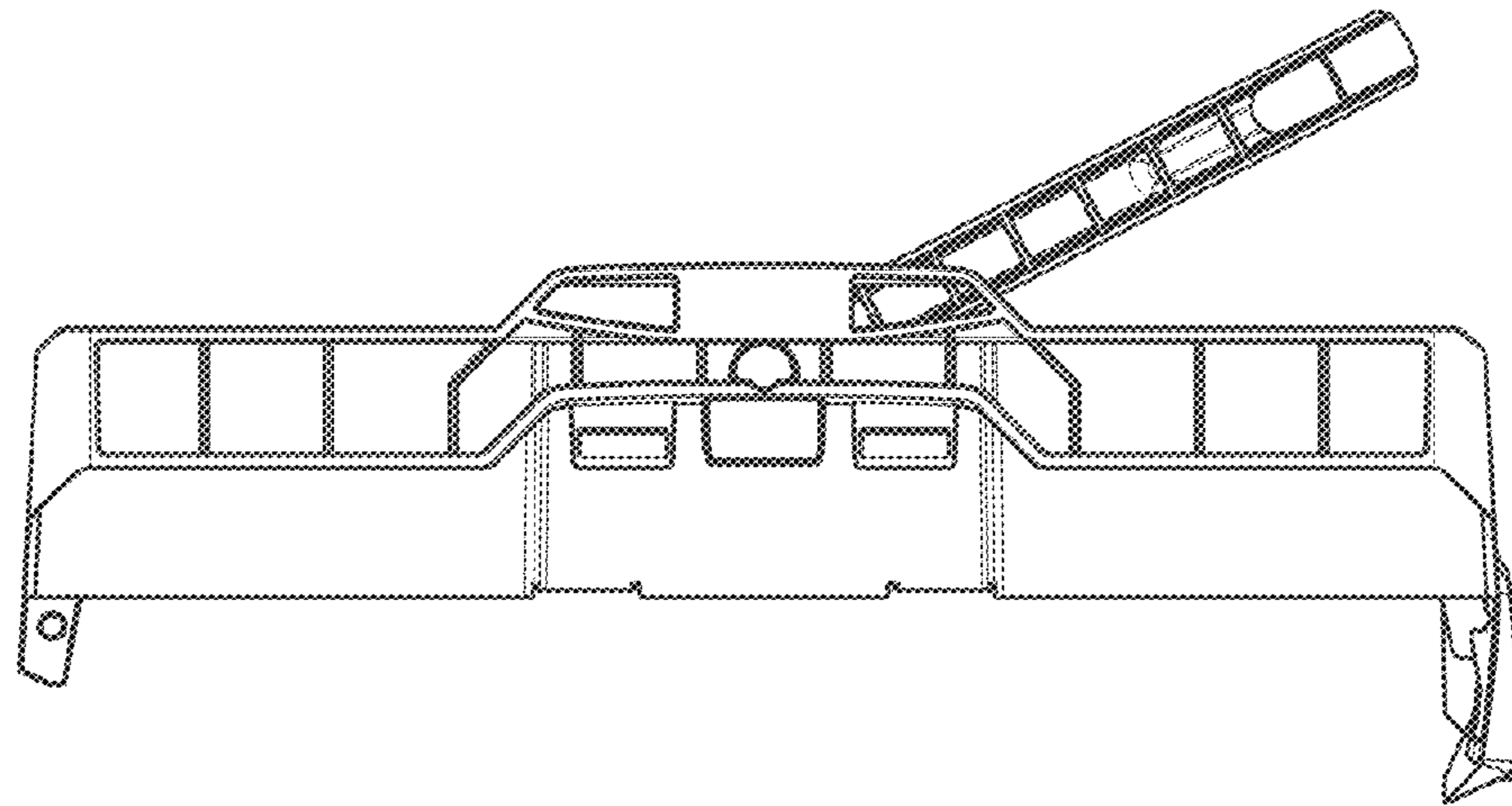


FIG. 3

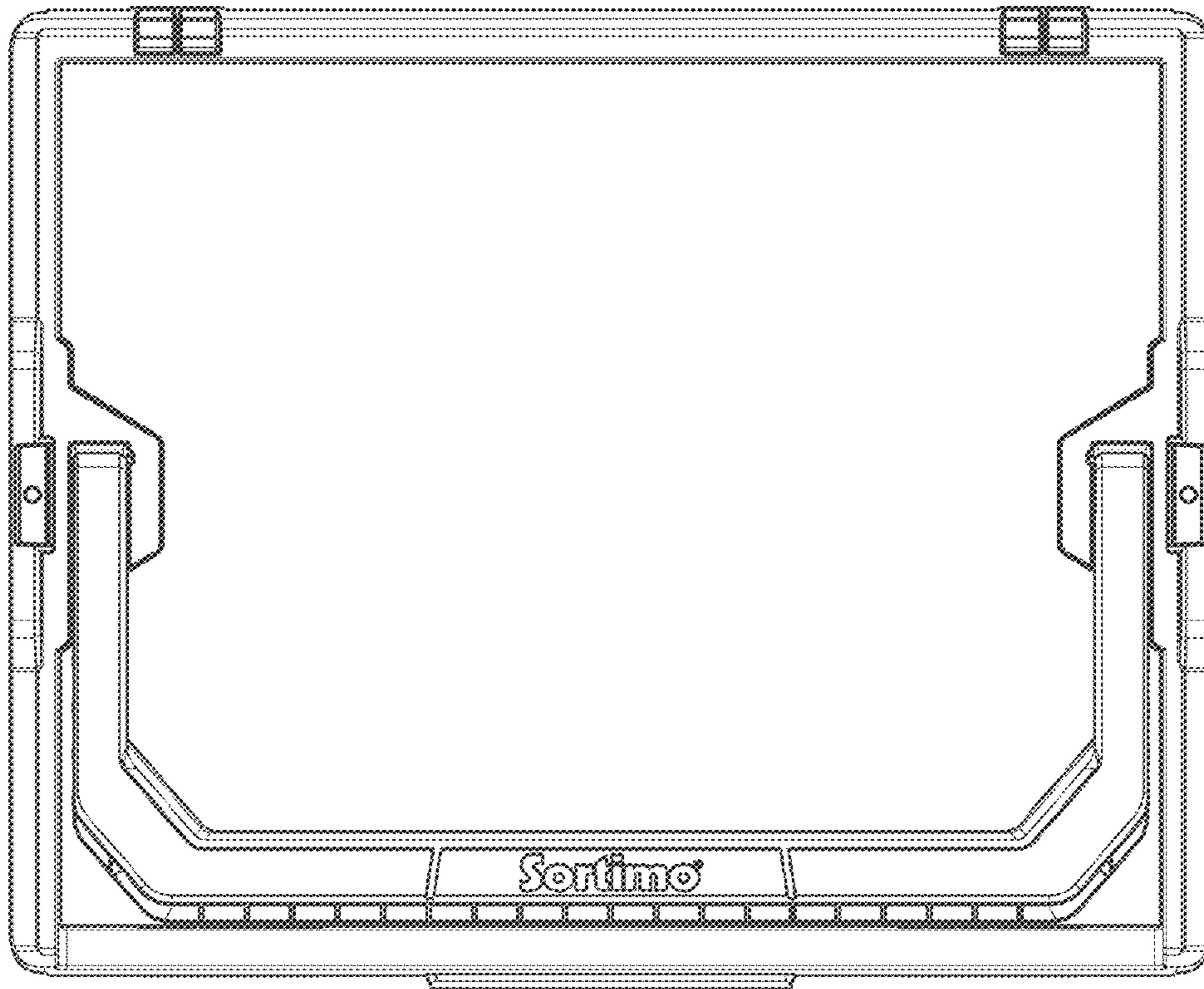


FIG. 4

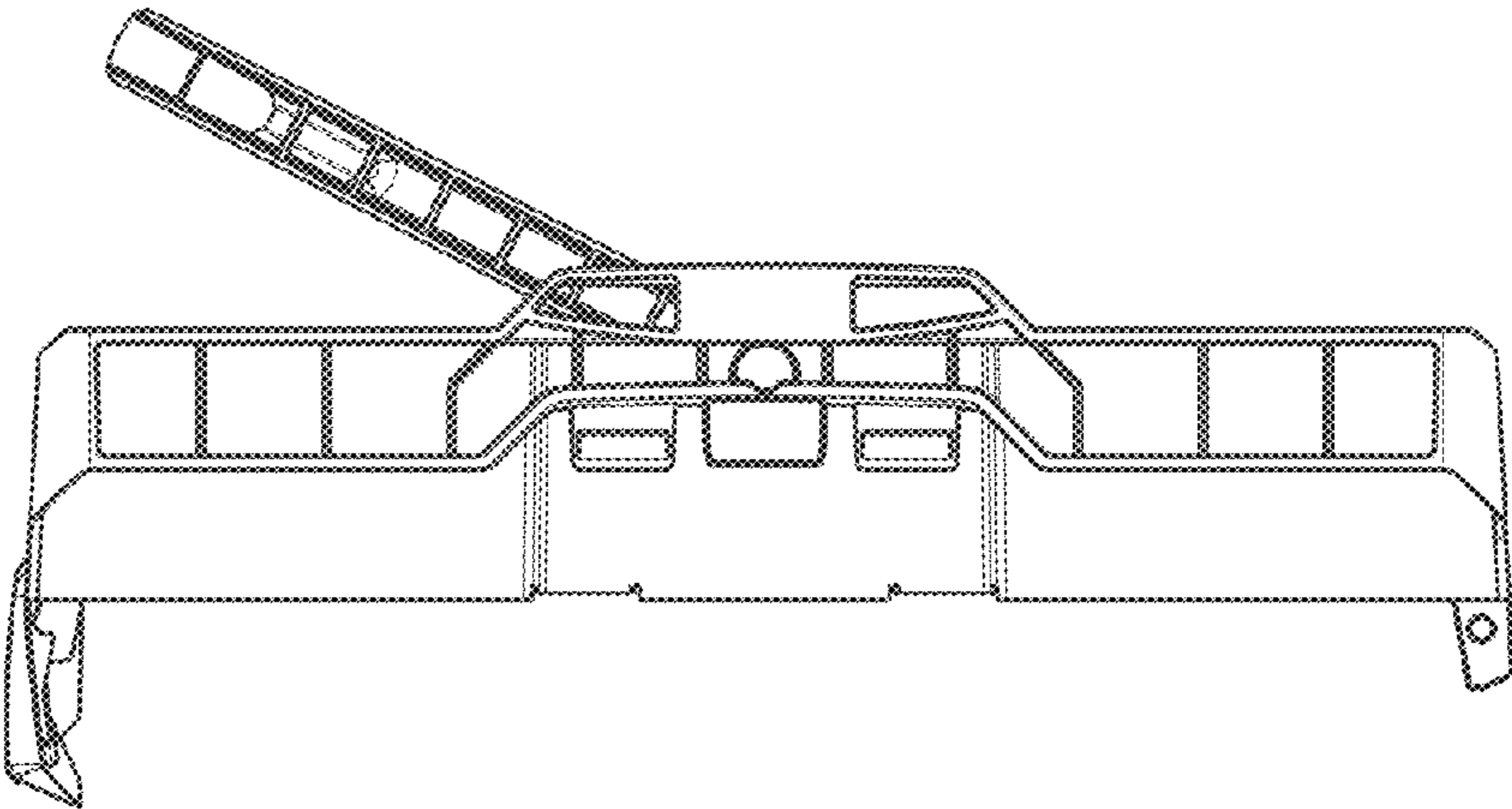


FIG. 5

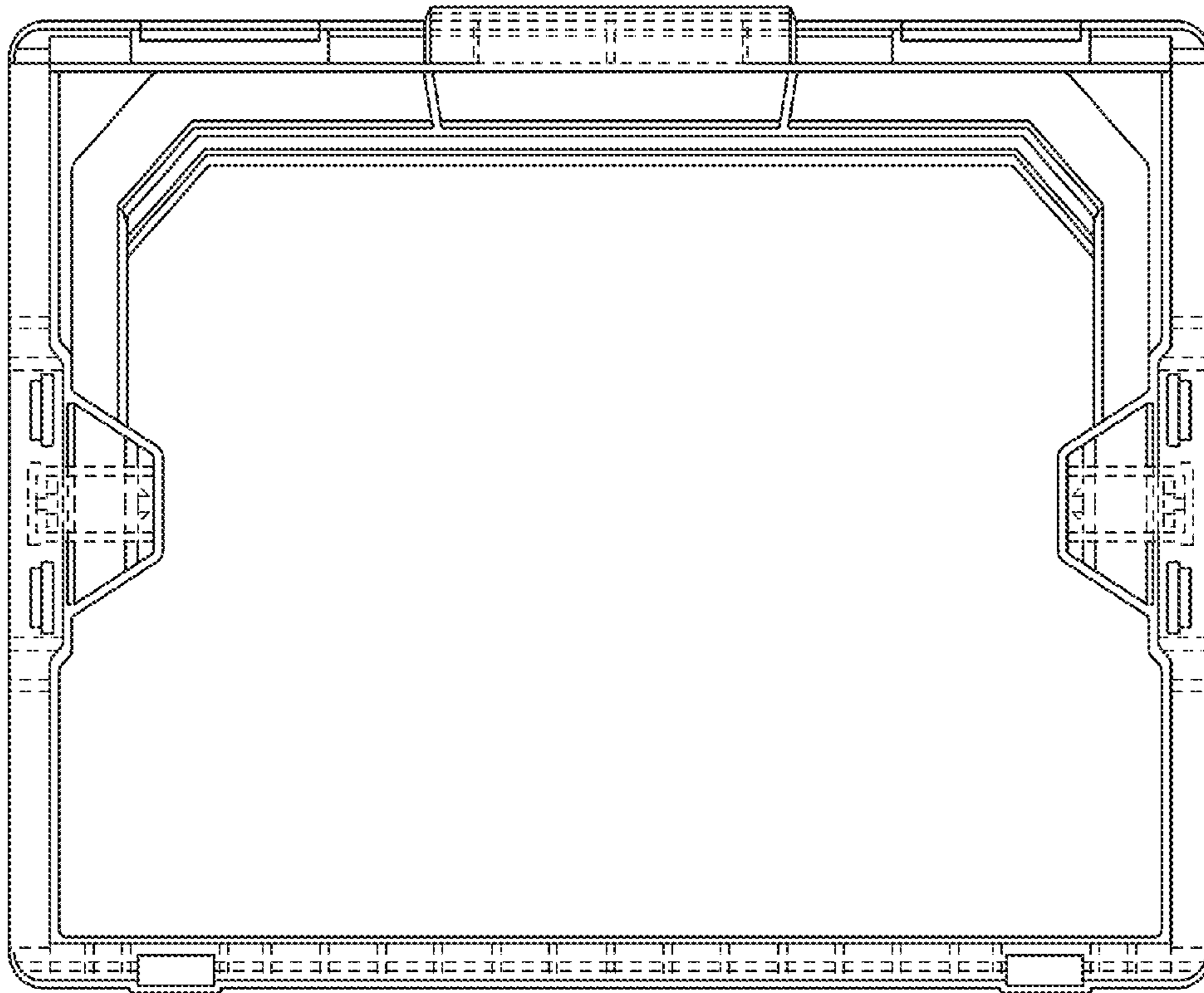


FIG. 6

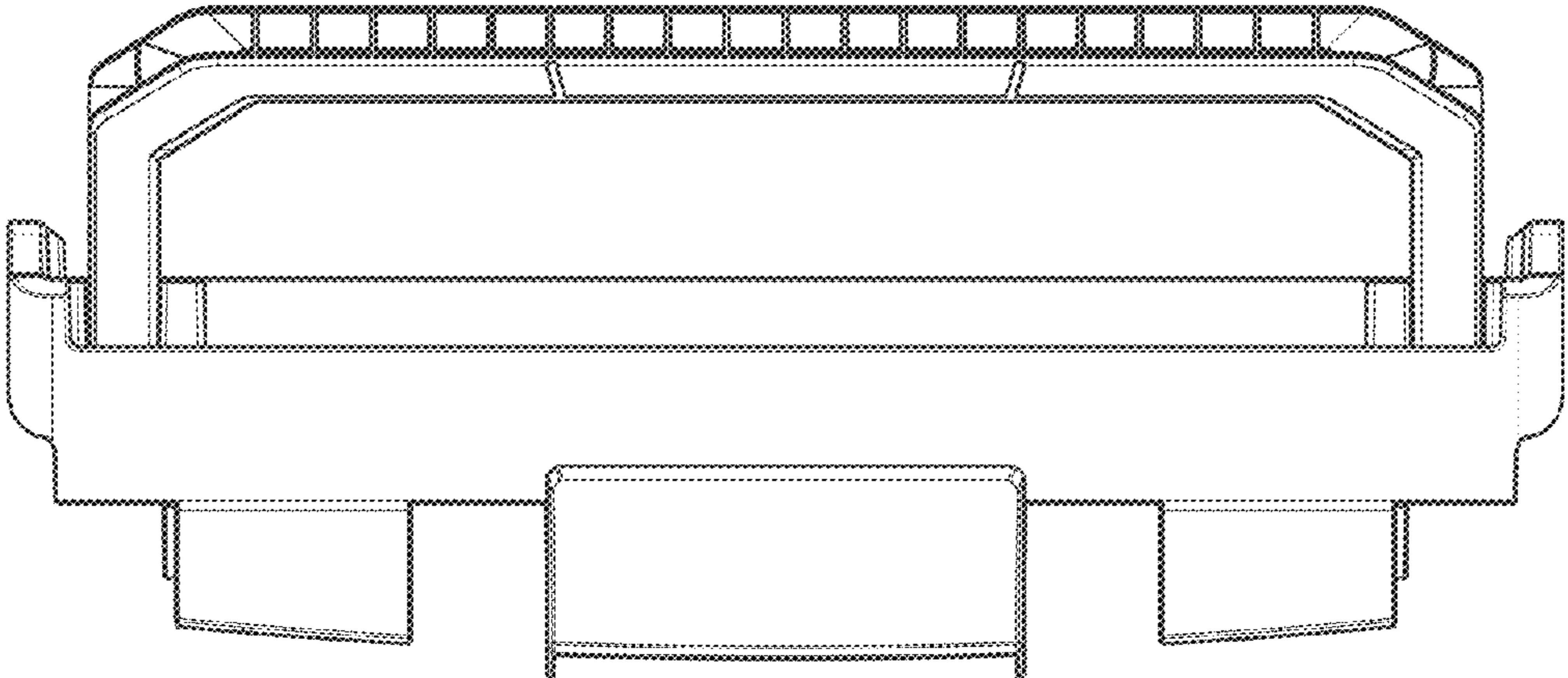


FIG. 7