



US00D759973S

(12) **United States Design Patent**  
**Miksovsky et al.**

(10) **Patent No.:** **US D759,973 S**  
(45) **Date of Patent:** **\*\* Jun. 28, 2016**

(54) **TOTE BAG**

(71) Applicant: **humangear, Inc.**, San Francisco, CA (US)

(72) Inventors: **Christopher A. Miksovsky**, San Francisco, CA (US); **Adam Reineck**, San Francisco, CA (US)

(73) Assignee: **humangear, Inc.**, San Francisco, CA (US)

(\*\*) Term: **14 Years**

(21) Appl. No.: **29/508,848**

(22) Filed: **Nov. 12, 2014**

(51) **LOC (10) Cl.** ..... **03-01**

(52) **U.S. Cl.**  
USPC ..... **D3/301; D3/226**

(58) **Field of Classification Search**  
USPC ..... D3/201, 205–206, 232–234, 226, 239, D3/242, 245, 247–252, 301, 303, 323, D3/900; 224/191, 195, 236, 240, 676, 682; 383/33, 97, 905; 190/900; D30/162; 150/154; 119/795; 220/9.2; 206/233; 294/1.3, 146

CPC ..... A45C 1/02; A45C 1/024; A45C 3/02; A45C 3/08; A45C 15/00; A45F 5/00; A01K 5/0114; A01K 27/006; A01K 27/008  
See application file for complete search history.

(56) **References Cited**

**U.S. PATENT DOCUMENTS**

3,126,933 A \* 3/1964 Mason et al. .... A01K 5/0114  
150/154  
D249,593 S \* 9/1978 Glaser ..... D3/245

(Continued)

**OTHER PUBLICATIONS**

Guardian Gear Terylene Dog Training Treat Bag, [http://www.amazon.com/gp/product/B001TH6Q1K/ref=oh\\_aui\\_search\\_detailpage?ie=UTF8&psc=1](http://www.amazon.com/gp/product/B001TH6Q1K/ref=oh_aui_search_detailpage?ie=UTF8&psc=1), downloaded on Nov. 11, 2014.

(Continued)

*Primary Examiner* — Catheri Oliver-Garcia

(74) *Attorney, Agent, or Firm* — Beyer Law Group LLP

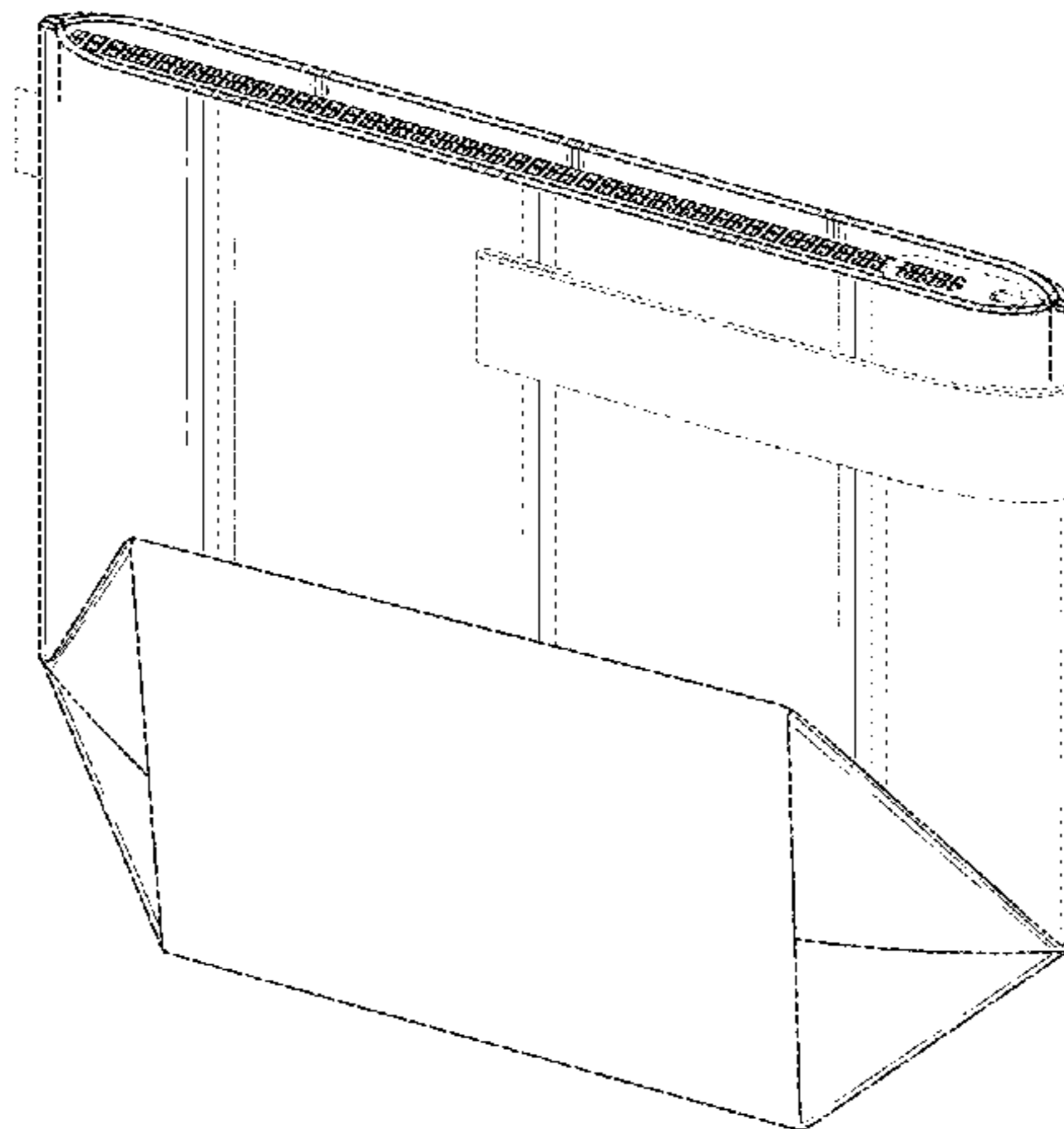
(57) **CLAIM**

We claim the ornamental design for the tote bag, as shown and described.

**DESCRIPTION**

FIG. 1 is a front perspective view of a tote bag in accordance with the present design, in a folded state; FIG. 2 is a front elevational view thereof; FIG. 3 is a rear elevational view thereof; FIG. 4 is a left side elevational view thereof; FIG. 5 is a right side elevational view thereof; FIG. 6 is a top plan view thereof with the zipper closed; and FIG. 7 is a bottom plan view thereof. FIG. 8 is a front elevational view of the tote bag in the folded state with the strap in an extended position; FIG. 9 is a front elevational view of the tote bag in the folded state with the strap in a looped position; FIG. 10 is a perspective view of the tote bag in an open position; FIG. 11 is a front elevational view of the tote bag in the open position of FIG. 10; FIG. 12 is a rear elevational view of the tote bag in the open position of FIG. 10; FIG. 13 is a left side elevational view of the tote bag in the open position of FIG. 10; FIG. 14 is a right side elevational view of the tote bag in the open position of FIG. 10; FIG. 15 is a top plan view of the tote bag in the open position of FIG. 10; and, FIG. 16 is a bottom plan view of the tote bag in the open position of FIG. 10. The zipper pull, the strap and other features shown in broken lines are for illustrative purposes only and form no part of the claimed design. The bag is formed from fabric and may optionally include pockets (not claimed) in the inner pouch.

**1 Claim, 14 Drawing Sheets**



(56)

**References Cited**

U.S. PATENT DOCUMENTS

D292,645 S \* 11/1987 Young ..... D3/245  
D388,250 S \* 12/1997 Robinson ..... D3/232  
5,718,192 A \* 2/1998 Sebastian ..... A01K 27/008  
119/795  
D403,159 S \* 12/1998 Bellechili ..... D3/232  
D453,621 S \* 2/2002 Chapelier ..... D3/252  
D621,610 S \* 8/2010 Parsley ..... D3/232

D724,843 S \* 3/2015 Abbott ..... D3/301  
D751,815 S \* 3/2016 Pedrazzi ..... D3/245

OTHER PUBLICATIONS

Kuvert Clip Bag, [http://www.authentic.de/shop/index.php/shop/aufbewahren/collection/kuvert/kuvert-cliptasche.html?\\_store=authentics\\_en&\\_from\\_store=default](http://www.authentic.de/shop/index.php/shop/aufbewahren/collection/kuvert/kuvert-cliptasche.html?_store=authentics_en&_from_store=default), downloaded on Nov. 11, 2014.

\* cited by examiner

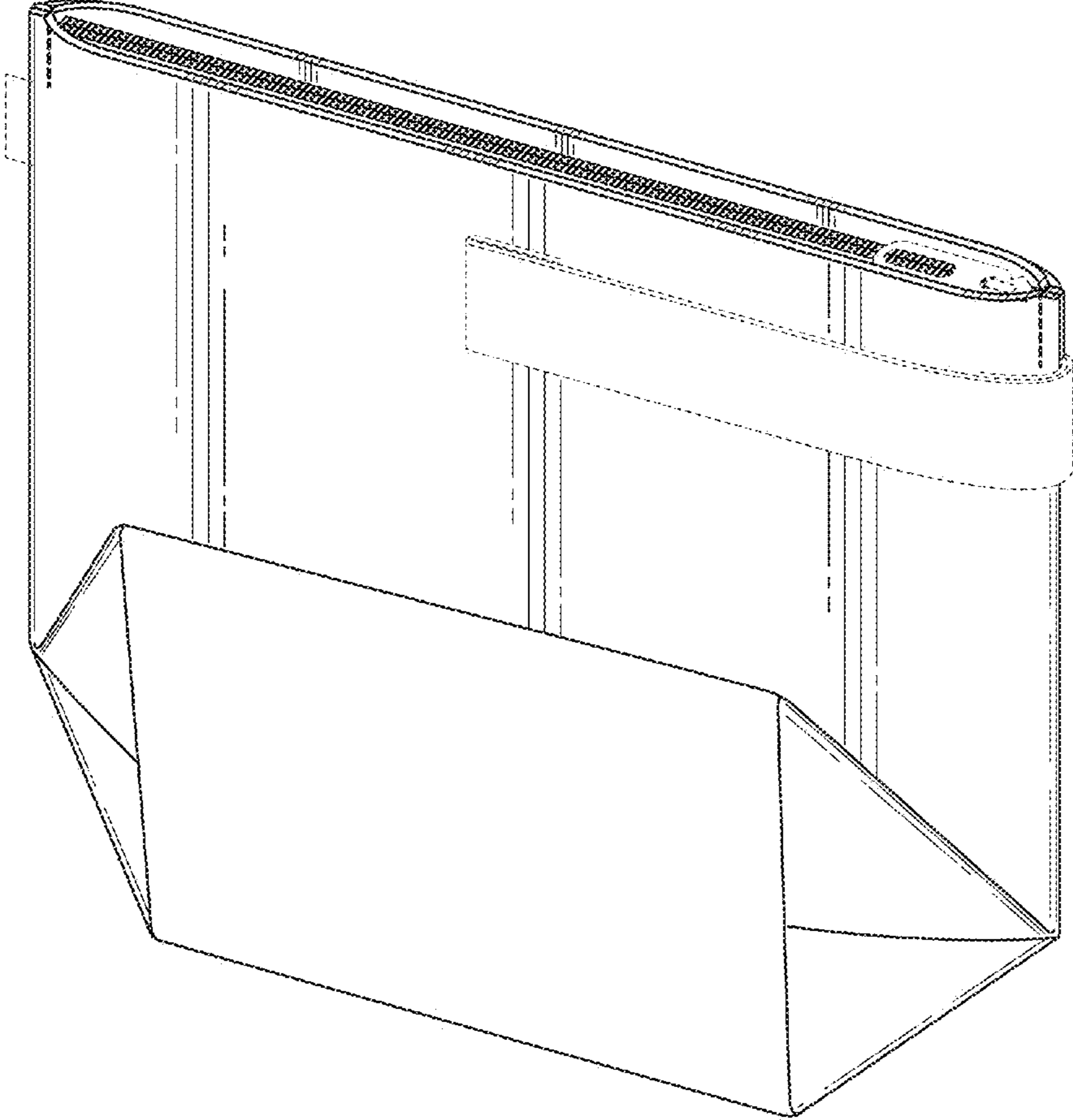


FIG. 1

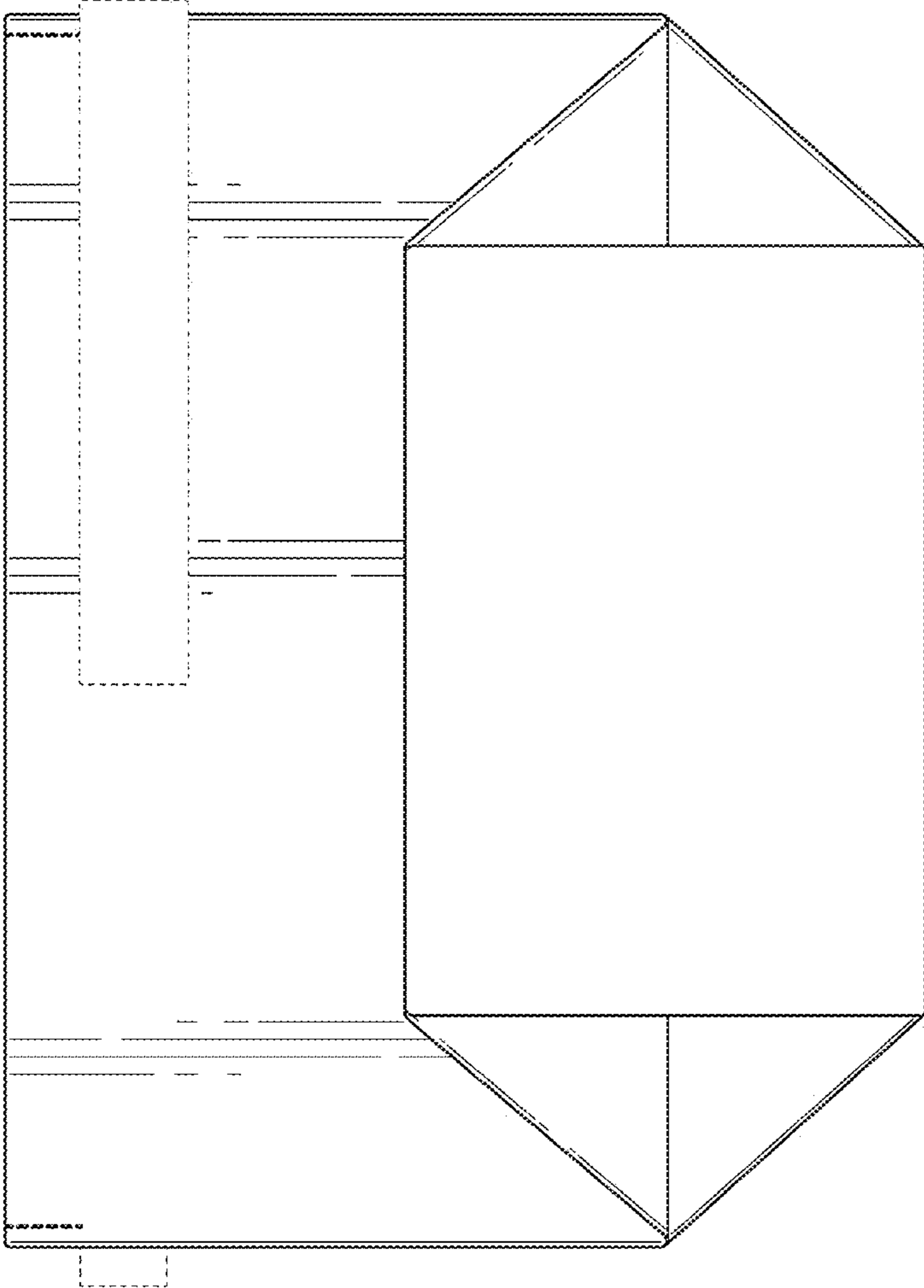


FIG. 2

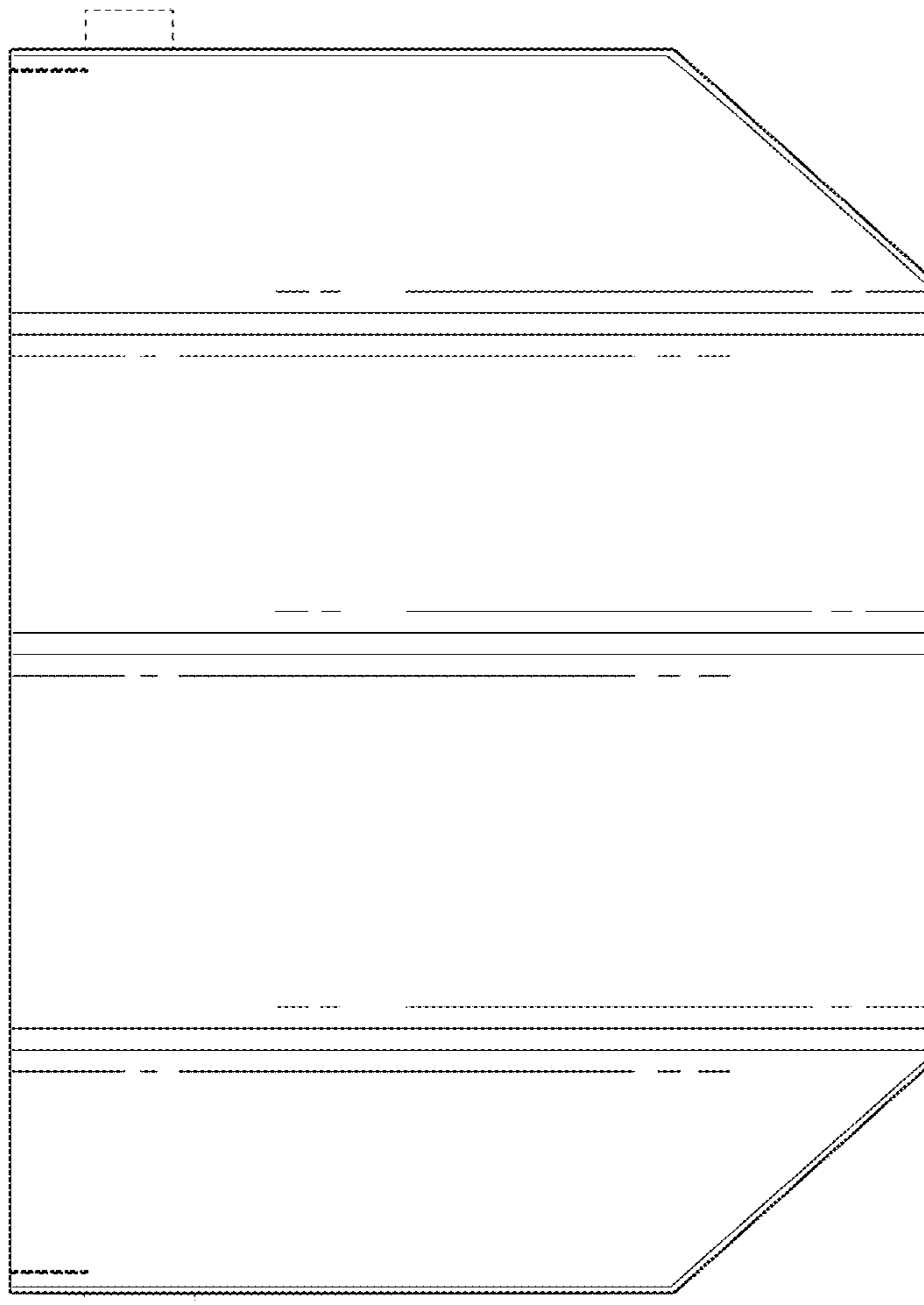


FIG. 3

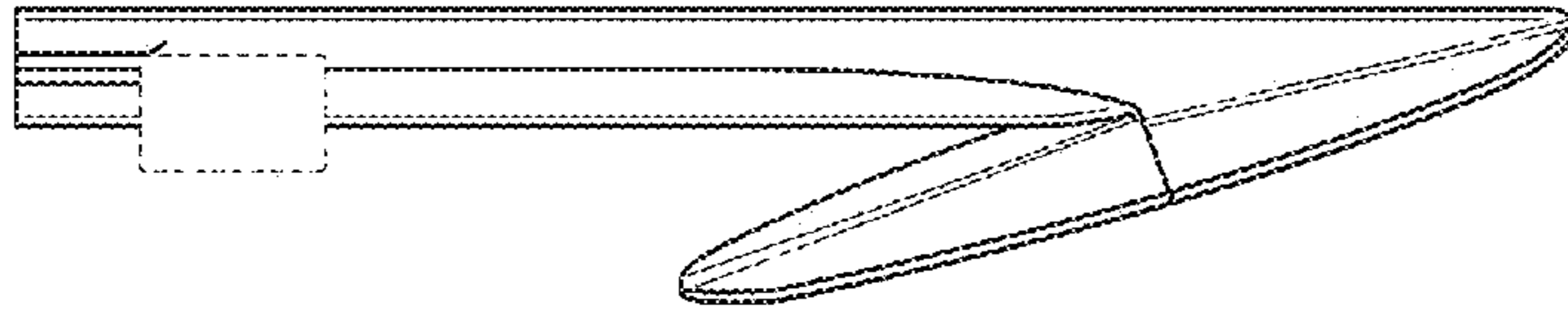


FIG. 5

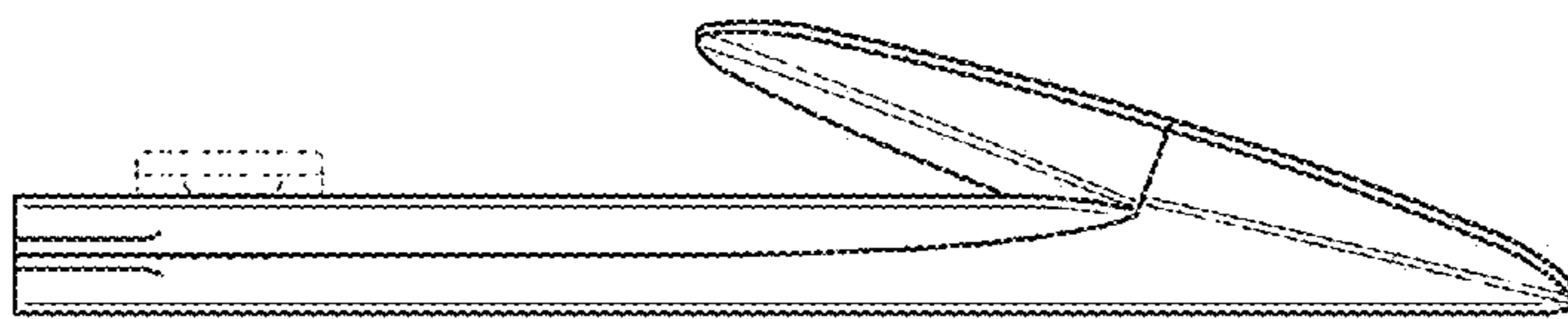


FIG. 4

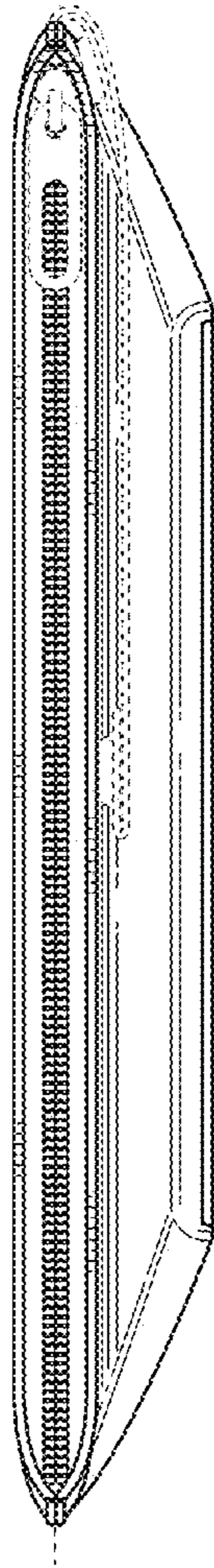


FIG. 6

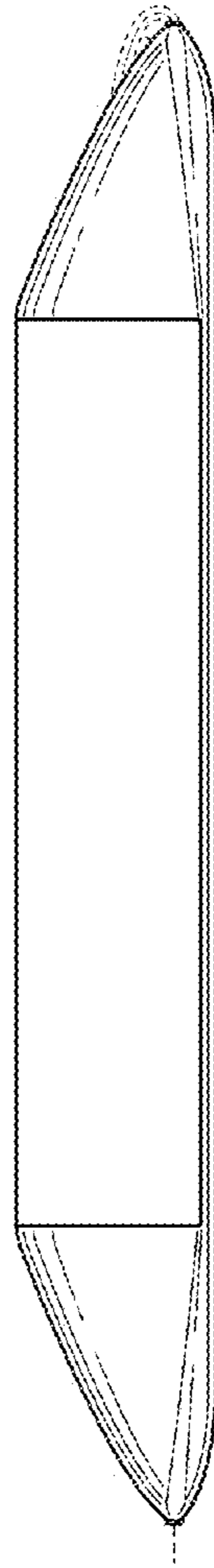


FIG. 7

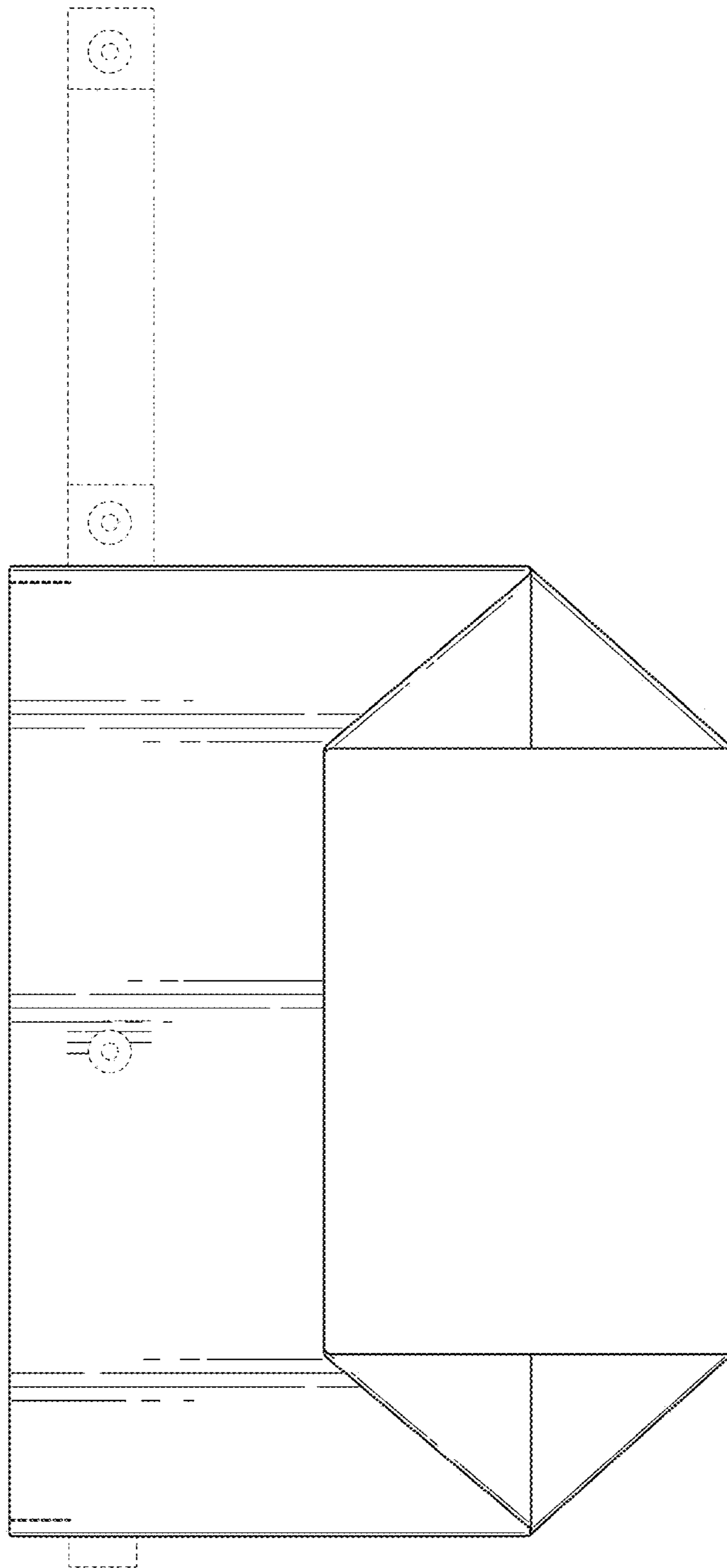


FIG. 8



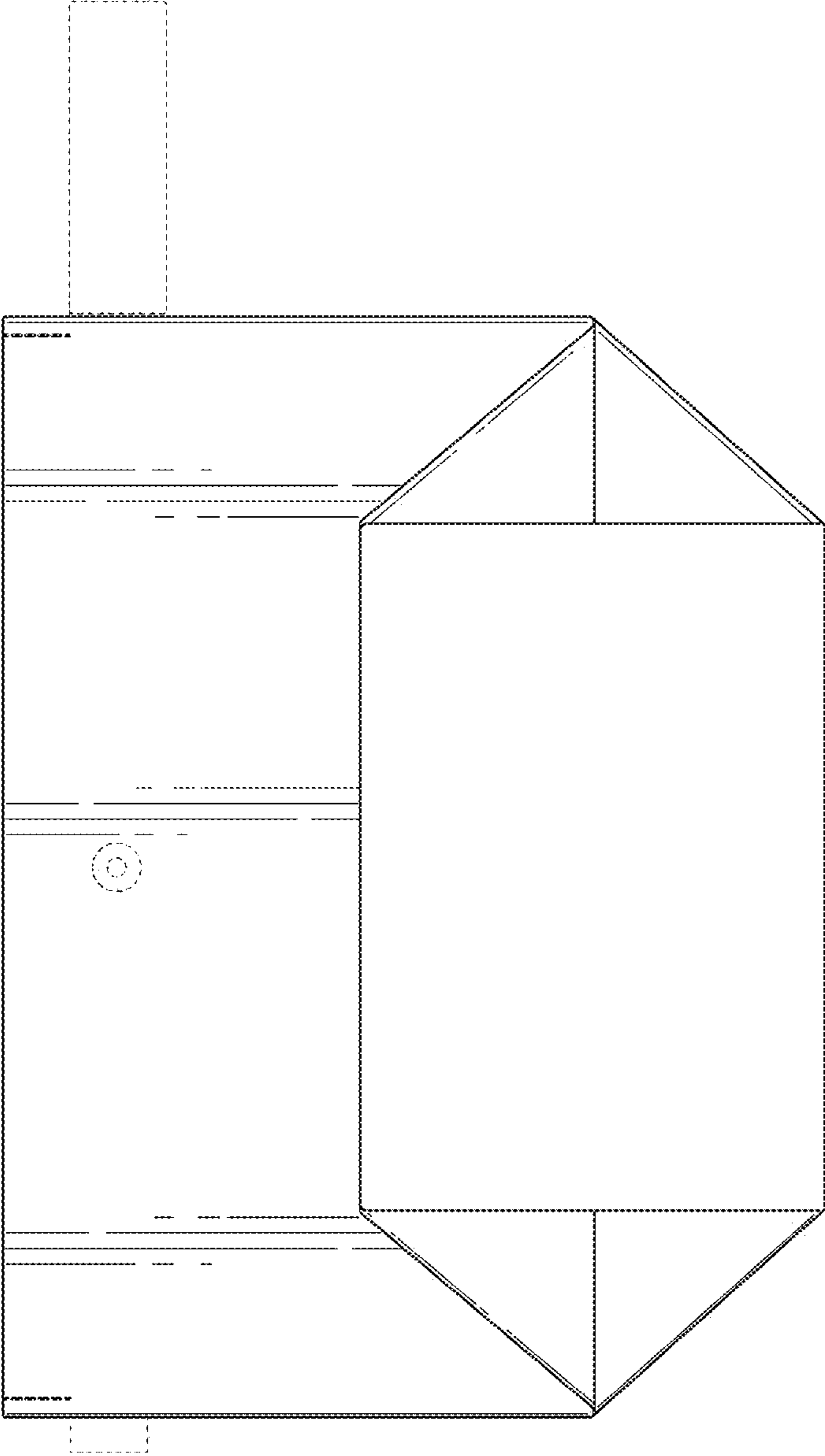


FIG.9

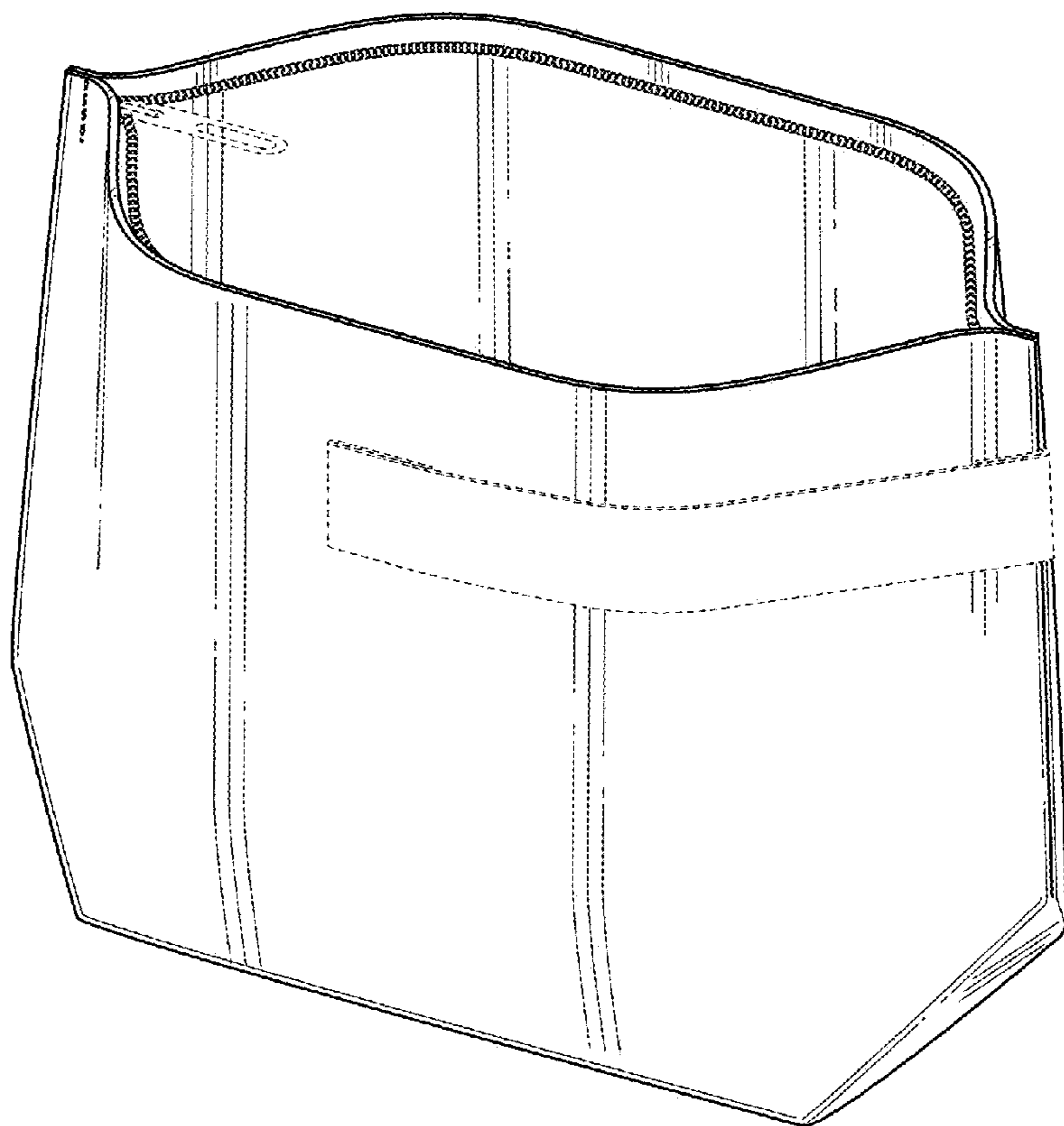


FIG. 10

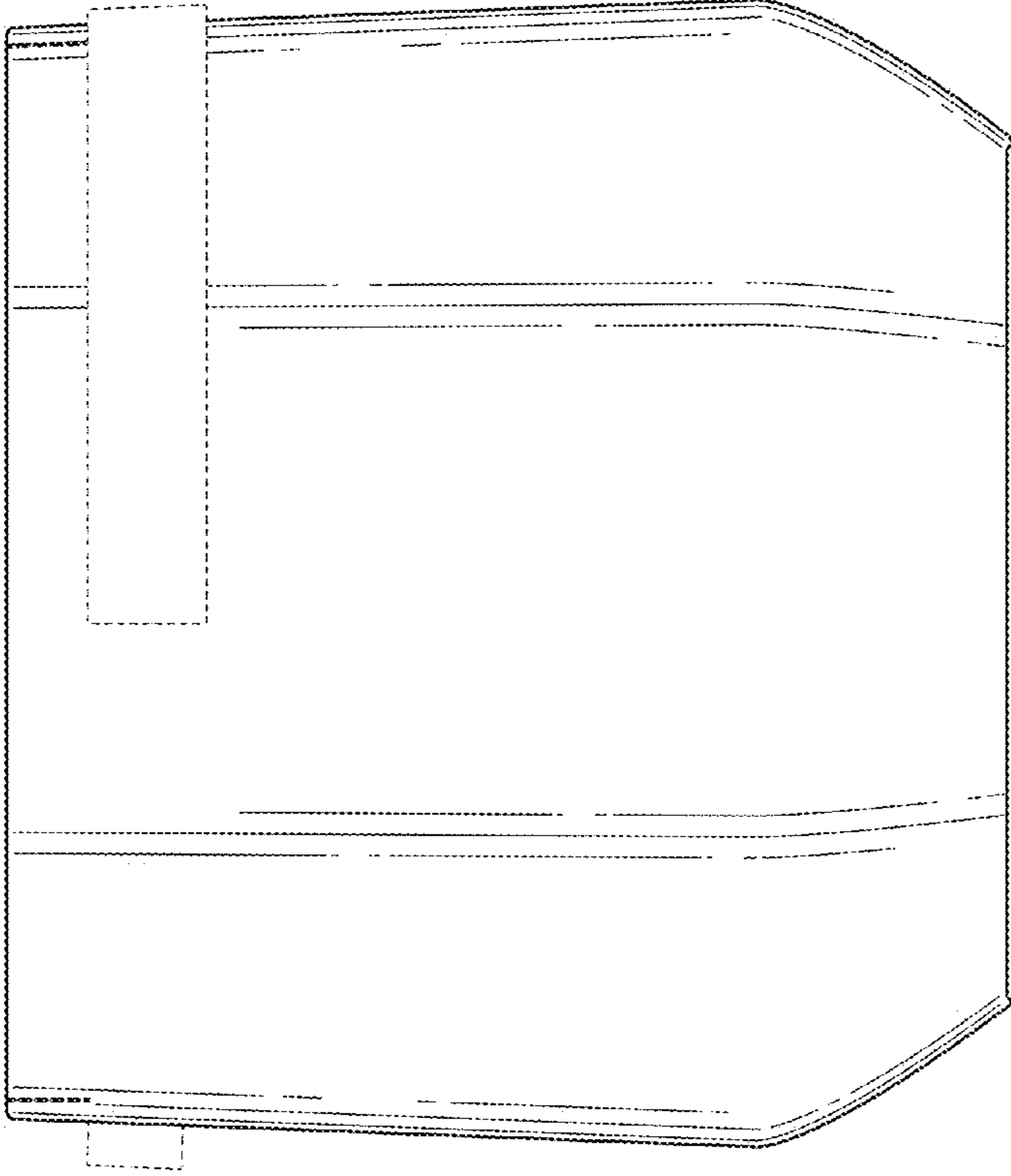


FIG. 11

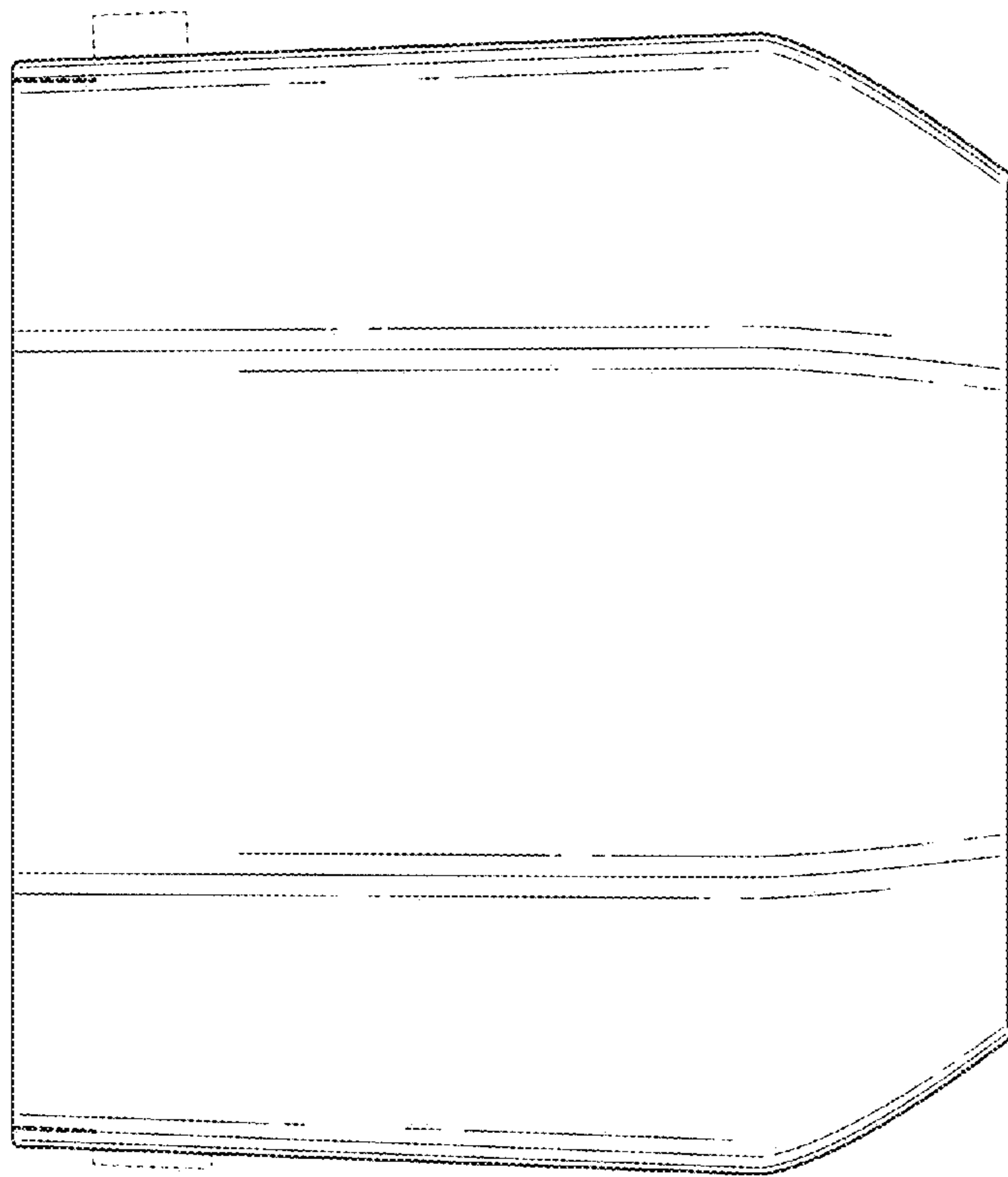


FIG. 12

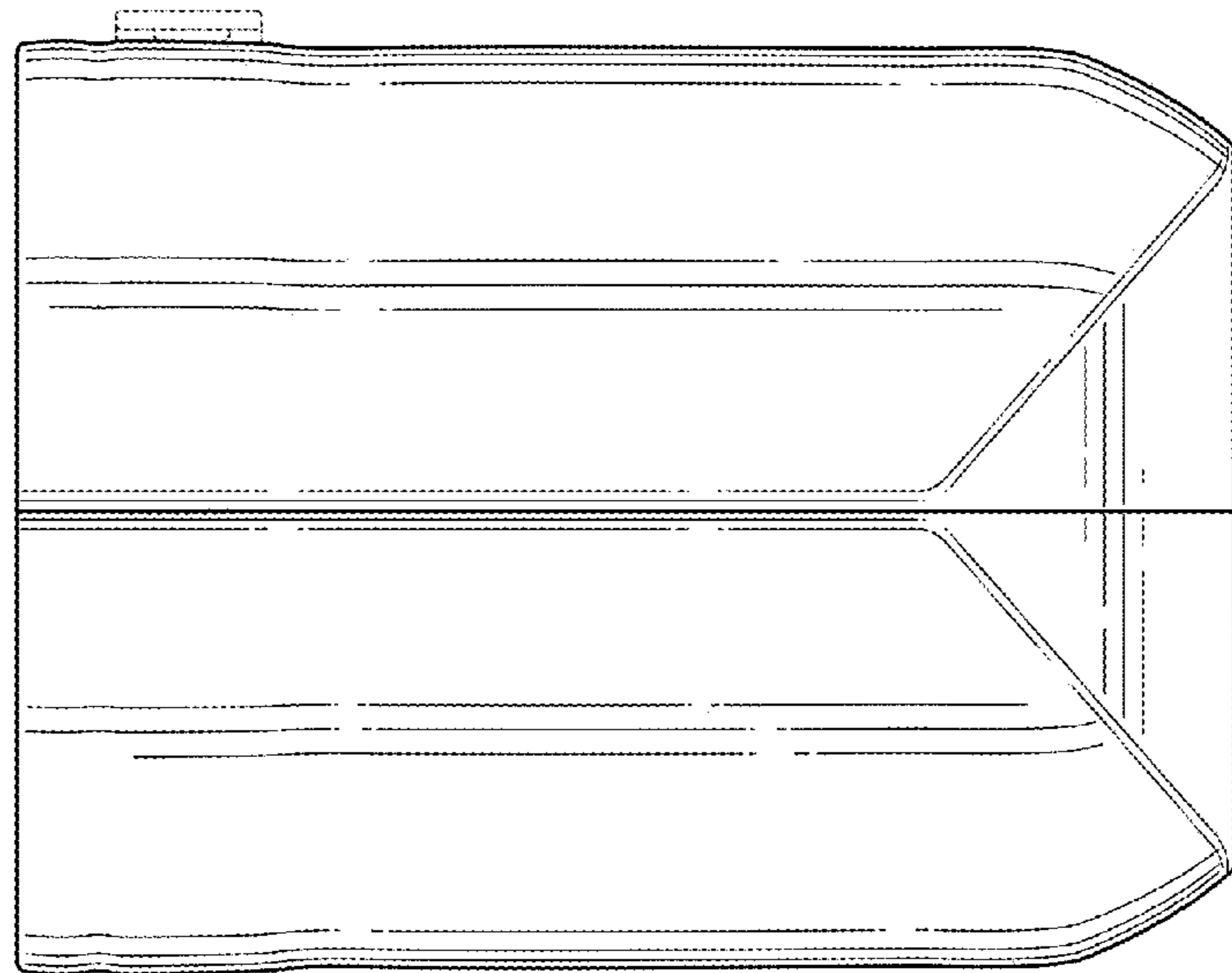


FIG. 13

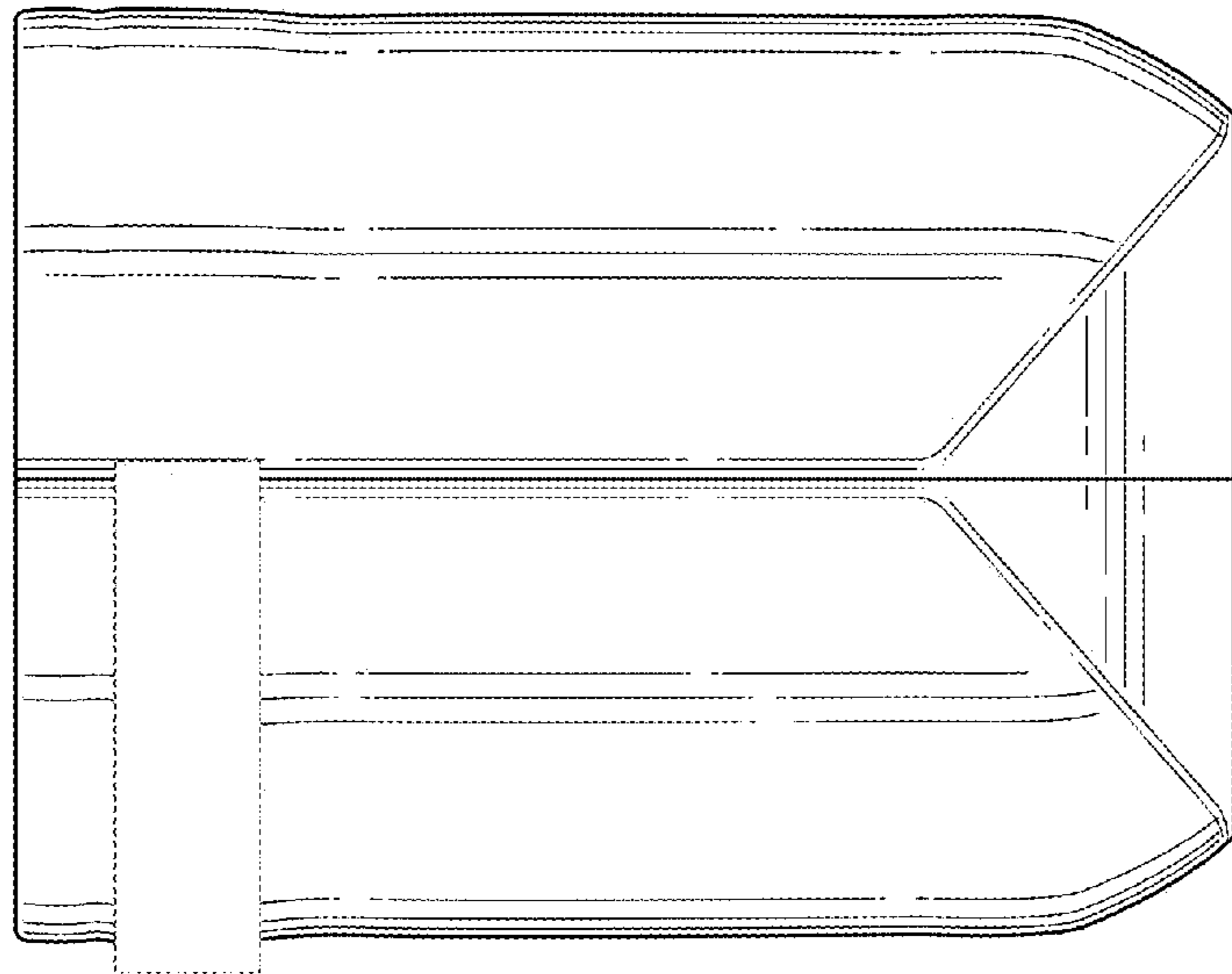


FIG. 14

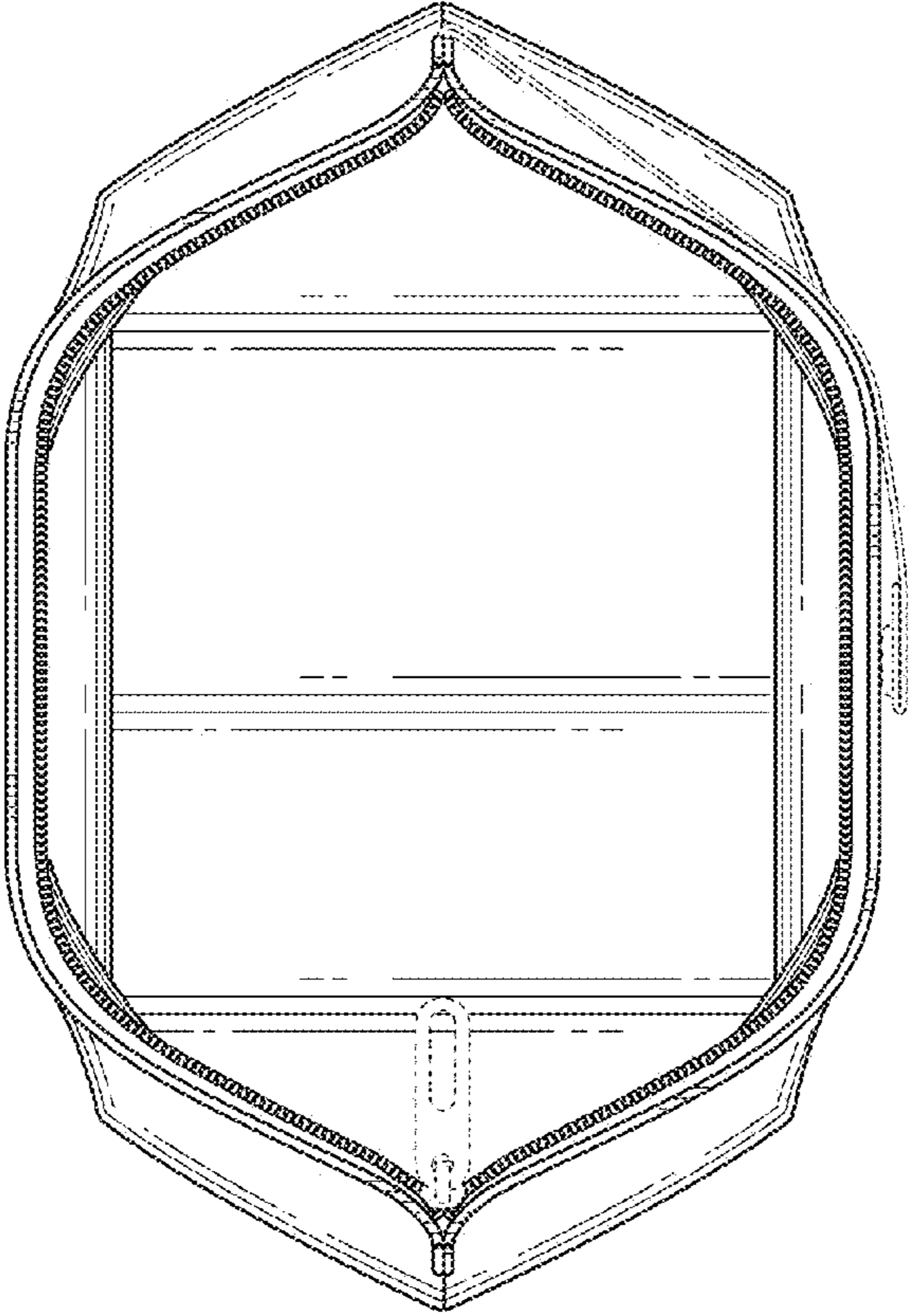


FIG. 15

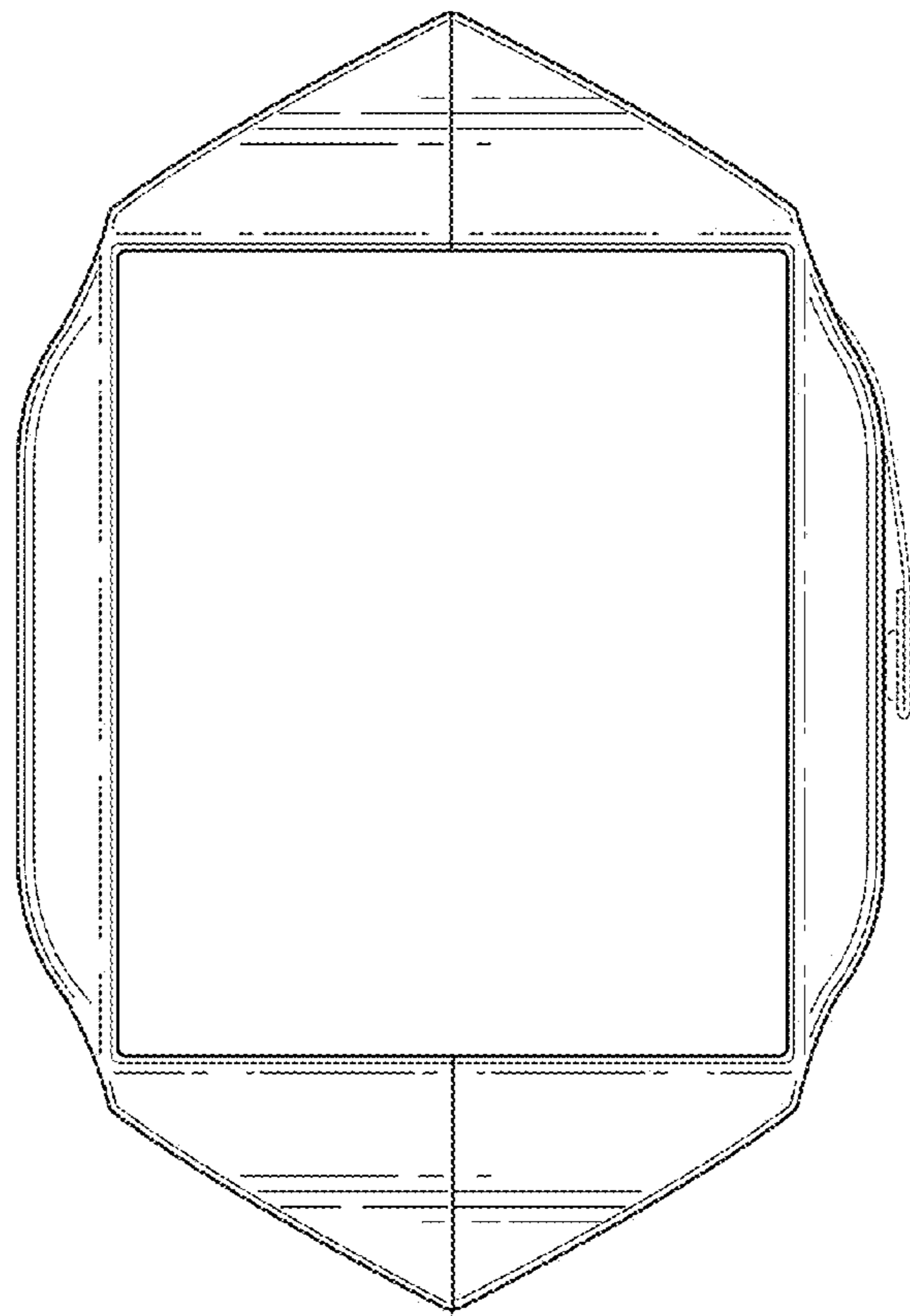


FIG. 16