



US00D759972S

(12) **United States Design Patent**
Duvigneau

(10) **Patent No.:** **US D759,972 S**
(45) **Date of Patent:** **** Jun. 28, 2016**

- (54) **HOUSEHOLD RECEPTACLE**
- (71) Applicant: **Nikolai Duvigneau, Zichron Yaacov (IL)**
- (72) Inventor: **Nikolai Duvigneau, Zichron Yaacov (IL)**
- (73) Assignee: **CURVER LUXEMBOURG SARL, Neidercorn (LU)**
- (**) Term: **14 Years**
- (21) Appl. No.: **29/453,369**
- (22) Filed: **Apr. 29, 2013**

- (30) **Foreign Application Priority Data**
Oct. 28, 2012 (IL) 53310
- (51) **LOC (10) Cl.** **03-01**
- (52) **U.S. Cl.**
USPC **D3/281; D3/282; D3/302**
- (58) **Field of Classification Search**
USPC D3/273, 276, 280, 282, 283, 284, 286, D3/288, 292, 294, 295, 901, 903, 905, 302, D3/306, 304, 272, 232, 247, 425, 281; 206/503, 207, 419, 505, 507, 511, 518, 206/559, 509, 506, 373, 501, 823, 515, 206/520; 220/23.86, 373, 553, 759, 506, 220/802, 822, 4.25, 23.6, 354, 355, 306, 220/307; D9/423, 424, 425
See application file for complete search history.

- (56) **References Cited**
U.S. PATENT DOCUMENTS
2,752,970 A * 7/1956 Tupper 220/802
D238,148 S * 12/1975 Dilot D7/629
D336,018 S * 6/1993 Smith et al. D7/629

- D363,663 S * 10/1995 Plater D9/425
- D378,552 S * 3/1997 Lippisch D3/273
- D401,064 S * 11/1998 Cheris et al. D3/302
- D480,872 S * 10/2003 Welsh et al. D3/302
- D511,247 S * 11/2005 Tsuchiya D3/273
- D540,039 S * 4/2007 van Beuningen D3/314
- D632,559 S * 2/2011 Georgiadis D9/424
- D639,065 S * 6/2011 Duvigneau D3/302
- D643,628 S * 8/2011 Monarch D3/302
- D655,577 S * 3/2012 Samartgis D7/602
- D719,731 S * 12/2014 Burgess et al. D3/302

OTHER PUBLICATIONS

Issocool online shop, "Curver Deco Storage Box Miss NY L", Accessed Feb. 12, 2016. (http://www.aletofajne.pl/en_GB/p/CURVER-DECO-storage-box-MISSs-NY-L/1457).*

* cited by examiner

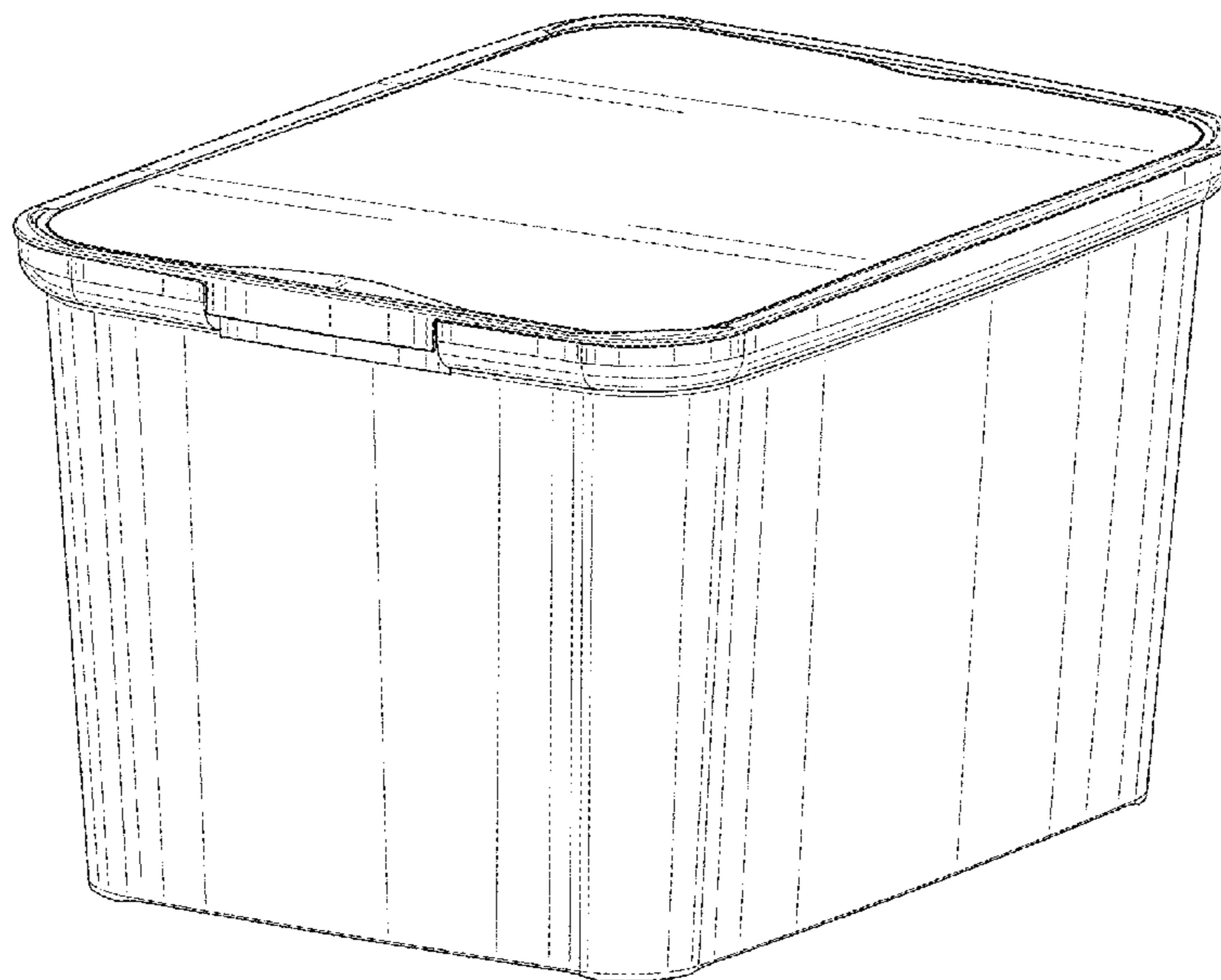
Primary Examiner — Jennifer Rivard
Assistant Examiner — April Rivas
(74) *Attorney, Agent, or Firm* — Vorys, Sater, Seymour & Pease LLP

(57) **CLAIM**
The ornamental design for a household receptacle, as shown and described.

DESCRIPTION

FIG. 1 is a top perspective view of a household receptacle; FIG. 2 is a bottom perspective view thereof; FIG. 3 is a front elevational view thereof, the rear view being a mirror image; FIG. 4 is a right side elevational view thereof; the left side view being a mirror image; FIG. 5 is a top planar view thereof; and, FIG. 6 is a bottom planar view thereof.

1 Claim, 6 Drawing Sheets



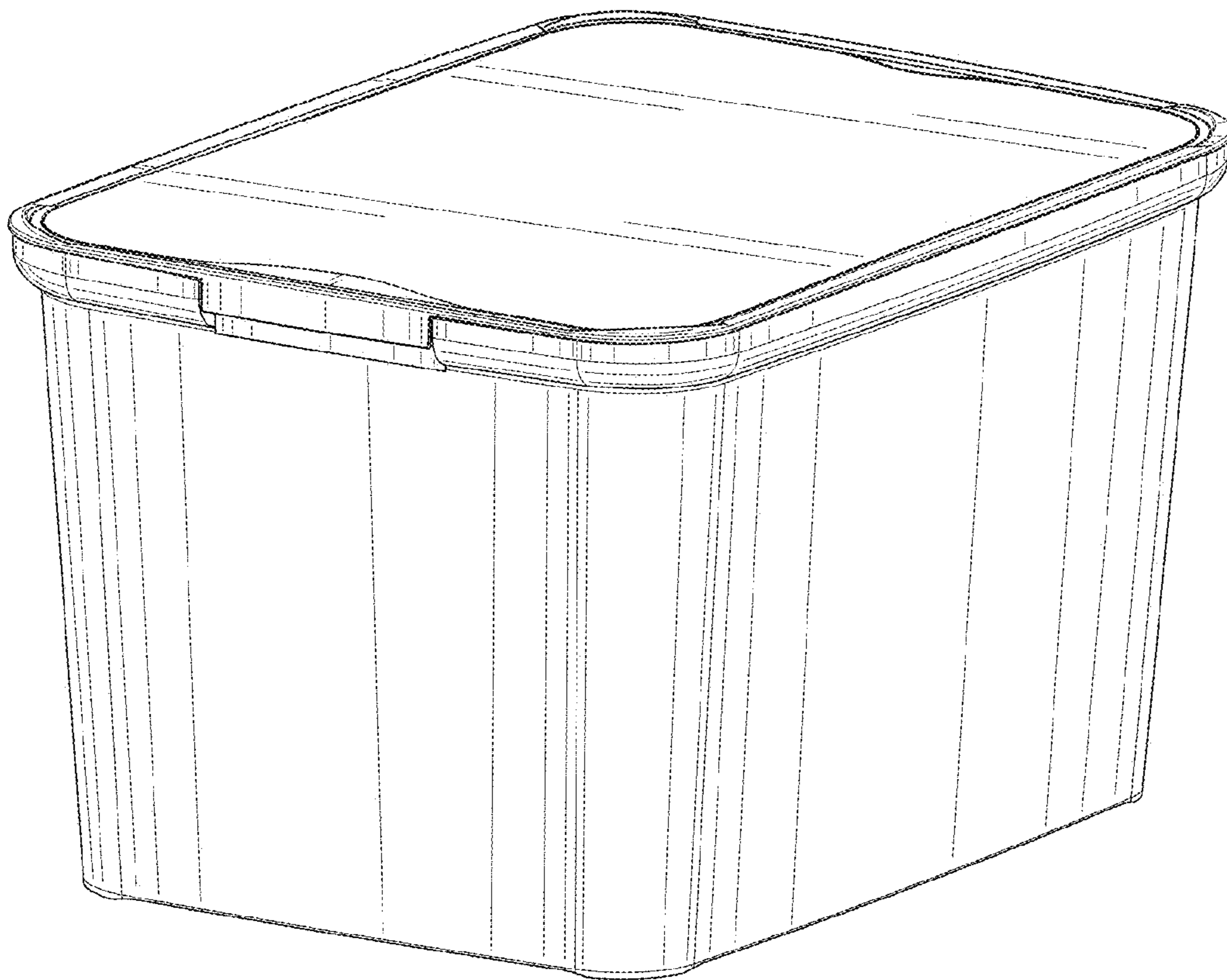


FIG. 1

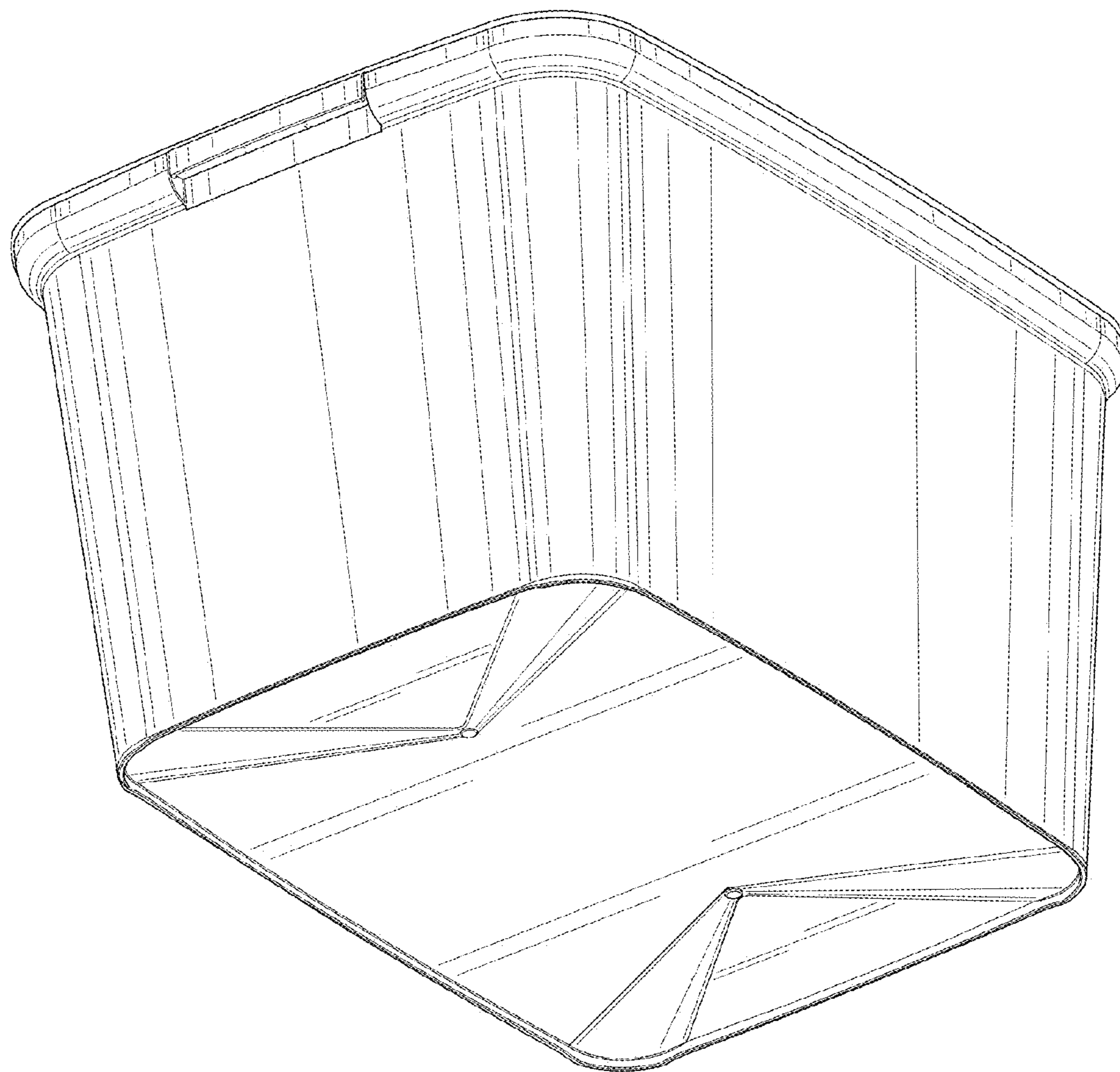


FIG. 2

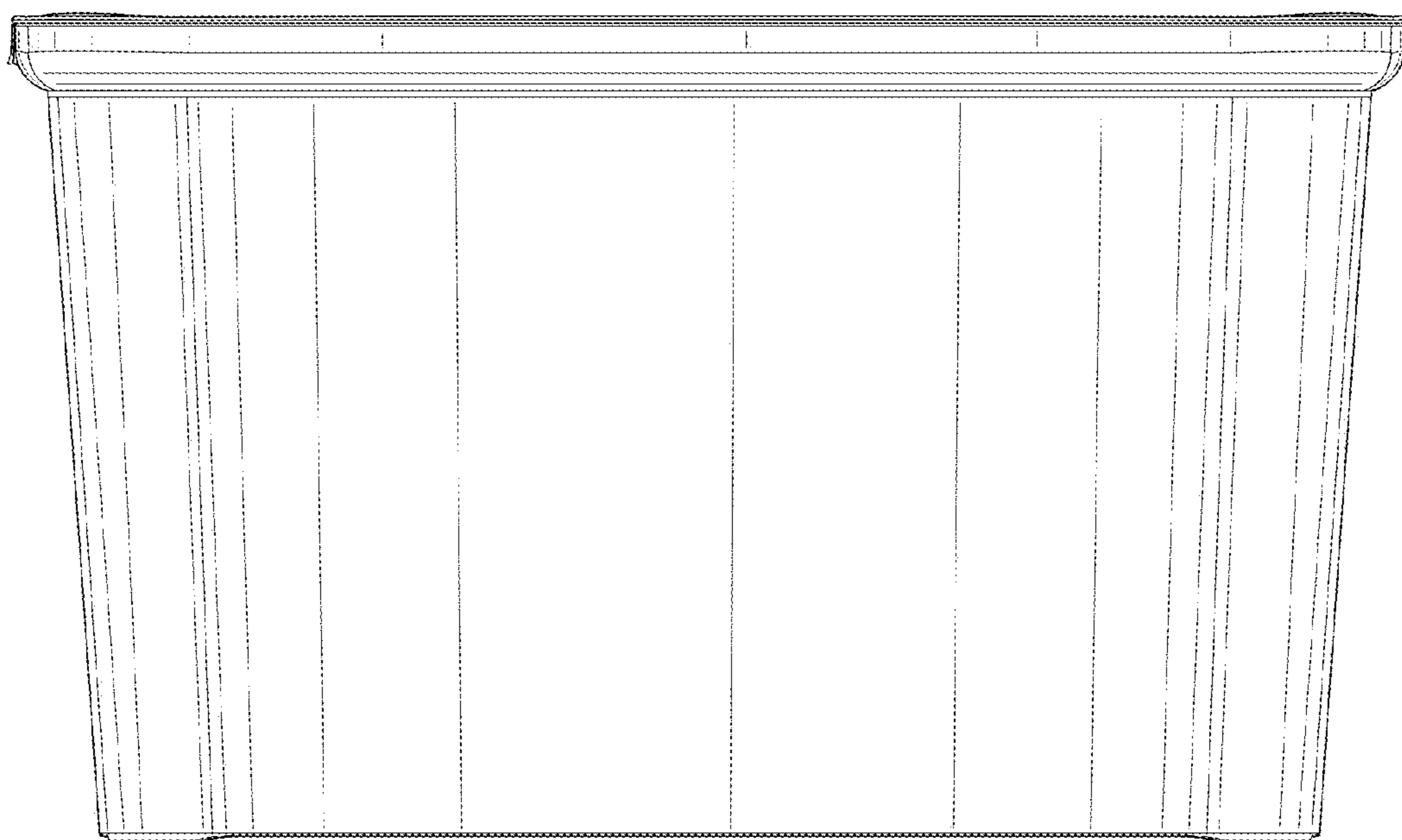


FIG. 3

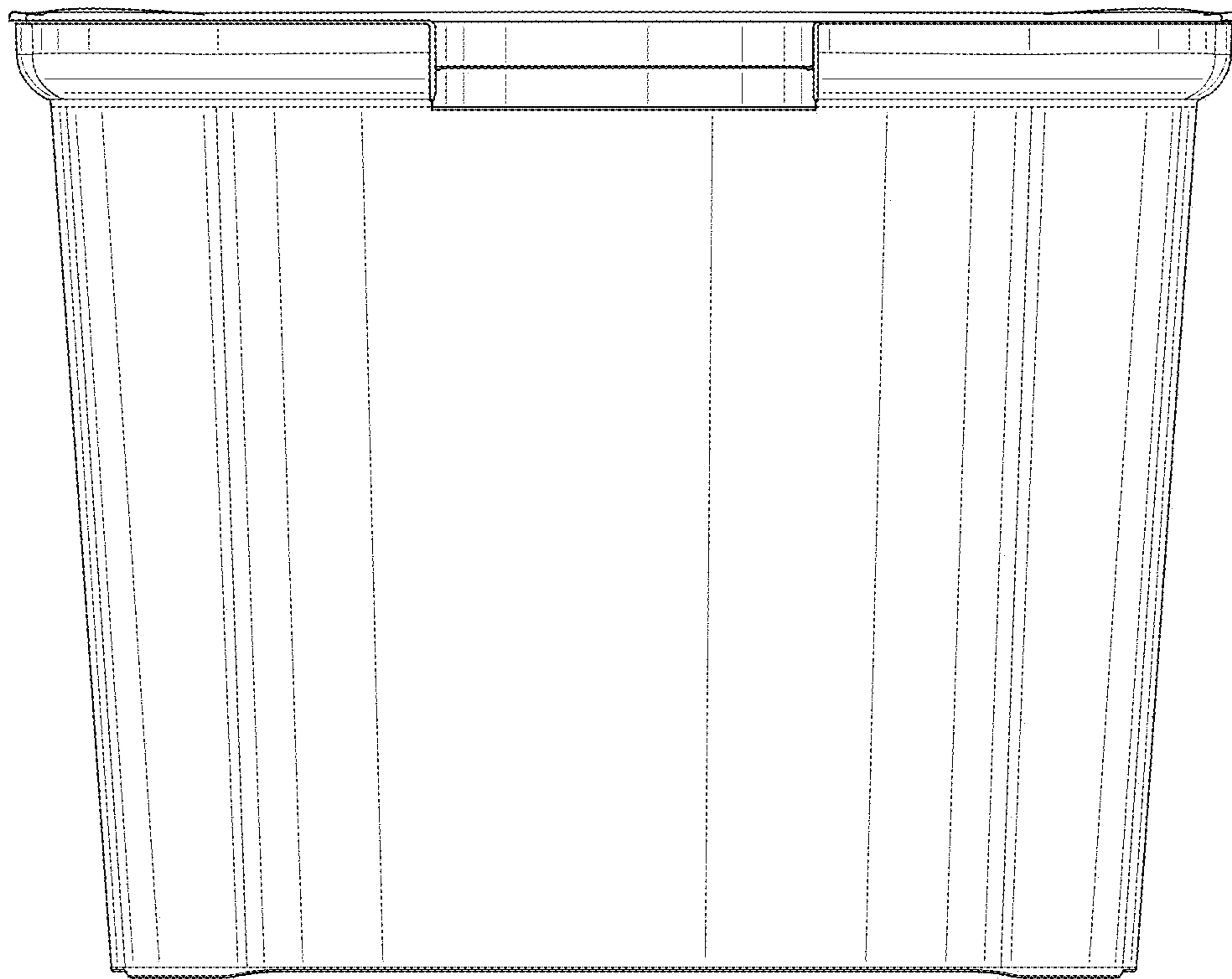


FIG. 4

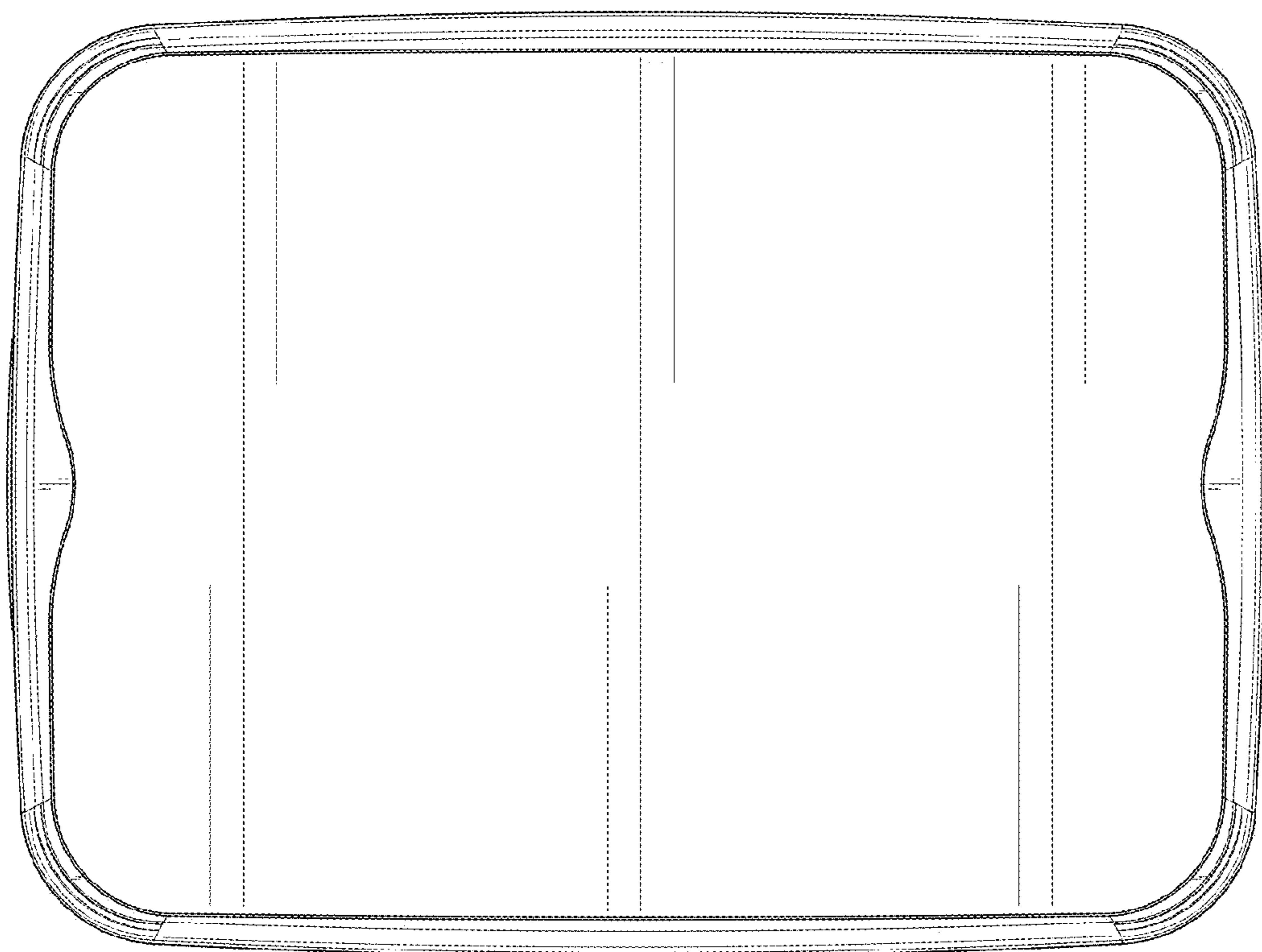


FIG. 5

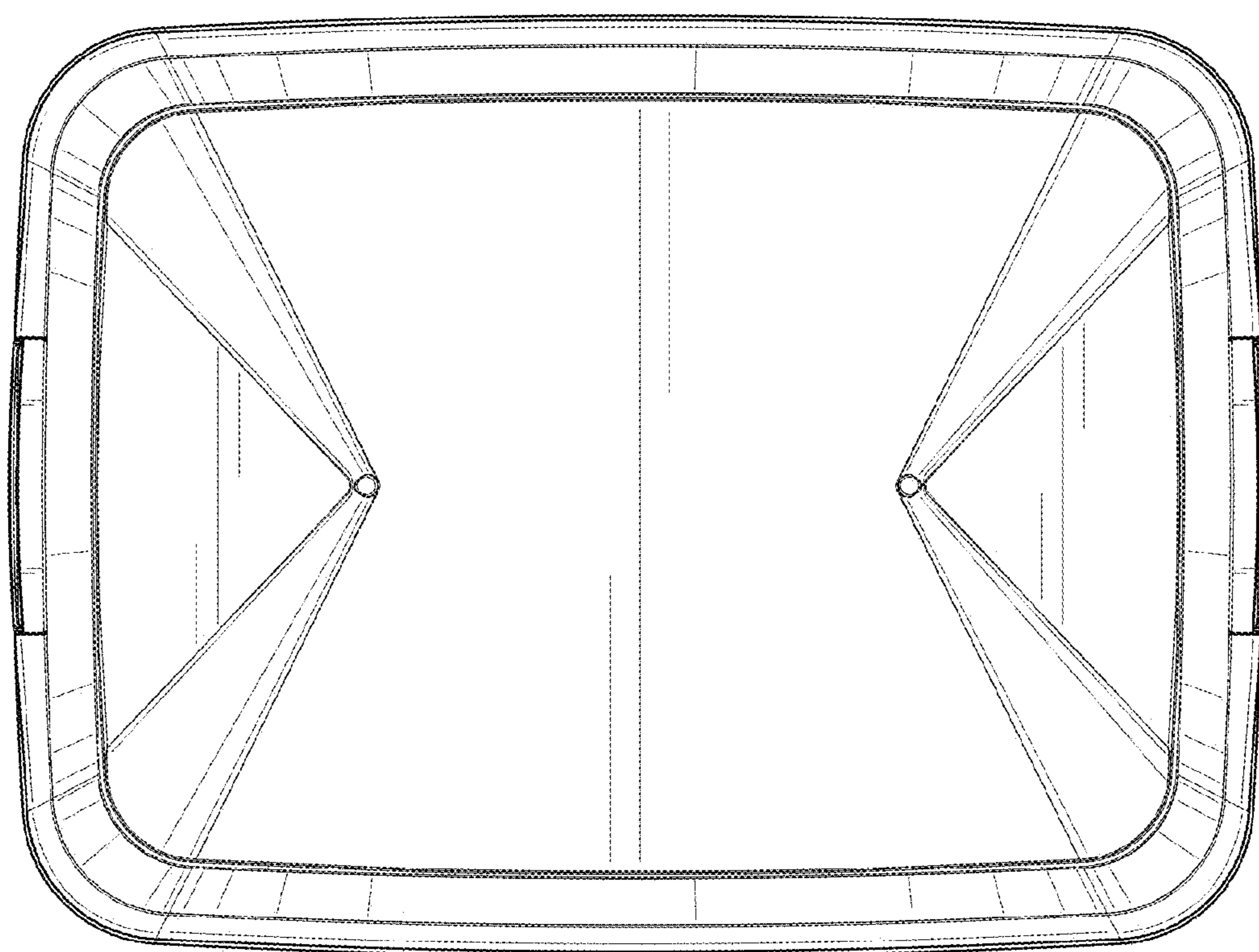


FIG. 6