



US00D759971S

(12) **United States Design Patent**
Riddiford et al.

(10) **Patent No.:** **US D759,971 S**
(45) **Date of Patent:** **** Jun. 28, 2016**

(54) **CASE**

- (71) Applicant: **Pelican Products, Inc.**, Torrance, CA (US)
- (72) Inventors: **Martin Riddiford**, London (GB);
Robert Butterworth, Teddington (GB);
Andrew Clift, Harpenden (GB)
- (73) Assignee: **Pelican Products, Inc.**, Torrance, CA (US)

(**) Term: **14 Years**

(21) Appl. No.: **29/525,648**

(22) Filed: **Apr. 30, 2015**

Related U.S. Application Data

- (62) Division of application No. 29/487,016, filed on Apr. 4, 2014, now Pat. No. Des. 752,862.
- (51) **LOC (10) Cl.** **03-01**
- (52) **U.S. Cl.**
USPC **D3/279**; D3/281; D3/294
- (58) **Field of Classification Search**
USPC D3/272, 273, 276, 279, 281, 282, 284,
D3/285, 283, 289, 291, 294, 295, 301, 231
CPC A45C 5/00; A45C 5/03; A45C 5/06;
A45C 5/14; A45C 2005/032; A45C 2005/035;
A45C 2005/037; A45C 13/1084; A45C 13/385
See application file for complete search history.

(56) **References Cited**

U.S. PATENT DOCUMENTS

- D422,409 S * 4/2000 Klenner D3/276
- D425,301 S * 5/2000 Sagol D3/276

(Continued)

OTHER PUBLICATIONS

Pelican Products Homepage, "BA 27 Elite Luggage Weekender", accessed Dec. 18, 2015. (<http://www.pelican.com/us/en/product/wa-tertight-rolling-luggage/elite-luggage/weekender/BA27/>).*

(Continued)

Primary Examiner — Jennifer Rivard
Assistant Examiner — April Rivas
(74) *Attorney, Agent, or Firm* — Foley & Lardner LLP

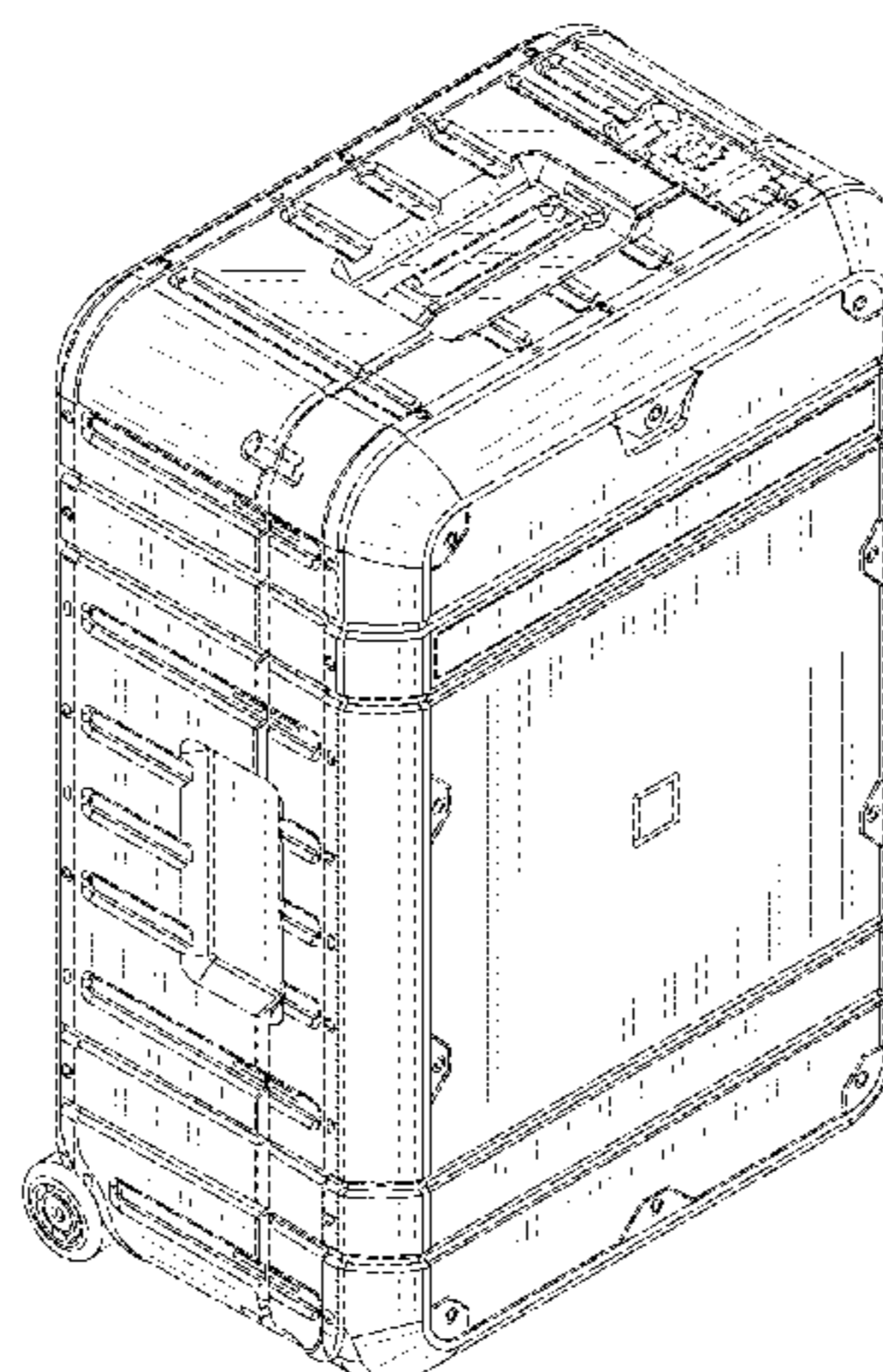
(57) **CLAIM**

We claim the ornamental design for a case, as shown and described.

DESCRIPTION

FIG. 1 is a perspective view of a case according to the first embodiment of the claimed design;
 FIG. 2 is a front view of the case according to the first embodiment;
 FIG. 3 is a rear view of the case according to the first embodiment;
 FIG. 4 is a left view of the case according to the first embodiment;
 FIG. 5 is a right view of the case according to the first embodiment;
 FIG. 6 is a top view of the case according to the first embodiment;
 FIG. 7 is a bottom view of the case according to the first embodiment;
 FIG. 8 is a perspective view of a case according to the second embodiment of the claimed design;
 FIG. 9 is a front view of the case according to the second embodiment;
 FIG. 10 is a rear view of the case according to the second embodiment;
 FIG. 11 is a left view of the case according to the second embodiment;
 FIG. 12 is a right view of the case according to the second embodiment;
 FIG. 13 is a top view of the case according to the second embodiment; and,
 FIG. 14 is a bottom view of the case according to the second embodiment.
 The broken lines illustrate portions of the case and form no part of the claimed design.

1 Claim, 14 Drawing Sheets



(56)

References Cited

U.S. PATENT DOCUMENTS

D437,484 S 2/2001 Tiramani et al.
 D441,954 S * 5/2001 Parker D3/273
 D454,430 S * 3/2002 Sijmons D3/279
 D457,724 S * 5/2002 Och D3/273
 D462,519 S 9/2002 Gaydos et al.
 D465,330 S * 11/2002 Parker D3/201
 D467,424 S 12/2002 Hardigg et al.
 D467,425 S 12/2002 Hardigg et al.
 D467,426 S * 12/2002 Hardigg D3/276
 D520,237 S 5/2006 Cheng
 7,533,782 B2 5/2009 Parker et al.
 D627,165 S 11/2010 Habersetzer
 D661,858 S 6/2012 Lifshitz et al.
 D702,044 S 4/2014 Shitrit et al.
 D720,928 S * 1/2015 Roncato D3/279
 D743,169 S * 11/2015 Therkorn D3/282

2002/0096844 A1* 7/2002 Clegg A45C 5/14
 280/47.17
 2011/0155526 A1* 6/2011 Cheng A45C 5/14
 190/18 A
 2014/0197059 A1 7/2014 Evans et al.
 2015/0150348 A1* 6/2015 Wax A45C 5/03
 190/18 A
 2015/0173472 A1* 6/2015 Gierke A45C 5/14
 190/18 A

OTHER PUBLICATIONS

US Notice of Allowance dated Nov. 25, 2015, from related U.S. Appl. No. 29/487,016.
 US Office Action dated Oct. 15, 2014, from related U.S. Appl. No. 29/487,016.
 US Office Action dated Aug. 20, 2015, from related U.S. Appl. No. 29/487,016.

* cited by examiner

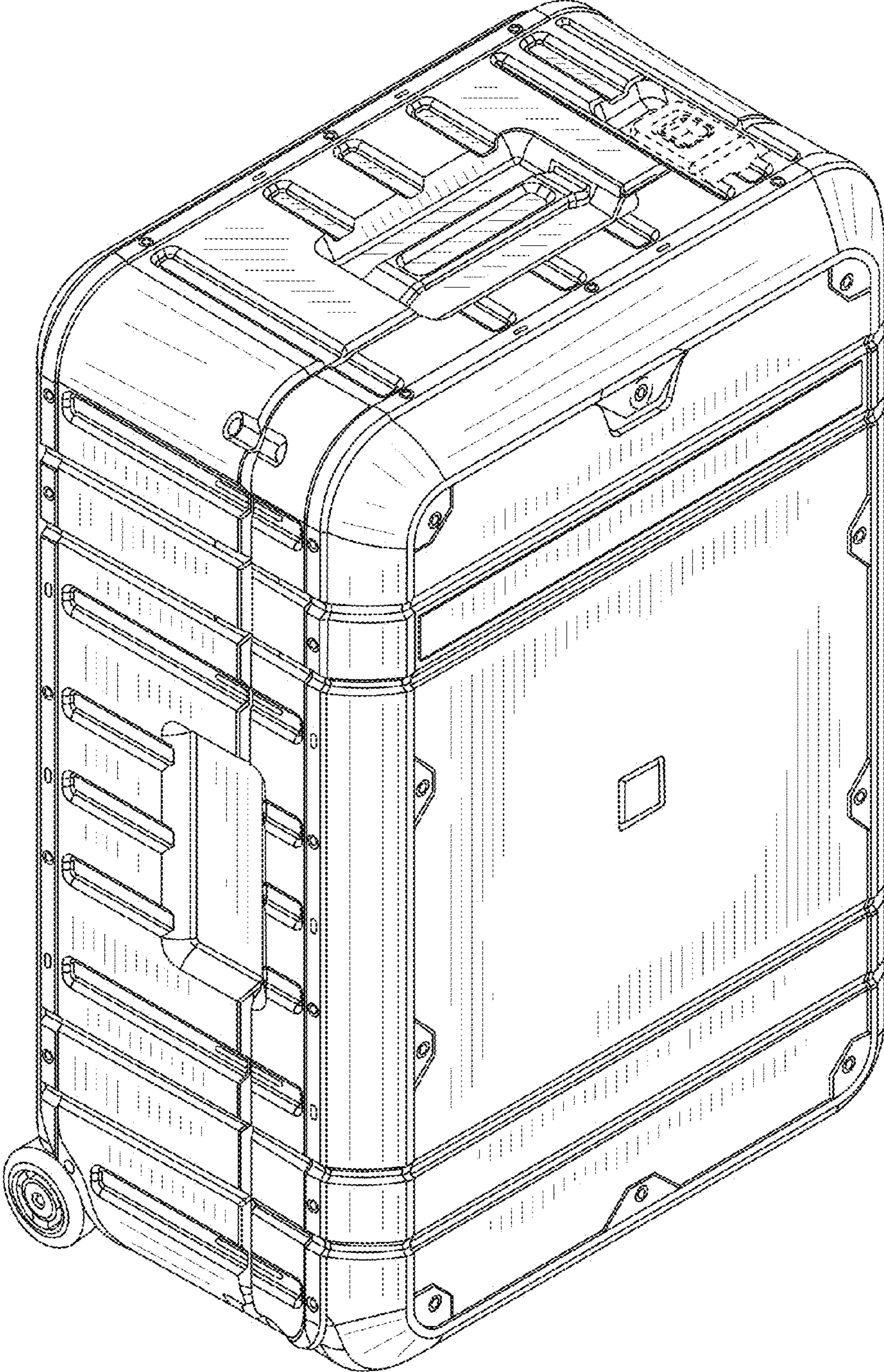


FIG. 1

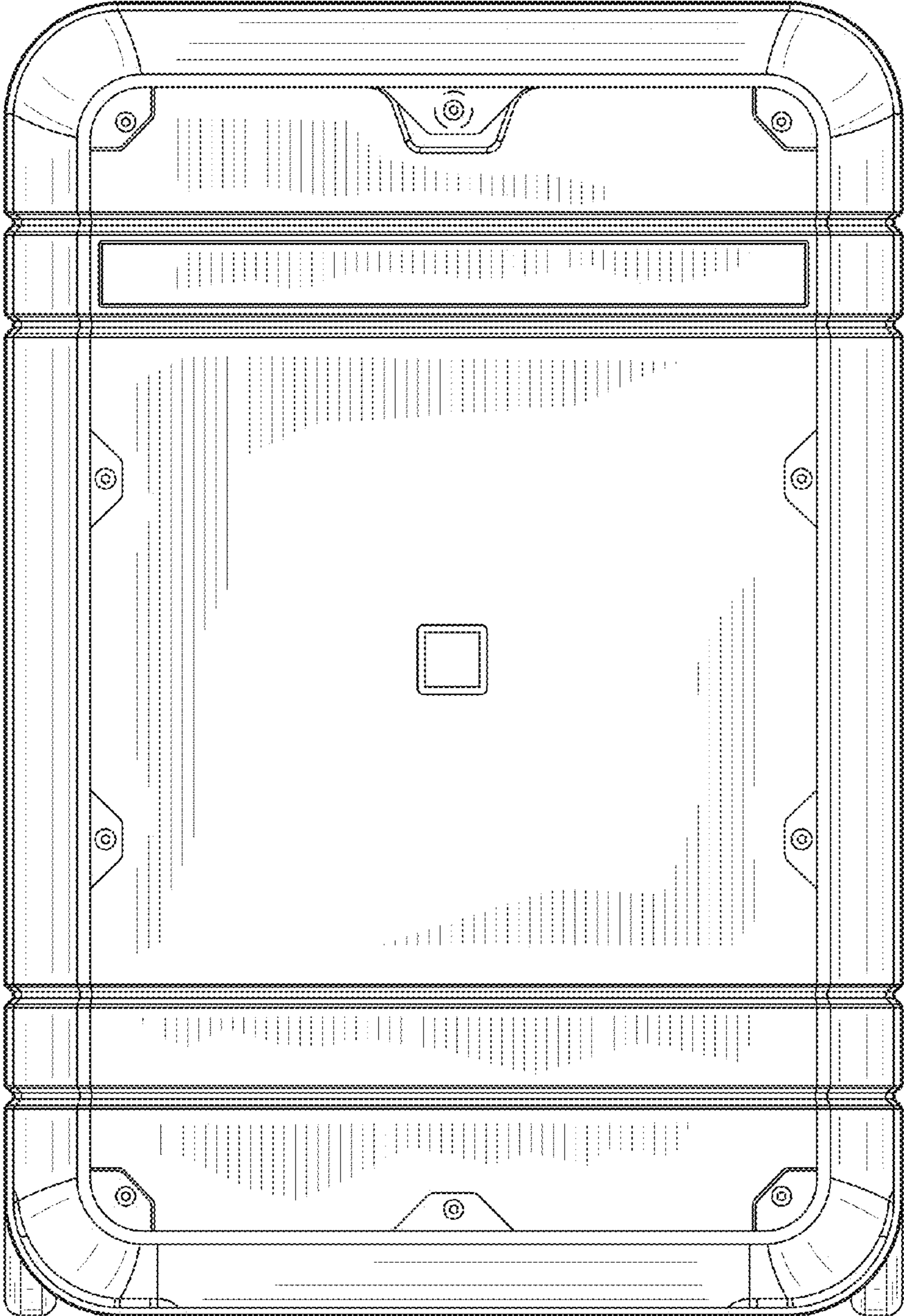


FIG. 2

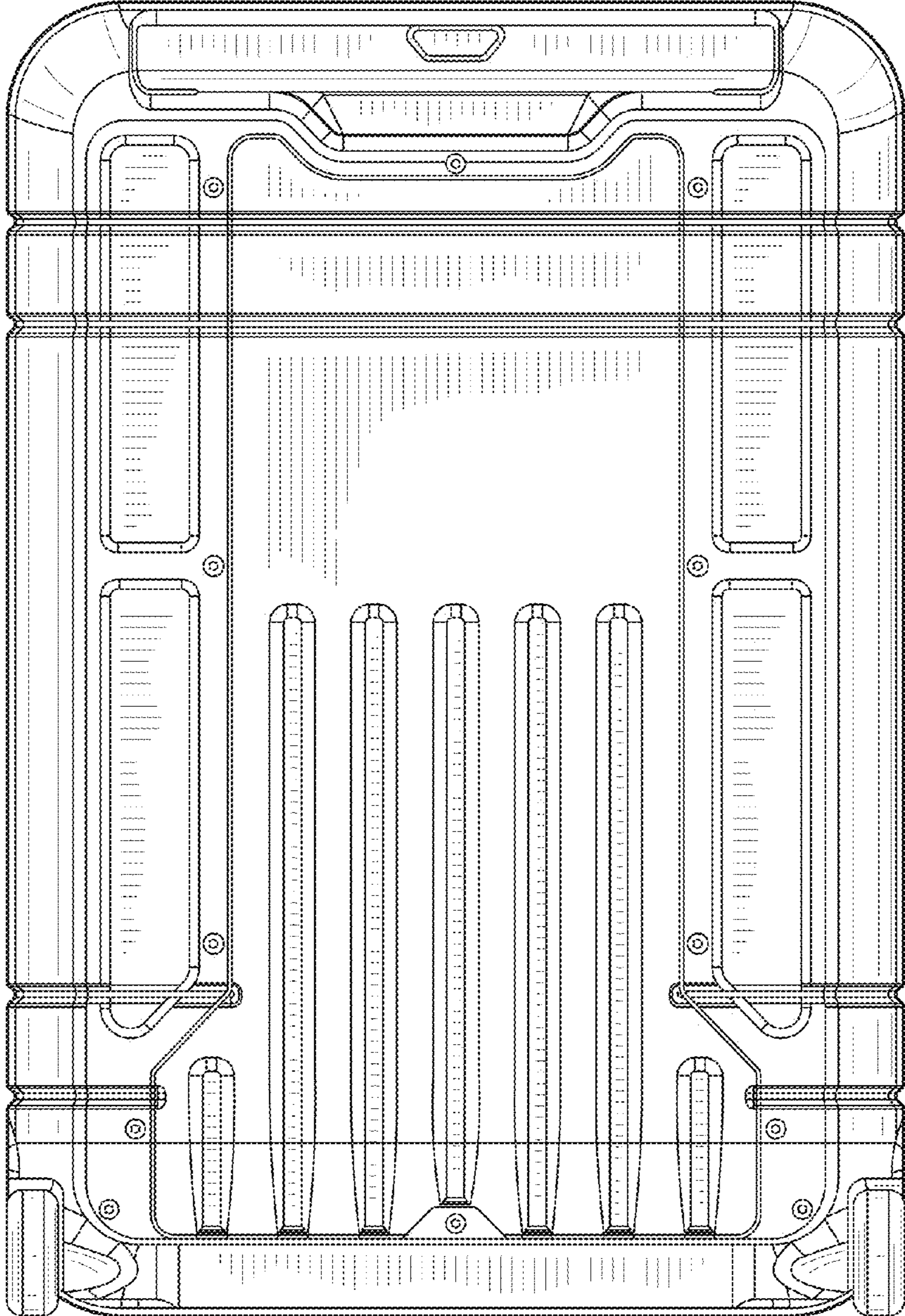


FIG. 3

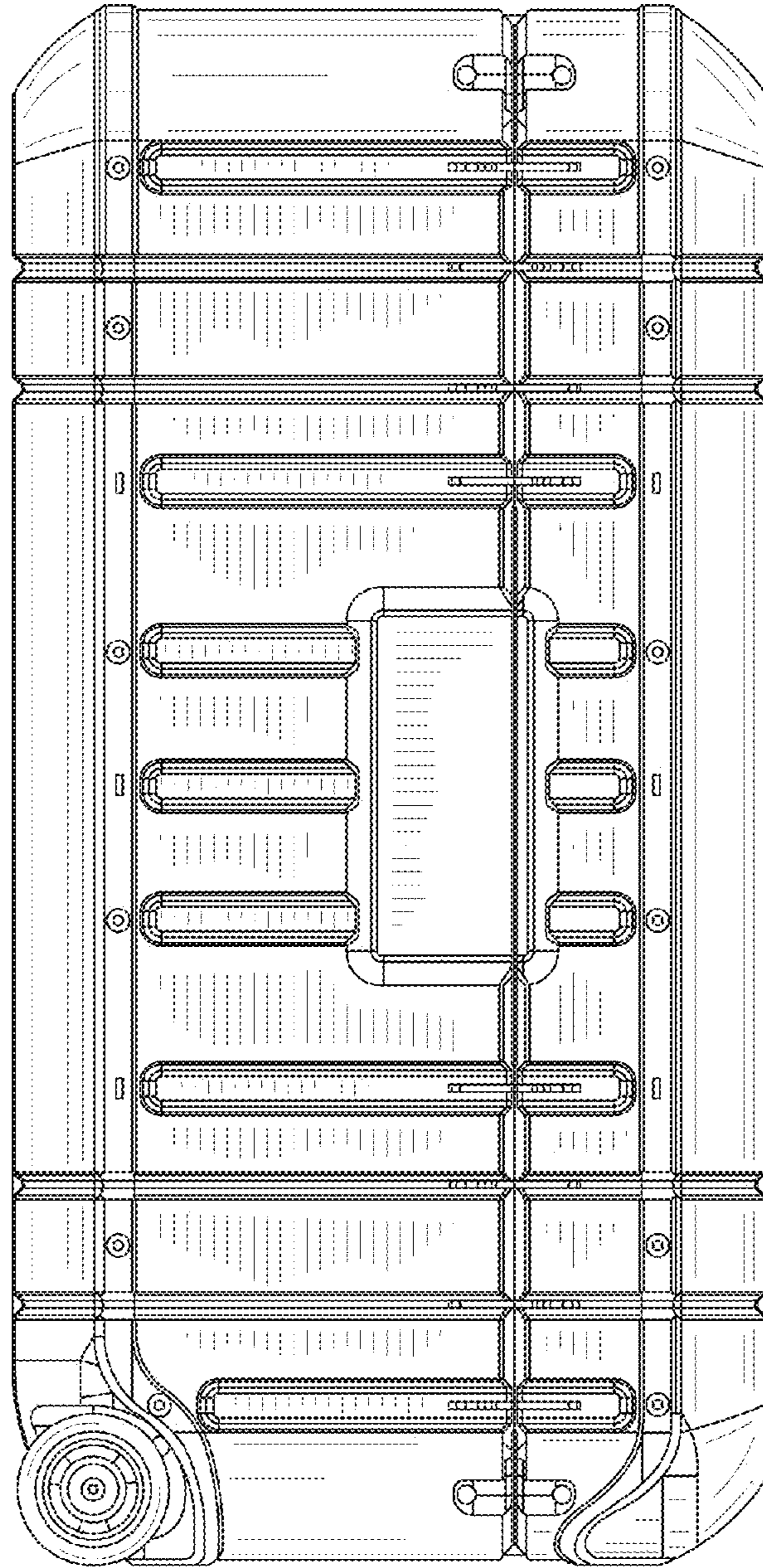


FIG. 4

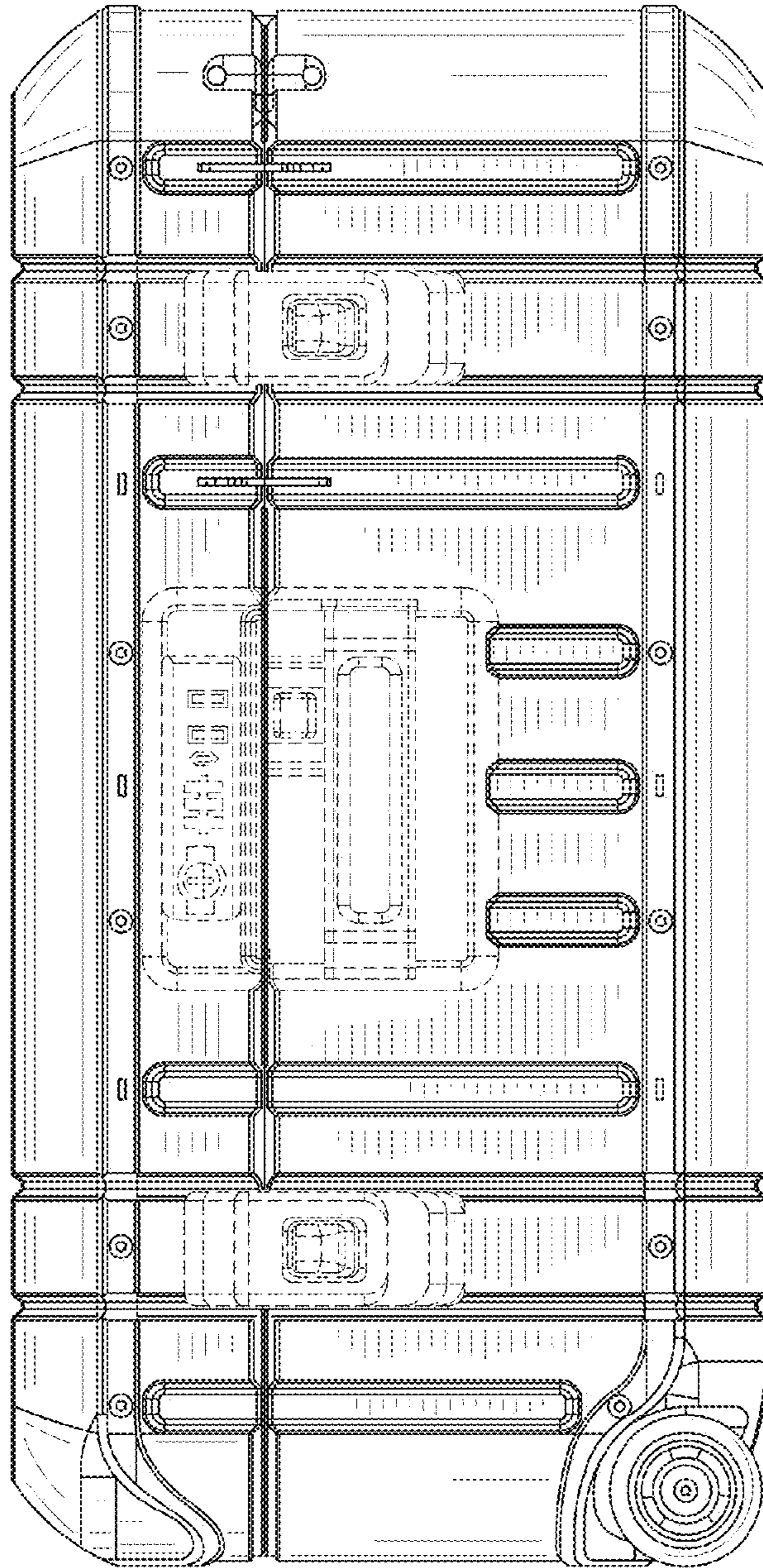


FIG. 5

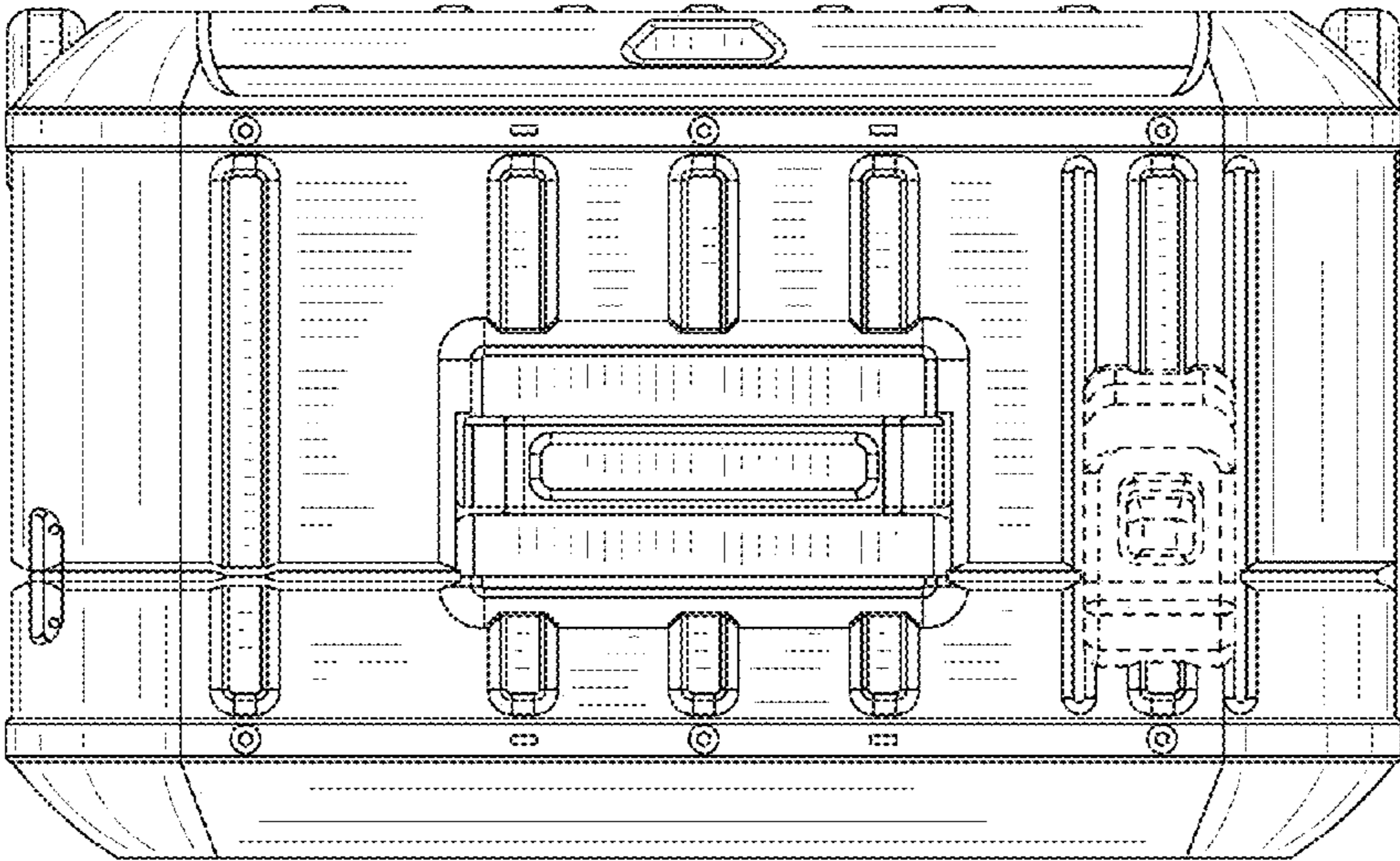


FIG. 6

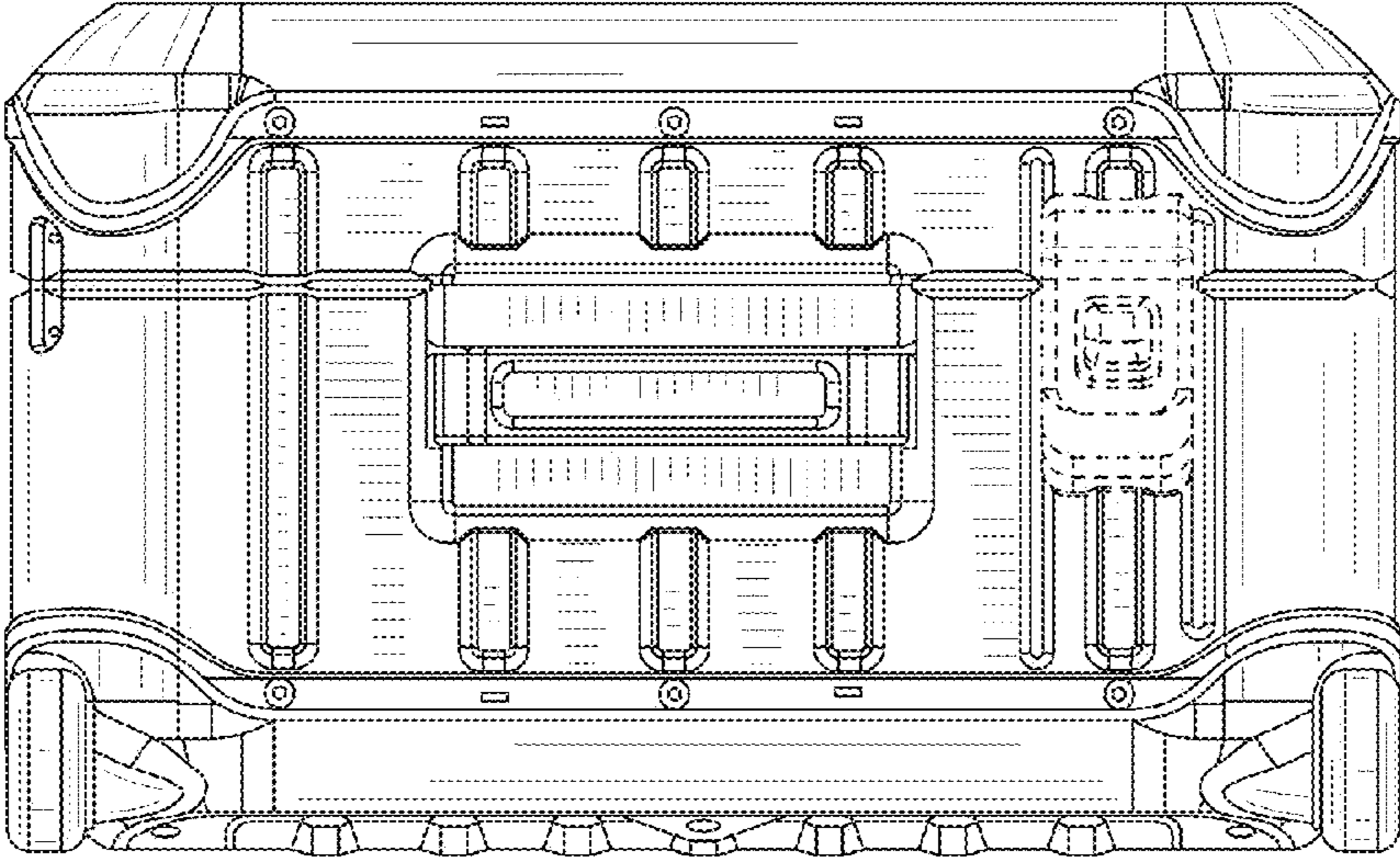


FIG. 7

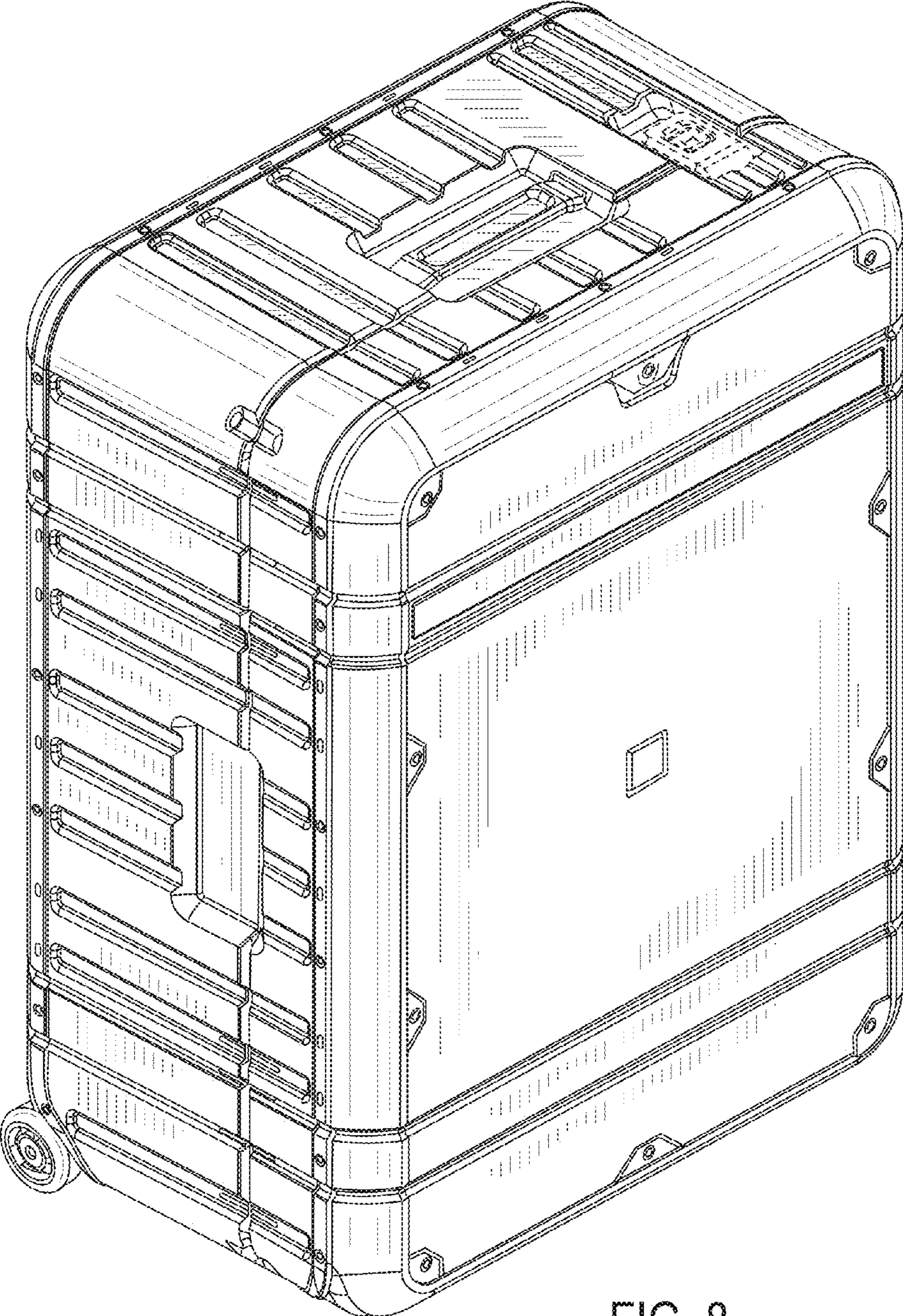


FIG. 8

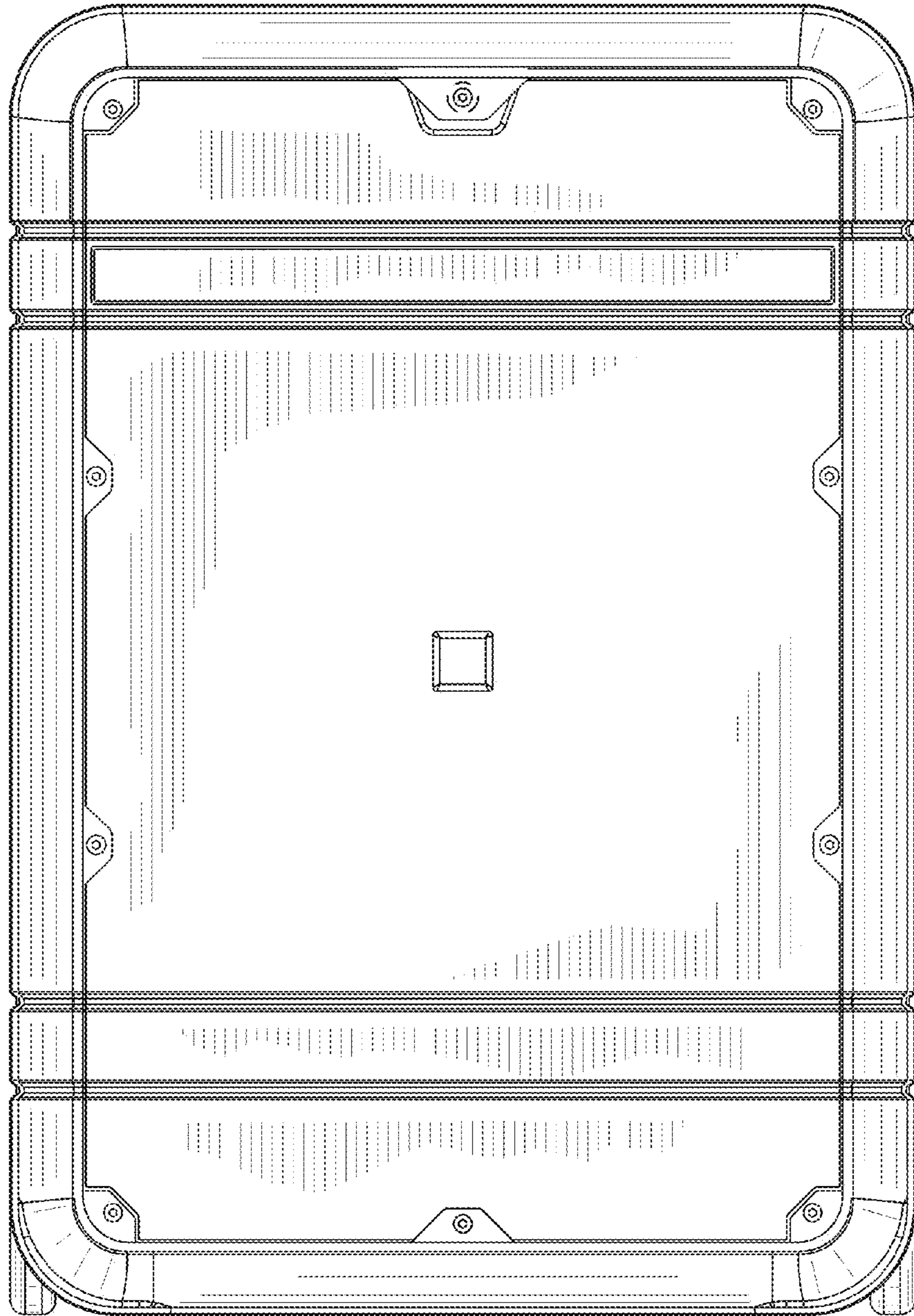


FIG. 9

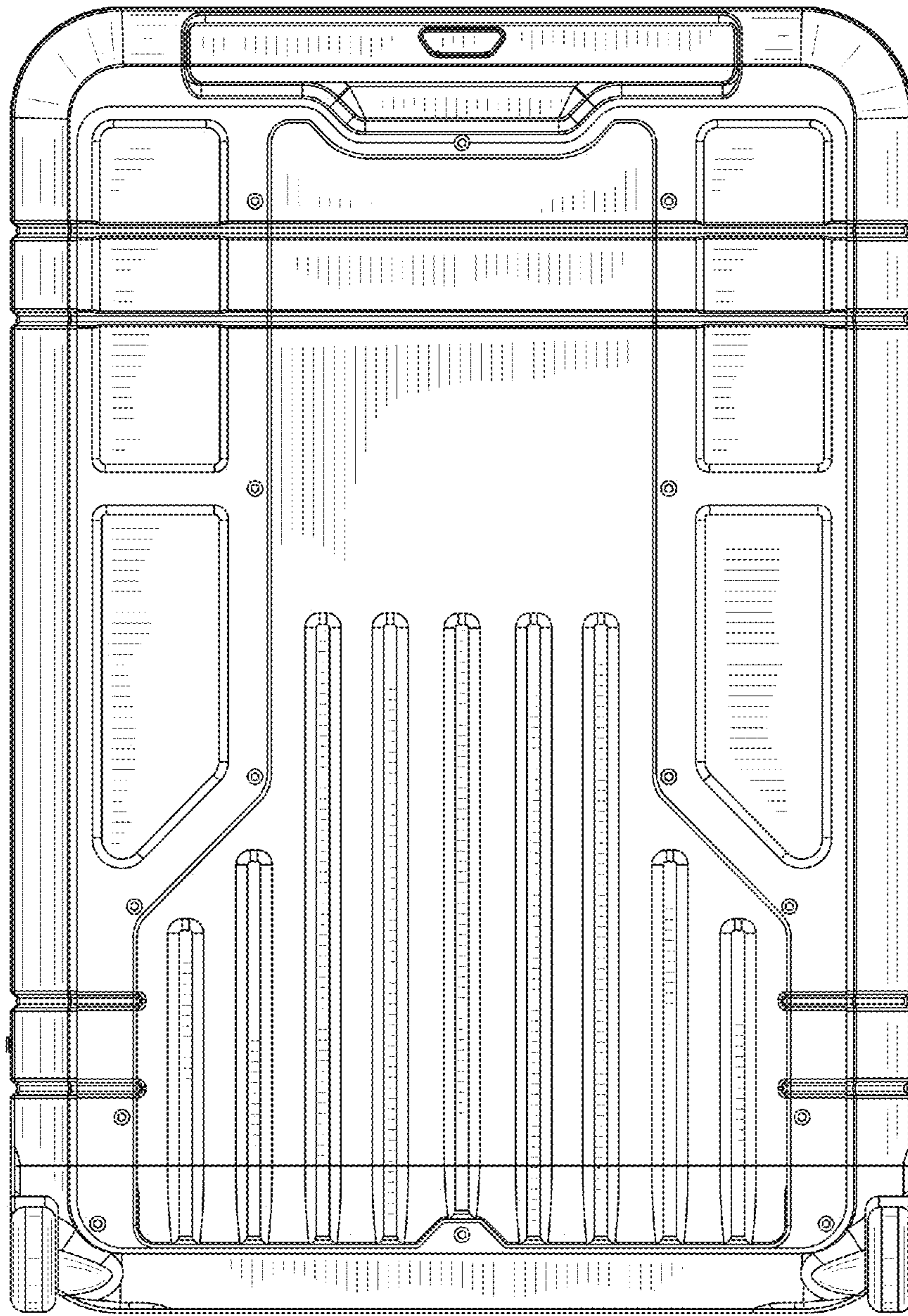


FIG. 10

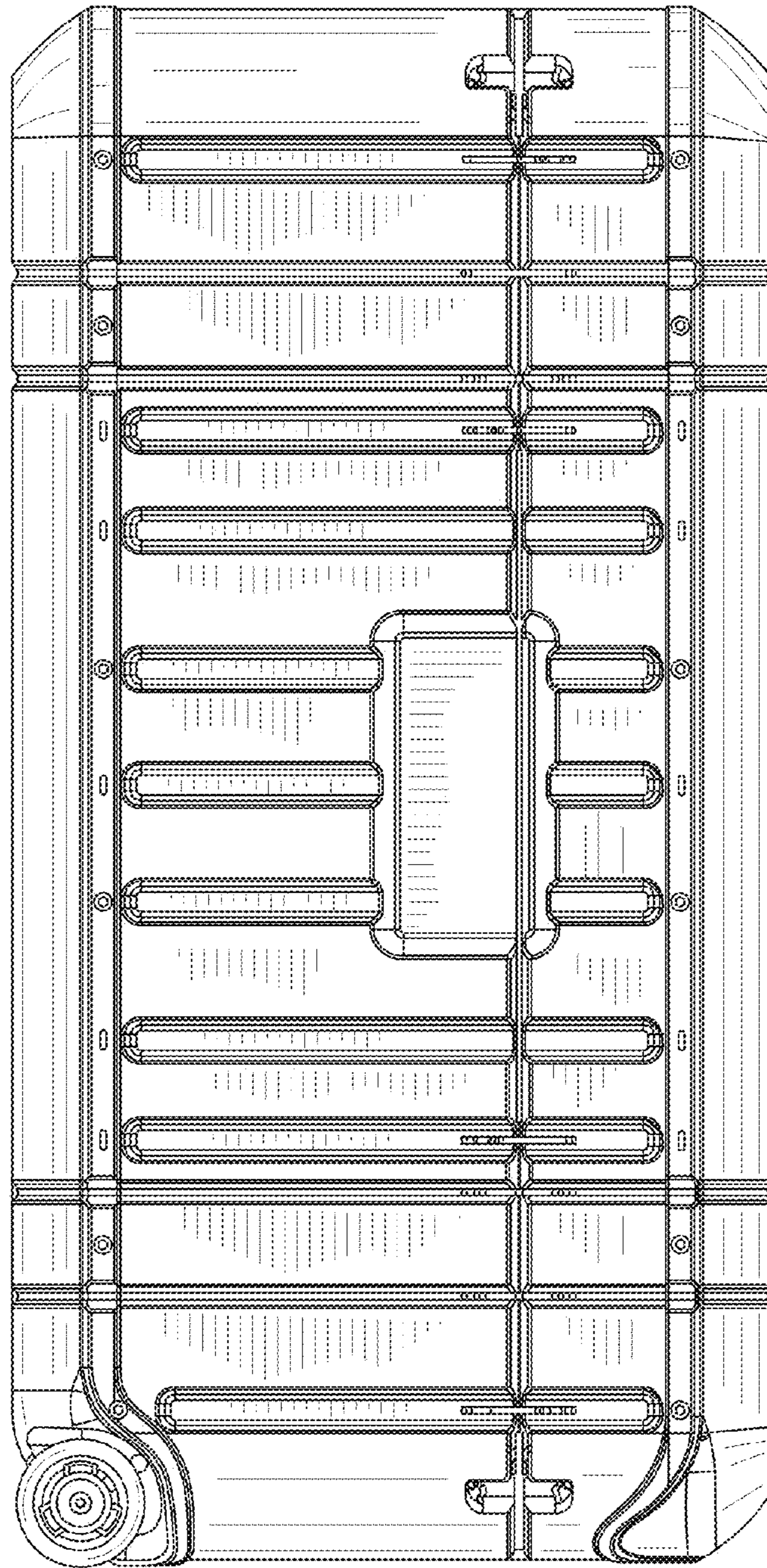


FIG. 11

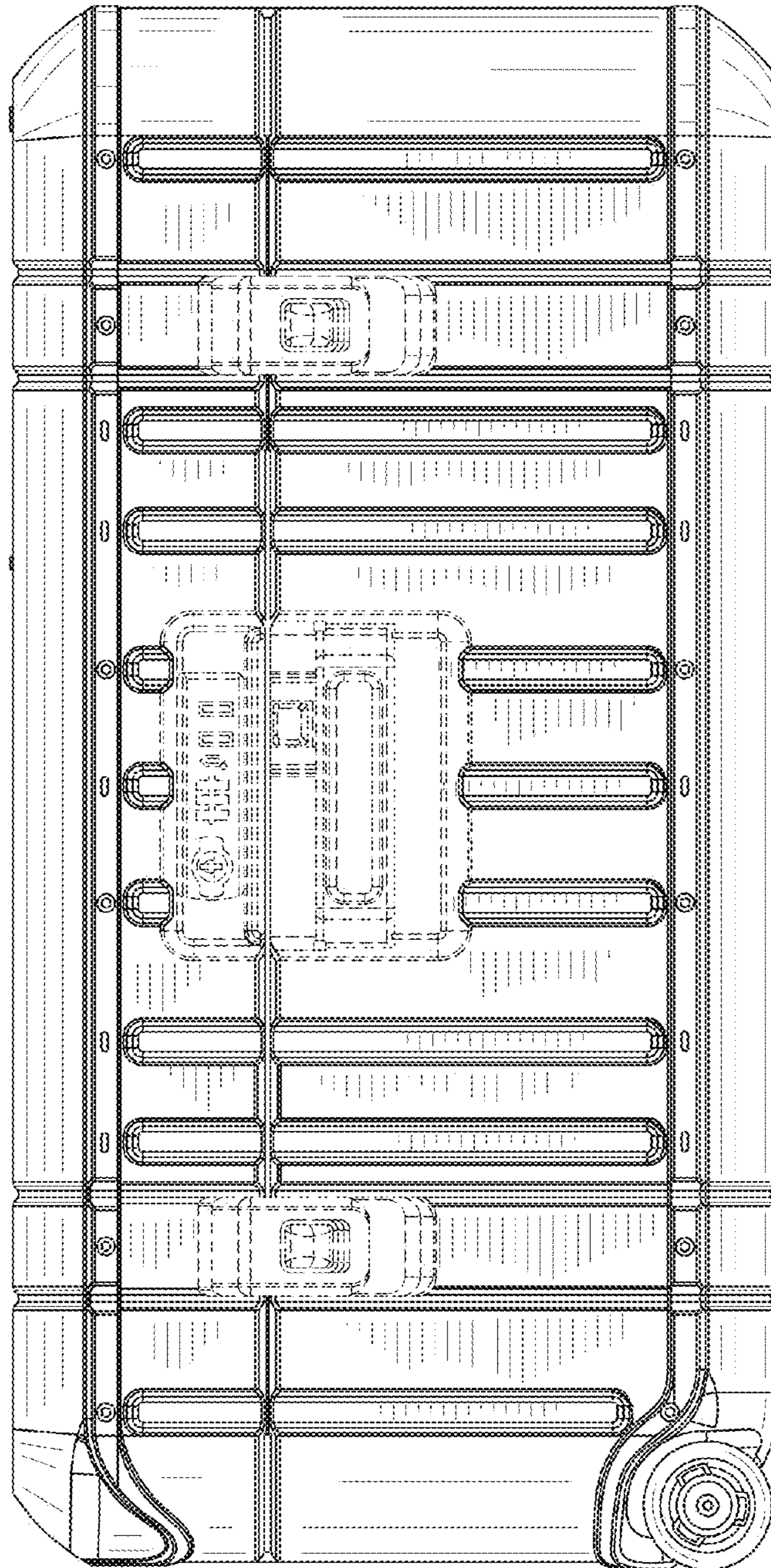


FIG. 12

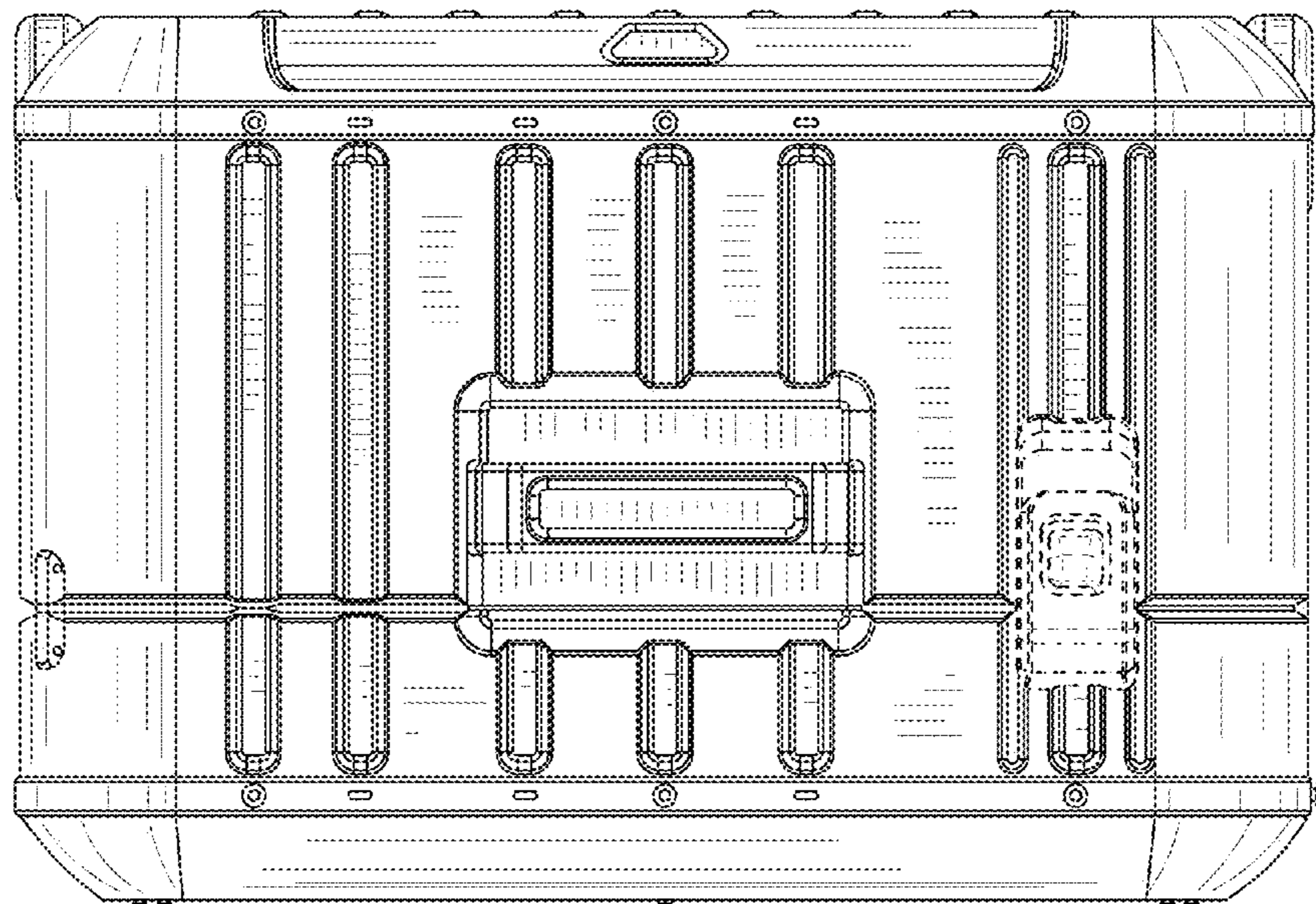


FIG. 13

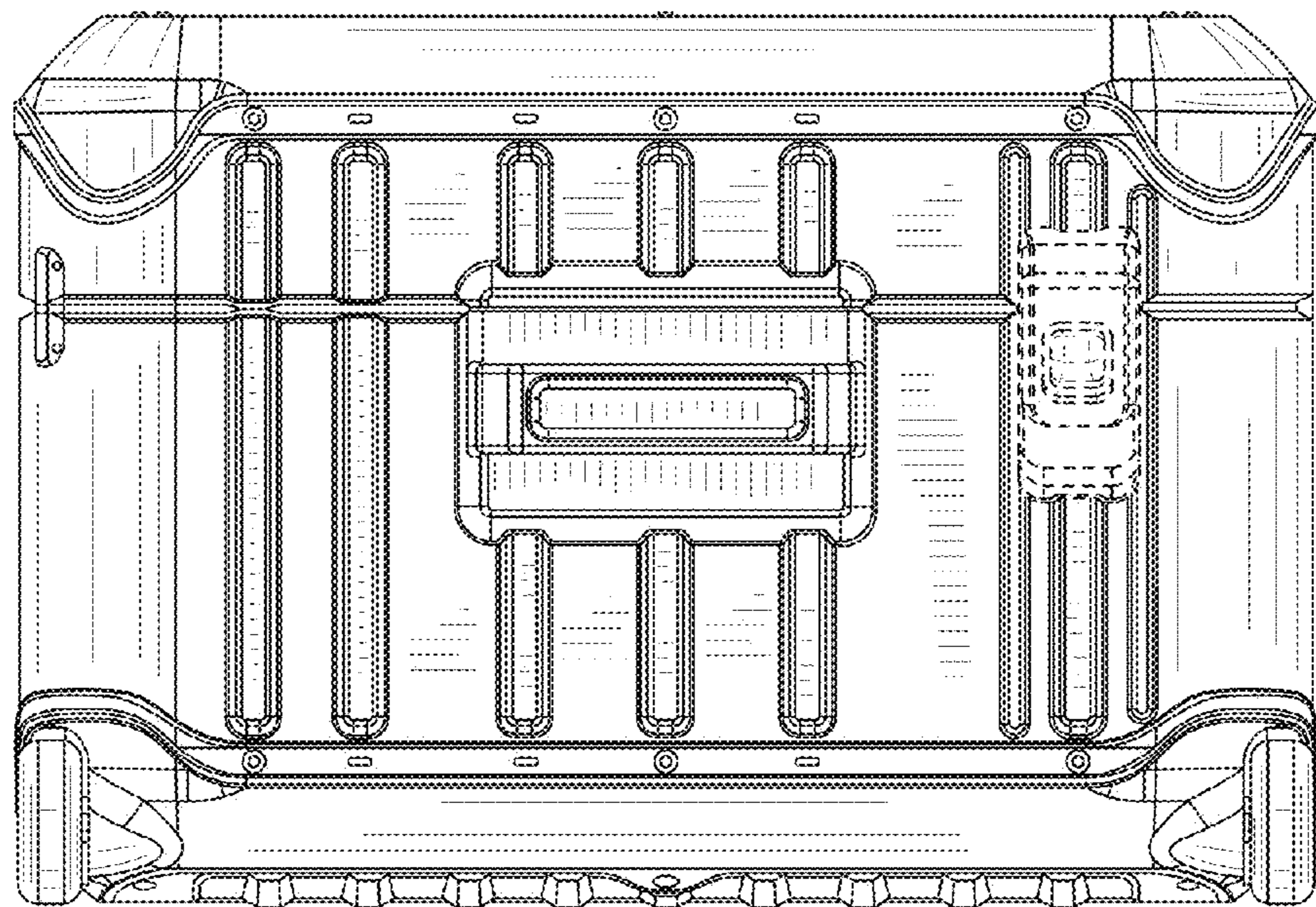


FIG. 14