



US00D759968S

(12) **United States Design Patent**  
**Jarnberg, III**

(10) **Patent No.:** **US D759,968 S**  
(45) **Date of Patent:** **\*\* Jun. 28, 2016**

(54) **TRANSPARENT GOLF BAG**

(71) Applicant: **Carl William Jarnberg, III**, Burbank, CA (US)

(72) Inventor: **Carl William Jarnberg, III**, Burbank, CA (US)

(\*\*) Term: **14 Years**

(21) Appl. No.: **29/525,309**

(22) Filed: **Apr. 28, 2015**

(51) **LOC (10) Cl.** ..... **03-01**

(52) **U.S. Cl.**  
USPC ..... **D3/255**

(58) **Field of Classification Search**

USPC ..... D3/254, 255, 200, 221, 276, 303, 319,  
D3/320, 328.1

CPC ..... A63B 55/00-55/60

See application file for complete search history.

(56) **References Cited**

U.S. PATENT DOCUMENTS

|           |     |        |          |       |                          |
|-----------|-----|--------|----------|-------|--------------------------|
| 1,306,083 | A * | 6/1919 | Smith    | ..... | A63B 55/00<br>206/315.5  |
| 2,985,212 | A * | 5/1961 | Dozier   | ..... | A63B 55/406<br>150/159   |
| 3,316,951 | A * | 5/1967 | Jacobson | ..... | A63B 55/406<br>206/315.3 |

(Continued)

*Primary Examiner* — Mitchell Siegel

(74) *Attorney, Agent, or Firm* — Lewis Roca Rothgerber Christie LLP

(57) **CLAIM**

The ornamental design for transparent golf bag, as shown and described.

**DESCRIPTION**

FIG. 1 is an exploded perspective view of a first embodiment of a transparent golf bag;

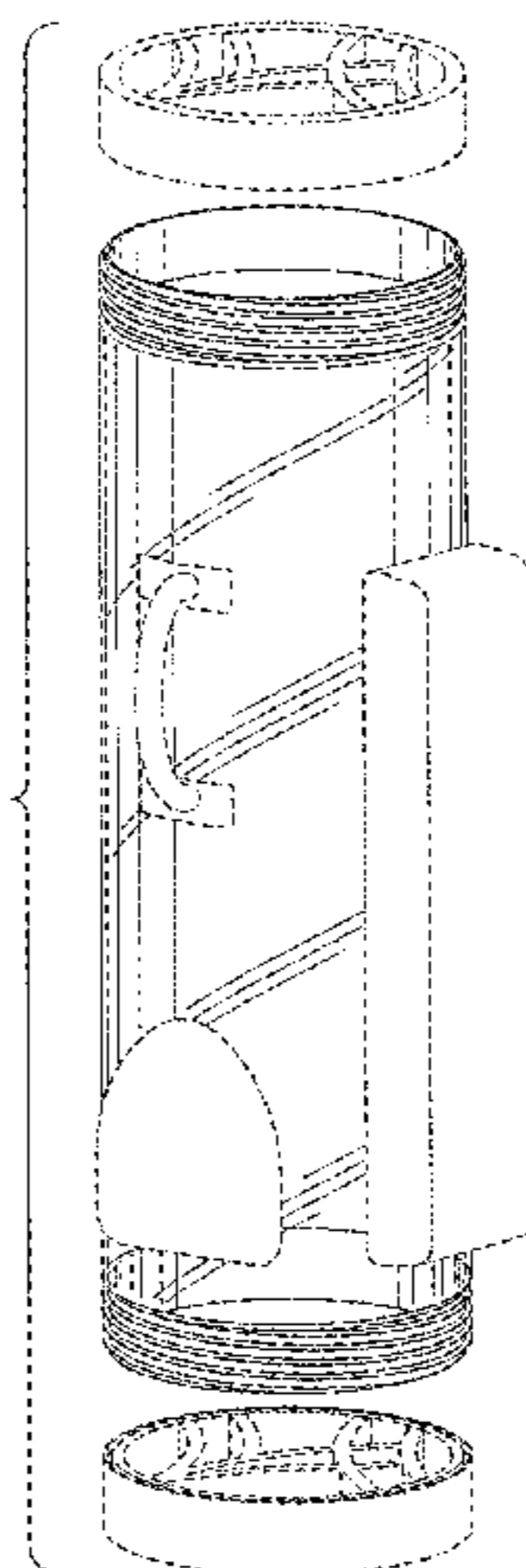
FIG. 2 is a perspective view of the first embodiment;  
 FIG. 3 is a front view of the first embodiment;  
 FIG. 4 is a back view of the first embodiment;  
 FIG. 5 is a top view of the first embodiment; and  
 FIG. 6 is a bottom view of the first embodiment;  
 FIG. 7 is a side view of the first embodiment; and  
 FIG. 8 is an opposite side view of the first embodiment;  
 FIG. 9 is an exploded perspective view of a second embodiment of a transparent golf bag;  
 FIG. 10 is a perspective view of the second embodiment;  
 FIG. 11 is a top view of the second embodiment;  
 FIG. 12 is an exploded perspective view of a third embodiment of a transparent golf bag;  
 FIG. 13 is a perspective view of the third embodiment;  
 FIG. 14 is a front view of the third embodiment;  
 FIG. 15 is a back view of the third embodiment;  
 FIG. 16 is a top view of the third embodiment; and  
 FIG. 17 is a bottom view of the third embodiment;  
 FIG. 18 is a side view of the third embodiment; and  
 FIG. 19 is an opposite side view of the third embodiment;  
 FIG. 20 is an exploded perspective view of a fourth embodiment of a transparent golf bag;  
 FIG. 21 is a perspective view of the fourth embodiment; and  
 FIG. 22 is a top view of the fourth embodiment.

The broken lines shown in the drawings illustrate portions (e.g., transparent portions) of the transparent golf bag that form no part of the claimed design.

The front, back, bottom, side, and opposite side views of the second embodiment are the same as the front, back, bottom, side, and opposite side views of the first embodiment, respectively. Thus, these views of the second embodiment have not been included herein as they would be redundant.

The front, back, bottom, side, and opposite side views of the third embodiment are the same as the front, back, bottom, side, and opposite side views of the fourth embodiment, respectively. Thus, these views of the fourth embodiment have not been included herein as they would be redundant.

**1 Claim, 10 Drawing Sheets**



(56)

**References Cited**

U.S. PATENT DOCUMENTS

|           |     |         |              |                          |           |     |        |                  |                         |
|-----------|-----|---------|--------------|--------------------------|-----------|-----|--------|------------------|-------------------------|
| 3,707,279 | A * | 12/1972 | Kaiser ..... | A63B 47/005<br>206/315.4 | 4,953,697 | A * | 9/1990 | Stanley .....    | A63B 55/406<br>150/159  |
| 4,234,025 | A * | 11/1980 | Berge .....  | A63B 55/406<br>150/160   | 4,953,768 | A * | 9/1990 | Muse .....       | A63B 55/406<br>150/159  |
| 4,453,632 | A * | 6/1984  | Clower ..... | A63B 55/406<br>150/160   | 5,217,113 | A * | 6/1993 | Kobayashi .....  | A63B 55/00<br>206/315.3 |
| 4,752,004 | A * | 6/1988  | Very .....   | A63B 55/406<br>150/159   | D461,634  | S * | 8/2002 | Watson, Sr. .... | D3/255                  |
|           |     |         |              |                          | D518,291  | S * | 4/2006 | Zou .....        | D3/255                  |
|           |     |         |              |                          | D653,032  | S * | 1/2012 | Myers .....      | D3/255                  |

\* cited by examiner

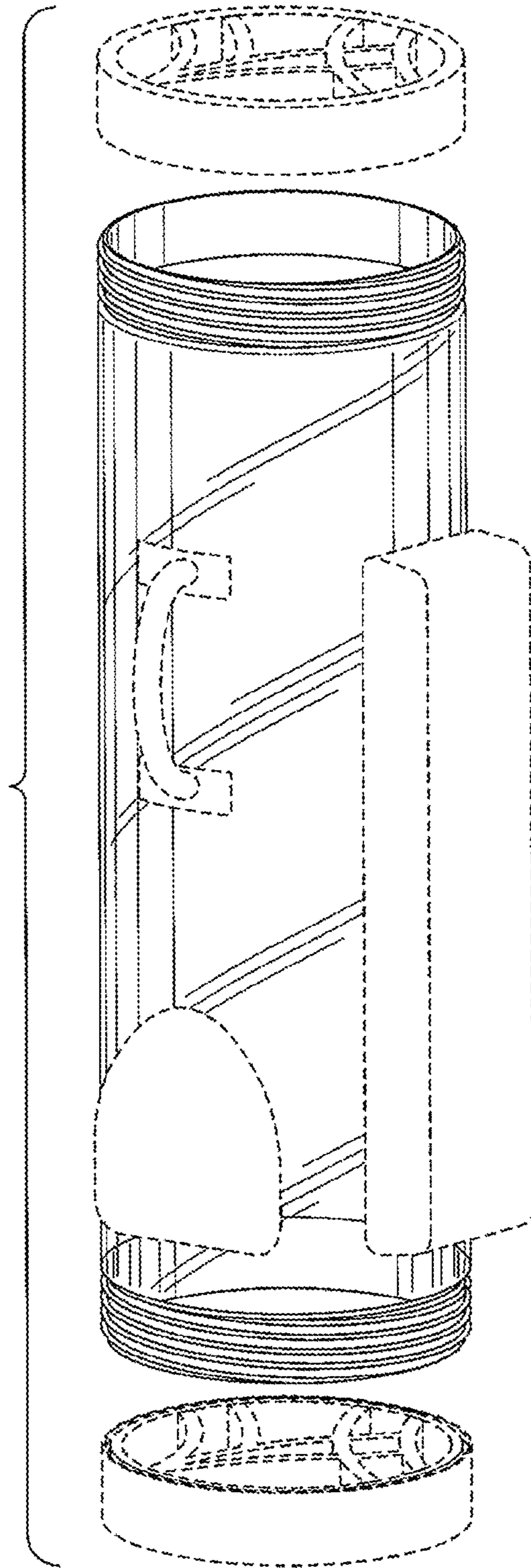


FIG. 1

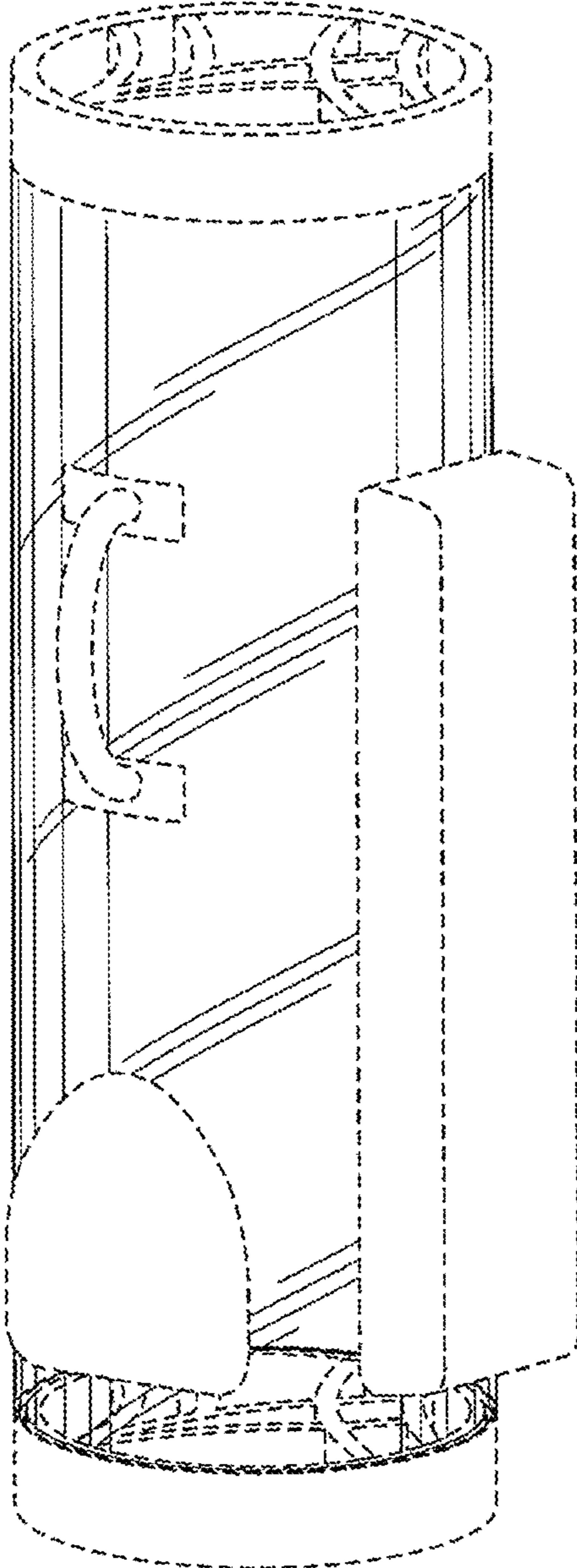


FIG. 2

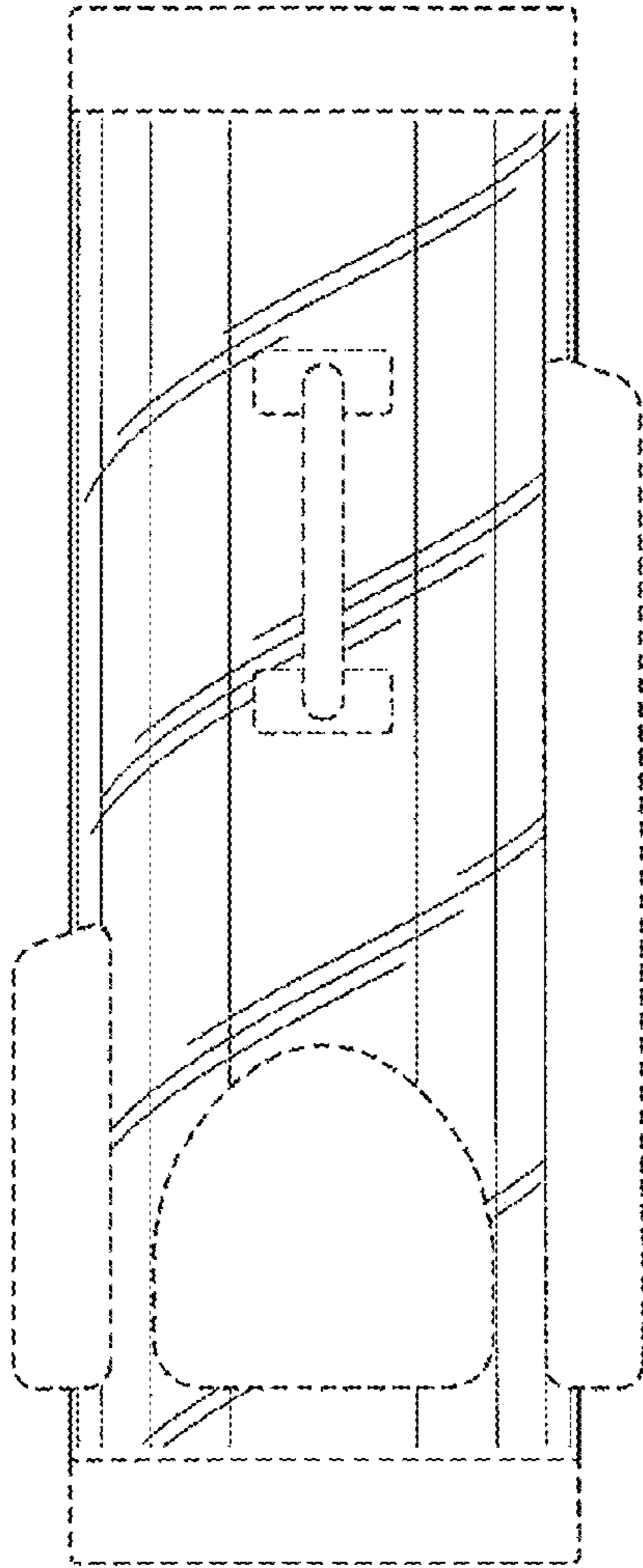


FIG. 3

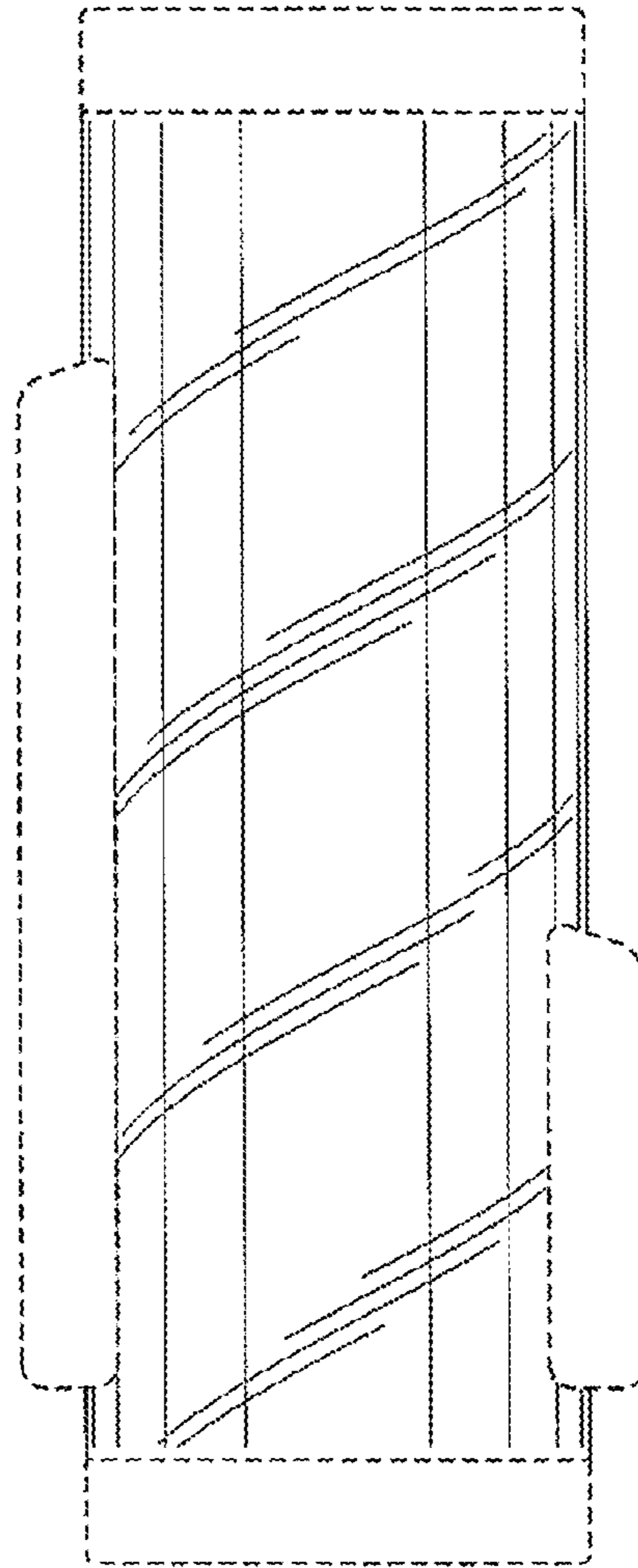


FIG. 4

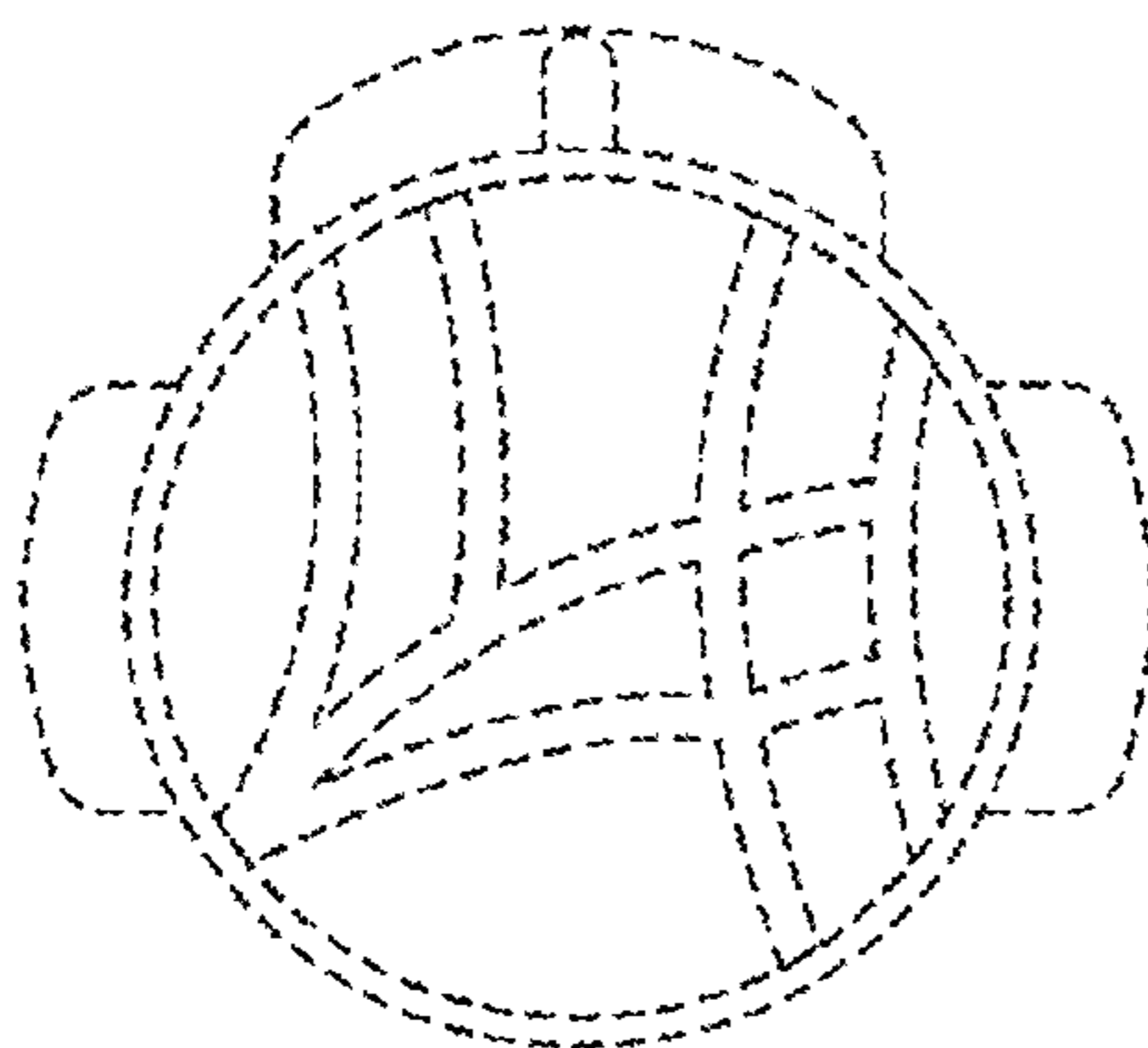


FIG. 5

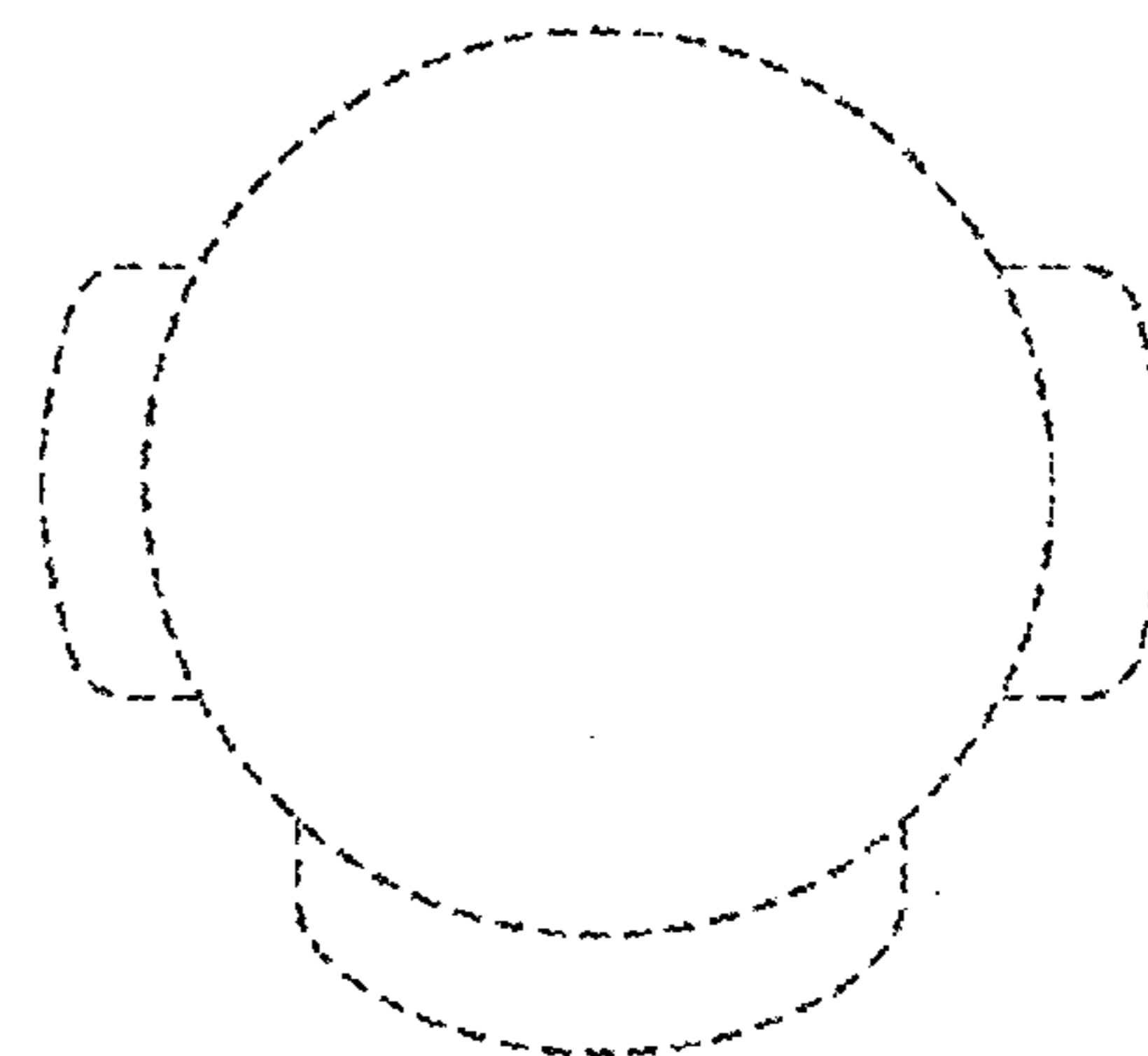


FIG. 6

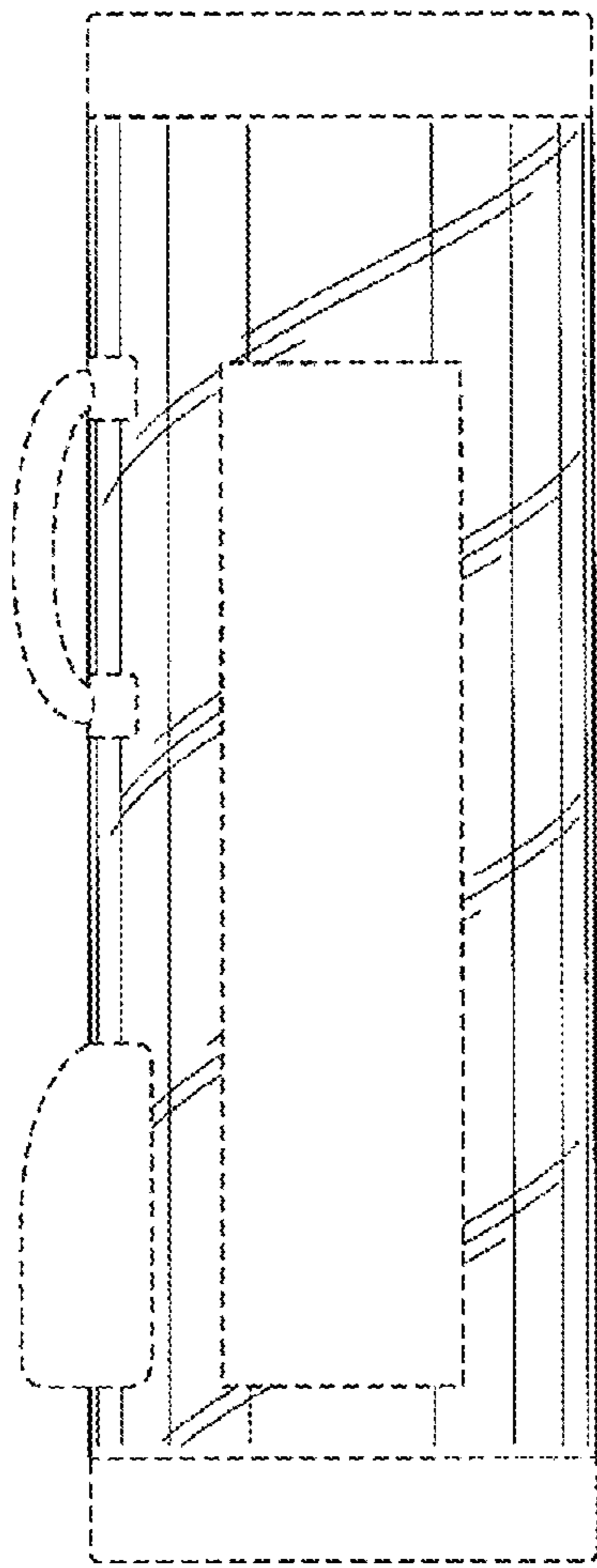


FIG. 7

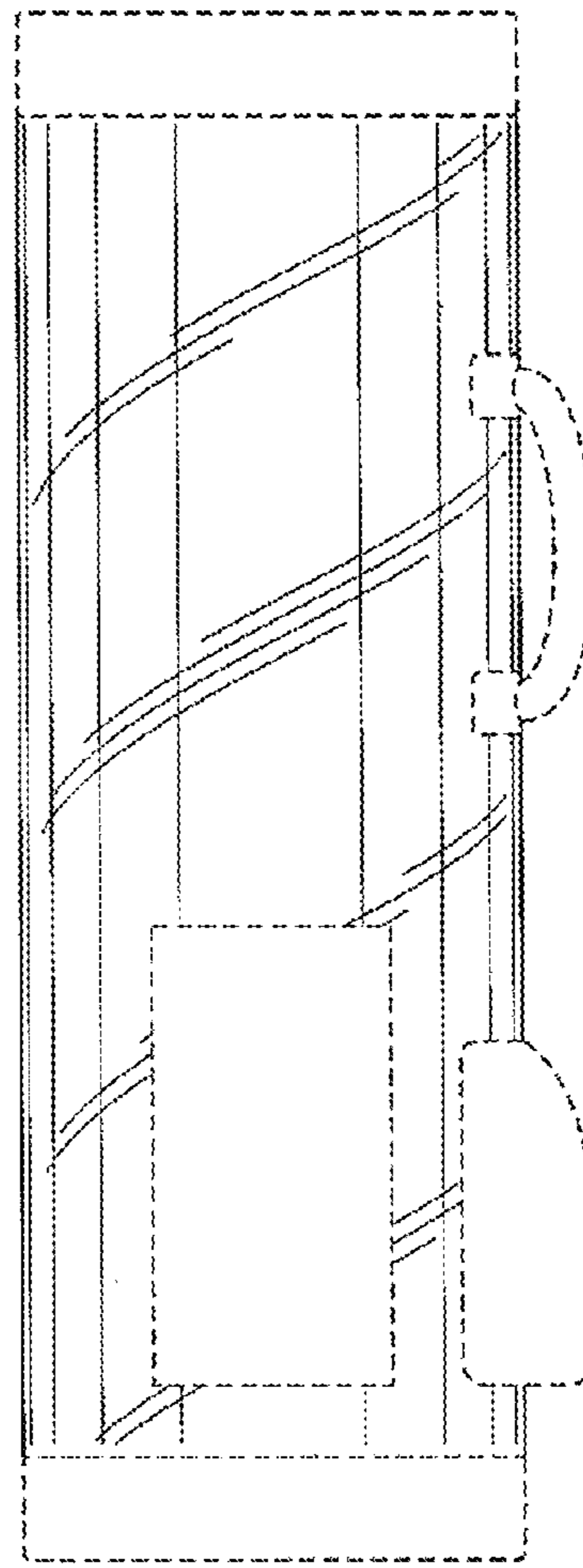


FIG. 8

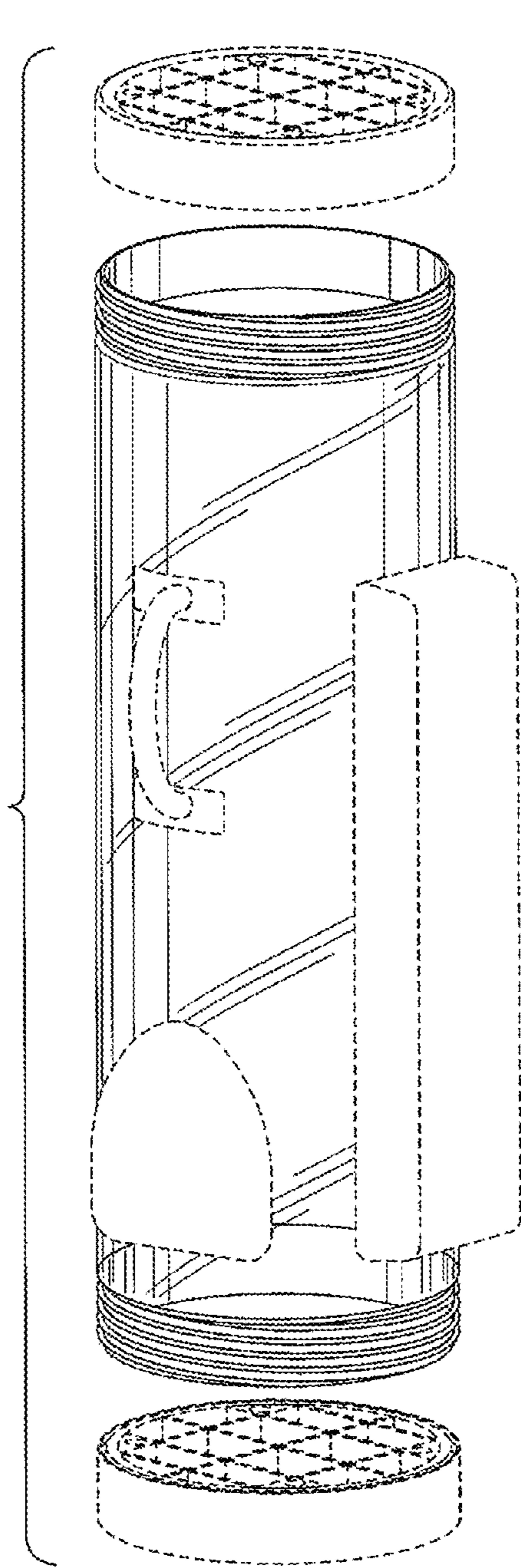


FIG. 9

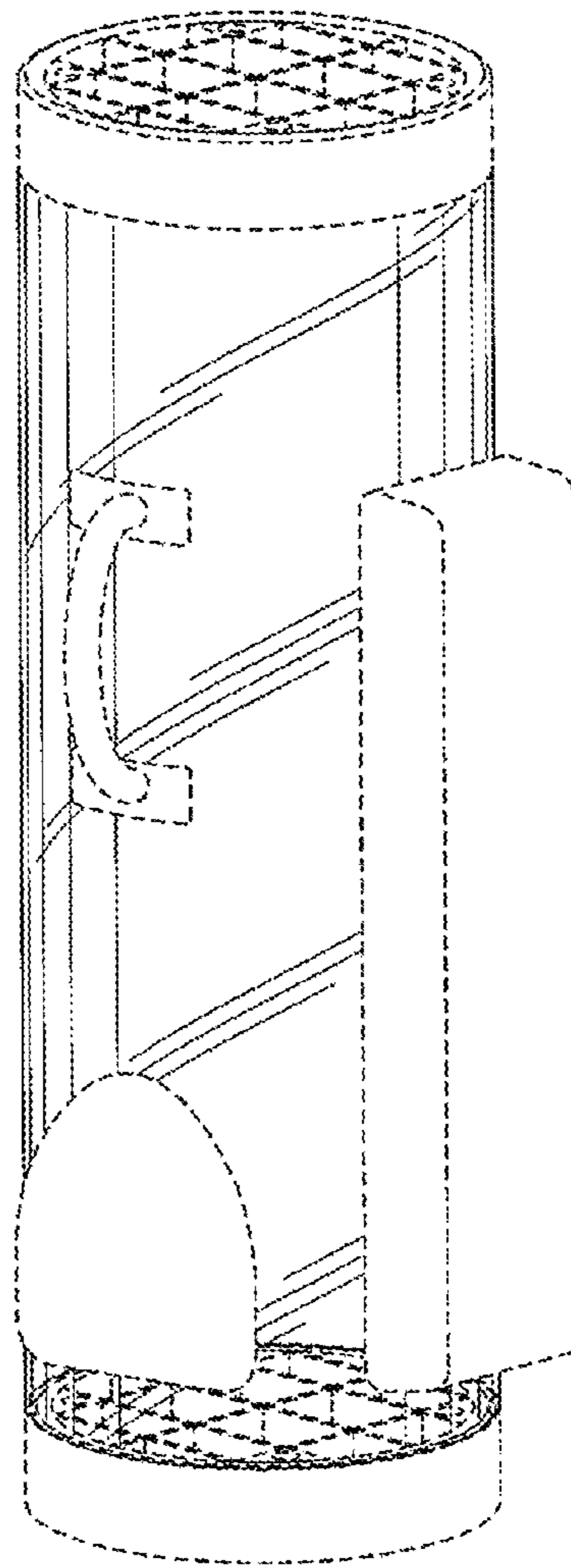


FIG. 10

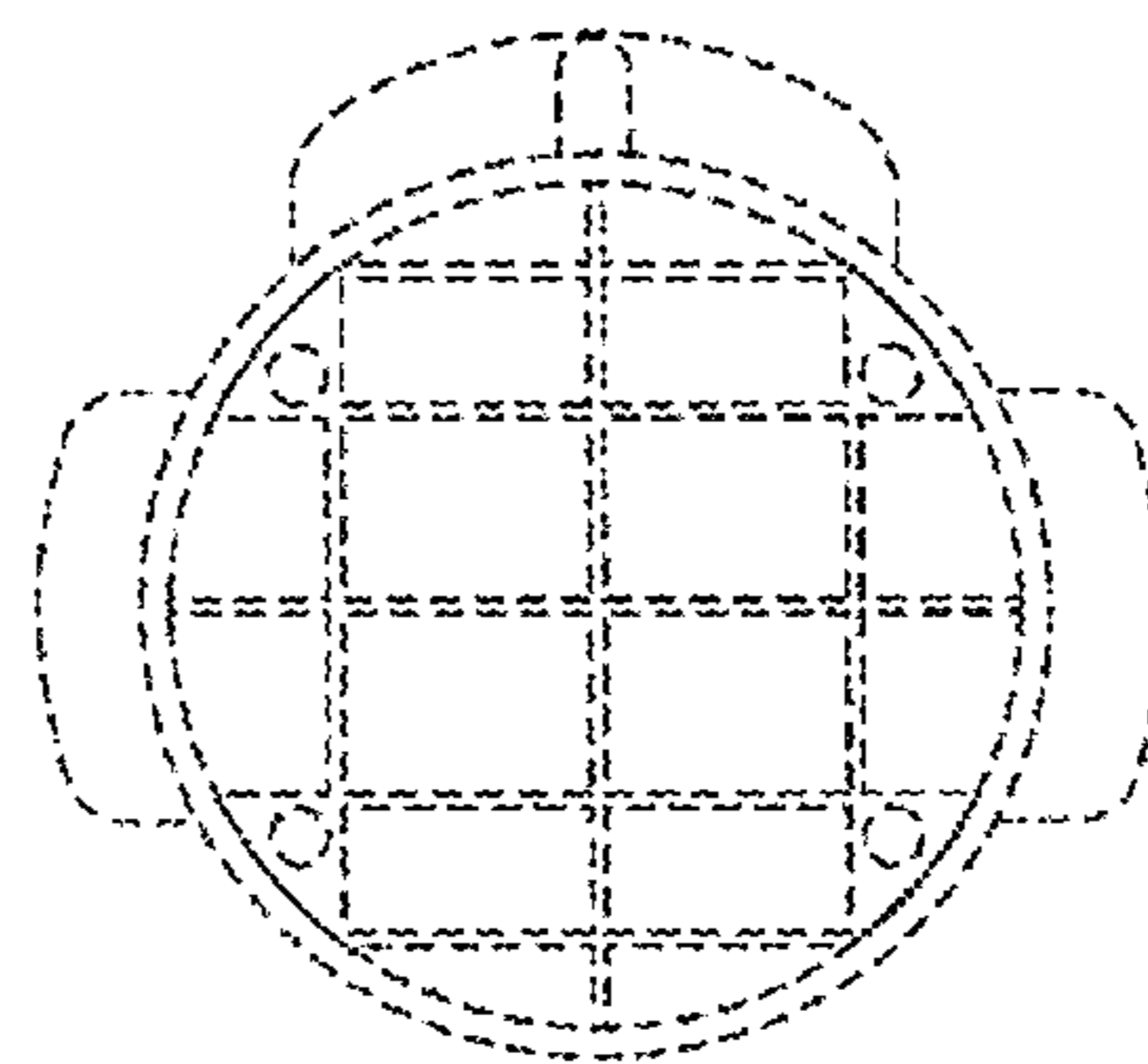


FIG. 11

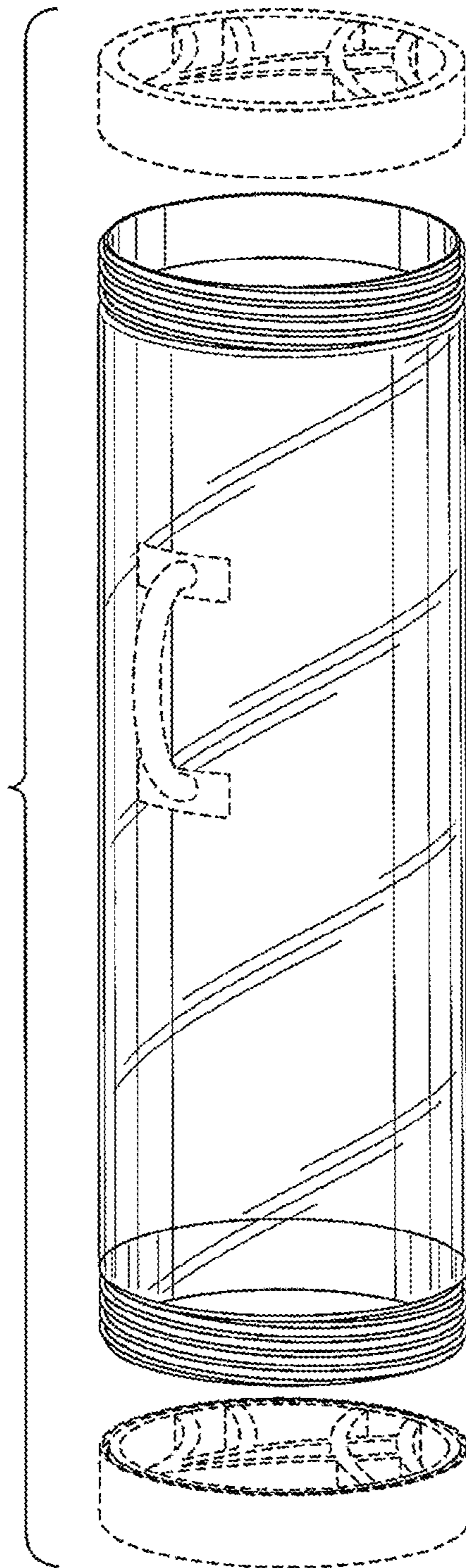


FIG. 12



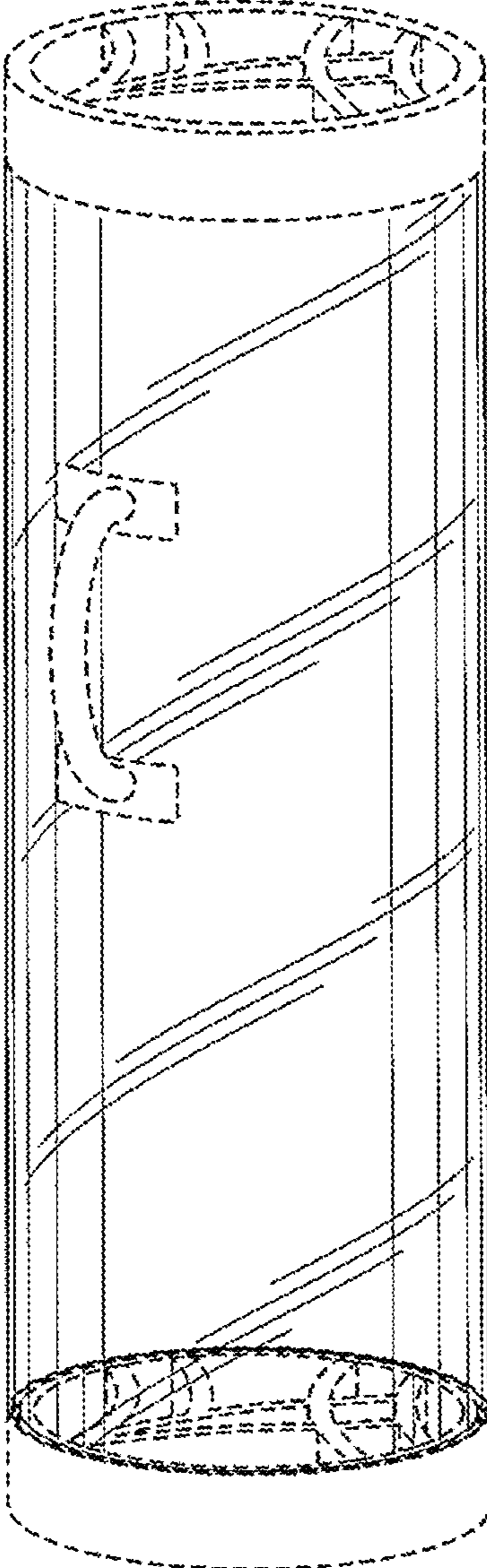


FIG. 13

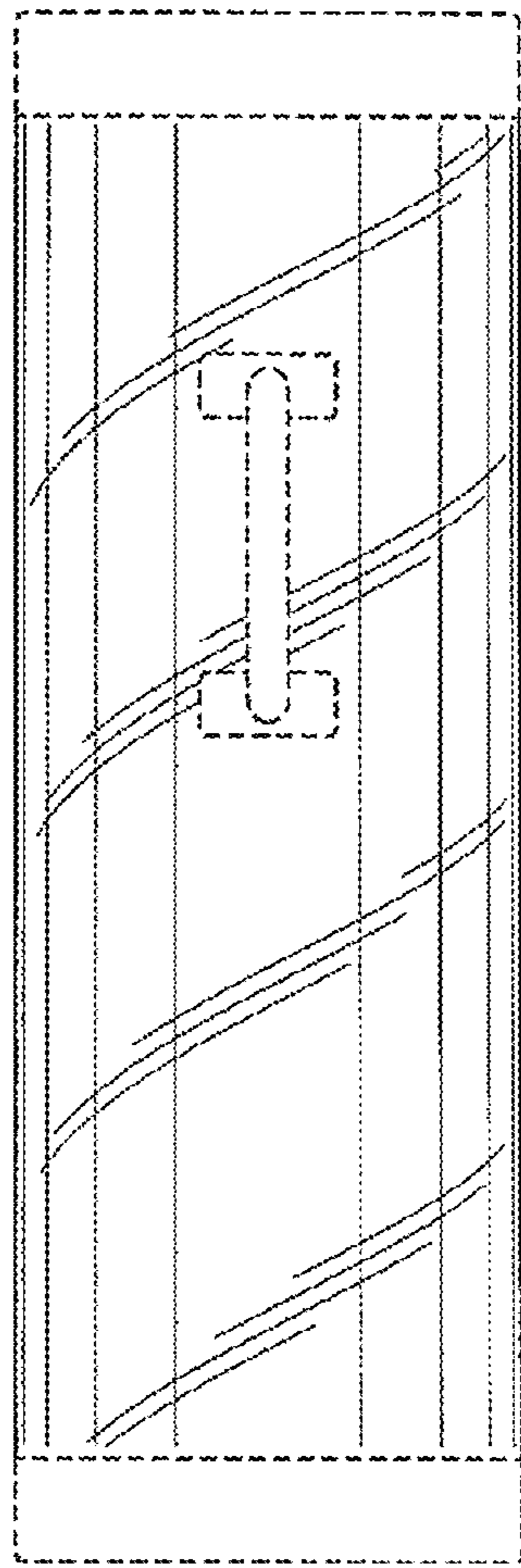


FIG. 14

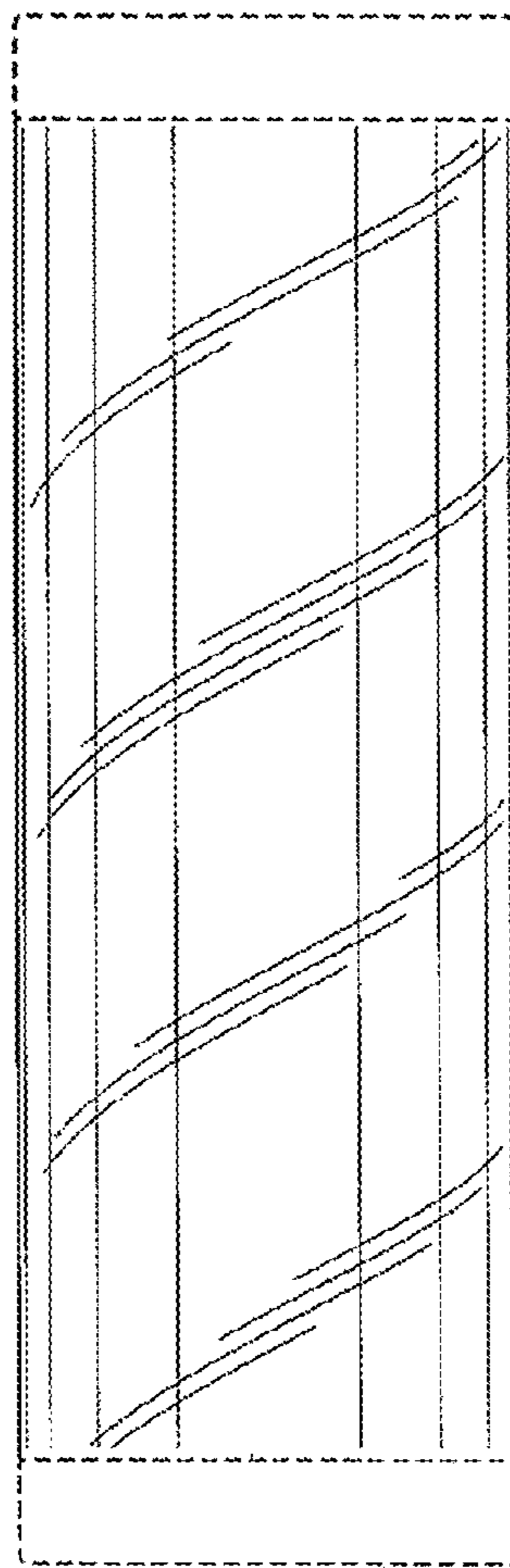


FIG. 15

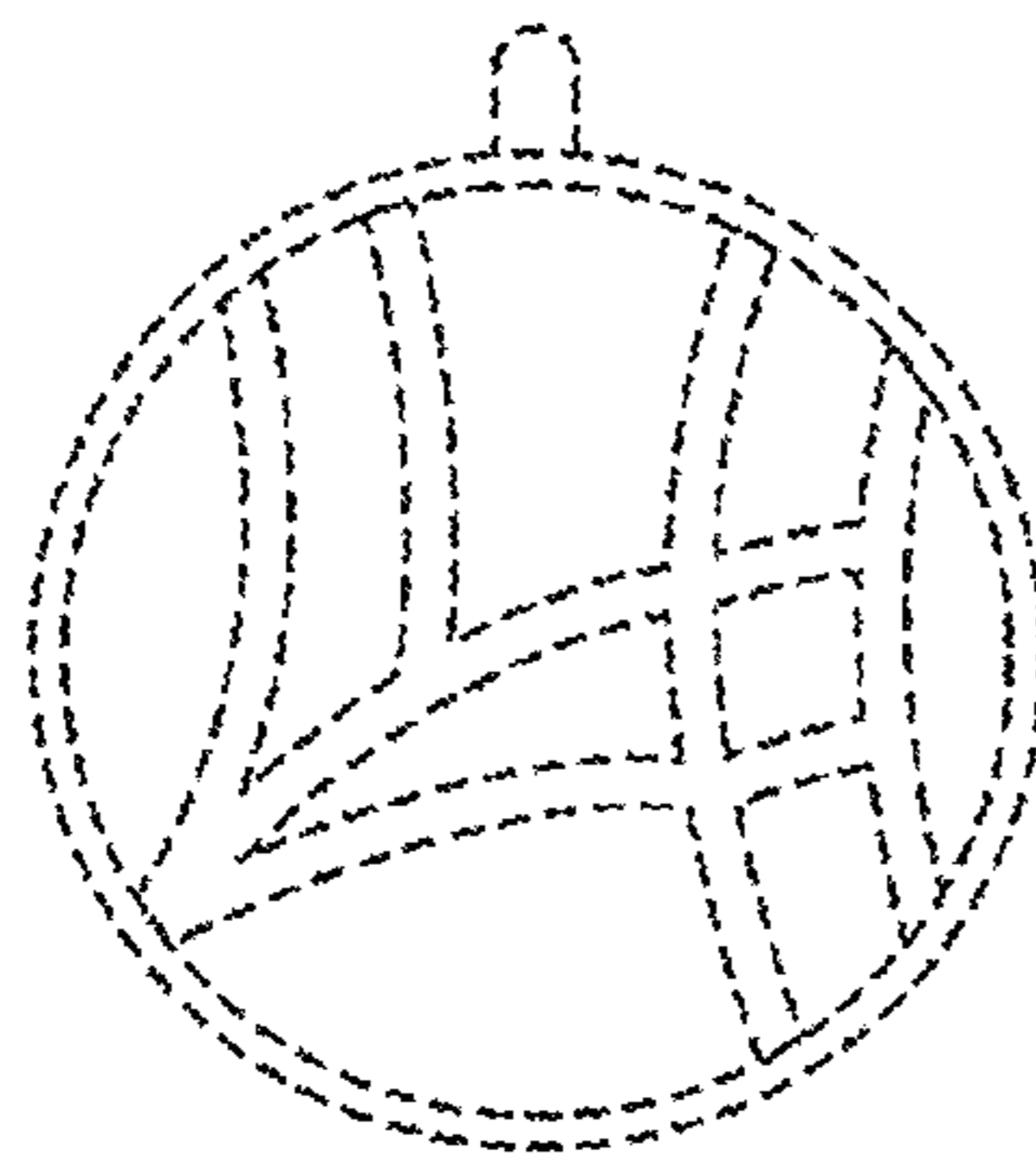


FIG. 16

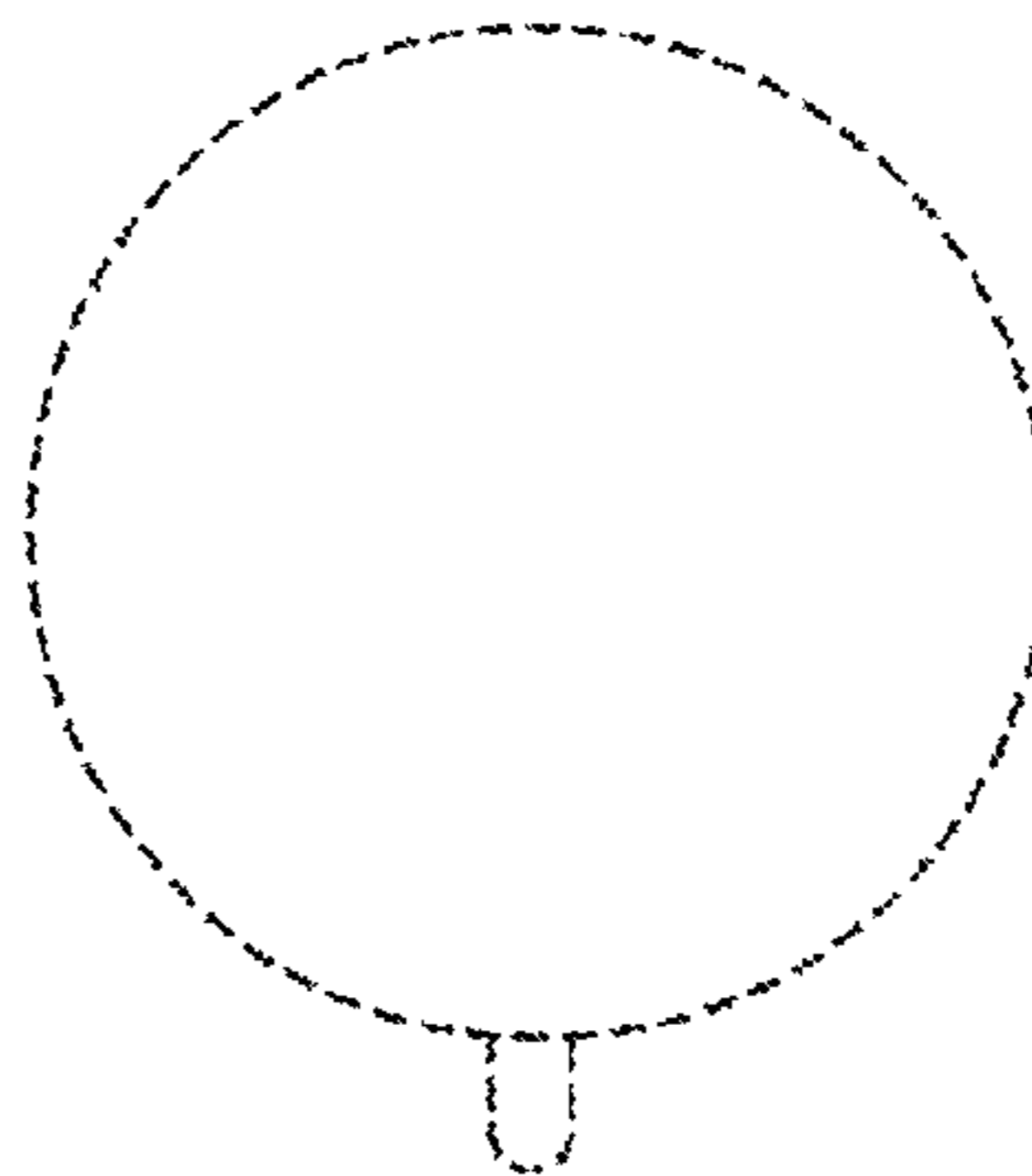


FIG. 17

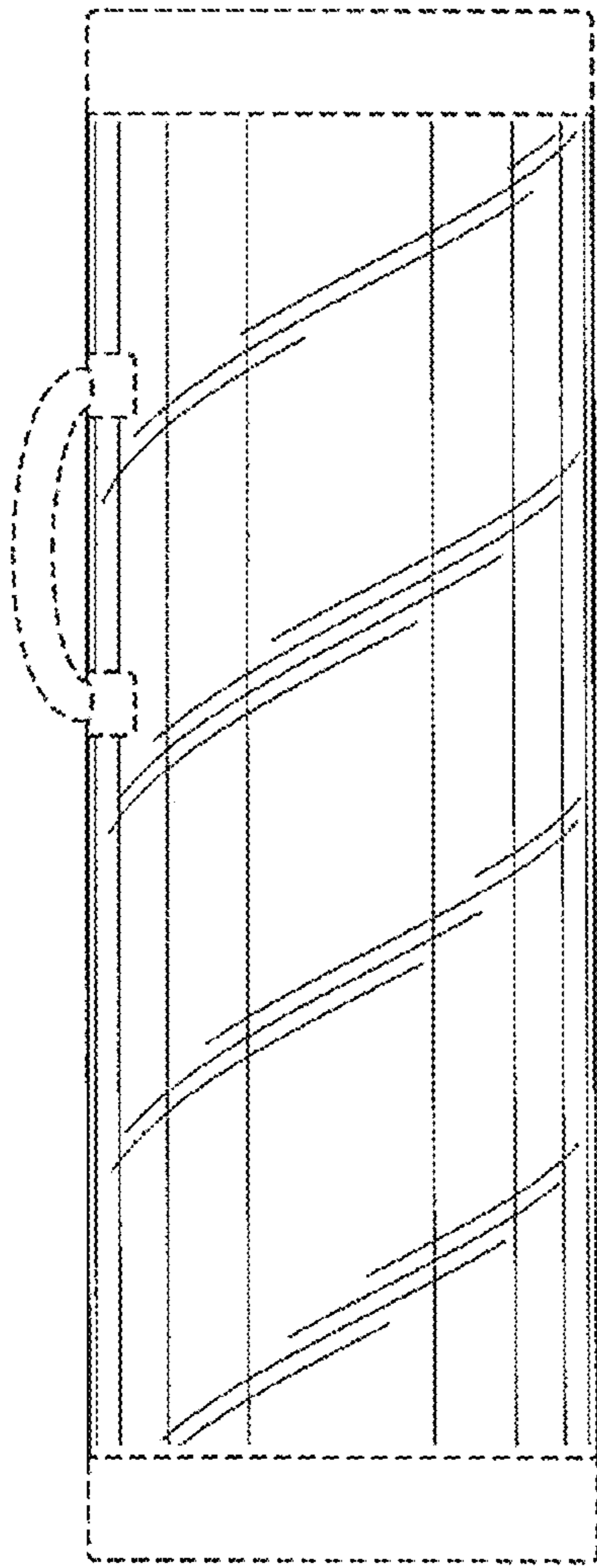


FIG. 18

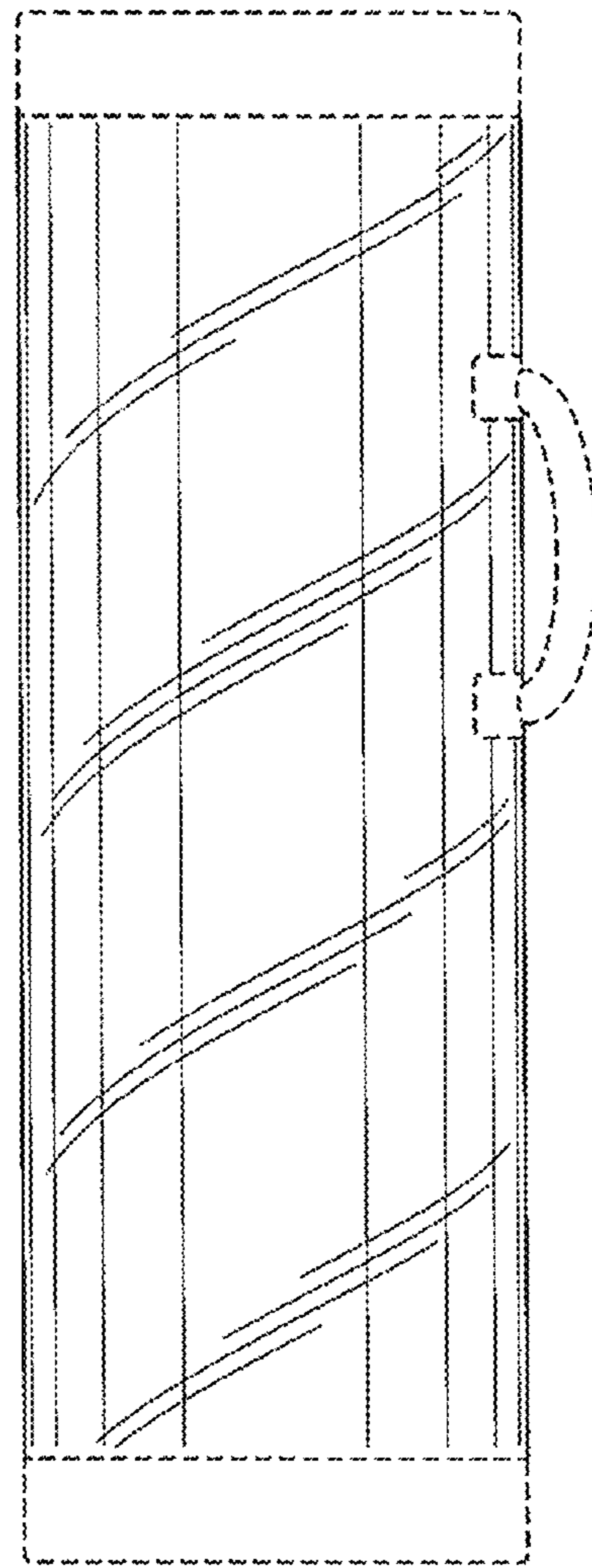


FIG. 19

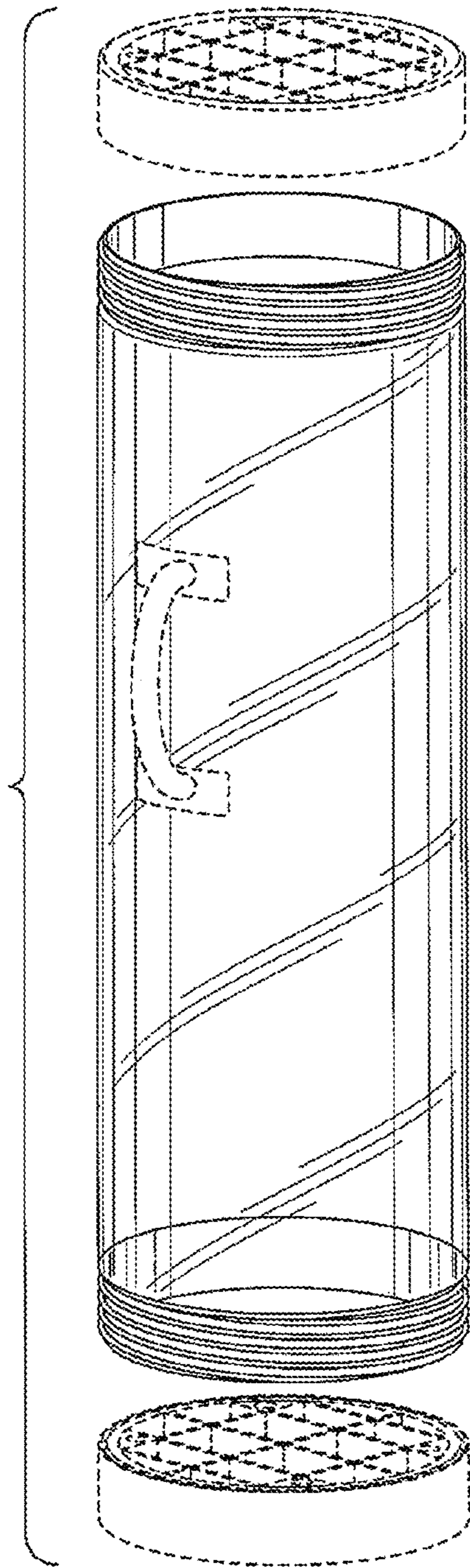


FIG. 20

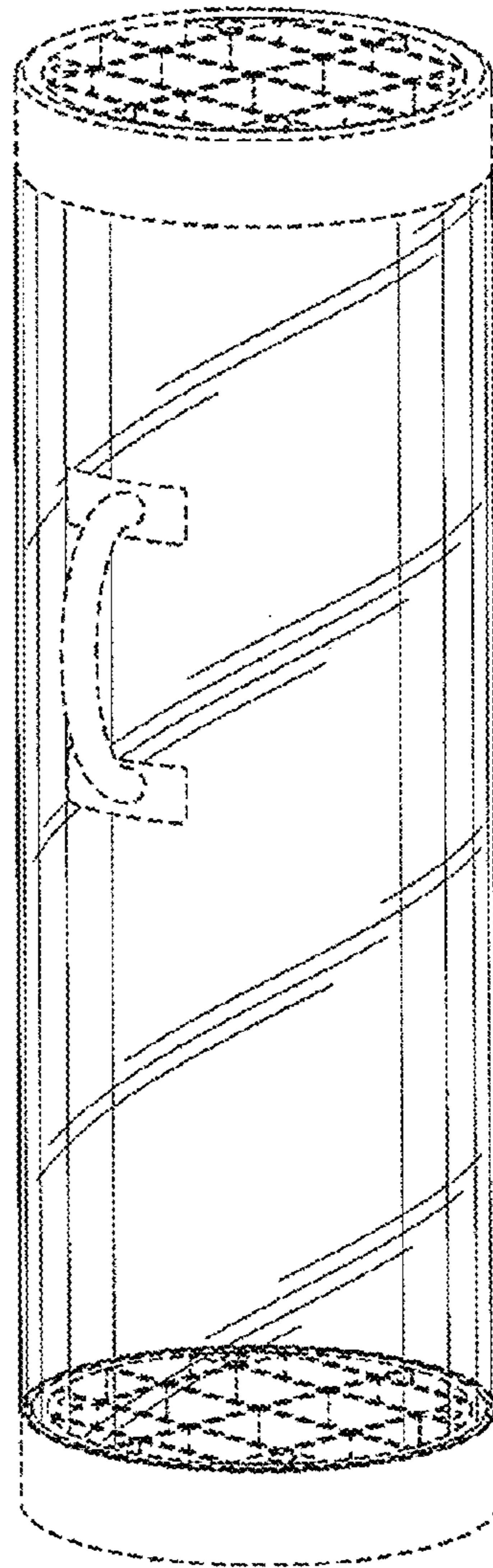


FIG. 21

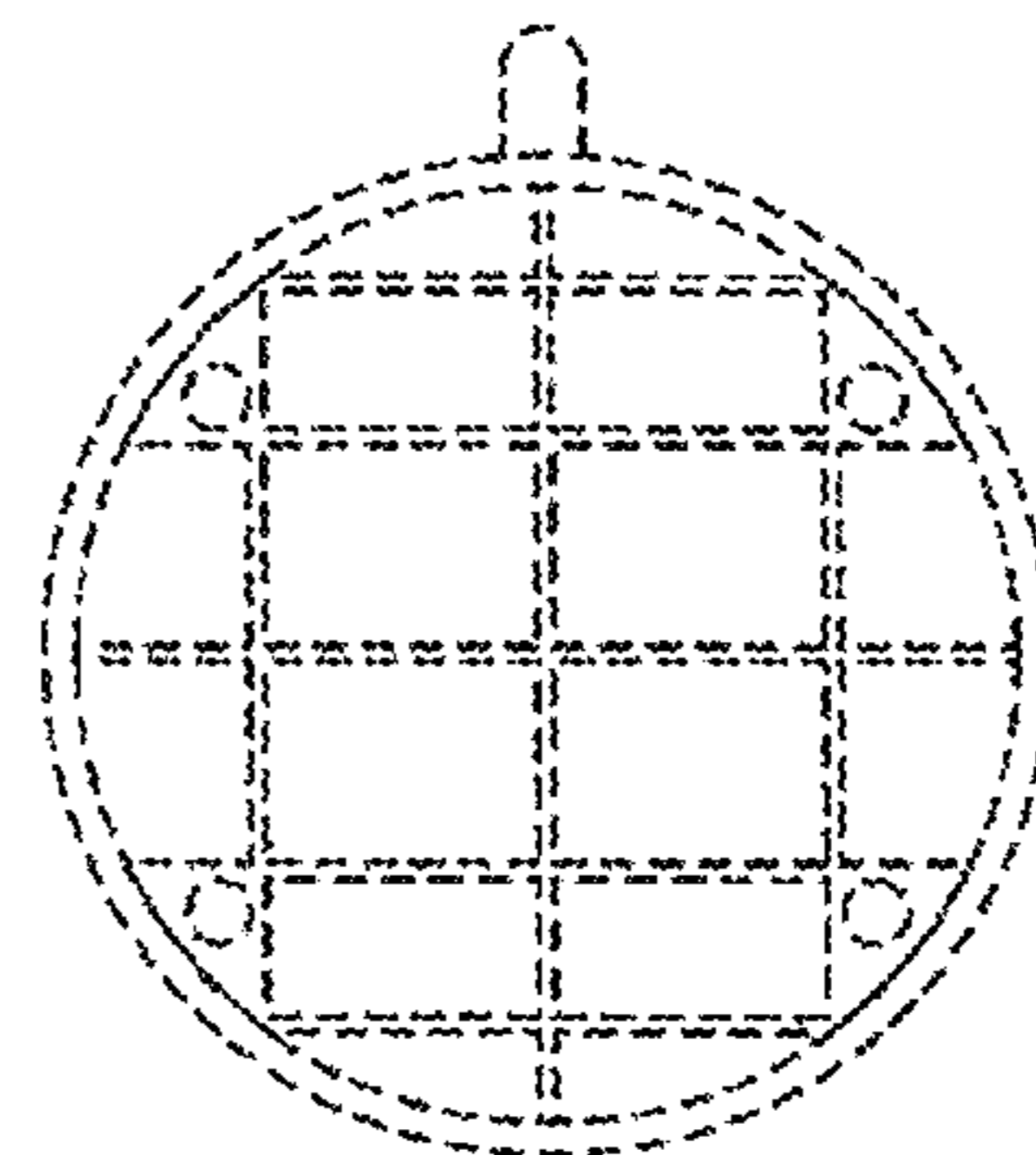


FIG. 22