



US00D759966S

(12) **United States Design Patent**
Pignotti

(10) **Patent No.:** **US D759,966 S**
(45) **Date of Patent:** **** Jun. 28, 2016**

(54) **COMBINATION WALLET PHONE CARRYING CASE**

(71) Applicant: **Christopher Pignotti**, Phoenix, AZ (US)

(72) Inventor: **Christopher Pignotti**, Phoenix, AZ (US)

(**) Term: **14 Years**

(21) Appl. No.: **29/511,562**

(22) Filed: **Dec. 11, 2014**

(51) **LOC (10) Cl.** **03-01**

(52) **U.S. Cl.**
USPC **D3/247**

(58) **Field of Classification Search**
USPC D3/247, 249–253
CPC A45C 1/024; A45C 3/08
See application file for complete search history.

(56) **References Cited**

U.S. PATENT DOCUMENTS

D707,965 S *	7/2014	Requa	D3/247
D713,145 S *	9/2014	Fathollahi	D3/303
D716,045 S *	10/2014	Requa	D3/249
D716,049 S *	10/2014	Fair	D3/303

* cited by examiner

Primary Examiner — Holly Baynham

(74) *Attorney, Agent, or Firm* — Venjuris, P.C.

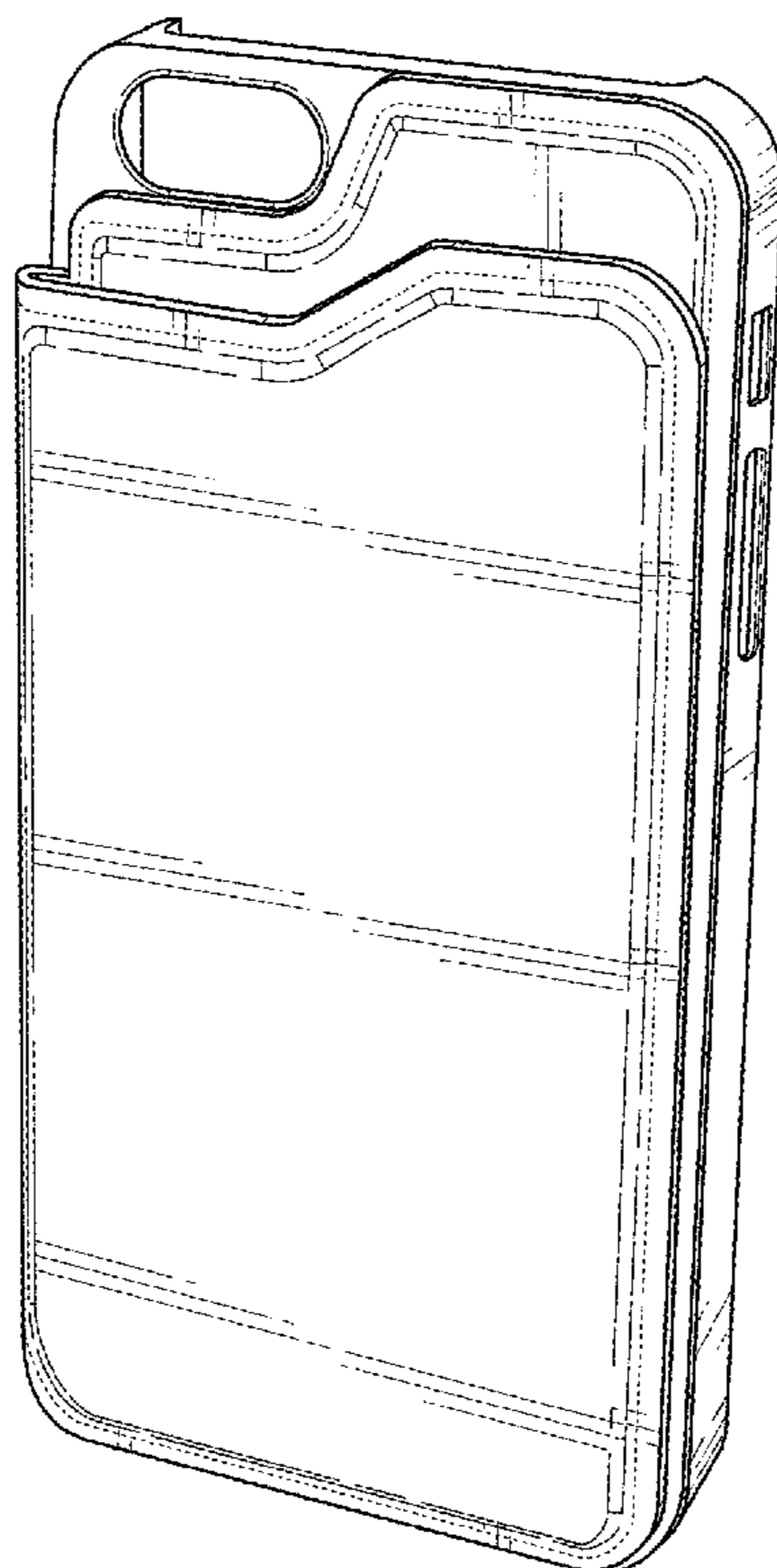
(57) **CLAIM**

The ornamental design for a combination wallet phone carrying case, as shown and described.

DESCRIPTION

FIG. 1 is a perspective view of a wallet phone carrying case; FIG. 2 is a front view thereof; FIG. 3 is a back end view thereof; FIG. 4 is a first side view thereof; FIG. 5 is a second side view thereof; FIG. 6 is a top view thereof; FIG. 7 is a bottom view thereof; FIG. 8 is a perspective view with the carrying case in an open position; FIG. 9 is a front view of the carrying case in an open position; FIG. 10 is a back view of the carrying case in an open position; FIG. 11 is first side view of the carrying case in an open position; FIG. 12 is a second side view of the carrying case in an open position; FIG. 13 is a first end view of the carrying case in an open position; and, FIG. 14 is a second end view of the carrying case in an open position. The broken lines representing stitching are part of the claimed design.

1 Claim, 8 Drawing Sheets



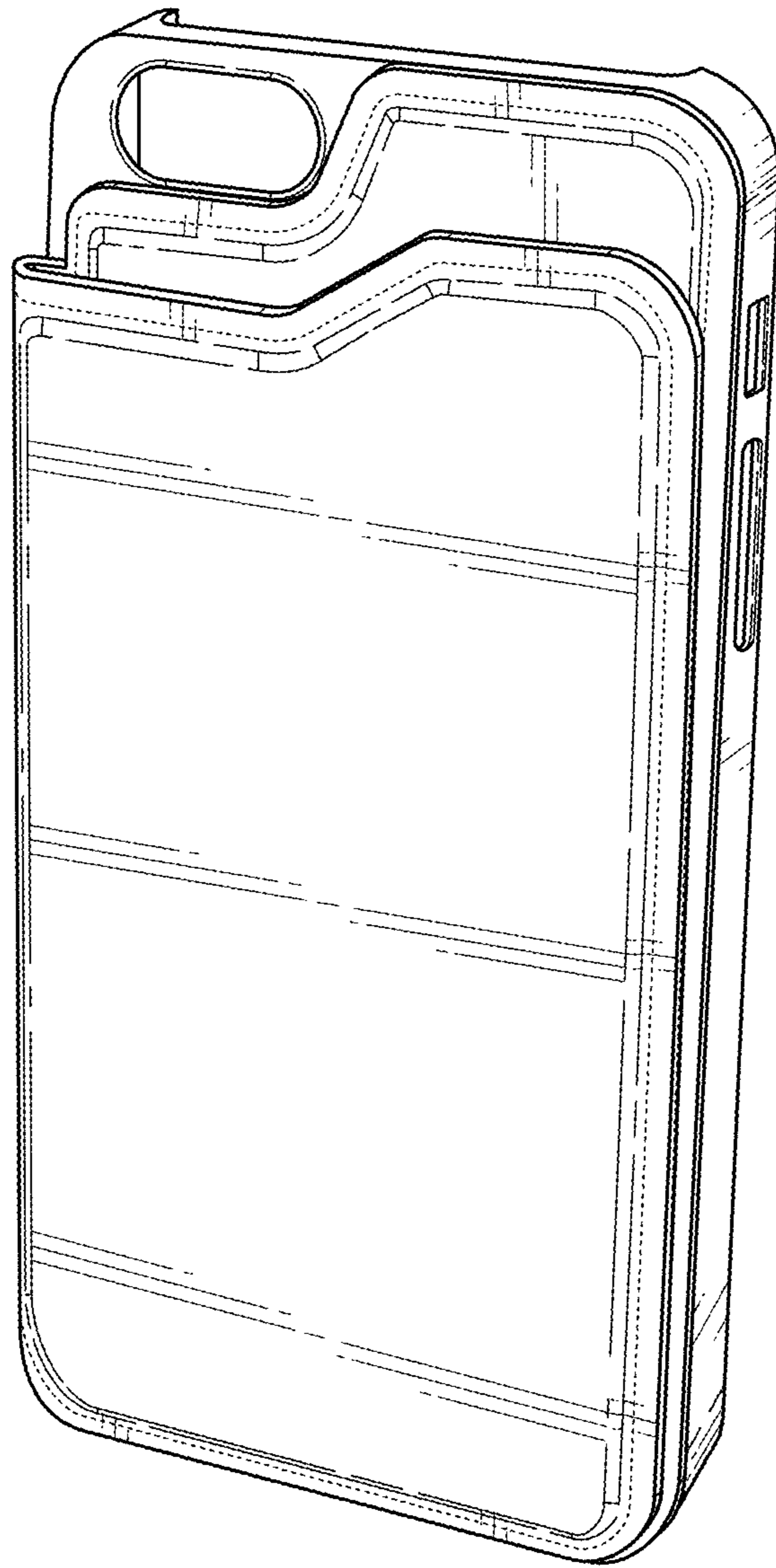


FIG. 1

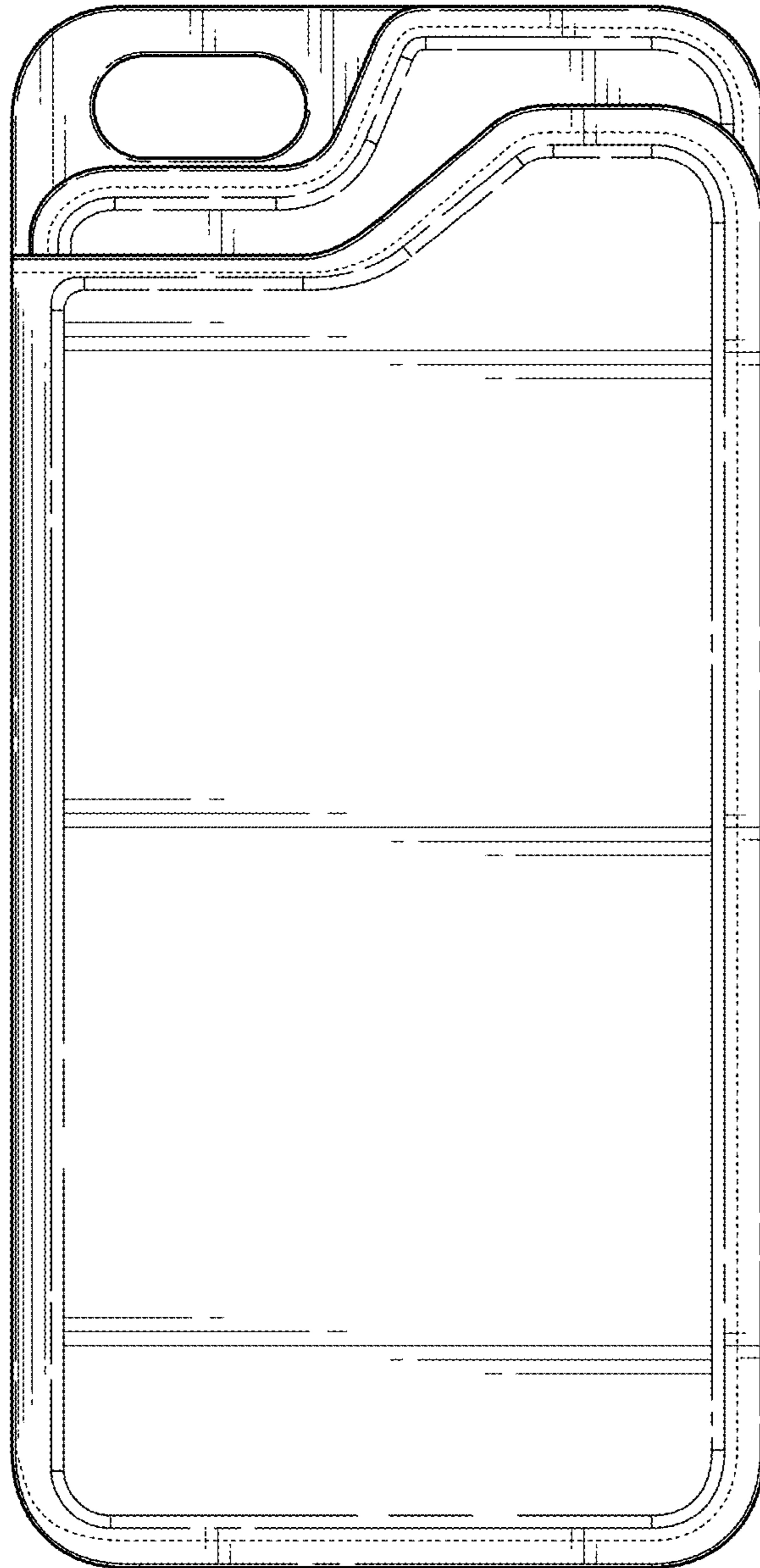


FIG. 2

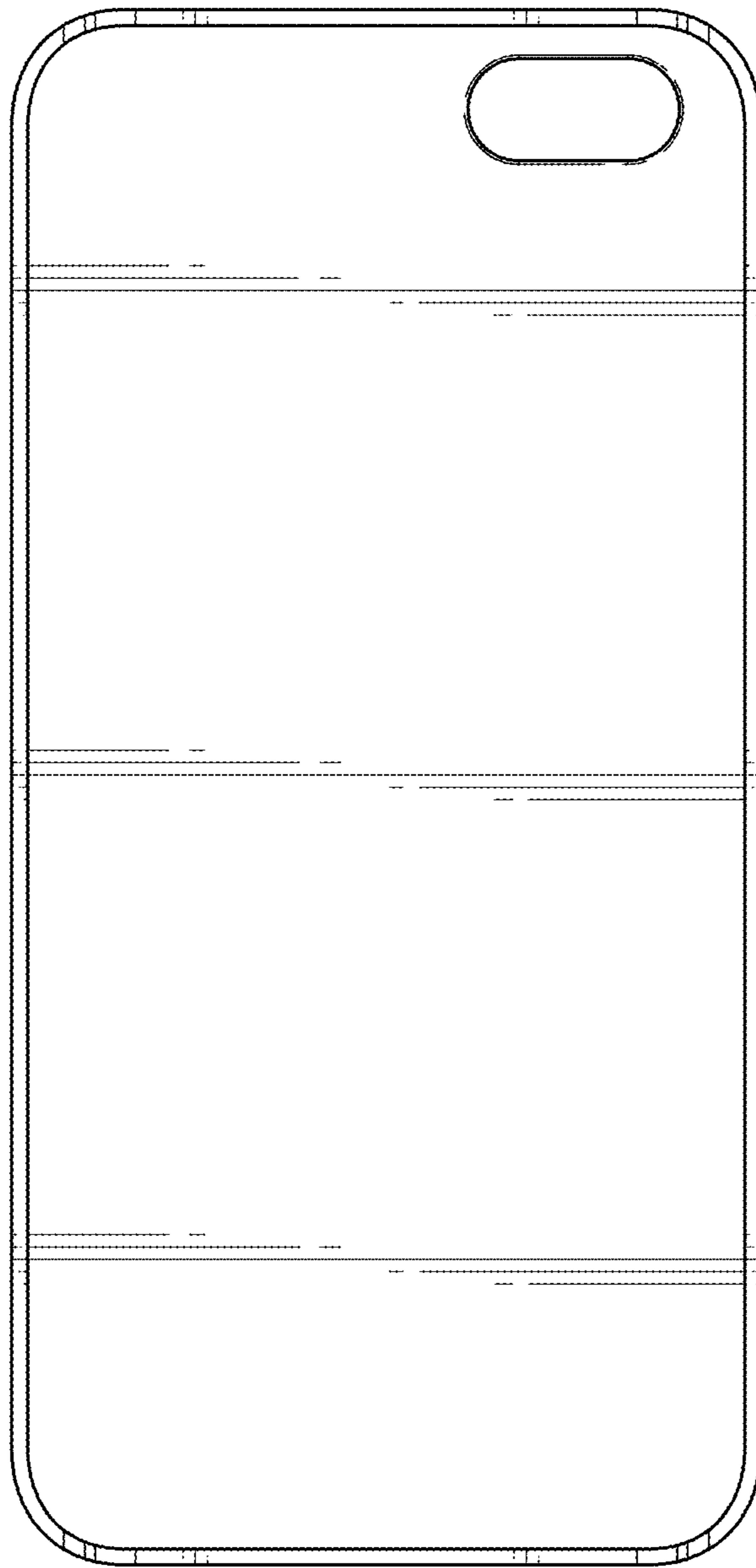


FIG. 3

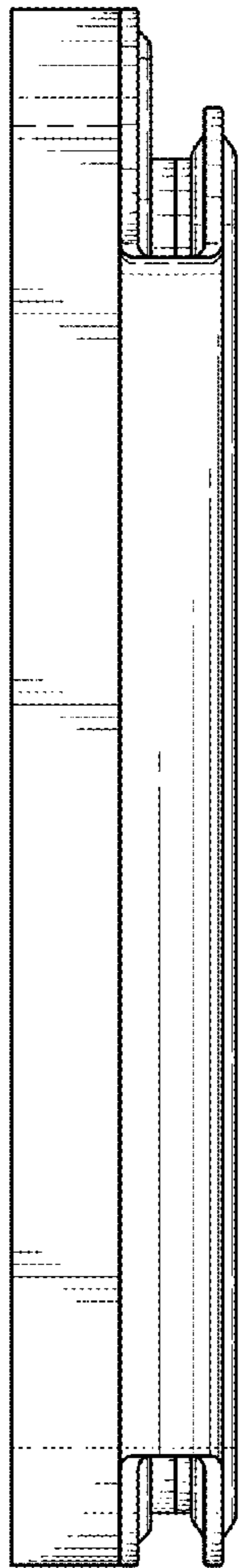


FIG. 4

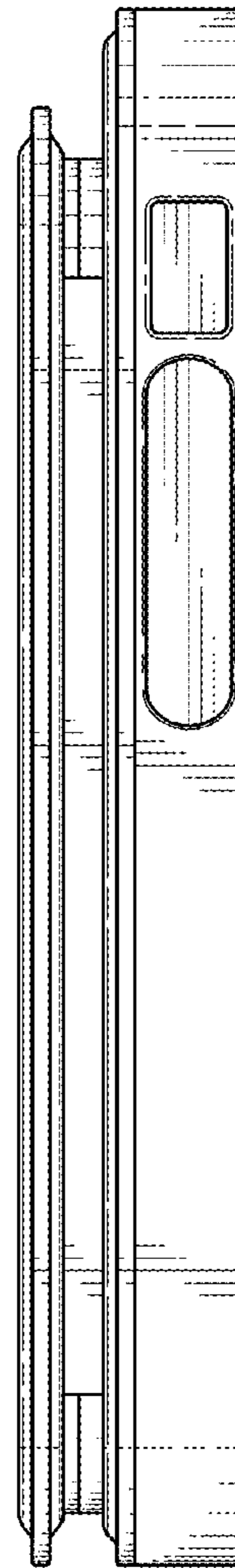


FIG. 5



FIG. 6

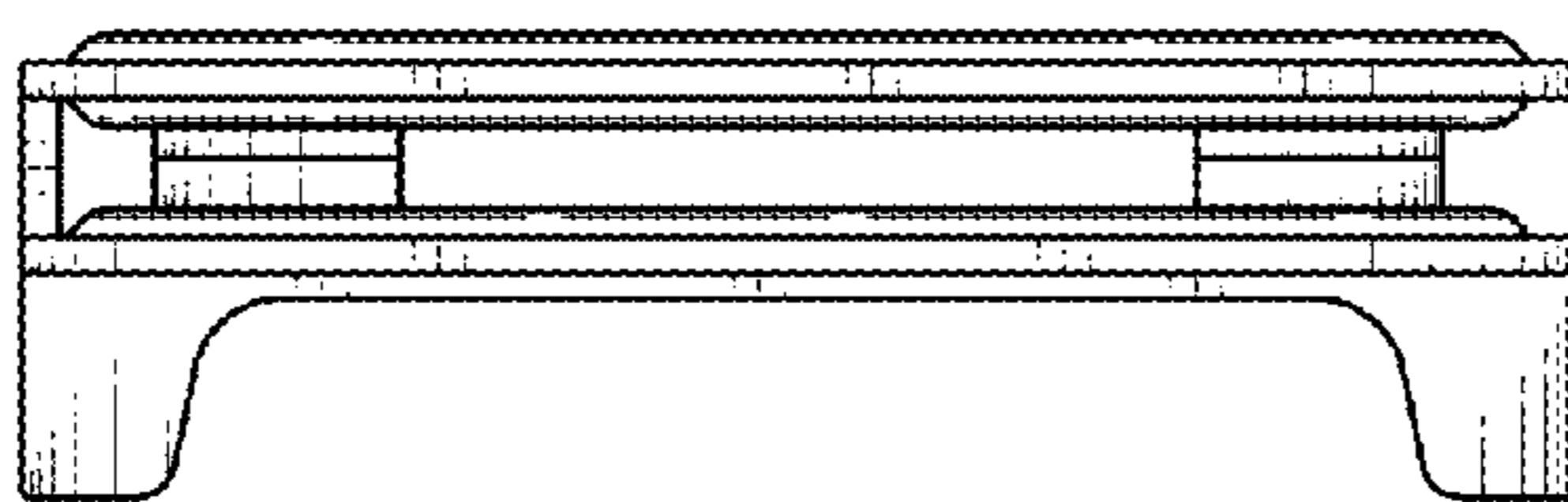


FIG. 7

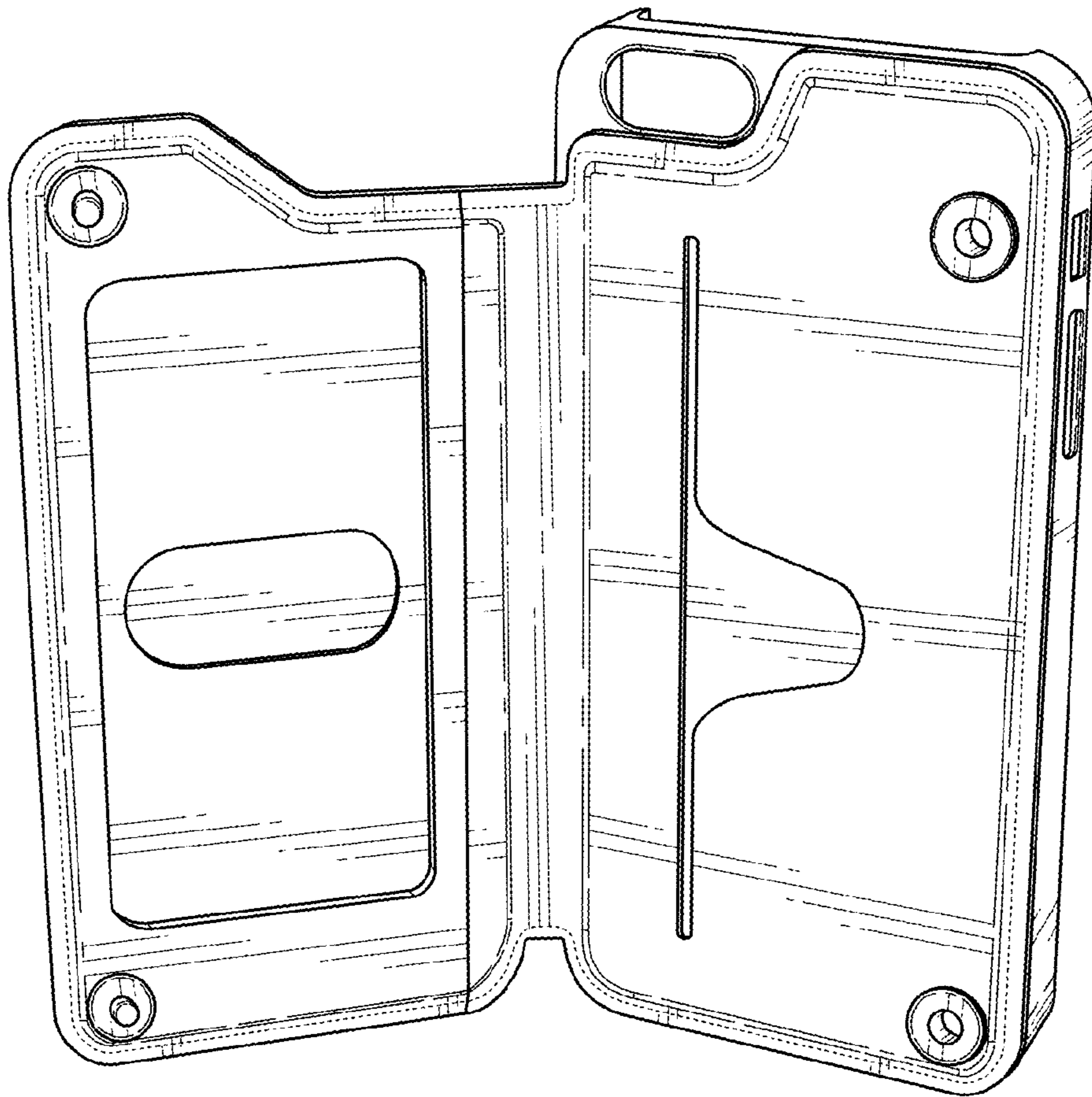


FIG. 8

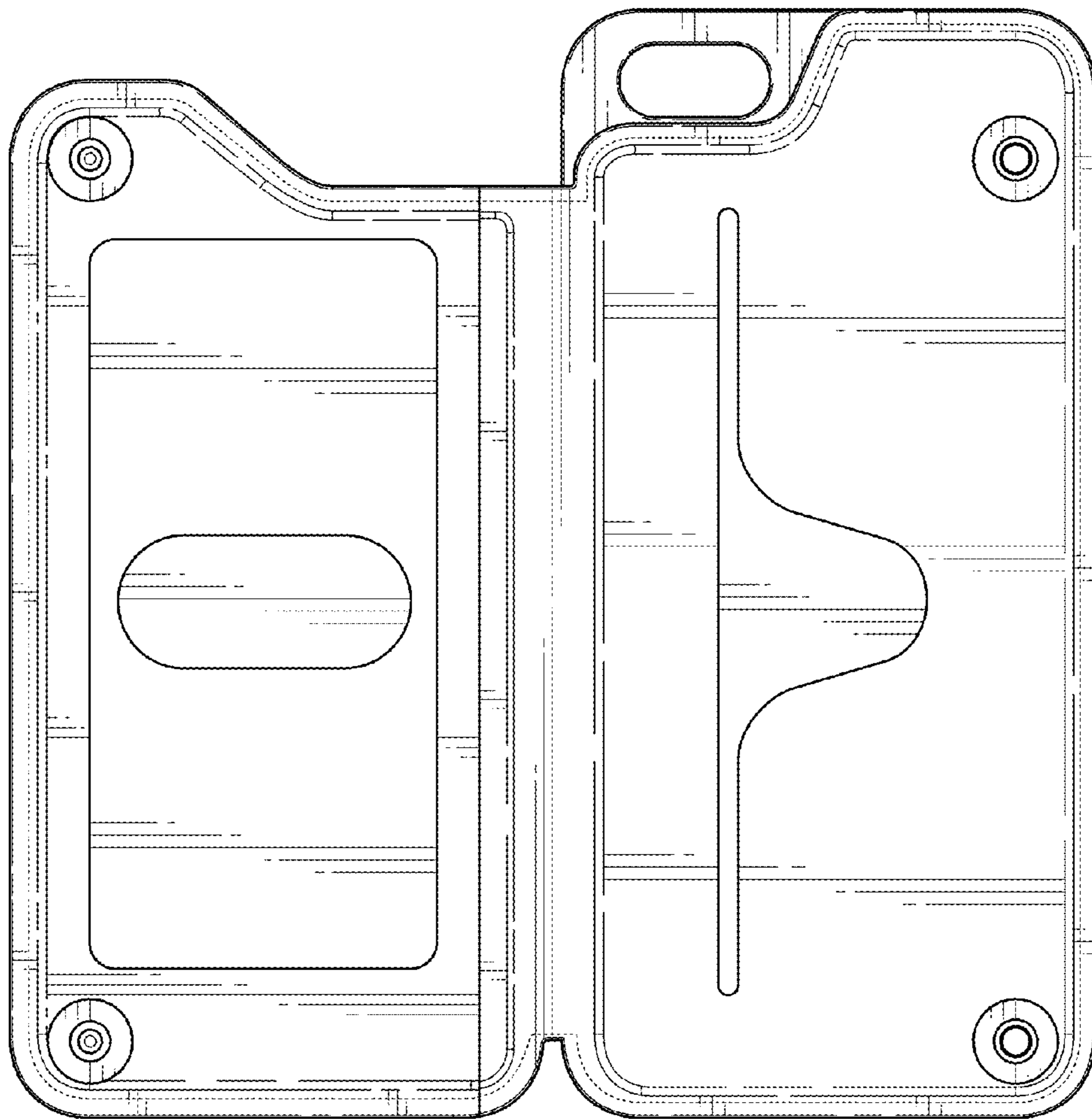


FIG. 9



FIG. 10

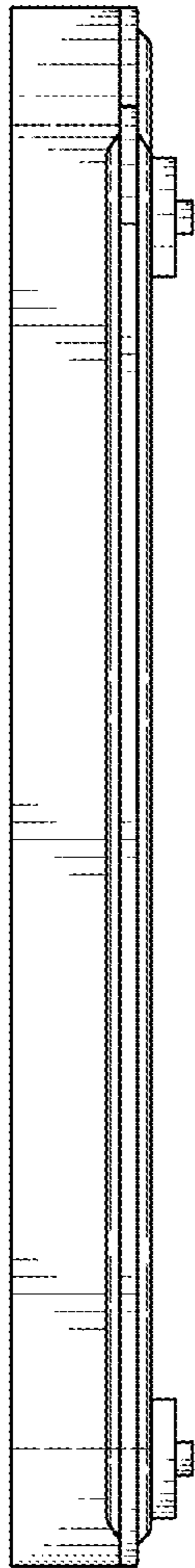


FIG. 11

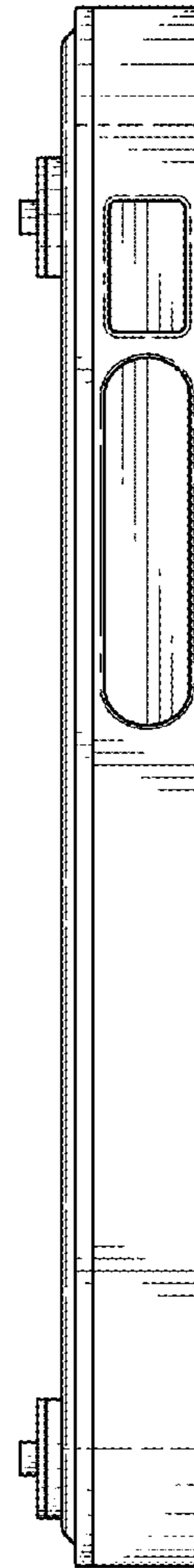


FIG. 12

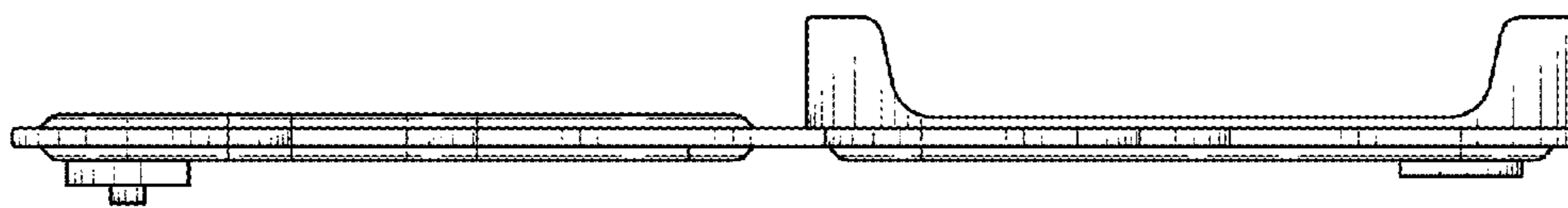


FIG. 13

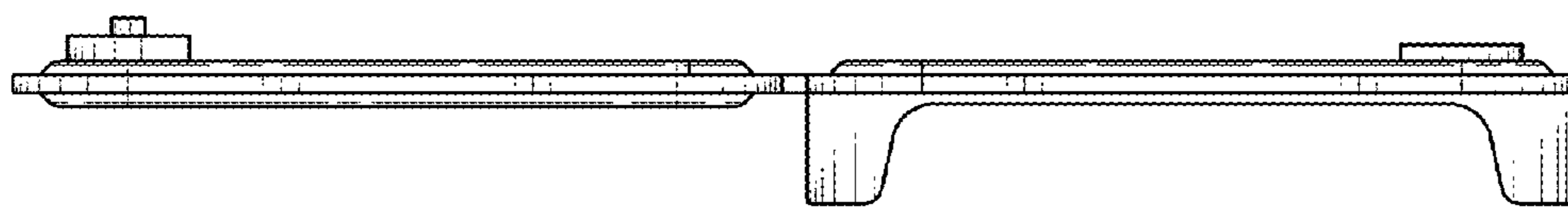


FIG. 14