



US00D759965S

(12) **United States Design Patent**  
**Louboutin**

(10) **Patent No.:** **US D759,965 S**  
(45) **Date of Patent:** **\*\* Jun. 28, 2016**

- (54) **PAIR OF HANDLES FOR A HANDBAG**
- (71) Applicant: **Christian Louboutin**, Paris (FR)
- (72) Inventor: **Christian Louboutin**, Paris (FR)
- (\*\*) Term: **15 Years**
- (21) Appl. No.: **29/544,613**
- (22) Filed: **Nov. 4, 2015**

*Primary Examiner* — Robert M Spear  
*Assistant Examiner* — Eliza Bennett-Hattan  
 (74) *Attorney, Agent, or Firm* — Charles T. J. Weigell, Esq.;  
 Fross Zelnick Lehrman & Zissu, P.C.

(57) **CLAIM**

The ornamental design for a pair of handles for a handbag, as shown and described.

**Related U.S. Application Data**

- (62) Division of application No. 29/498,767, filed on Aug. 7, 2014.

**Foreign Application Priority Data**

- Feb. 26, 2014 (EM) ..... 002413054
- (51) **LOC (10) Cl.** ..... **03-01**
- (52) **U.S. Cl.**  
USPC ..... **D3/246**
- (58) **Field of Classification Search**  
USPC ..... D3/218, 227, 232–233, 239, 240–243,  
D3/245, 289, 301, 303, 318, 323, 327, 328,  
D3/900; D8/97, 107, 300, 303, 313, 314,  
D8/321; D15/5, 18  
CPC ..... Y10T 24/2586; Y10T 24/2589; Y10T  
24/257; Y10T 24/25; A44B 19/262; A44B  
19/26; A44B 19/00; A41F 1/008; A41D  
2300/322; A45C 11/324  
See application file for complete search history.

**References Cited**

**U.S. PATENT DOCUMENTS**

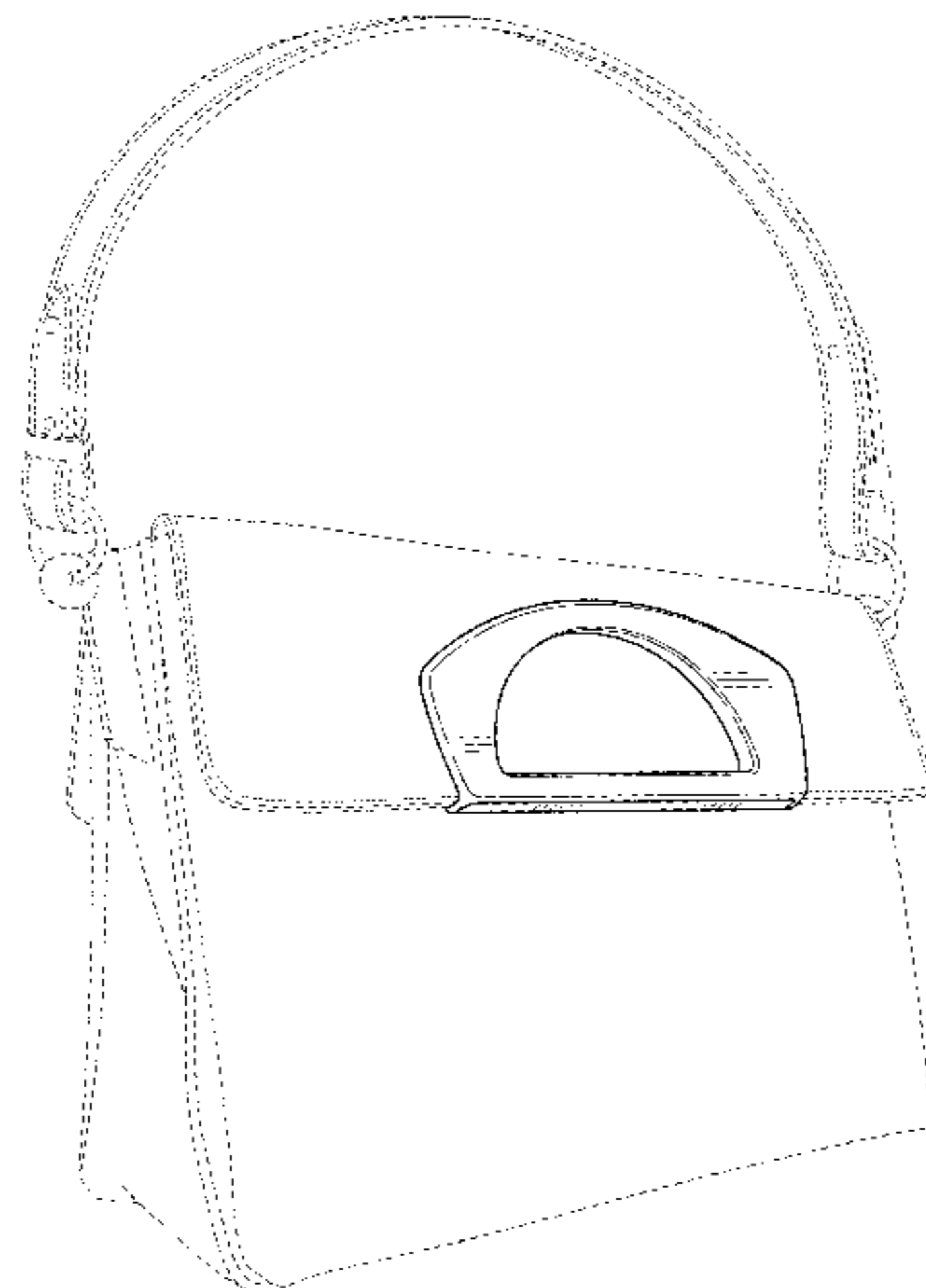
- D55,451 S \* 6/1920 Carraine ..... D3/246
- D248,509 S \* 7/1978 Tait ..... D3/282
- D262,587 S \* 1/1982 Hyers ..... D3/246
- D324,608 S \* 3/1992 Forbes ..... D3/282
- D418,292 S \* 1/2000 du Sartel ..... D3/232
- D434,561 S \* 12/2000 Vasudeva ..... D3/282

(Continued)

**DESCRIPTION**

FIG. 1 is a front perspective view of a portion of the handbag shown in FIG. 1 and environmental matter;  
 FIG. 2 is a front view thereof;  
 FIG. 3 is a rear view thereof;  
 FIG. 4 is a side view thereof;  
 FIG. 5 is the other side view thereof;  
 FIG. 6 is a top view thereof;  
 FIG. 7 is a bottom view thereof;  
 FIG. 8 is a front perspective view of the portion of the handbag shown in FIG. 15, with handles shown in a raised position;  
 FIG. 9 is a front view thereof;  
 FIG. 10 is a rear view thereof;  
 FIG. 11 is a side view thereof;  
 FIG. 12 is the other side view thereof;  
 FIG. 13 is a top view thereof;  
 FIG. 14 is a bottom view thereof;  
 FIG. 15 is a front perspective view of the portion of the handbag shown in FIG. 15;  
 FIG. 16 is a front view thereof;  
 FIG. 17 is a rear view thereof;  
 FIG. 18 is a side view thereof;  
 FIG. 19 is the other side view thereof;  
 FIG. 20 is a top view thereof; and,  
 FIG. 21 is a bottom view thereof.  
 The broken lines depict portions of the handbag in which the design is embodied is environmental matter and is not considered part of the claimed design in those figures.

**1 Claim, 12 Drawing Sheets**



# US D759,965 S

Page 2

---

(56)

## References Cited

### U.S. PATENT DOCUMENTS

D441,955 S \* 5/2001 Svetlik ..... D3/282  
D509,059 S \* 9/2005 Hayes ..... D3/246

D561,993 S \* 2/2008 Bum ..... D3/282  
D568,046 S \* 5/2008 Hsu ..... D3/282  
D586,556 S \* 2/2009 Lown ..... D3/246  
D591,950 S \* 5/2009 Kim ..... D3/239

\* cited by examiner

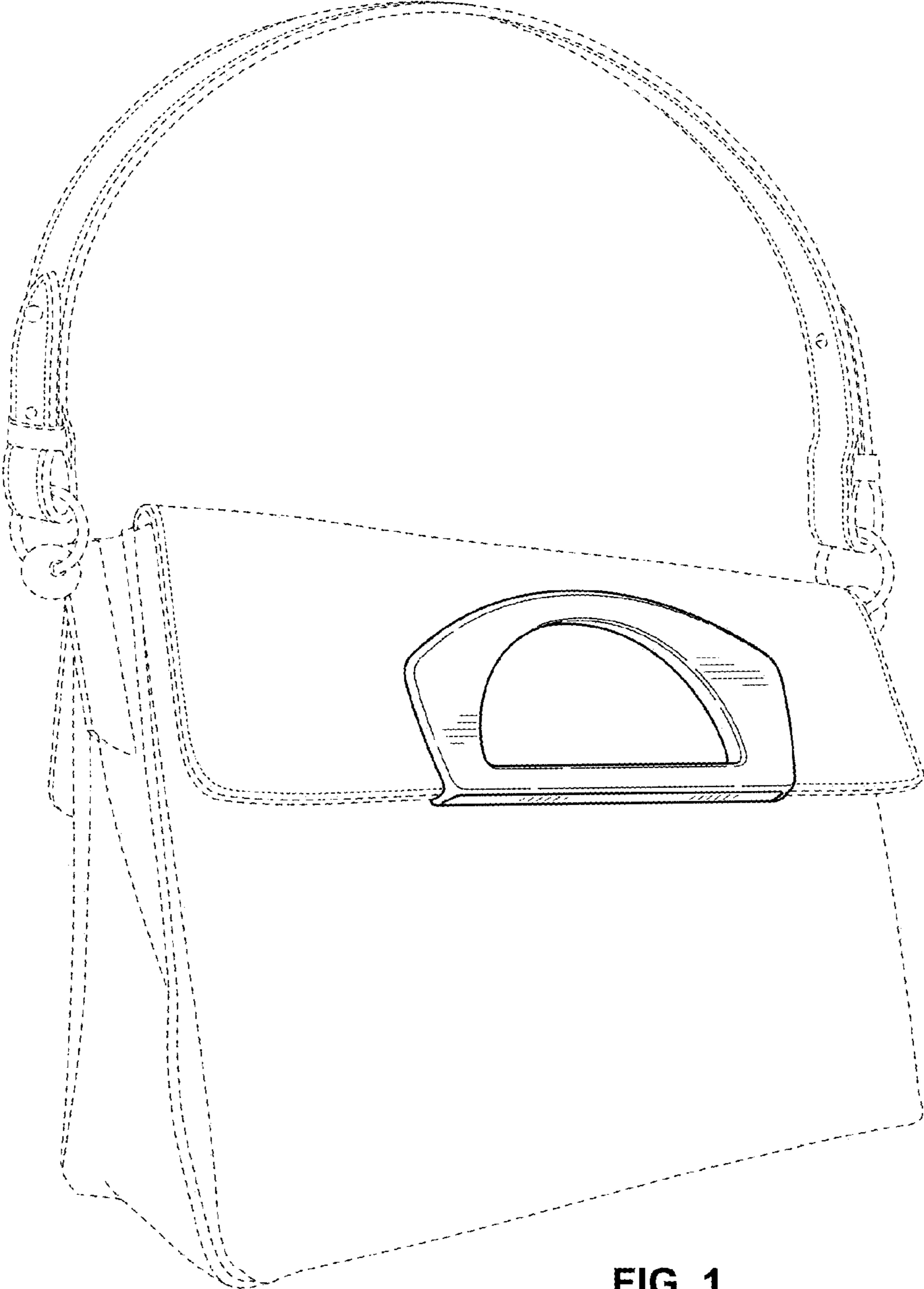


FIG. 1

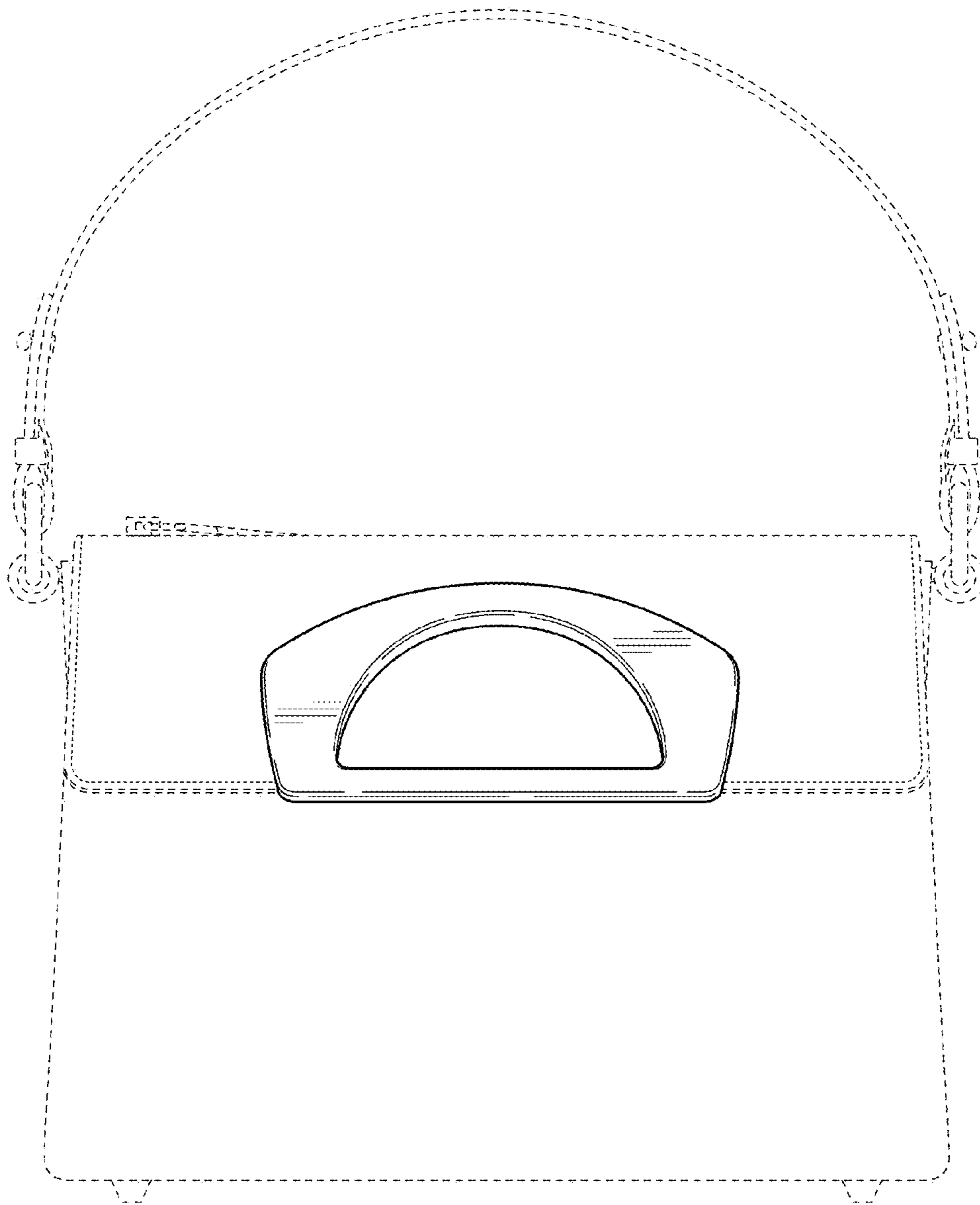


FIG. 2

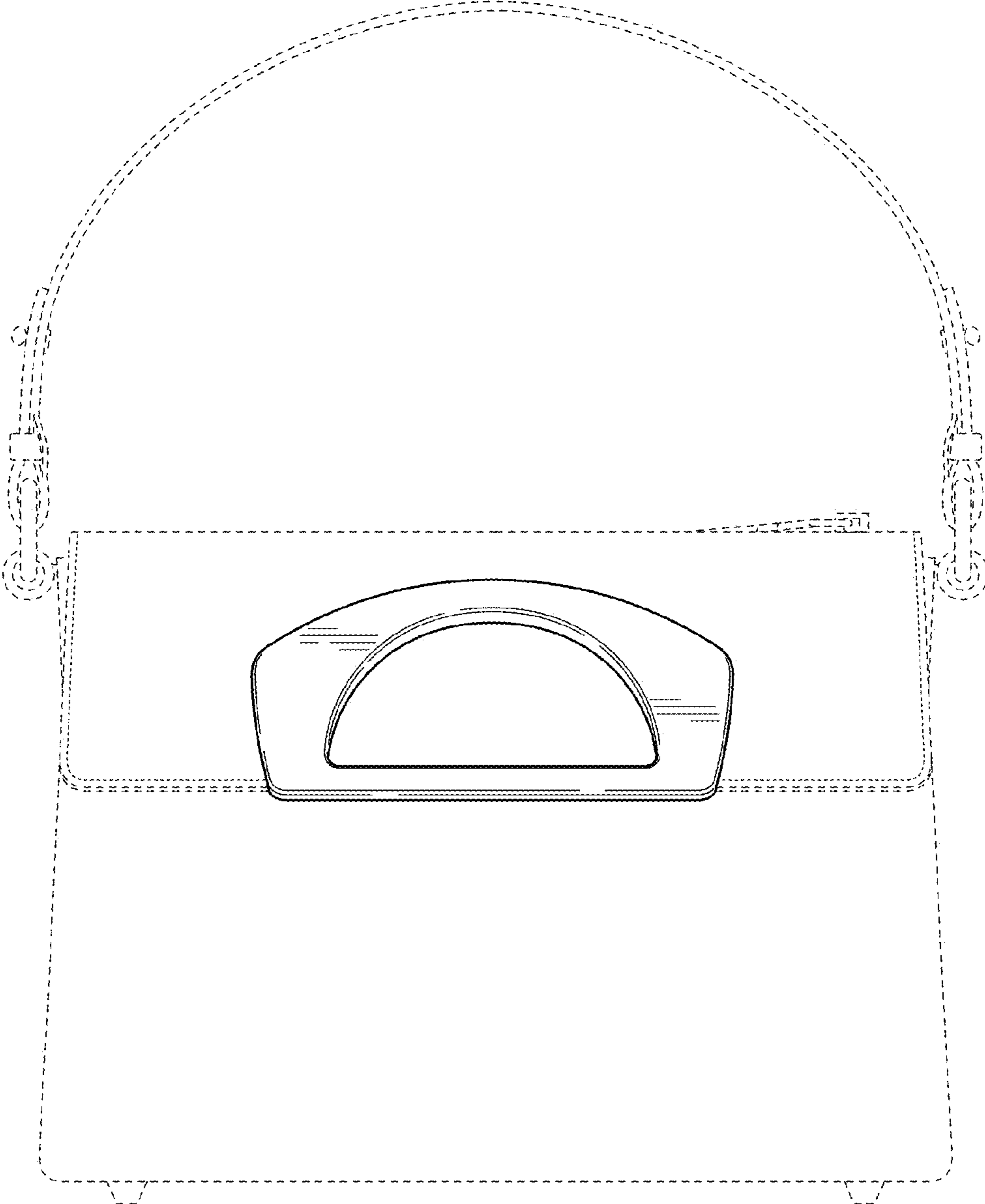


FIG. 3

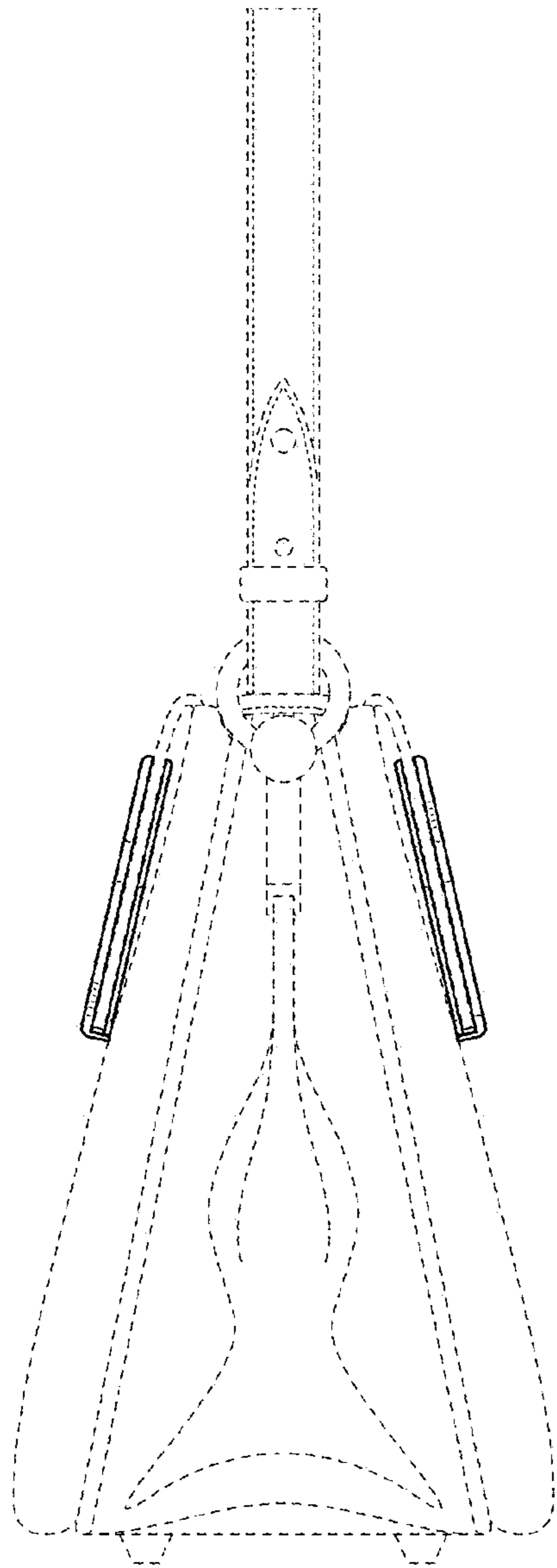


FIG. 4

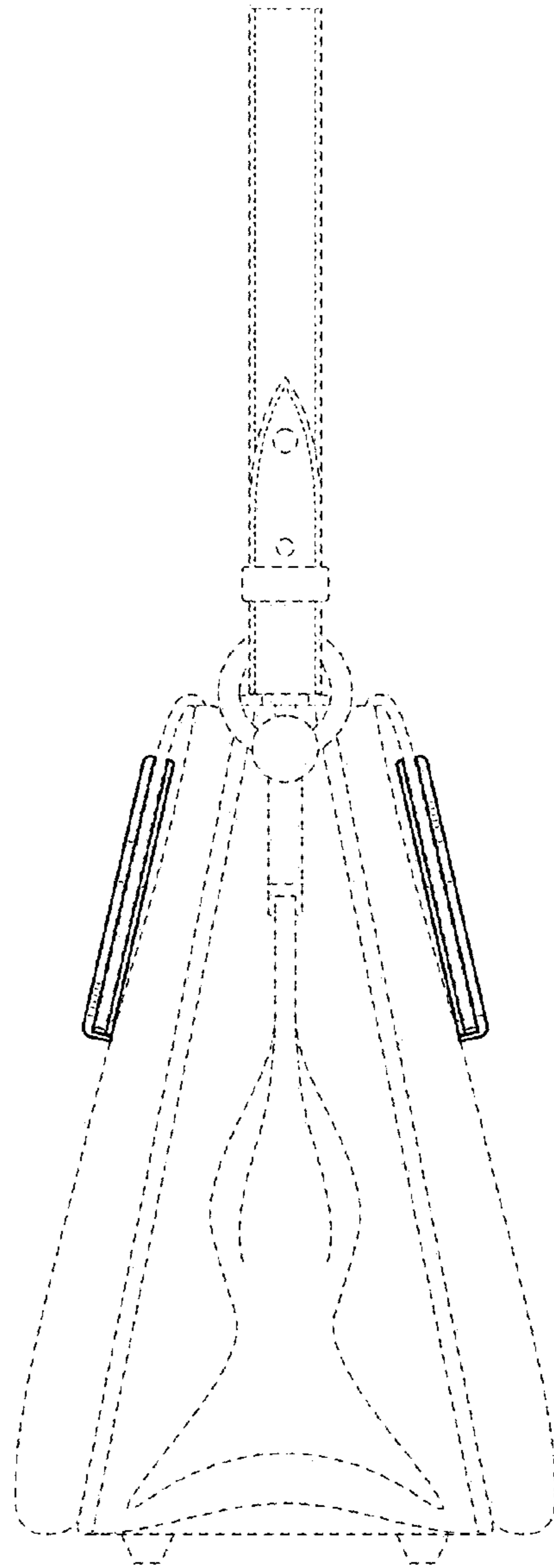


FIG. 5



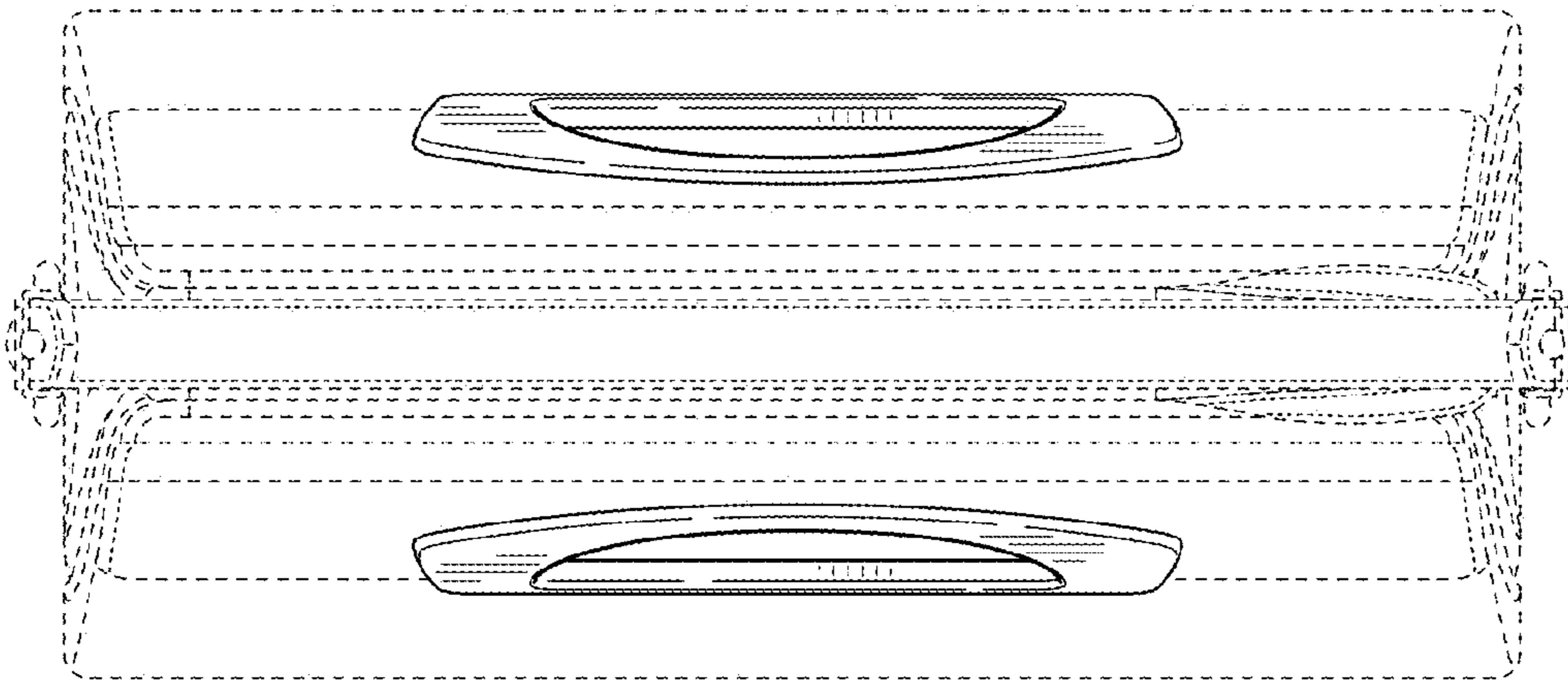


FIG. 6

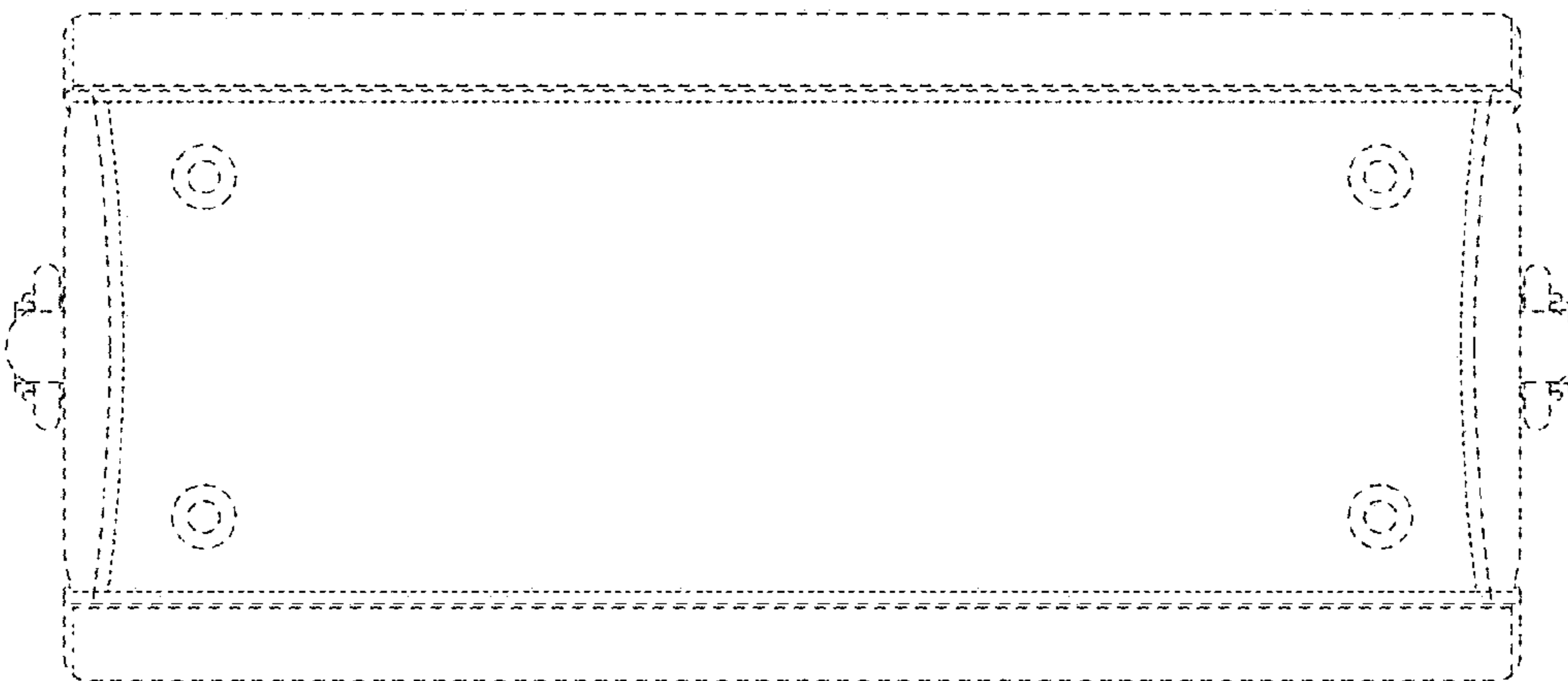


FIG. 7

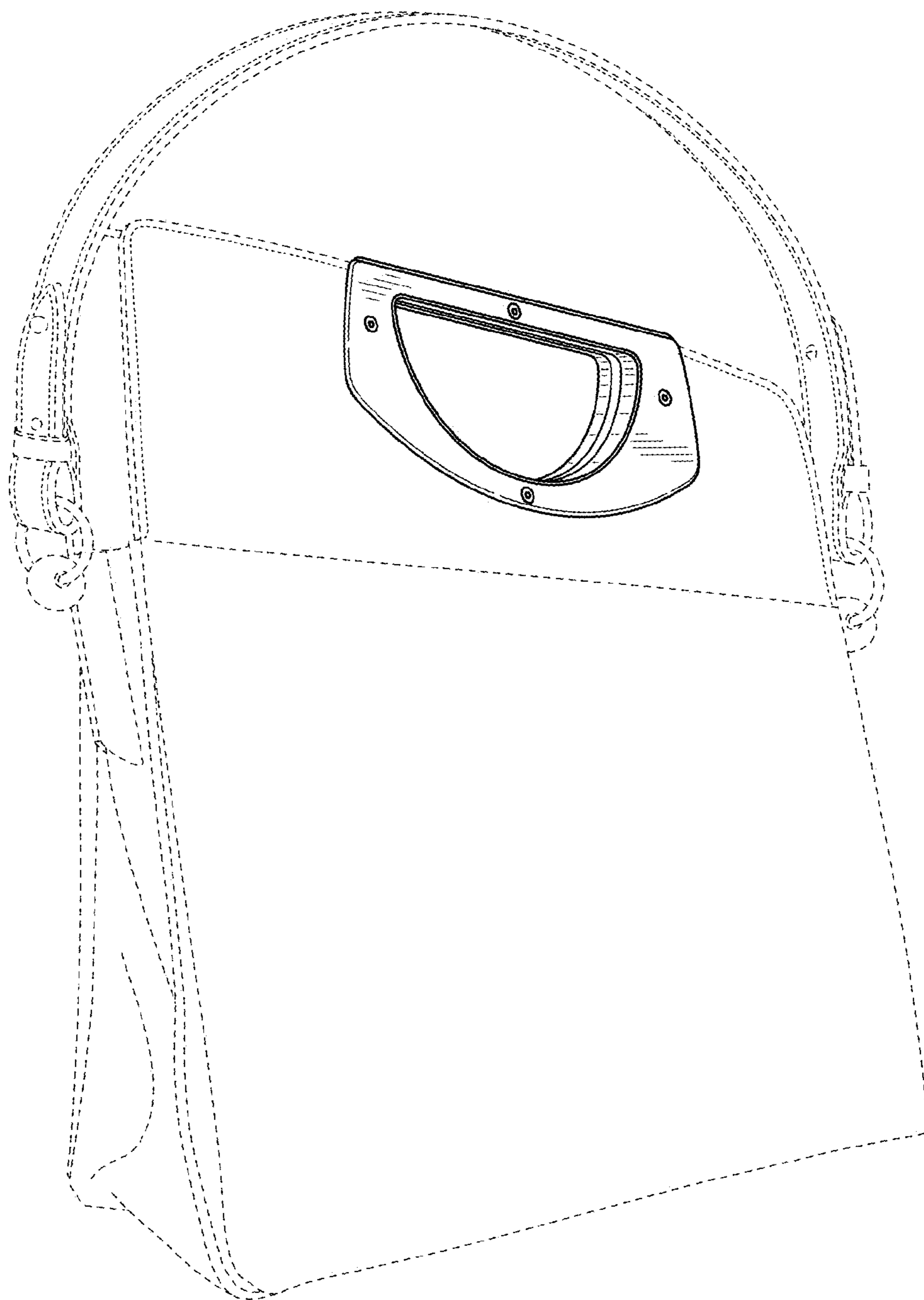


FIG. 8



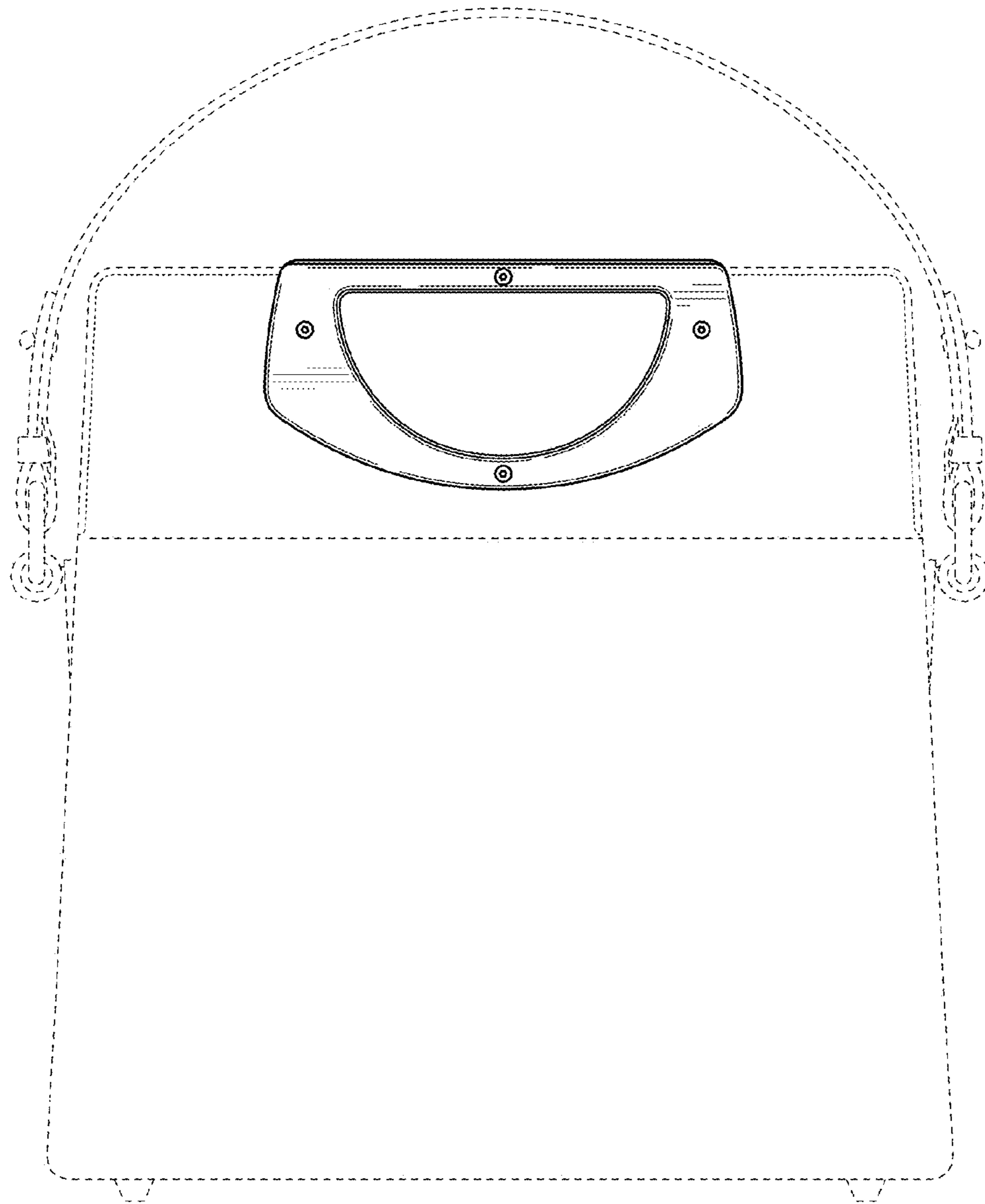


FIG. 9

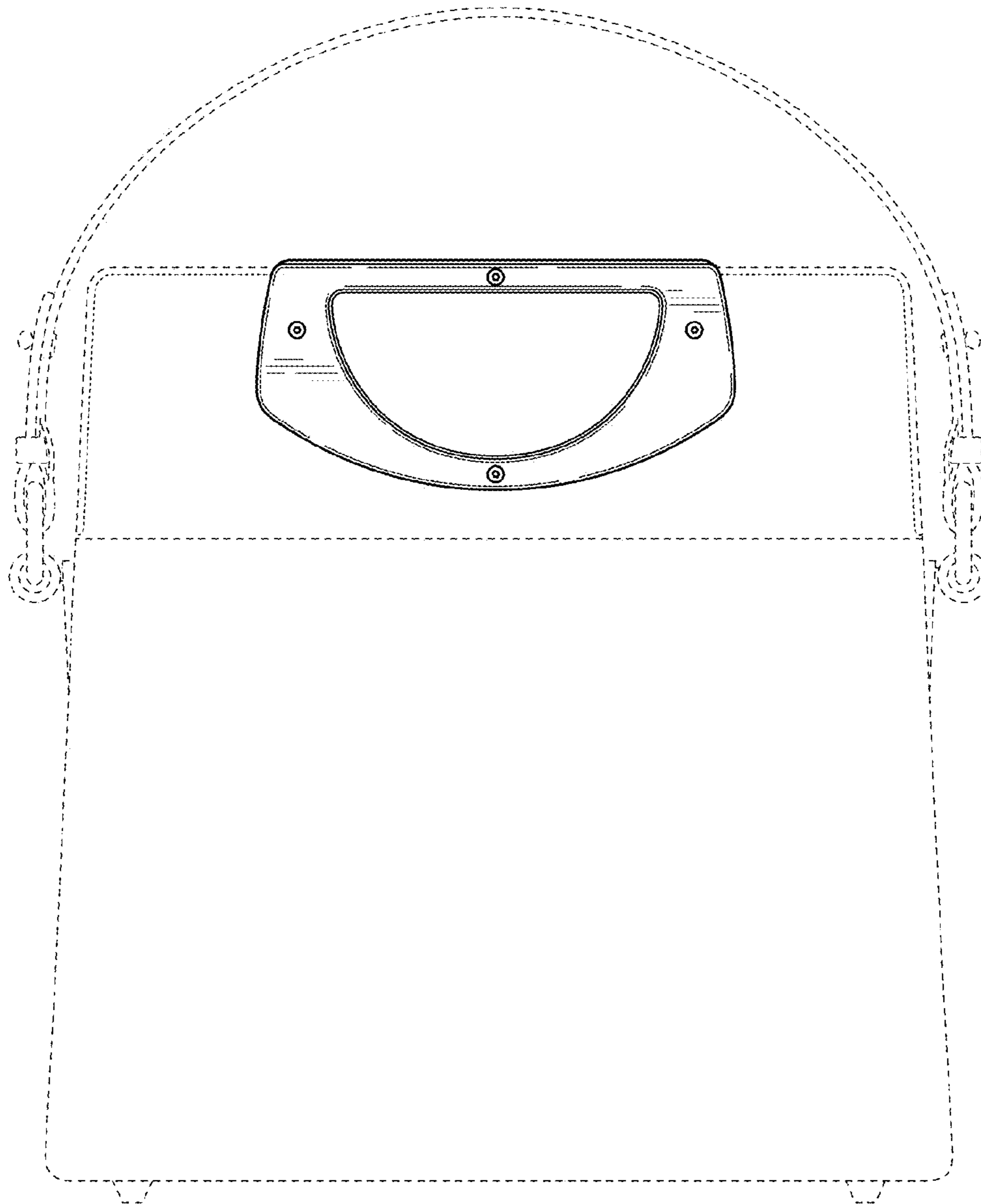


FIG. 10

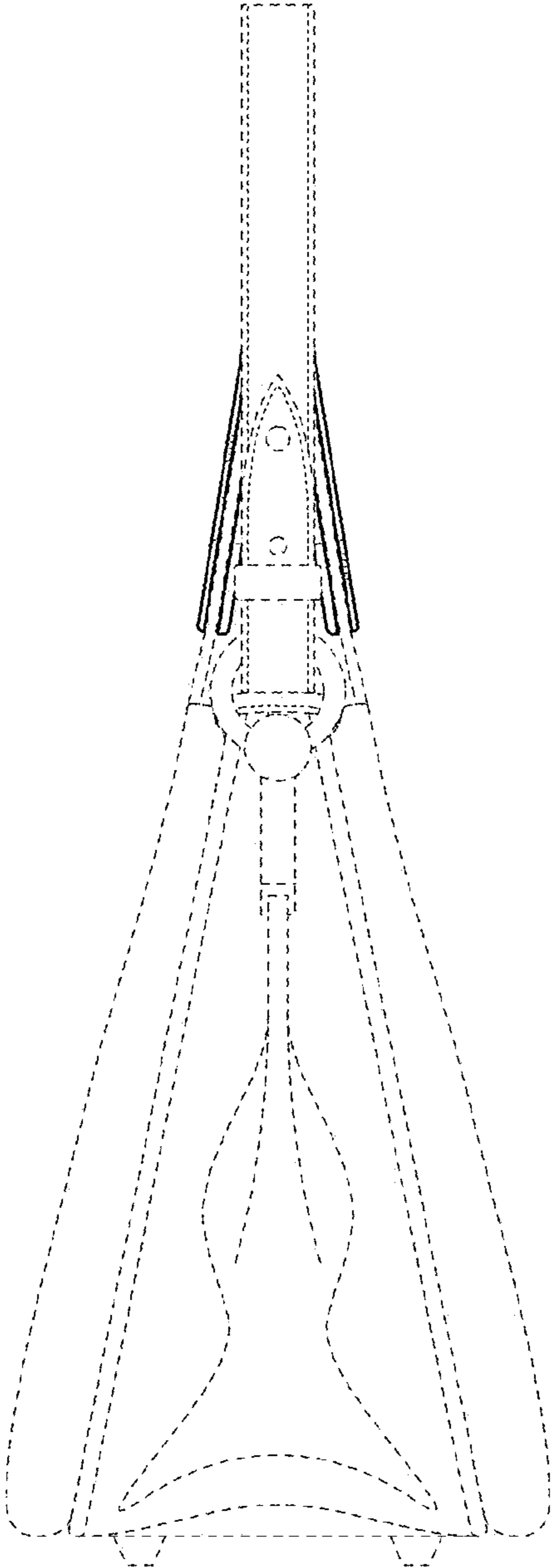


FIG. 11

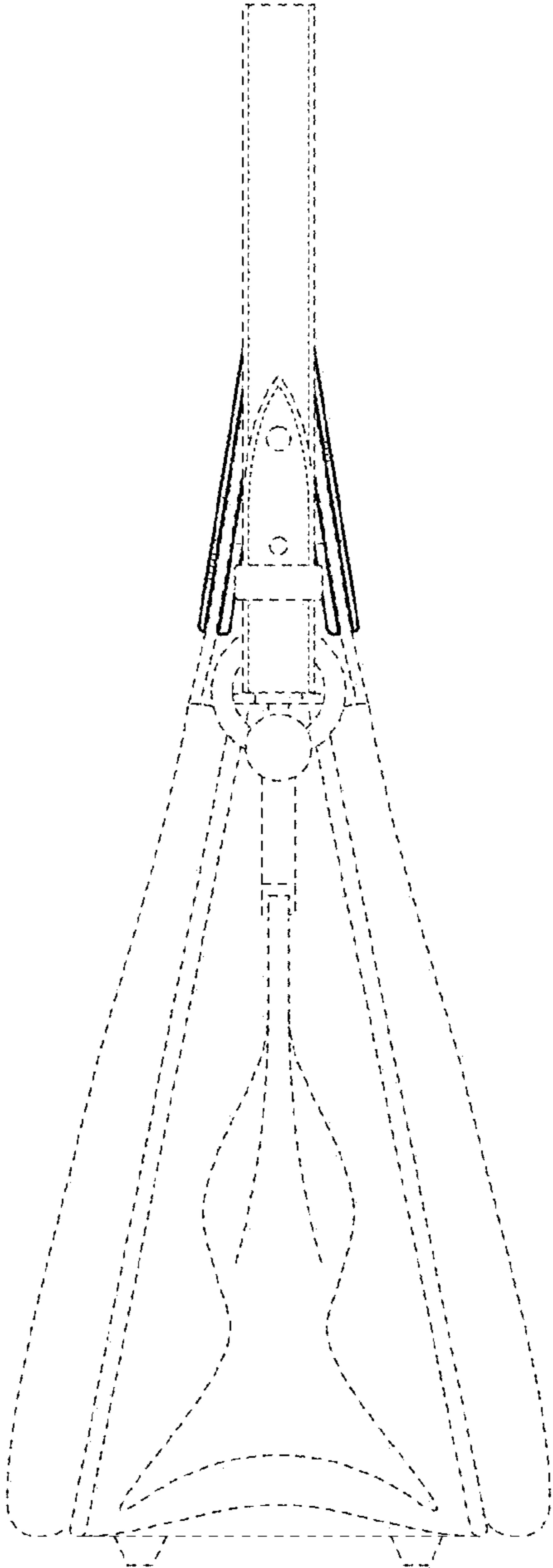


FIG. 12

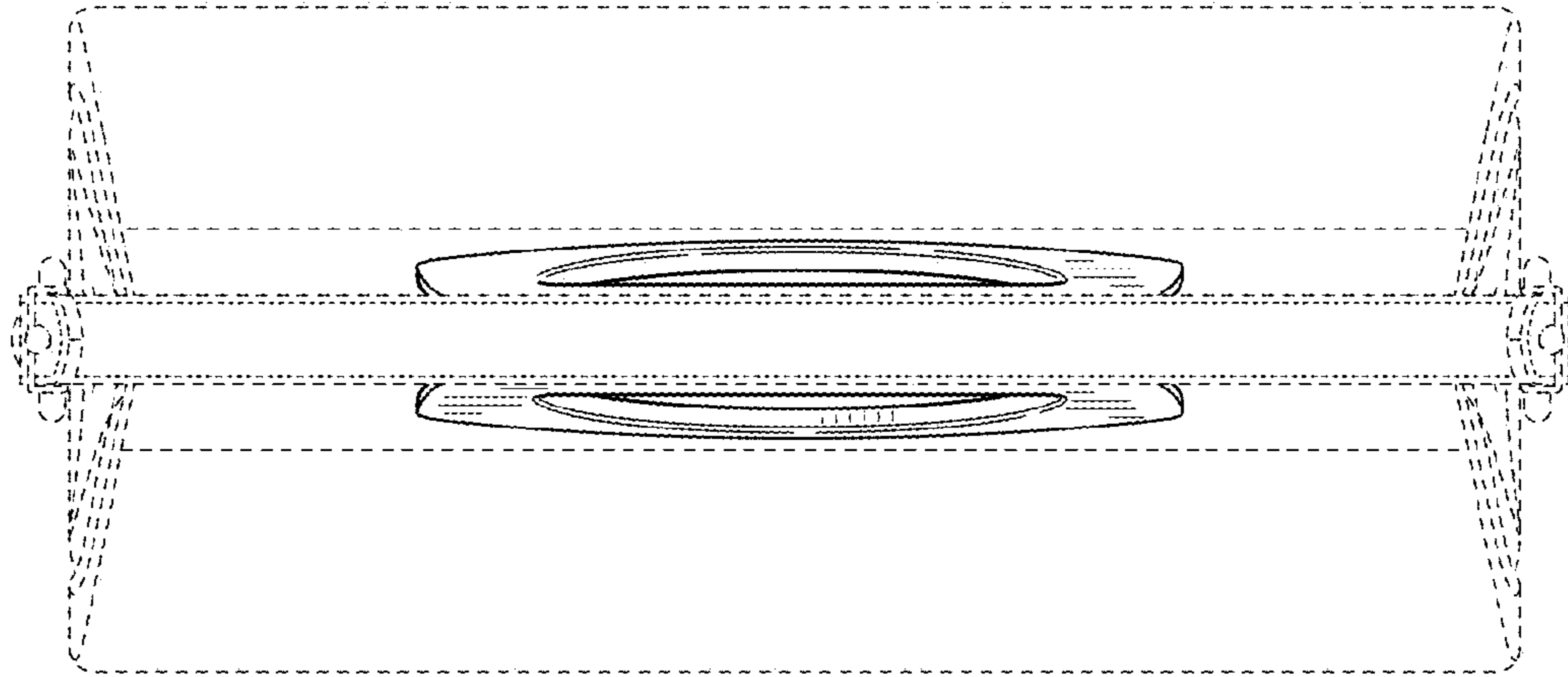


FIG. 13

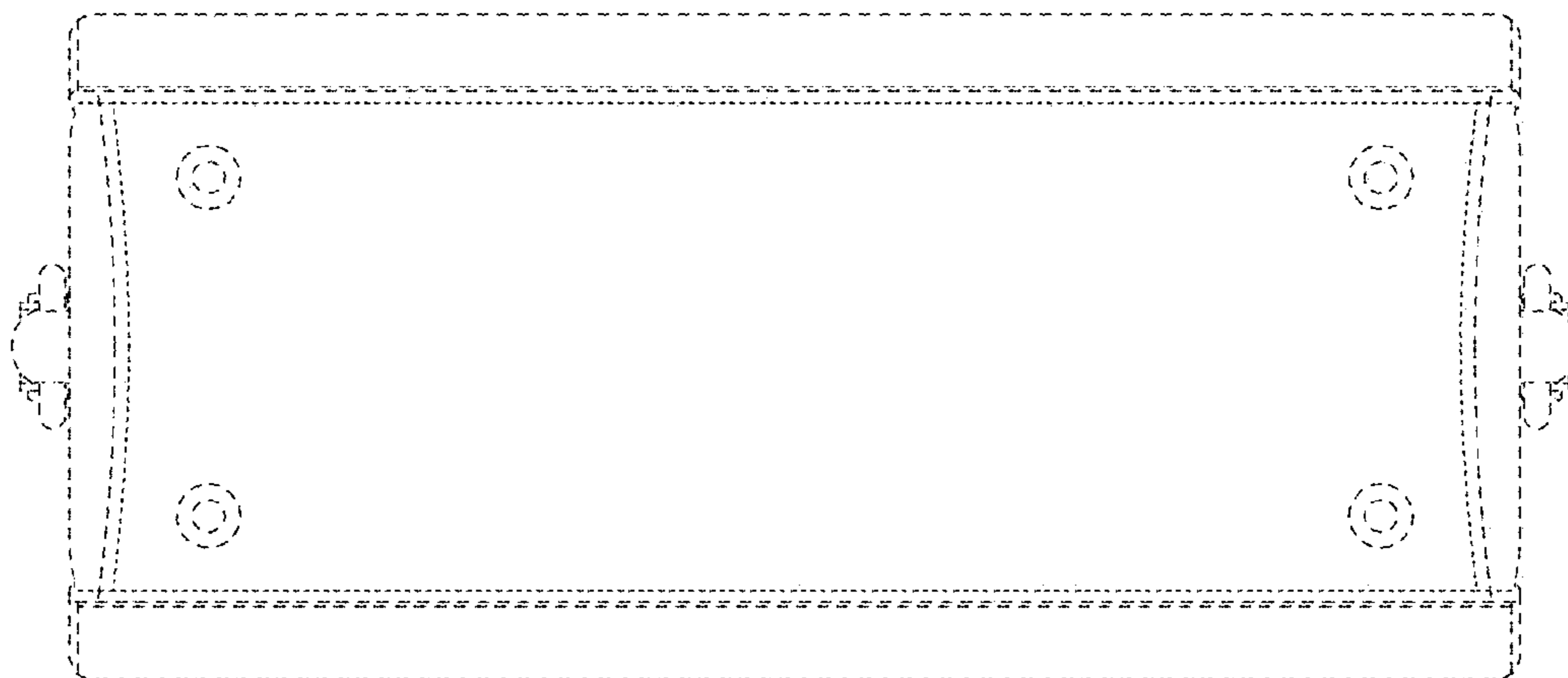


FIG. 14

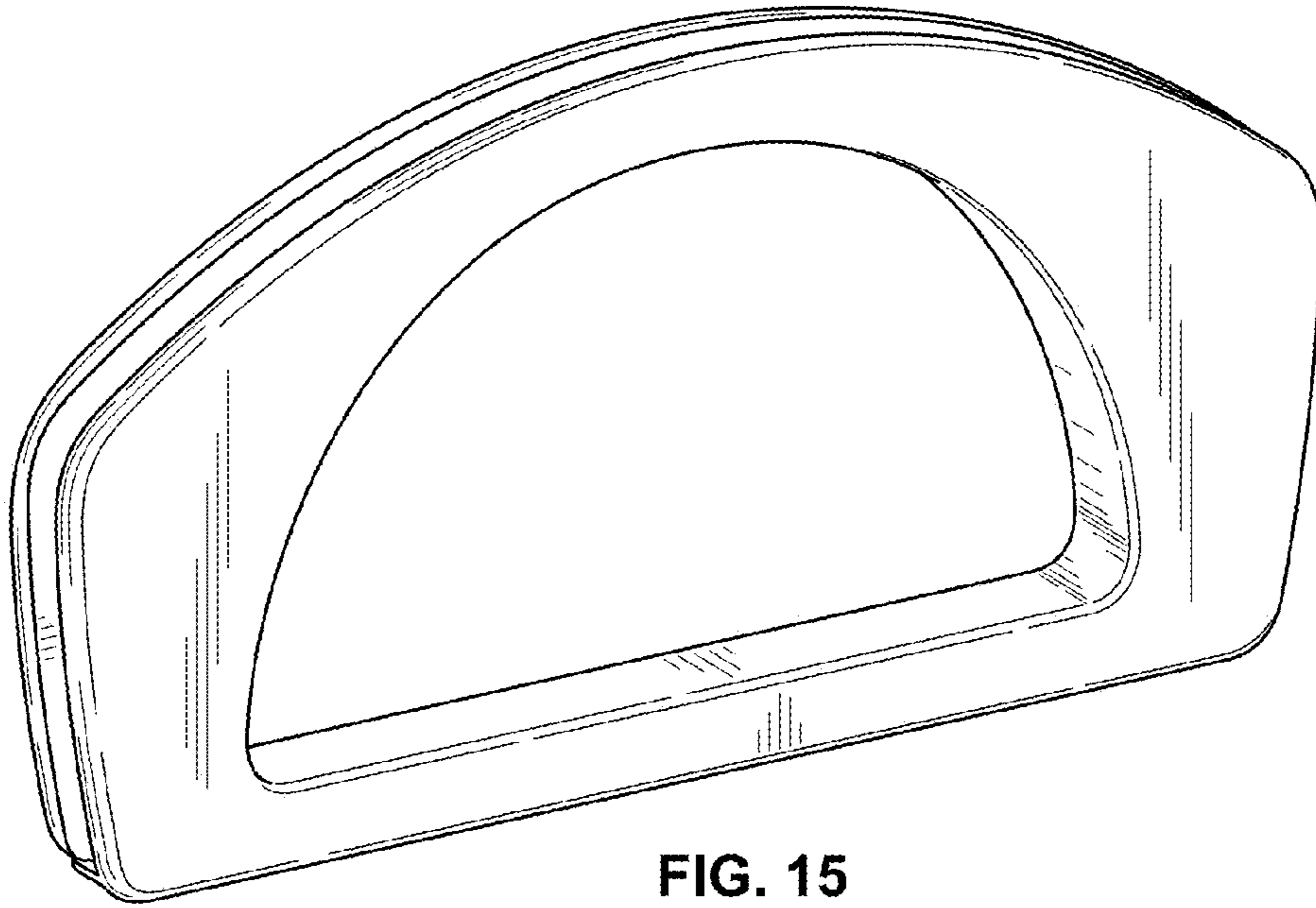


FIG. 15

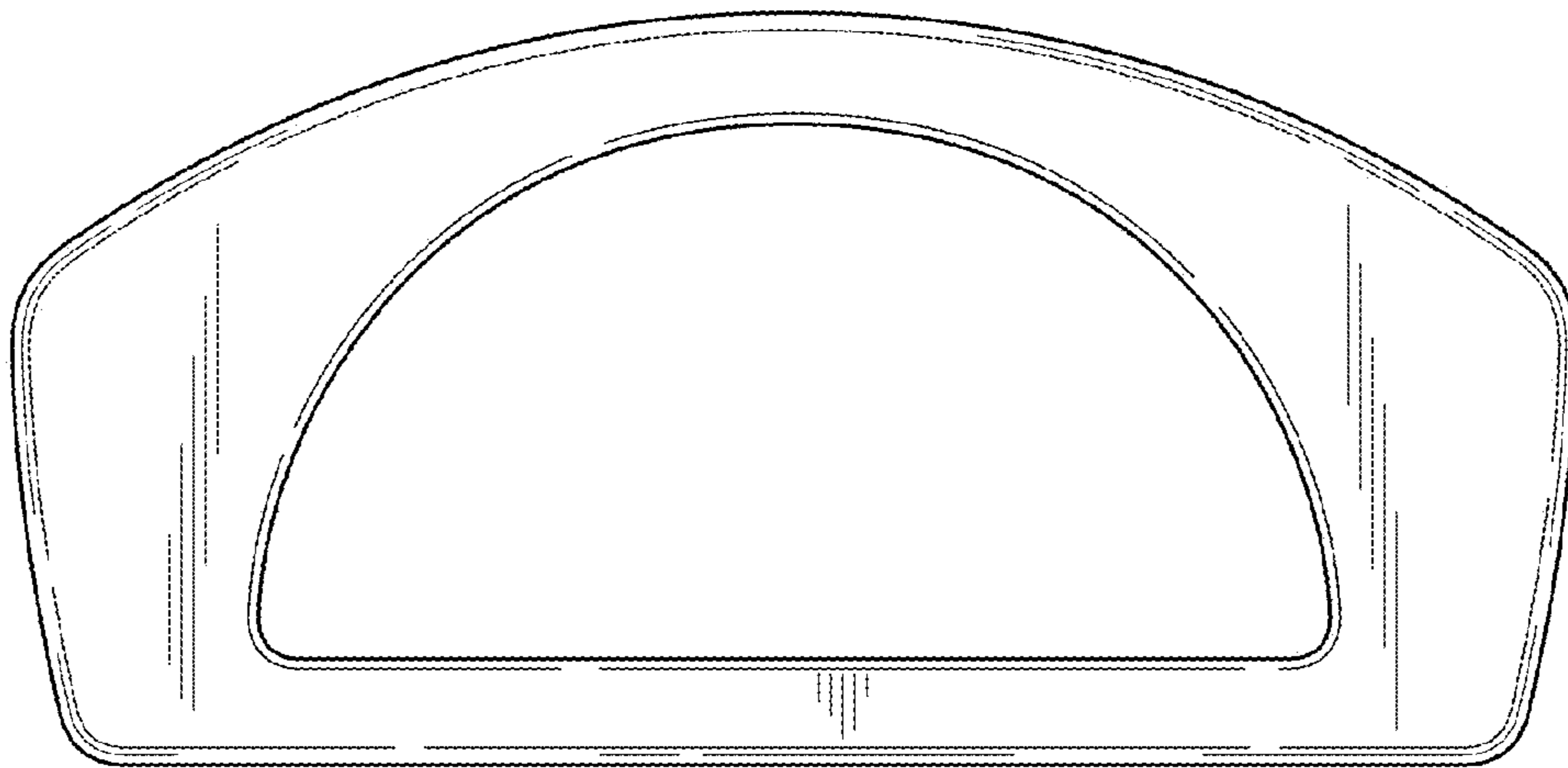


FIG. 16

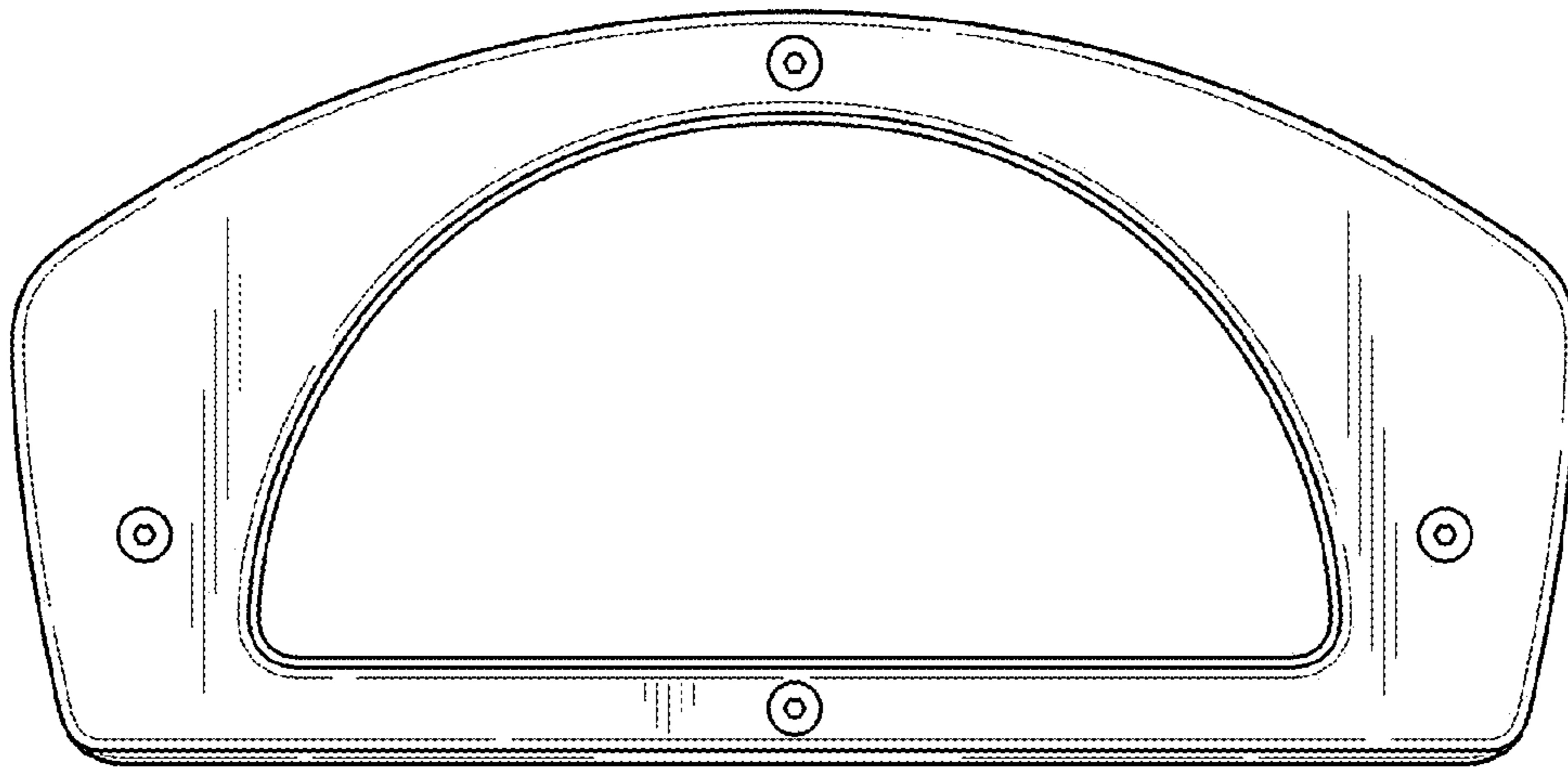


FIG. 17

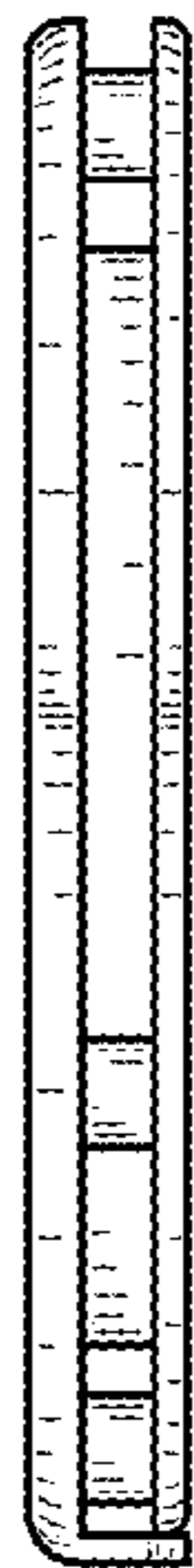


FIG. 18

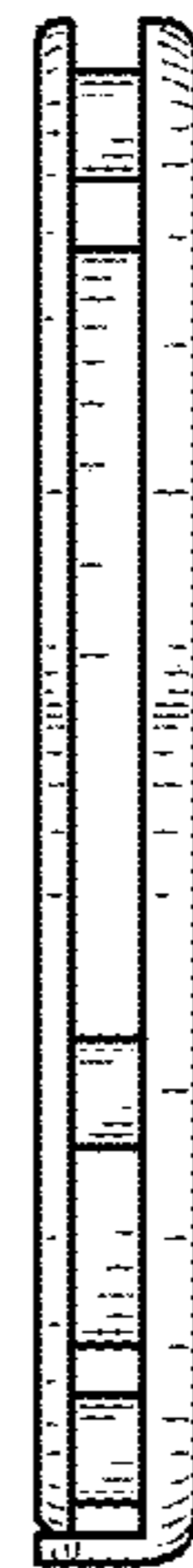


FIG. 19



FIG. 20



FIG. 21