



US00D759958S

(12) **United States Design Patent**
Requa

(10) **Patent No.:** **US D759,958 S**
(45) **Date of Patent:** **** Jun. 28, 2016**

- (54) **MODULAR ARMBAND**
- (71) Applicant: **James Requa**, Los Angeles, CA (US)
- (72) Inventor: **James Requa**, Los Angeles, CA (US)
- (**) Term: **14 Years**
- (21) Appl. No.: **29/512,594**
- (22) Filed: **Dec. 19, 2014**
- (51) **LOC (10) Cl.** **03-01**
- (52) **U.S. Cl.**
USPC **D3/218**
- (58) **Field of Classification Search**
USPC D3/215, 218–219, 226, 228, 303;
224/219, 222, 267, 269, 197, 221, 250,
224/575, 930; 455/575.1–575.8; 379/455
CPC A45F 5/00; A45F 5/02; A45F 5/021;
A45F 2200/05; A45F 2200/0508; A45F
2200/0516; A45F 2200/0525; A45C 2011/001;
A45C 2011/002; A45C 2011/003
See application file for complete search history.

(56) **References Cited**
U.S. PATENT DOCUMENTS

- D607,198 S * 1/2010 Andre D3/218
- D654,265 S * 2/2012 Roy D3/218

- D666,409 S * 9/2012 Andre D3/218
- D716,040 S * 10/2014 Soriano D3/218
- D741,594 S * 10/2015 Morgan D3/218

* cited by examiner

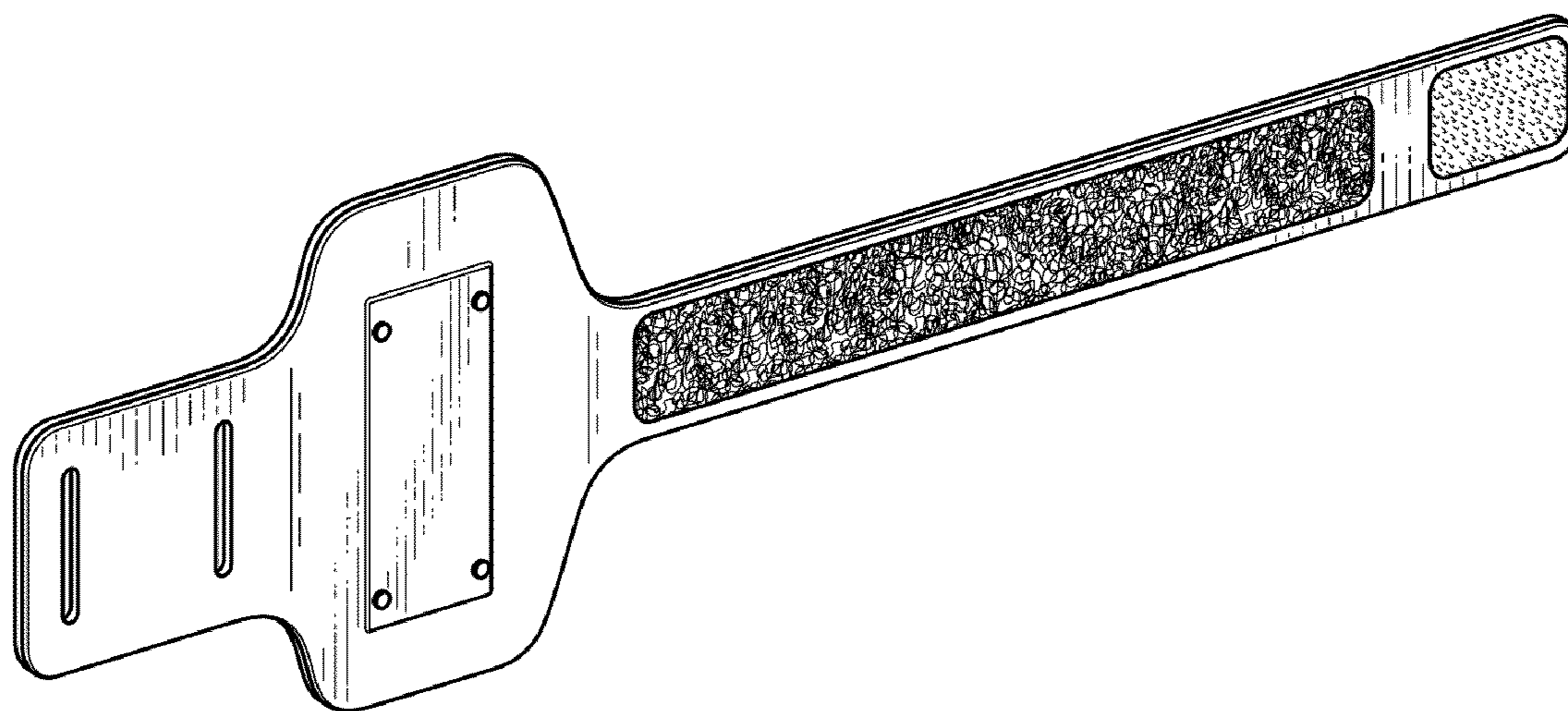
Primary Examiner — Catheri Oliver-Garcia
(74) *Attorney, Agent, or Firm* — QuickPatents, LLC; Kevin Prince

(57) **CLAIM**
I claim the ornamental design for a modular armband, as shown and described.

DESCRIPTION

FIG. 1 is a perspective view of a modular armband, showing my new design in use;
FIG. 2 is a perspective view thereof, illustrated in a flat configuration;
FIG. 3 is a front elevational view of FIG. 2;
FIG. 4 is a front elevational view thereof, illustrated in a flat configuration;
FIG. 5 is a left-side elevational view of FIG. 2;
FIG. 6 is a right-side elevational view of FIG. 2;
FIG. 7 is a top plan view of FIG. 2; and,
FIG. 8 is a bottom plan view of FIG. 2.
The broken lines showing a phone and case in FIG. 1 depict environmental matter and form no part of the claimed design.

1 Claim, 3 Drawing Sheets



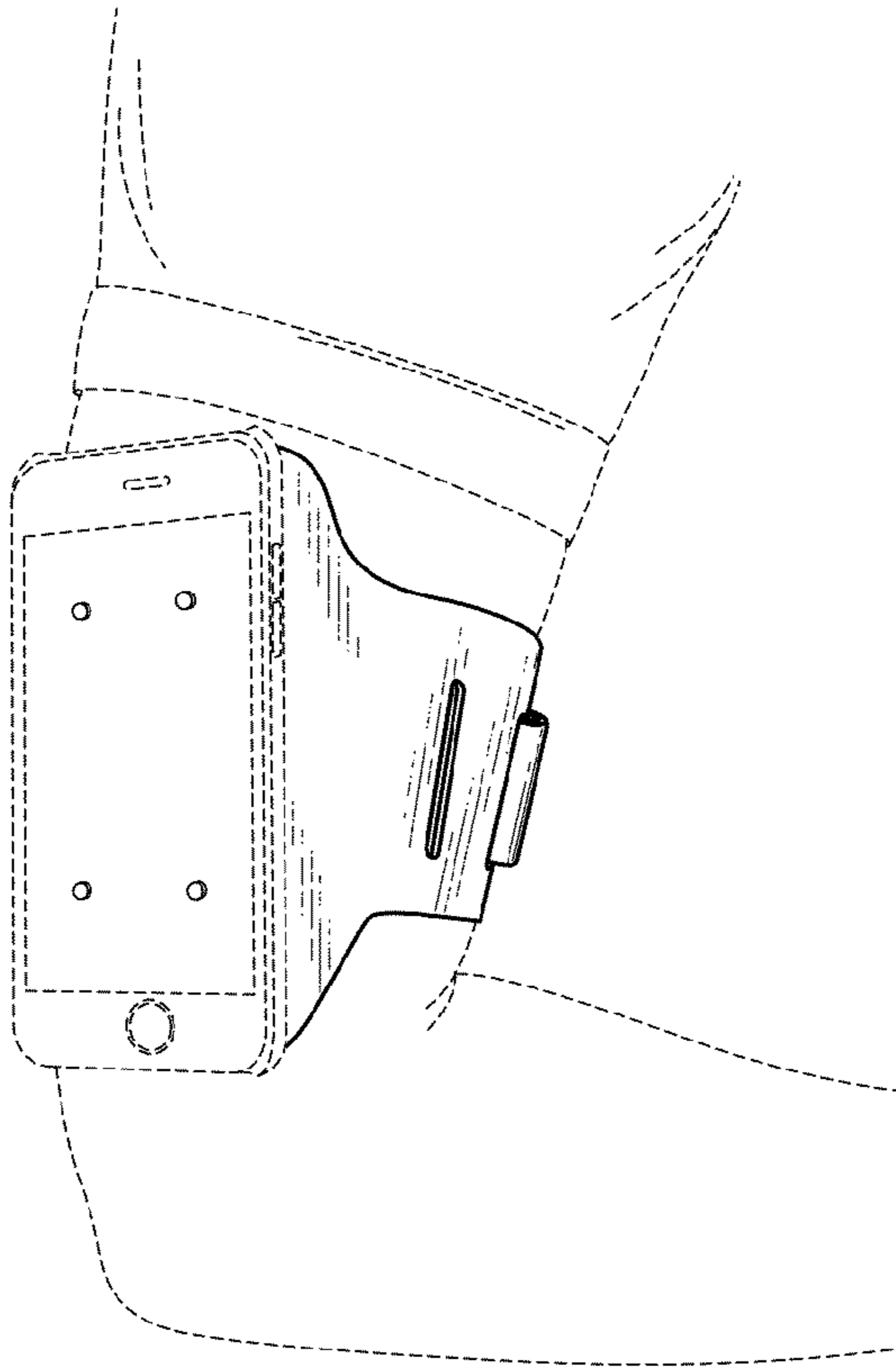


FIG. 1

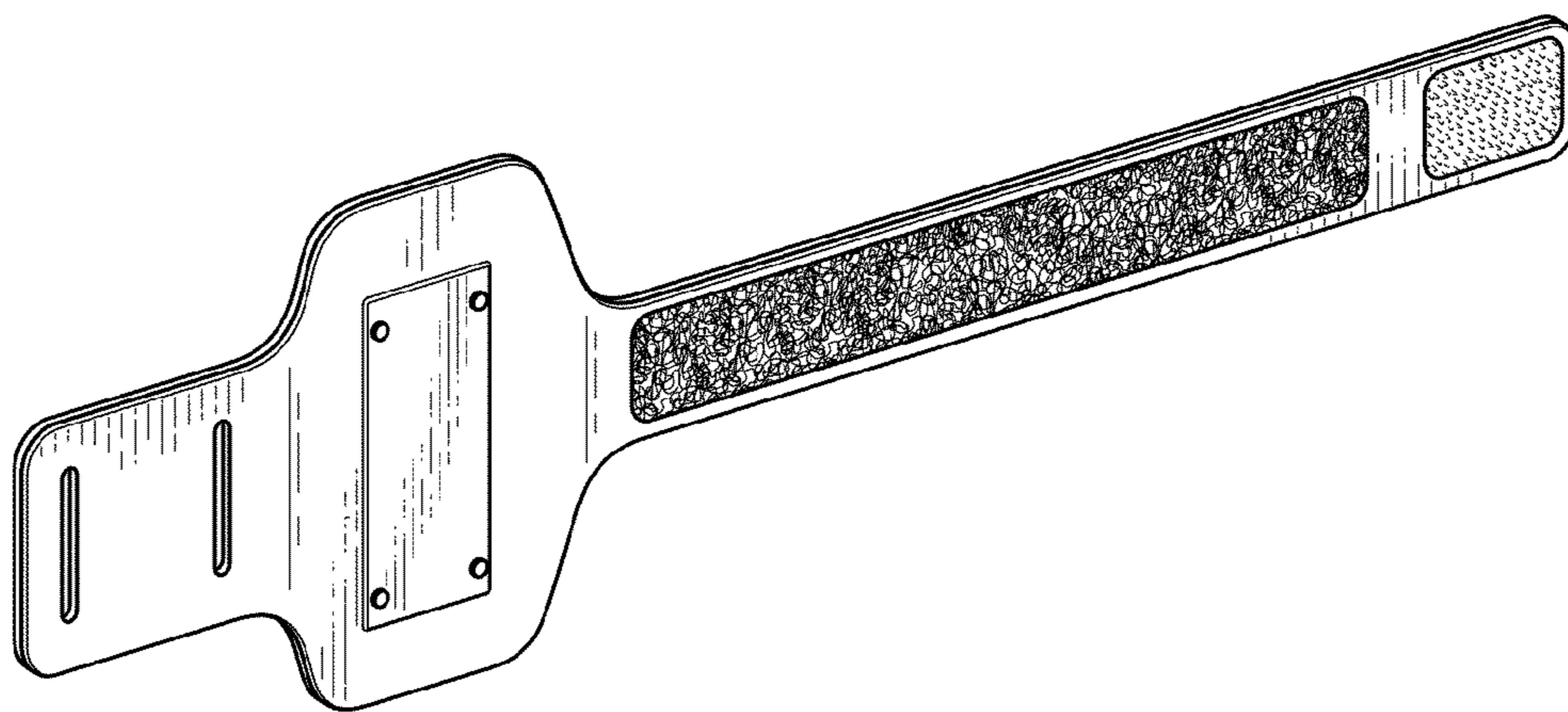


FIG. 2

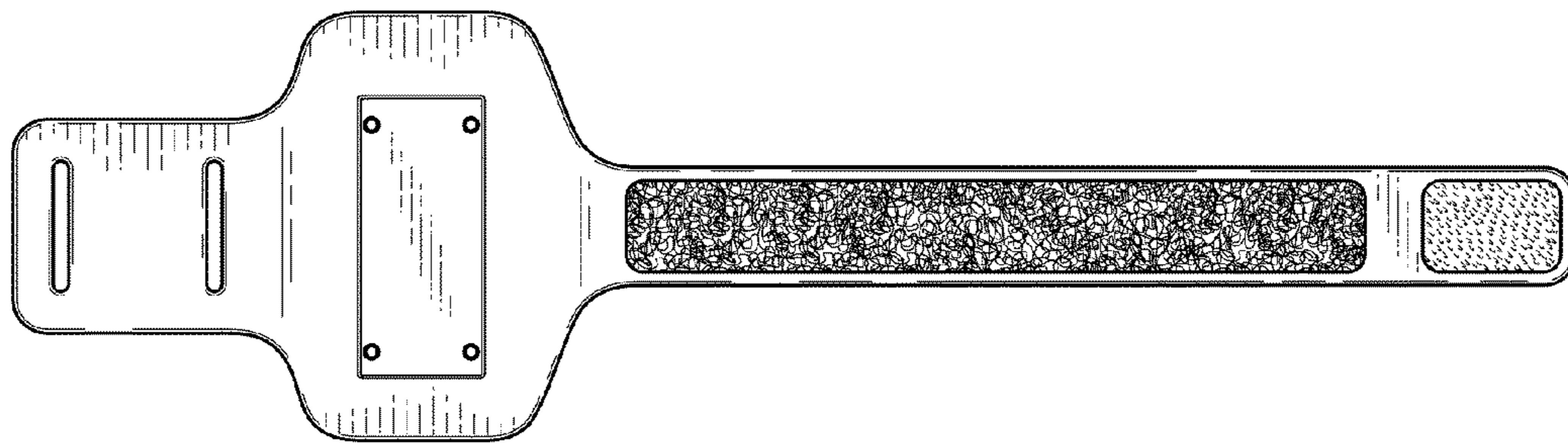


FIG. 3

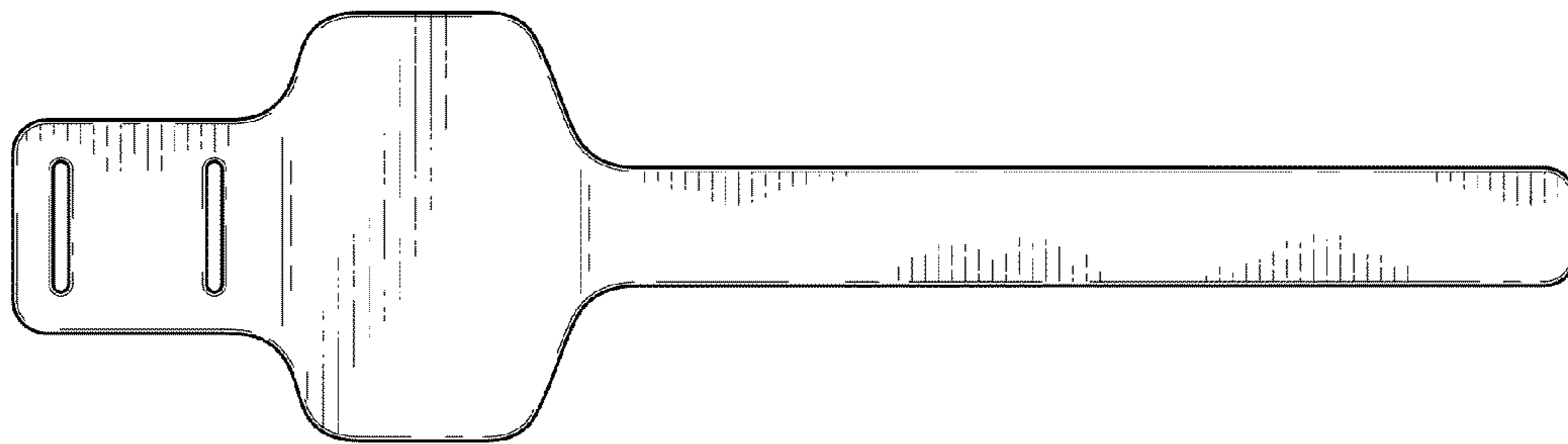


FIG. 4



FIG. 5



FIG. 6



FIG. 7



FIG. 8