



US00D759955S

(12) **United States Design Patent**  
**Ma**

(10) **Patent No.:** **US D759,955 S**  
(45) **Date of Patent:** **\*\* Jun. 28, 2016**

(54) **UMBRELLA**

D162,678 S 3/1951 Muller-Munk  
D167,619 S 9/1952 Coran  
2,745,421 A 5/1956 Russell

(76) Inventor: **Oliver Joen-an Ma**, Arcadia, CA (US)

(Continued)

(\*\*) Term: **14 Years**

FOREIGN PATENT DOCUMENTS

(21) Appl. No.: **29/425,490**

BG 6965-0001 4/2009  
CN 202190859 4/2012

(22) Filed: **Jun. 22, 2012**

(Continued)

(30) **Foreign Application Priority Data**

OTHER PUBLICATIONS

Dec. 26, 2011 (CN) ..... 2011 3 0499431  
Jan. 16, 2012 (CN) ..... 2012 3 0011965  
Jan. 16, 2012 (CN) ..... 2012 3 0011967

Operation Manual Easy Sun Parasol Sunshade (Issue: Jul. 2004) pp. 1-17.

(51) **LOC (10) Cl.** ..... **03-03**

*Primary Examiner* — John Windmuller

(52) **U.S. Cl.**

(74) *Attorney, Agent, or Firm* — Knobbe, Martens, Olson & Bear, LLP

USPC ..... **D3/5; D3/10**

(57) **CLAIM**

(58) **Field of Classification Search**

The ornamental design for an umbrella, as shown and described.

USPC ..... D3/5-17; 135/15.1, 23, 25.3, 26, 27, 135/29, 31, 32

**DESCRIPTION**

See application file for complete search history.

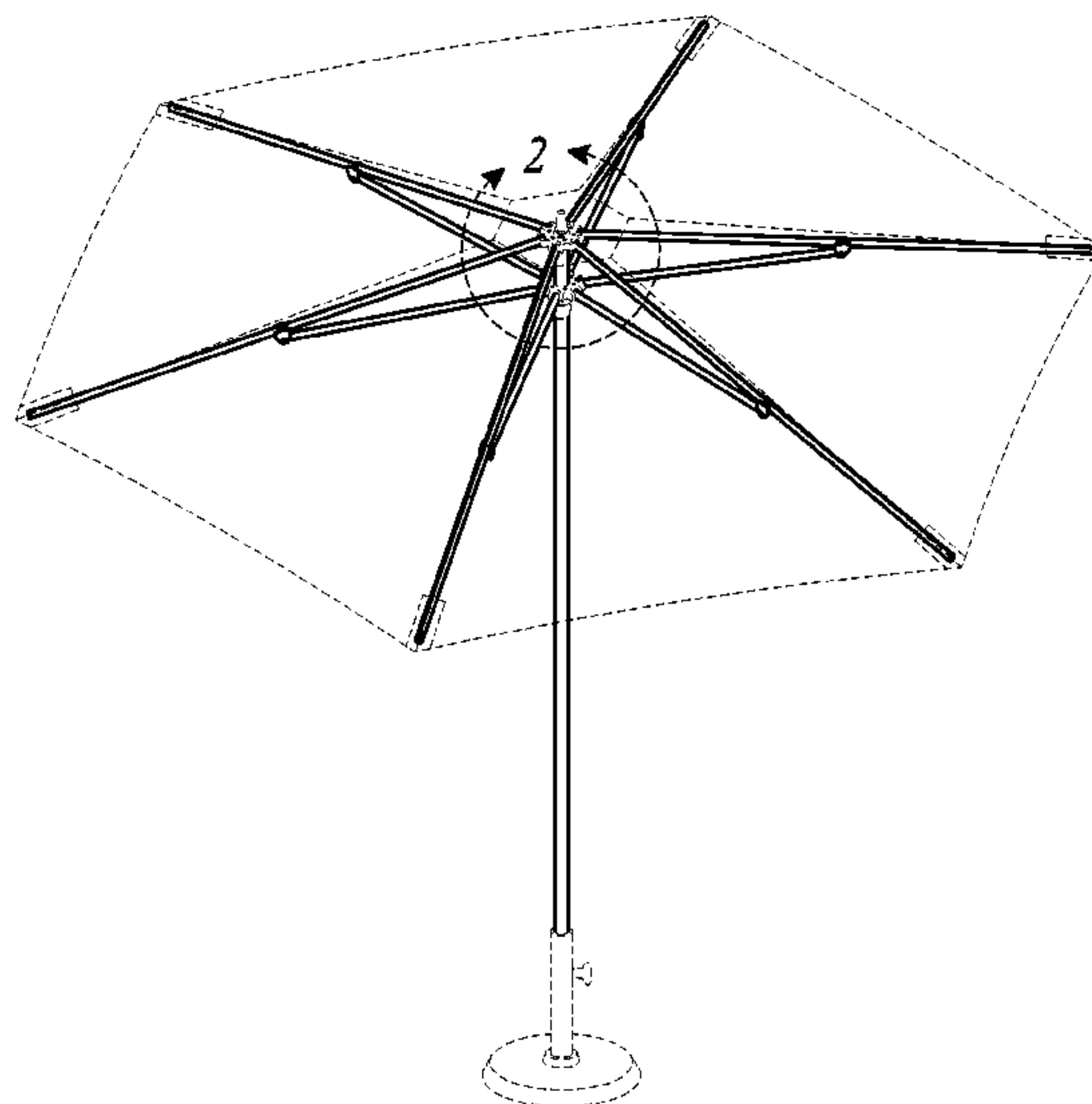
FIG. 1 is a perspective view of an embodiment of an umbrella showing a new design;  
FIG. 2 is a detail view of the new umbrella design of FIG. 1 taken at 2 shown in FIG. 1;  
FIG. 3 is a front or rear view of the design of FIG. 1;  
FIG. 4 is a detail view of the new umbrella design of FIG. 1 taken at 4 shown in FIG. 3;  
FIG. 5 is a right or left side view of the design of FIG. 1;  
FIG. 6 is a detail view of the new umbrella design of FIG. 1 taken at 6 shown in FIG. 5;  
FIG. 7 is a top view of the design of FIG. 1;  
FIG. 8 is a detail view of the new umbrella design of FIG. 1 taken at 8 shown in FIG. 7;  
FIG. 9 is a bottom view of the design of FIG. 1; and,  
FIG. 10 is a detail view of the new umbrella design of FIG. 1 taken at 10 shown in FIG. 9.

(56) **References Cited**

U.S. PATENT DOCUMENTS

526,155 A 9/1894 Kimball  
878,270 A 2/1908 Blake et al.  
956,657 A 5/1910 Wetteroth  
957,528 A 5/1910 Wetteroth  
D45,227 S 2/1914 Glauber  
1,136,887 A 4/1915 Penn  
1,235,296 A 7/1917 Dillingham  
1,243,594 A 10/1917 Dillingham  
1,255,627 A 2/1918 Morrow et al.  
1,268,354 A 6/1918 Howard  
1,801,913 A 4/1931 Frederick  
D90,772 S 9/1933 Kasch  
D127,735 S 6/1941 Dreyfuss  
2,447,972 A 8/1948 Weinert  
2,475,406 A 7/1949 Russell

**1 Claim, 10 Drawing Sheets**



(56)

References Cited

U.S. PATENT DOCUMENTS

2,762,383	A	9/1956	Wittman	6,575,182	B2	6/2003	Tung	
2,937,653	A	5/1960	Danciar et al.	6,575,183	B2	6/2003	Tung	
D190,597	S	6/1961	Nelson	D477,458	S	7/2003	Goldwitz	
3,120,238	A	2/1964	Glatz	6,588,438	B1	7/2003	Steiner	
3,145,720	A	8/1964	Torii	6,595,225	B2	7/2003	Chuang et al.	
3,424,180	A	1/1969	Giancarlo	D478,416	S	8/2003	Clarke	
3,856,032	A	12/1974	Schafer	6,619,306	B2	9/2003	Ma	
D265,498	S	7/1982	Paul	6,662,815	B2	12/2003	Tung	
4,368,749	A *	1/1983	Lindler et al. .... 135/15.1	6,732,753	B2	5/2004	Chang	
D276,838	S	12/1984	Hill et al.	6,758,229	B2	7/2004	Wang	
4,586,525	A	5/1986	Glatz et al.	D497,478	S	10/2004	Clarke	
4,610,262	A	9/1986	Broyer et al.	D497,479	S	10/2004	Yu	
4,622,987	A	11/1986	Redl et al.	6,810,895	B2	11/2004	Lin et al.	
4,674,523	A	6/1987	Glatz	6,837,255	B2	1/2005	Bunch et al.	
4,811,670	A	3/1989	Kolvites et al.	6,848,459	B2 *	2/2005	Ma ..... 135/20.1	
4,878,509	A	11/1989	Tung	6,851,823	B2	2/2005	Bilotti	
4,993,445	A	2/1991	Dubinsky	D503,035	S	3/2005	Ko	
5,002,081	A	3/1991	Stromeyer	6,889,699	B2	5/2005	Clarke	
5,020,557	A	6/1991	Apple	6,920,887	B2 *	7/2005	Lo ..... 135/32	
5,029,596	A	7/1991	Tung	6,941,960	B2	9/2005	Huang	
5,050,627	A	9/1991	Hengtzu	7,000,624	B2	2/2006	Chang	
5,174,319	A	12/1992	Chou et al.	D525,721	S	7/2006	Landes	
5,284,171	A	2/1994	Liu	7,082,953	B2	8/2006	Liu	
D344,786	S	3/1994	Short et al.	7,089,950	B2	8/2006	Lin	
5,349,975	A	9/1994	Valdner	D539,632	S	4/2007	Ma	
5,355,903	A	10/1994	Haddad et al.	7,281,542	B2	10/2007	Ko	
5,357,994	A	10/1994	Chung	7,293,573	B2	11/2007	Clarke	
5,499,644	A	3/1996	Geniele	D558,444	S	1/2008	Ma	
D372,854	S	8/1996	Jimenez	7,318,444	B2	1/2008	Clakre	
5,584,564	A	12/1996	Phyle	7,328,715	B2	2/2008	Neubardt	
5,588,455	A	12/1996	Kuo	7,412,985	B2	8/2008	Ma	
5,611,364	A	3/1997	Woods et al.	7,546,845	B2	6/2009	Prusmack	
5,615,698	A	4/1997	Ko	7,600,734	B2	10/2009	Clarke	
5,640,984	A	6/1997	Dubunsky	7,665,477	B1	2/2010	Hathaway	
5,655,557	A	8/1997	Martin	7,686,024	B1	3/2010	Lai	
5,740,823	A	4/1998	Lin et al.	7,703,464	B2	4/2010	Ma	
5,740,824	A	4/1998	Tang	7,775,226	B2 *	8/2010	MacDonald et al. .... 135/31	
5,749,386	A	5/1998	Samuel, Jr.	7,806,130	B2	10/2010	Gobel	
5,785,069	A	7/1998	Glatz	D631,243	S	1/2011	Forthuber et al.	
D397,054	S	8/1998	Brantley et al.	7,861,734	B2	1/2011	Ma	
D398,443	S	9/1998	Bolle	7,891,367	B2	2/2011	Ma	
5,809,734	A	9/1998	Turner	7,900,643	B2	3/2011	Ma	
D400,777	S	11/1998	Carsello	7,913,708	B2	3/2011	Yung	
5,836,328	A	11/1998	Lee	7,913,709	B2 *	3/2011	Brebner ..... 135/33.5	
5,868,152	A	2/1999	Brown	D637,388	S *	5/2011	You ..... D3/10	
5,871,024	A	2/1999	Vanderminden, Sr.	D640,464	S *	6/2011	Forthuber et al. .... D3/5	
5,884,645	A	3/1999	Chen et al.	7,980,262	B1 *	7/2011	You ..... 135/32	
D408,621	S	4/1999	Kuo	8,061,375	B2	11/2011	Ma	
5,899,210	A	5/1999	Letherby et al.	D650,984	S *	12/2011	Pineda ..... D3/10	
D410,862	S	6/1999	Milhov	8,082,935	B2	12/2011	Ma	
5,937,882	A	8/1999	Harbaugh	8,096,310	B2	1/2012	Clarke	
6,014,980	A	1/2000	Glatz	D664,760	S *	8/2012	Elder ..... D3/5	
D434,215	S	11/2000	Lin	8,424,547	B1	4/2013	Ma et al.	
D434,476	S	11/2000	Meda	8,443,819	B2 *	5/2013	Beaulieu ..... 135/32	
6,145,523	A	11/2000	Lo	2002/0083969	A1	7/2002	Tung	
6,152,156	A	11/2000	Tung	2002/0139405	A1	10/2002	Lee	
D434,556	S	12/2000	Lin	2003/0010367	A1 *	1/2003	Ko ..... 135/32	
6,192,907	B1	2/2001	Wu	2003/0015230	A1	1/2003	Glatz	
6,220,261	B1	4/2001	Glatz	2003/0062073	A1 *	4/2003	Tung ..... 135/20.1	
6,230,728	B1	5/2001	Reese	2004/0031513	A1	2/2004	Bunch et al.	
6,247,483	B1	6/2001	Tung	2004/0055627	A1	3/2004	Moga	
6,305,394	B1	10/2001	Reese	2004/0055628	A1	3/2004	Yu	
6,311,705	B1	11/2001	Ma	2004/0069333	A1	4/2004	Ma	
6,311,707	B1	11/2001	Wu et al.	2004/0154525	A1	8/2004	Wirth et al.	
6,314,976	B1	11/2001	Clarke	2004/0182429	A1	9/2004	Chen	
6,330,886	B1	12/2001	Culver	2004/0206382	A1	10/2004	Clarke	
6,371,141	B1	4/2002	Lin et al.	2004/0206383	A1	10/2004	Clarke	
6,371,686	B1	4/2002	Wu	2005/0098200	A1	5/2005	Su	
6,386,214	B1	5/2002	Clarke	2006/0005867	A1	1/2006	Chang	
6,386,215	B1	5/2002	Chang	2006/0151019	A1	7/2006	Lo	
6,397,866	B1	6/2002	You	2008/0202570	A1	8/2008	Clarke	
6,412,506	B1	7/2002	Reese	2010/0139724	A1	6/2010	Lai	
6,422,251	B1	7/2002	Tseng	2010/0139725	A1	6/2010	Lai	
6,478,037	B2	11/2002	Tung	2011/0061694	A1	3/2011	Vanderminden, Sr.	
6,571,813	B2	6/2003	Lin et al.	2011/0132418	A1	6/2011	Ma	
				2011/0155194	A1	6/2011	Liu	
				2011/0209732	A1	9/2011	Ma	

(56)

**References Cited**

U.S. PATENT DOCUMENTS

2011/0214705 A1 9/2011 Ma  
2011/0277800 A1 11/2011 Tung  
2014/0109942 A1 4/2014 Ma

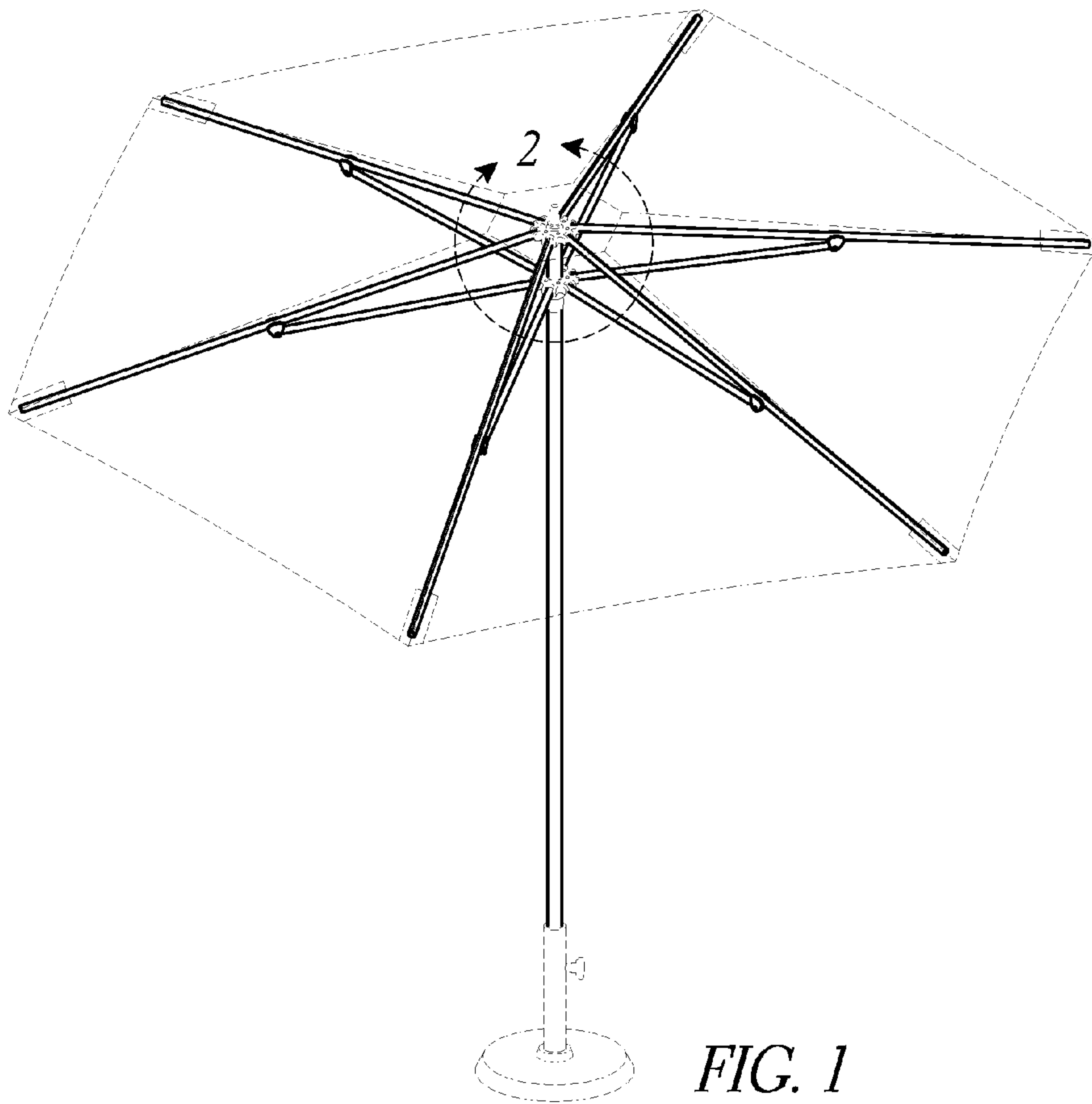
FOREIGN PATENT DOCUMENTS

DE 3820573 8/1989

EP 0 628 264 12/1994  
EP 1 510 145 3/2005  
FR 2672781 A3 8/1992  
JP 2006-110317 A 4/2006  
JP 2007-222591 9/2007  
JP 2008-142310 6/2008  
WO WO 2005/058089 6/2005  
WO WO 2007/092514 8/2007

\* cited by examiner





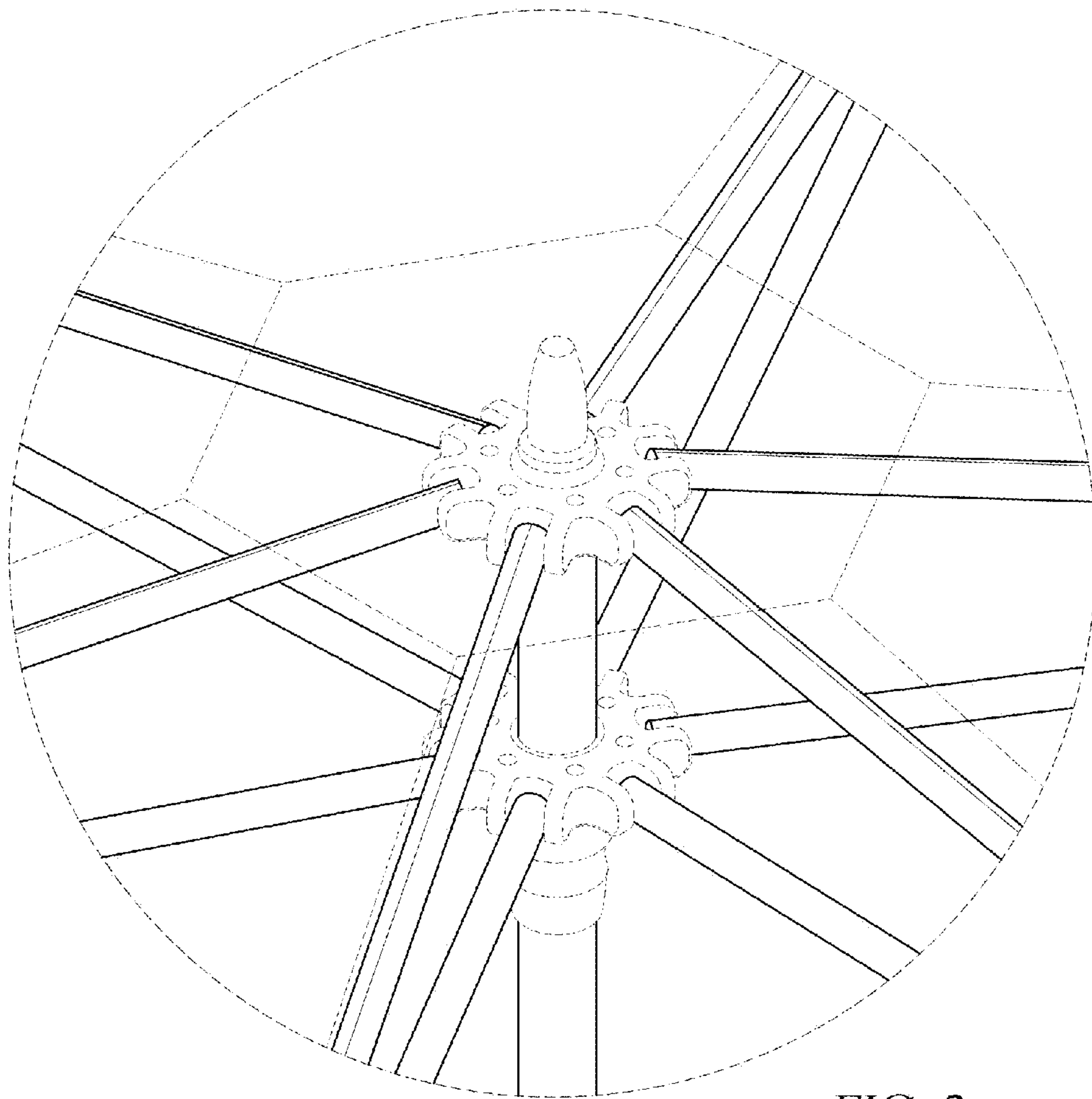


FIG. 2



*FIG. 3*

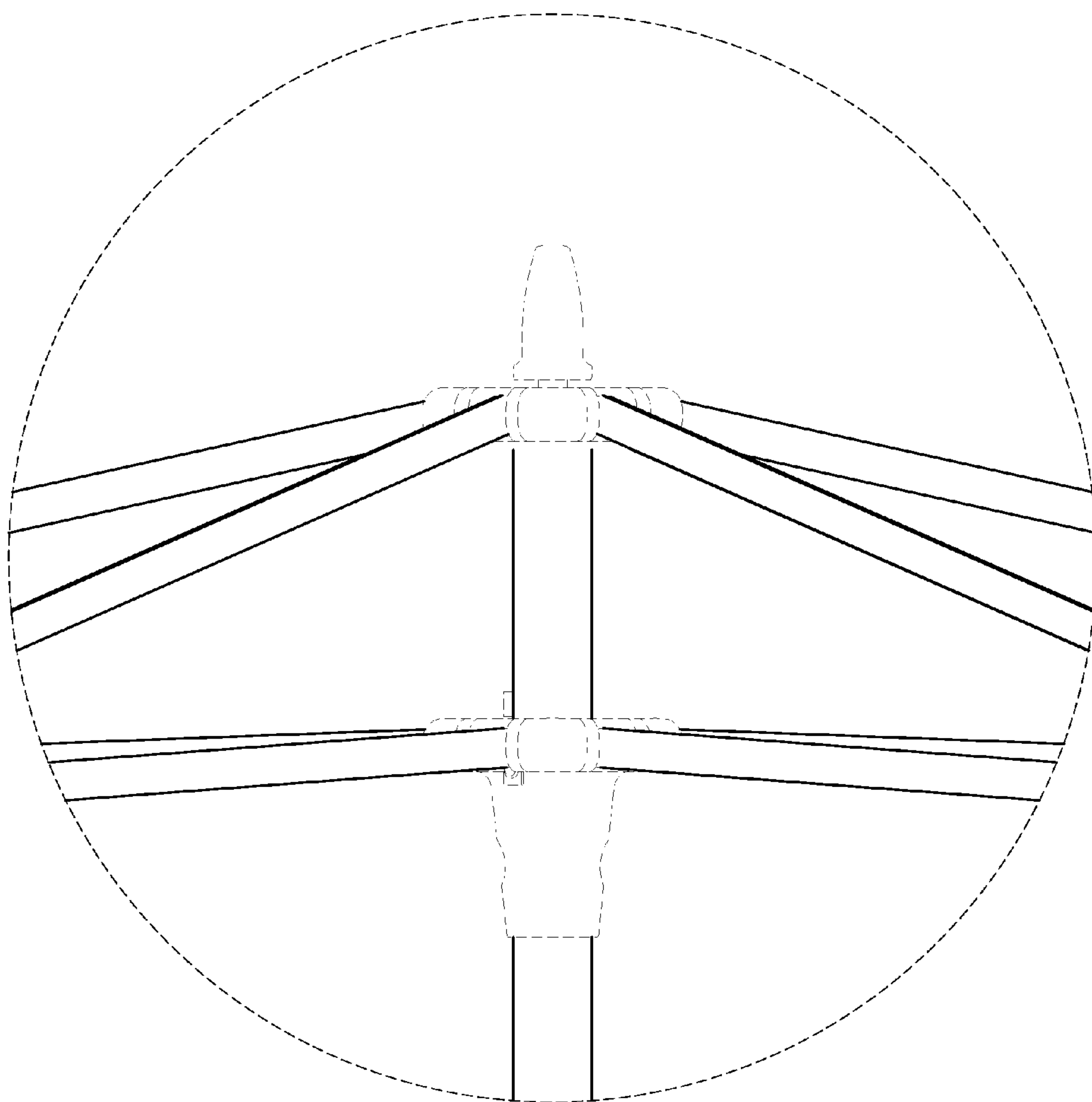
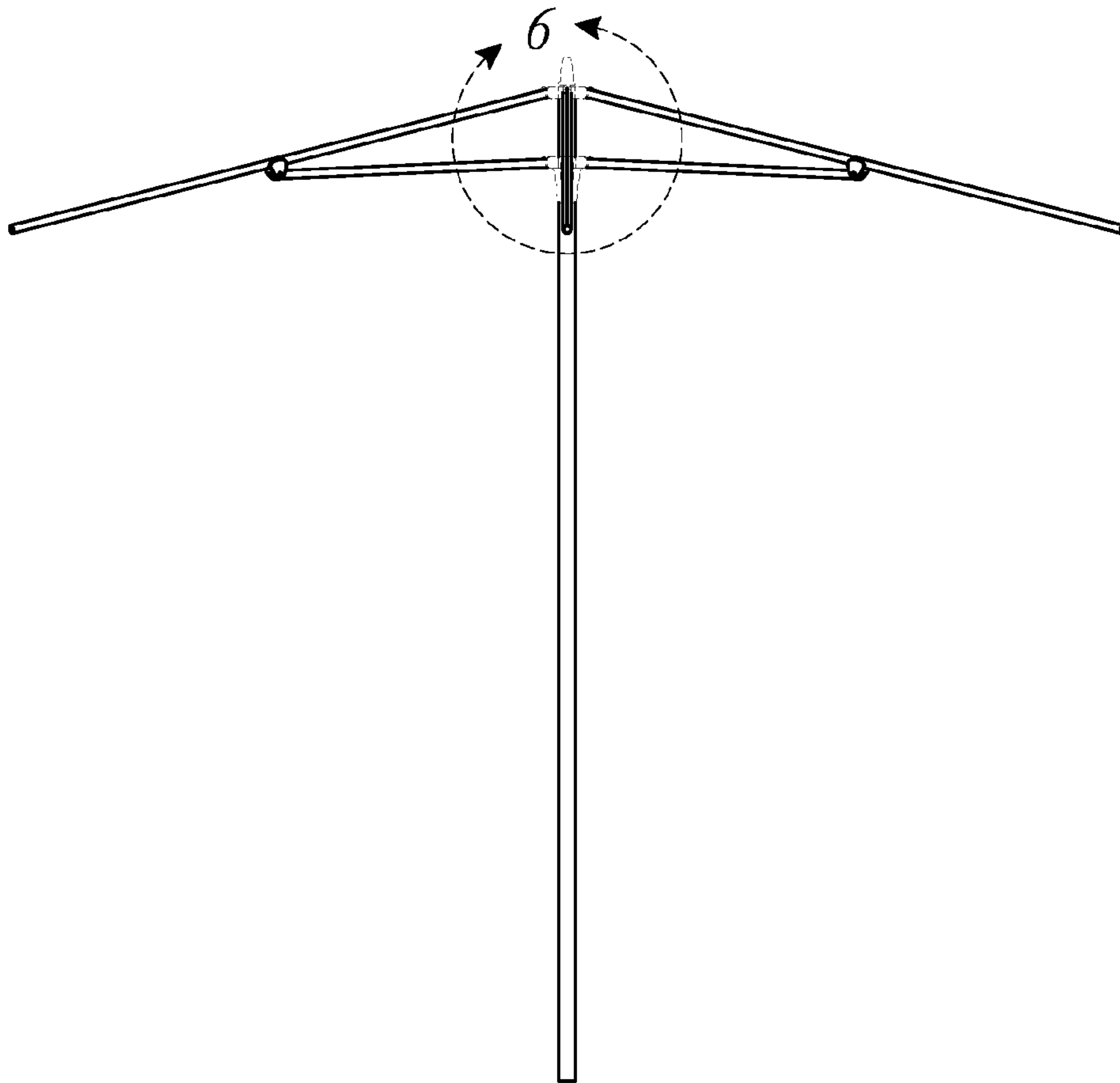
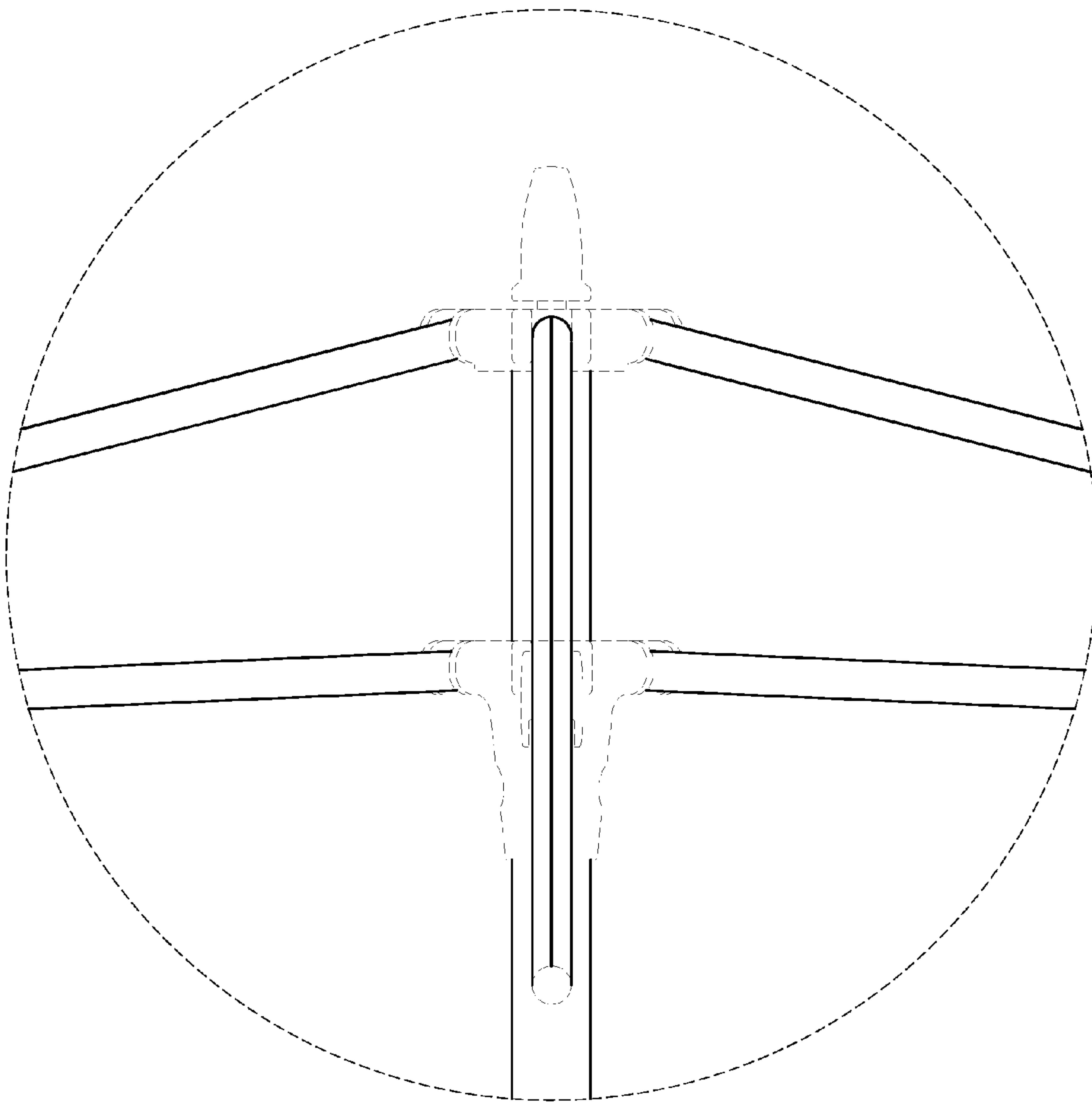


FIG. 4



*FIG. 5*





*FIG. 6*

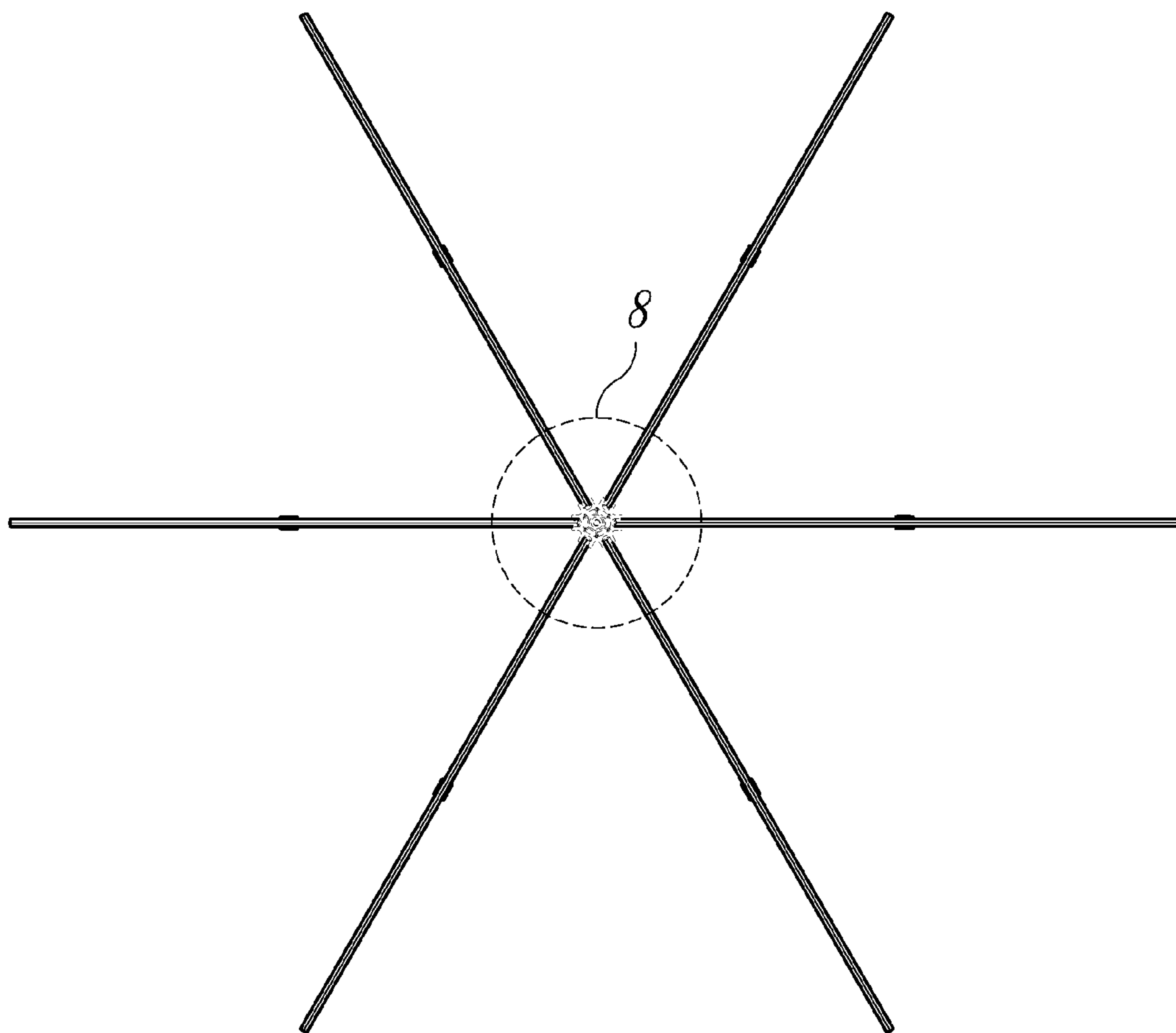


FIG. 7

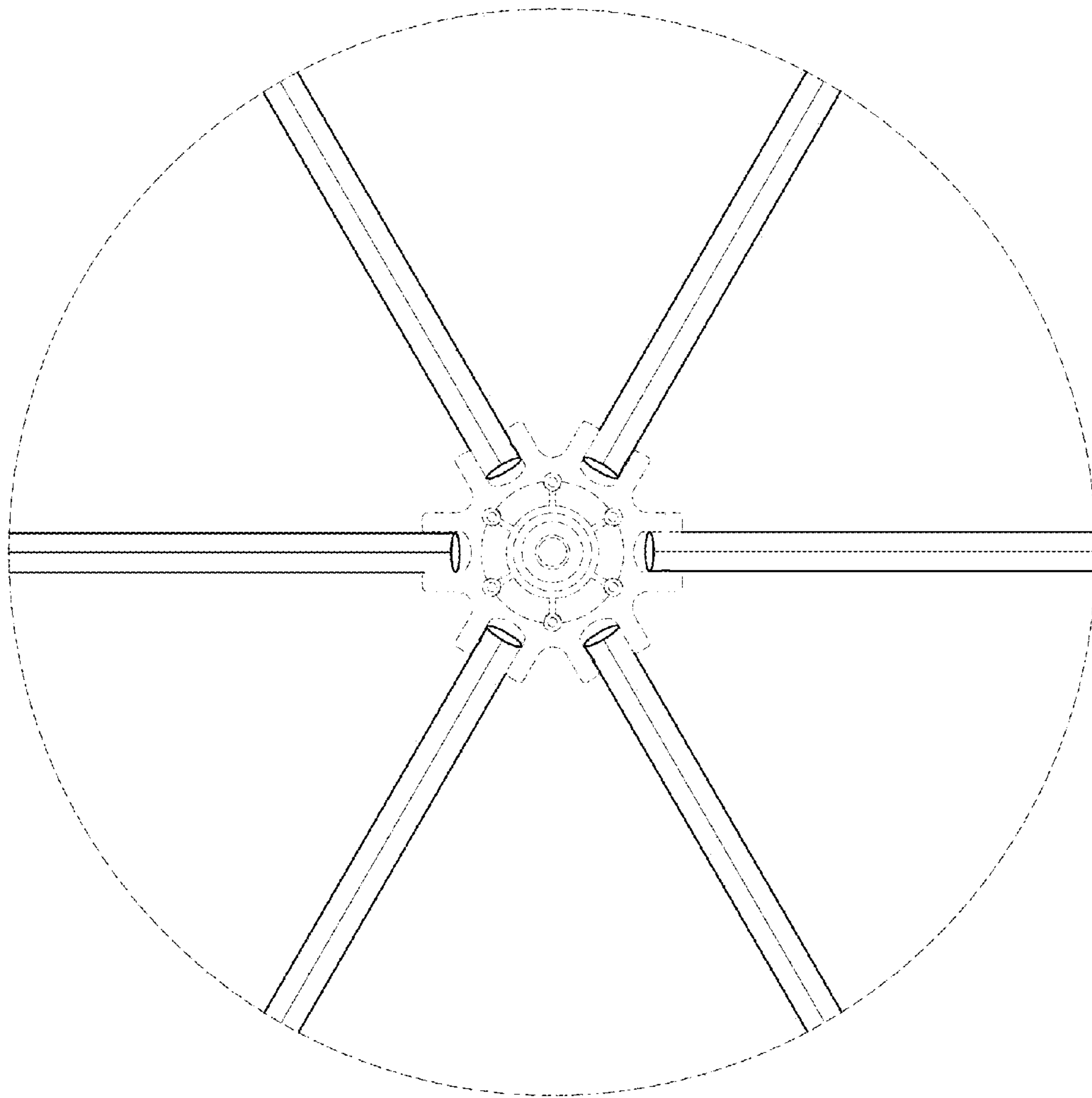


FIG. 8

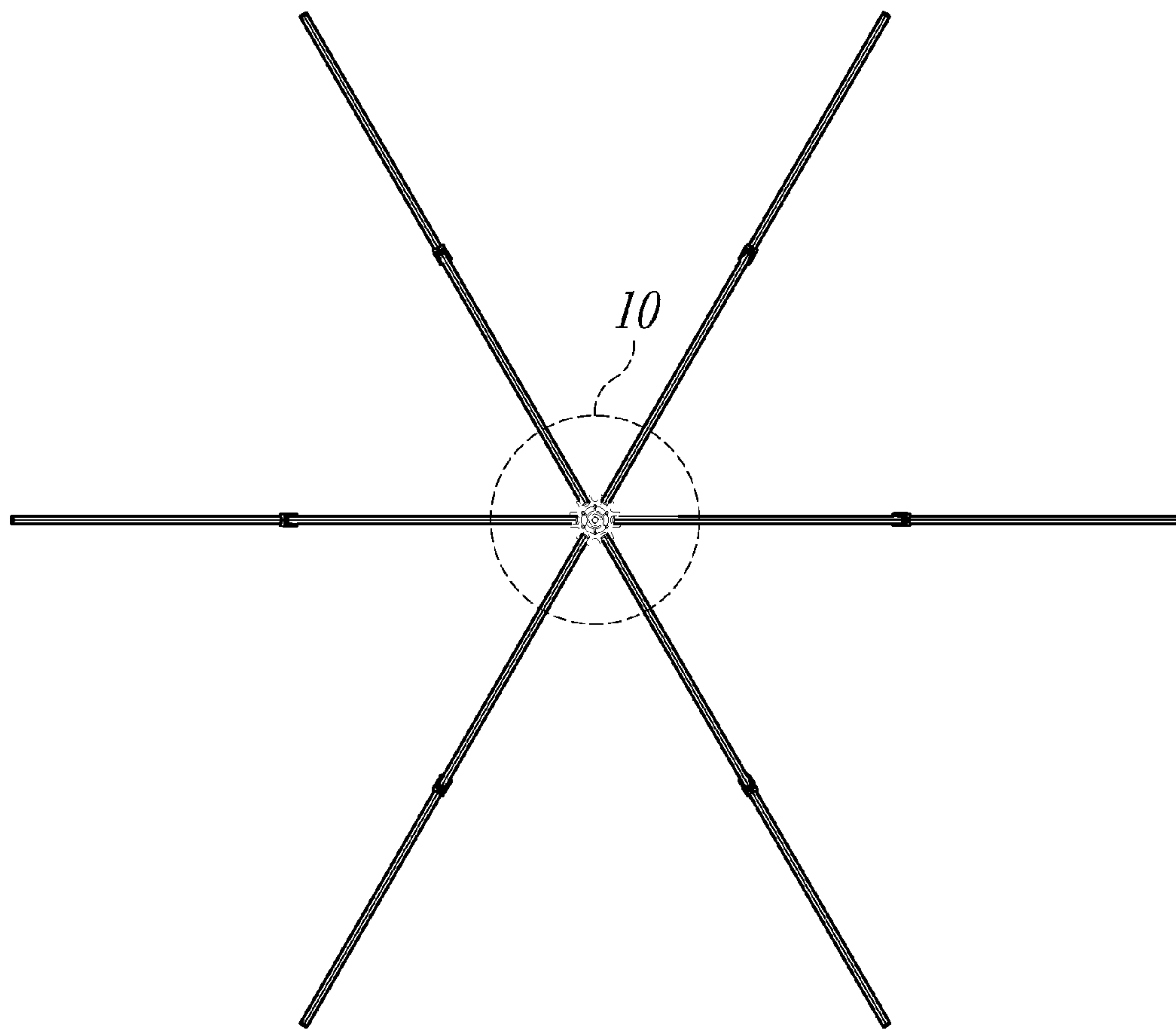
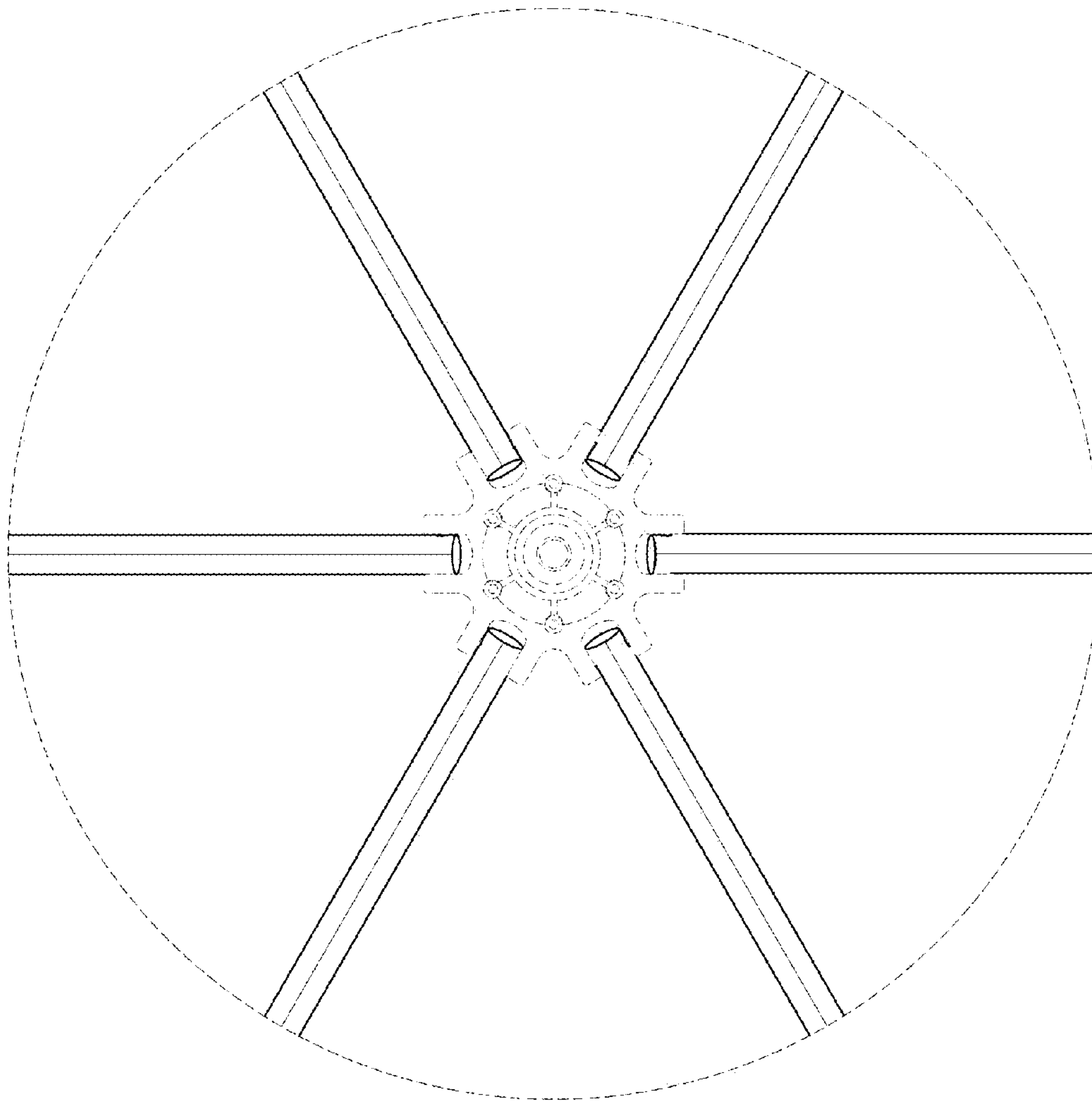


FIG. 9



*FIG. 10*