



US00D759953S

(12) **United States Design Patent**
Cohn et al.

(10) **Patent No.:** **US D759,953 S**

(45) **Date of Patent:** **** Jun. 28, 2016**

(54) **SOLE FOR ORTHOPEDIC BOOT**

(71) Applicant: **OVATION MEDICAL**, Agoura Hills, CA (US)

(72) Inventors: **Ryan C. Cohn**, Los Feliz, CA (US);
Steven Eastwood, Pasadena, CA (US);
Tracy E. Grim, Thousand Oaks, CA (US);
Steven L. Hecker, Los Angeles, CA (US);
Kenji Watabe, Ventura, CA (US);
Tim Crowley, Arvada, CO (US)

(73) Assignee: **Ovation Medical**, Agoura Hills, CA (US)

(**) Term: **14 Years**

(21) Appl. No.: **29/502,009**

(22) Filed: **Sep. 10, 2014**

(51) **LOC (10) Cl.** **02-04**

(52) **U.S. Cl.**
USPC **D2/960**; D2/951; D2/953; D2/956

(58) **Field of Classification Search**
USPC D2/902, 906, 908, 916, 918, 925,
D2/946-962, 977; 36/3 B, 22 R, 24.5, 25 R,
36/28, 32 R, 34 R, 59 C, 67 A, 103;
D24/192
CPC A43B 13/00; A43B 13/02; A43B 13/023;
A43B 13/026; A43B 13/04; A43B 13/08;
A43B 13/10; A43B 13/12; A43B 13/14;
A43B 13/141; A43B 13/143; A43B 13/16;
A43B 13/18; A43B 13/181; A43B 13/187;
A43B 13/189; A43B 13/20; A43B 13/22;
A43B 13/223; A43B 13/24; A43B 13/28;
A43B 13/30; A43B 13/32; A43B 13/34;
A43B 13/36

See application file for complete search history.

(56) **References Cited**

U.S. PATENT DOCUMENTS

4,617,745	A *	10/1986	Batra	A43B 7/146 36/28
D387,864	S *	12/1997	Hatfield	D2/953
D437,477	S *	2/2001	Tyler	D2/947
D439,393	S *	3/2001	White	D2/947
D604,932	S *	12/2009	Le	D2/951
D605,839	S *	12/2009	Horton	D2/951
D613,489	S *	4/2010	Horton	D2/951
D682,523	S *	5/2013	Shyllon	D2/951
D724,830	S *	3/2015	Joseph	D2/951
9,210,965	B2 *	12/2015	O'Connor	A43B 3/108
D749,833	S *	2/2016	Hansen	D2/951
2014/0276310	A1 *	9/2014	Grim	A61F 5/0195 602/23
2014/0296762	A1 *	10/2014	Hecker	A61F 5/0585 602/28

* cited by examiner

Primary Examiner — T. Chase Nelson

(74) *Attorney, Agent, or Firm* — Arent Fox LLP

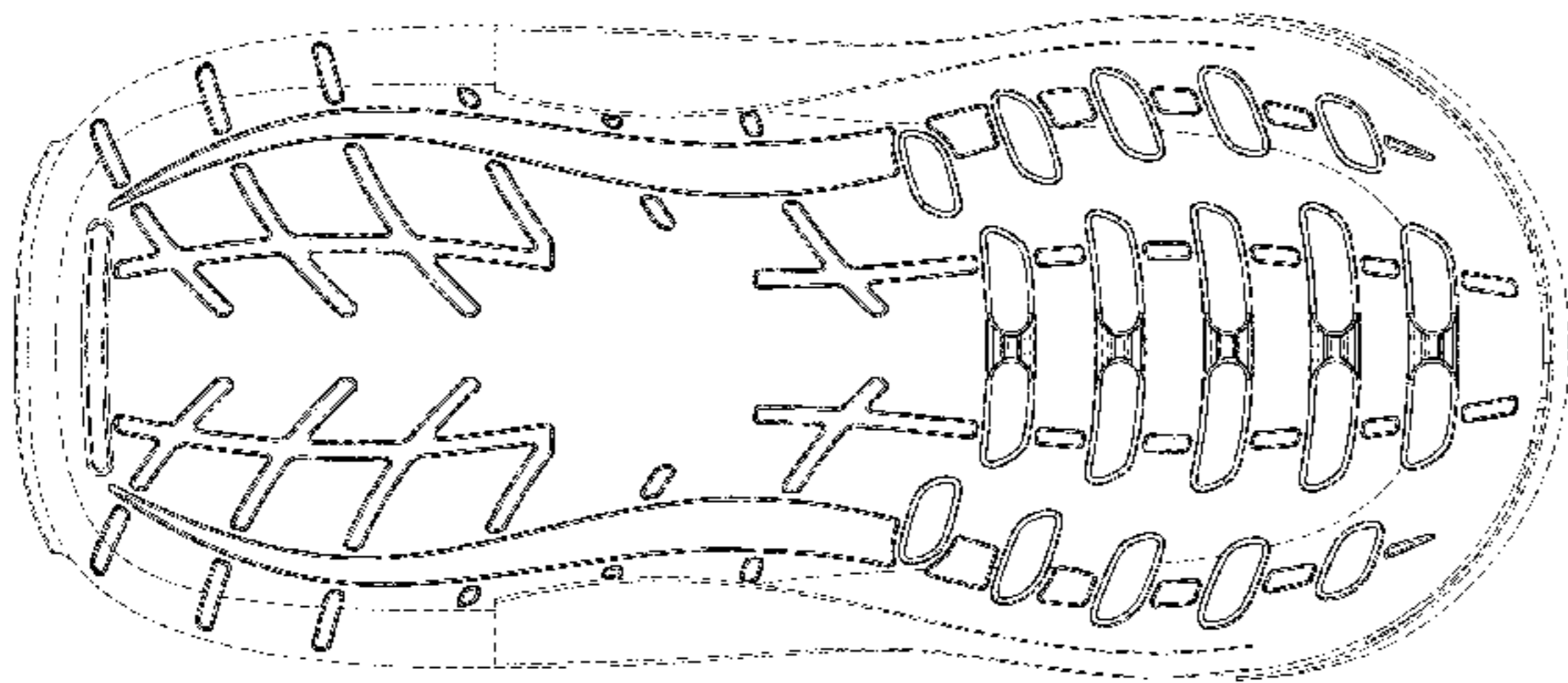
(57) **CLAIM**

The ornamental design for a sole for orthopedic boot, as shown and described.

DESCRIPTION

FIG. 1 is bottom perspective view of a sole for orthopedic boot showing our new design, according to an embodiment of the present invention;
FIG. 2 is bottom view thereof;
FIG. 3 is a left side view thereof, the right-side view is a mirror image of the left-side view;
FIG. 4 is a front view thereof; and,
FIG. 5 is a back view thereof.
The broken lines depict portions of the sole for orthopedic boot that form no part of the claimed design.

1 Claim, 4 Drawing Sheets



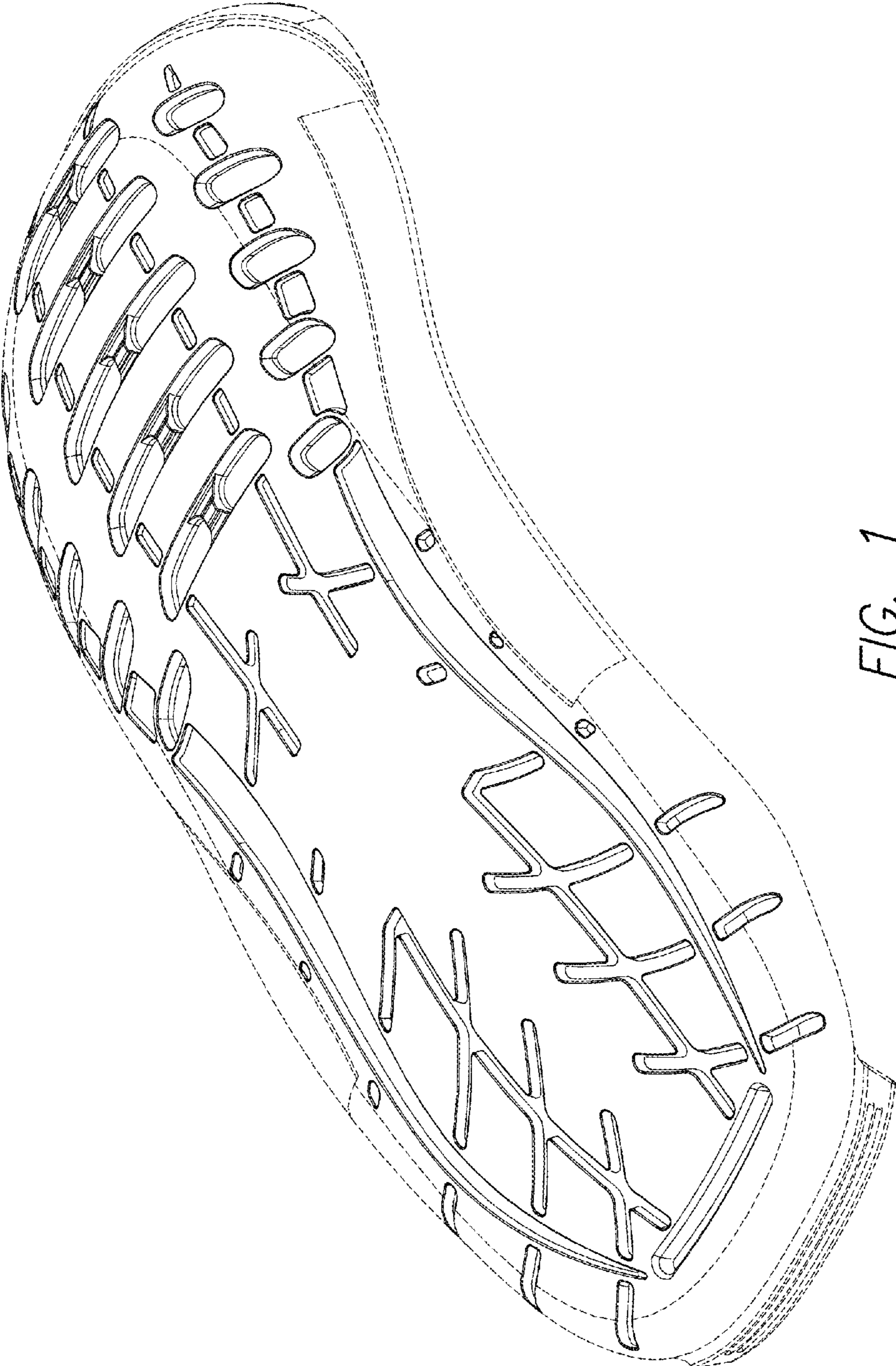


FIG. 1

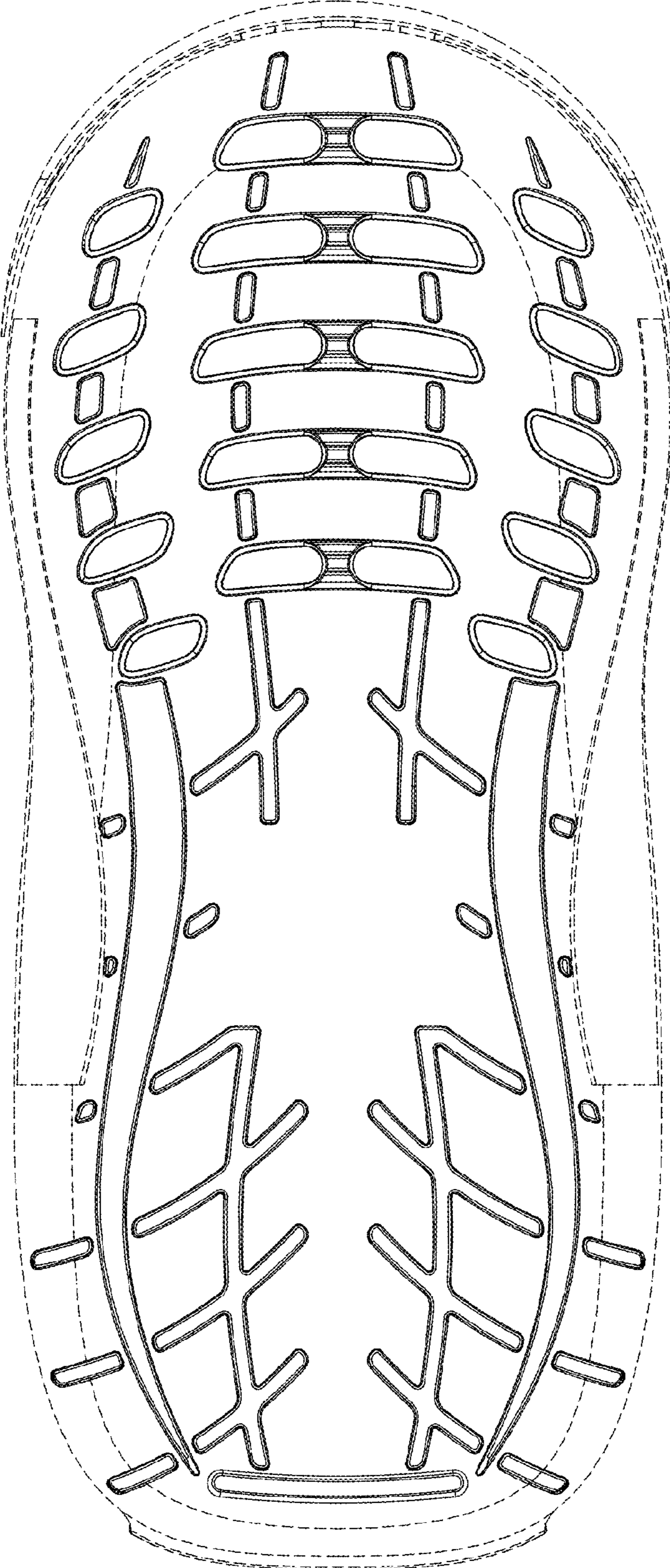


FIG. 2

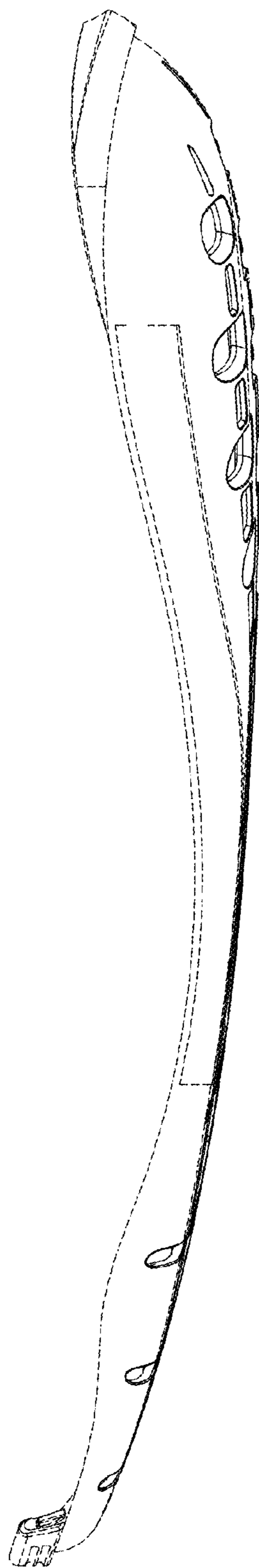


FIG. 3

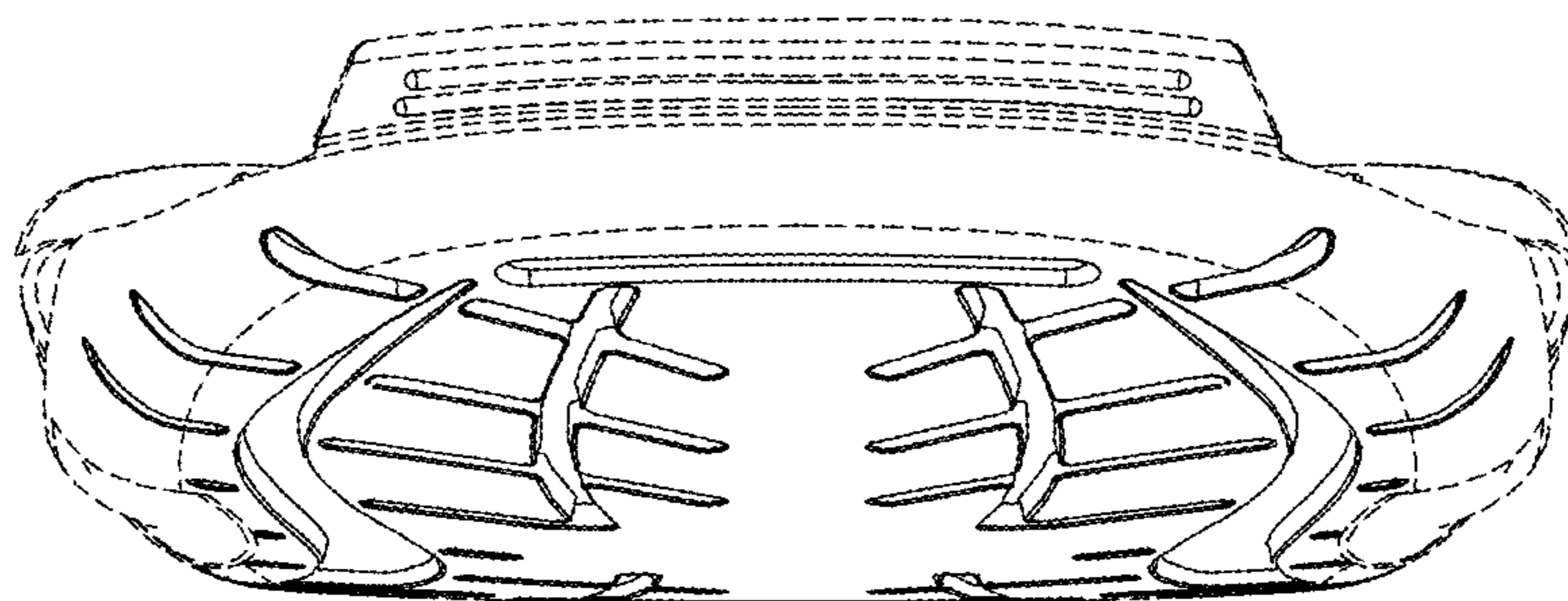


FIG. 4

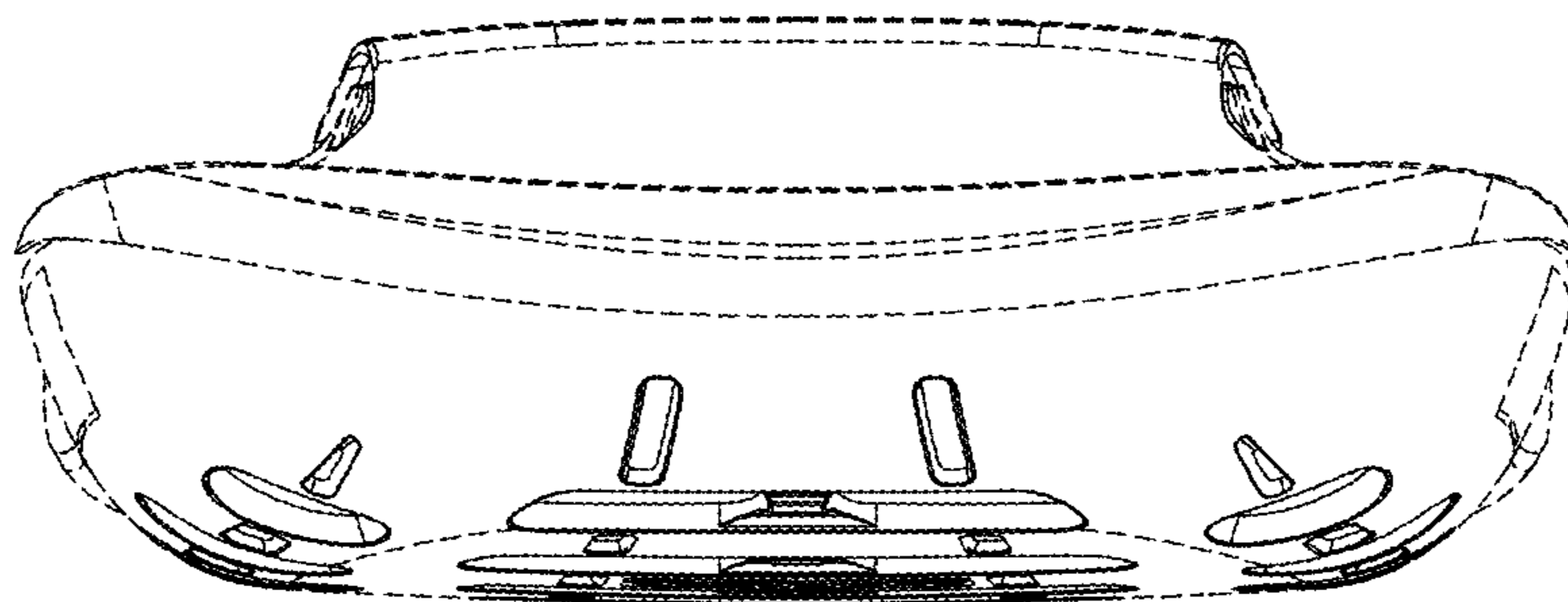


FIG. 5