



US00D759946S

(12) **United States Design Patent**
Yurevich

(10) **Patent No.:** **US D759,946 S**
(45) **Date of Patent:** **** Jun. 28, 2016**

(54) **HAT WITH PENNANT SHAPED POCKET FOR RECEIVING EYEGLASSES**

(71) Applicant: **William V Yurevich**, Lawrenceville, GA (US)

(72) Inventor: **William V Yurevich**, Lawrenceville, GA (US)

(73) Assignee: **William V. Yurevich**, Lawrenceville, GA (US)

(**) Term: **14 Years**

(21) Appl. No.: **29/492,979**

(22) Filed: **Jun. 4, 2014**

(51) **LOC (10) Cl.** **02-03**

(52) **U.S. Cl.**
USPC **D2/891**

(58) **Field of Classification Search**
USPC D2/865-895; 2/171, 181, 183, 209.12, 2/209.13, 195.1, 195.2, 195.3, 195.6, 10, 2/422, 425
CPC A42B 1/248; A42B 1/24; A42B 1/00; A42B 1/004; A42B 1/244; A42B 1/245; A42B 1/006; A42B 1/04; A42B 1/062; A42B 1/063; A42B 1/064; A42B 1/22
See application file for complete search history.

(56) **References Cited**

U.S. PATENT DOCUMENTS

- D175,846 S * 10/1955 Marsden D2/869
- 4,179,753 A * 12/1979 Aronberg A42B 1/247
2/10
- 5,102,024 A * 4/1992 Boersma A42B 3/044
2/209.13
- D384,488 S * 10/1997 Kaufman D2/866
- D396,738 S * 8/1998 Territo D2/866
- 6,442,764 B1 * 9/2002 Badillo A42B 1/244
2/175.7
- 6,481,059 B2 * 11/2002 Morris A42B 1/247
24/3.12
- 6,644,807 B1 * 11/2003 Hood G02C 3/02
2/10

- D503,261 S * 3/2005 Pedersen D2/866
- 7,003,809 B1 * 2/2006 Gordon A42B 1/241
2/209.13
- D571,982 S * 7/2008 Kirby D2/882
- 7,484,845 B2 * 2/2009 Douglas A42B 1/247
2/209.13
- D601,330 S * 10/2009 Bishop D2/882
- 7,904,970 B2 * 3/2011 Thomas A42B 1/247
2/195.6
- 7,979,921 B2 * 7/2011 Cotutsca A42B 1/247
2/209.13
- 8,650,666 B2 * 2/2014 Crutcher A42B 1/245
2/173.5
- 8,813,265 B2 * 8/2014 Schwantes A41D 20/00
2/209.13
- 2006/0152671 A1 * 7/2006 Risso A42B 1/247
351/155
- 2007/0229759 A1 * 10/2007 Jones A42B 1/247
351/200
- 2010/0122401 A1 * 5/2010 Thompson A42B 1/24
2/209.13
- 2010/0275343 A1 * 11/2010 Gibson A42B 1/24
2/209.13
- 2011/0088144 A1 * 4/2011 Thomas A42B 1/247
2/209.13
- 2011/0126343 A1 * 6/2011 Tualla A42B 1/248
2/209.13
- 2011/0219508 A1 * 9/2011 Hill A42B 1/247
2/10
- 2014/0013486 A1 * 1/2014 Leon A42B 1/006
2/209.11
- 2014/0230129 A1 * 8/2014 Viviani A42B 1/24
2/209.13
- 2015/0074869 A1 * 3/2015 Klas A63B 57/0075
2/209.13

* cited by examiner

Primary Examiner — Karen E. Eldridge Powers

Assistant Examiner — Kimberly Barnes

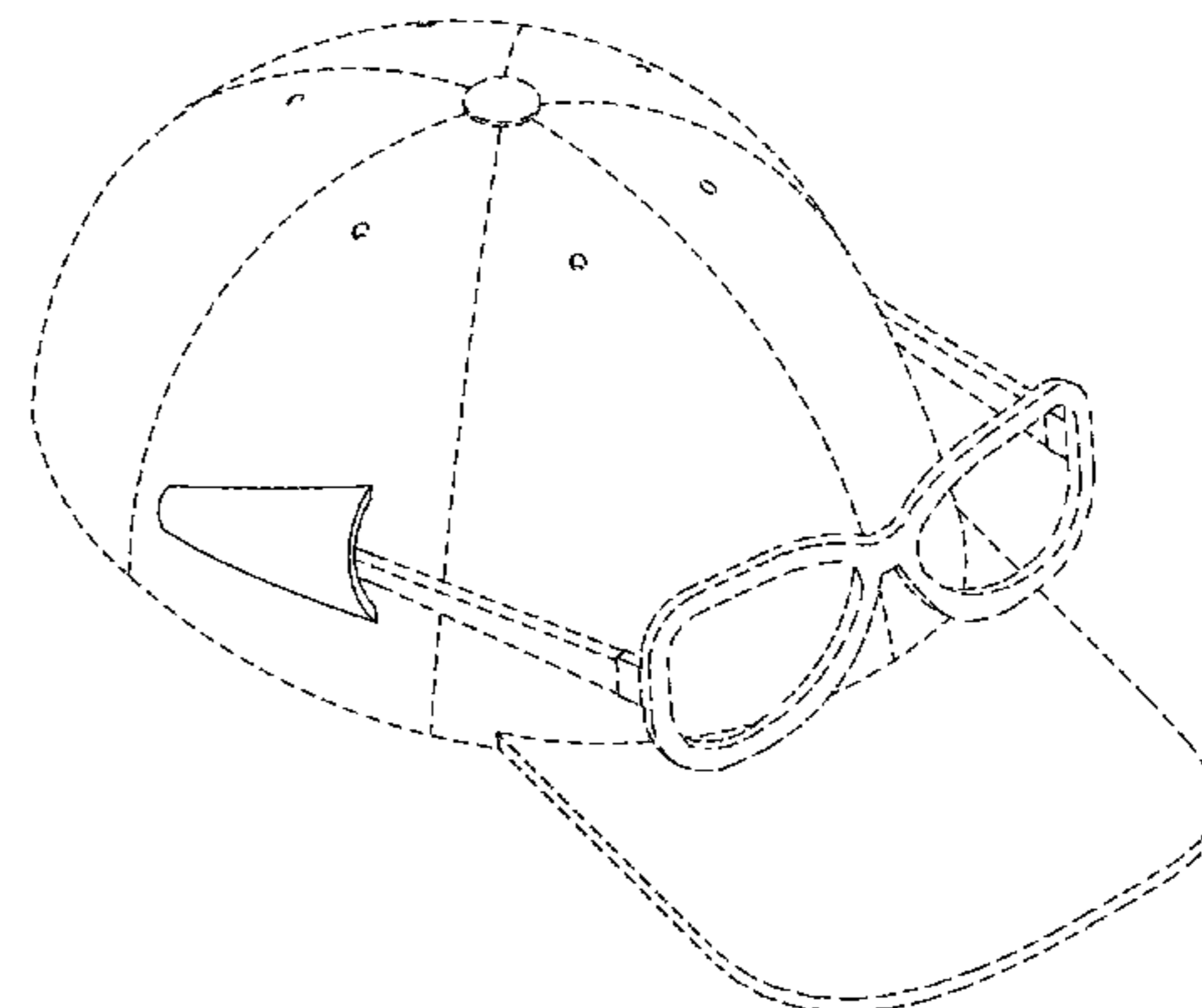
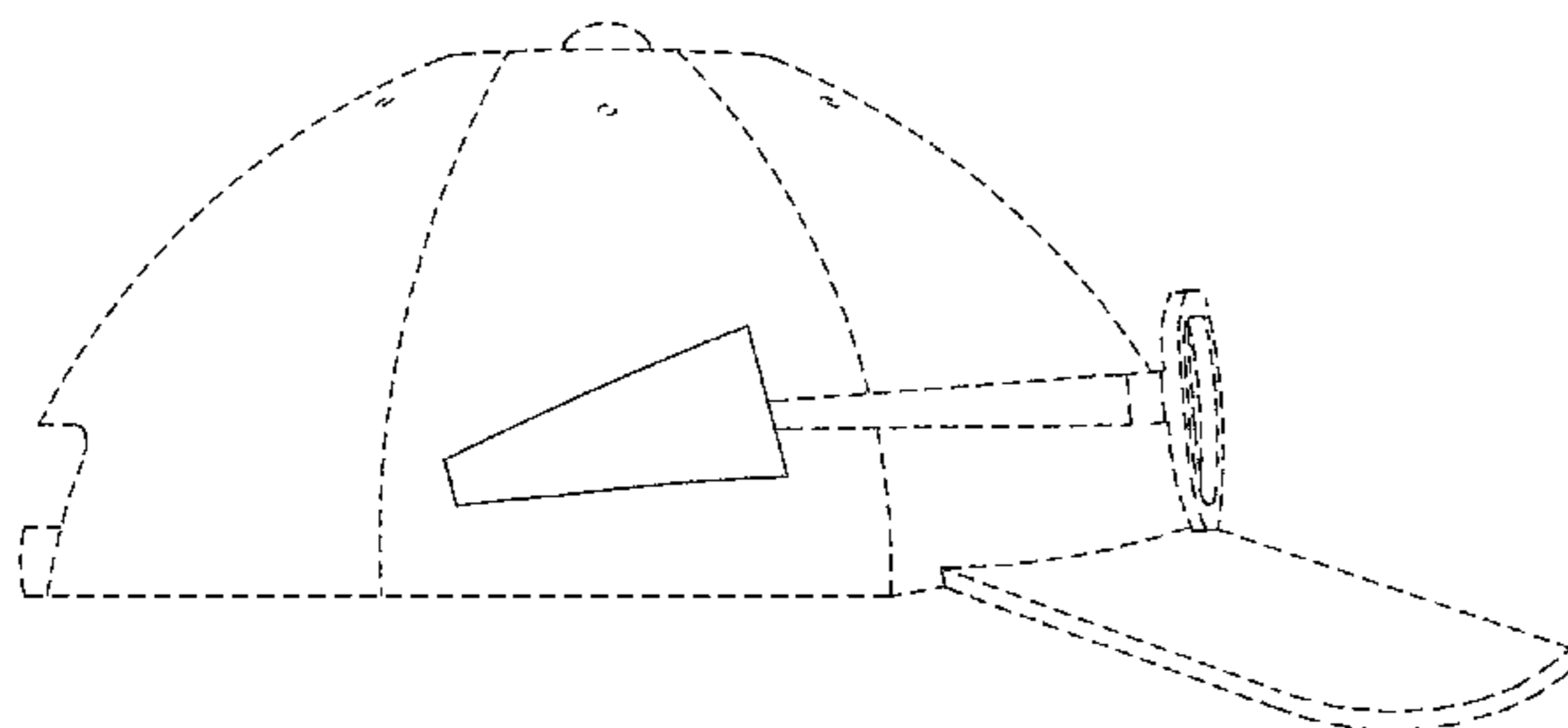
(74) *Attorney, Agent, or Firm* — Smith Tempel; Gregory Scott Smith

(57) **CLAIM**

The ornamental design for a hat with pennant shaped pocket for receiving eyeglasses, as shown and described.

DESCRIPTION

FIG. 1 is a first side elevation view of the ornamental design of the hat with pennant shaped pocket for receiving eye-



glasses with the opposing side being a mirrored image of the first side, a pair of glasses is illustrated as being installed in the pockets;

FIG. 2 is top plan view of the hat with pennant shaped pocket for receiving eyeglasses of FIG. 1;

FIG. 3 is a front elevation view of the hat with pennant shaped pocket for receiving eyeglasses of FIG. 1;

FIG. 4 is perspective view of the hat with pennant shaped pocket for receiving eyeglasses of FIG. 1;

FIG. 5 is a first side elevation view of the hat with pennant shaped pocket for receiving eyeglasses of FIG. 1 with the

opposing side being a mirrored image, the pocket is illustrated without the glasses installed;

FIG. 6 is top plan view of the hat with pennant shaped pocket for receiving eyeglasses of FIG. 5;

FIG. 7 is a front elevation view of the hat with pennant shaped pocket for receiving eyeglasses of FIG. 5; and,

FIG. 8 is perspective view the hat with pennant shaped pocket for receiving eyeglasses of FIG. 5.

The broken lines illustrate environmental structure that forms no part of the claimed design.

1 Claim, 8 Drawing Sheets

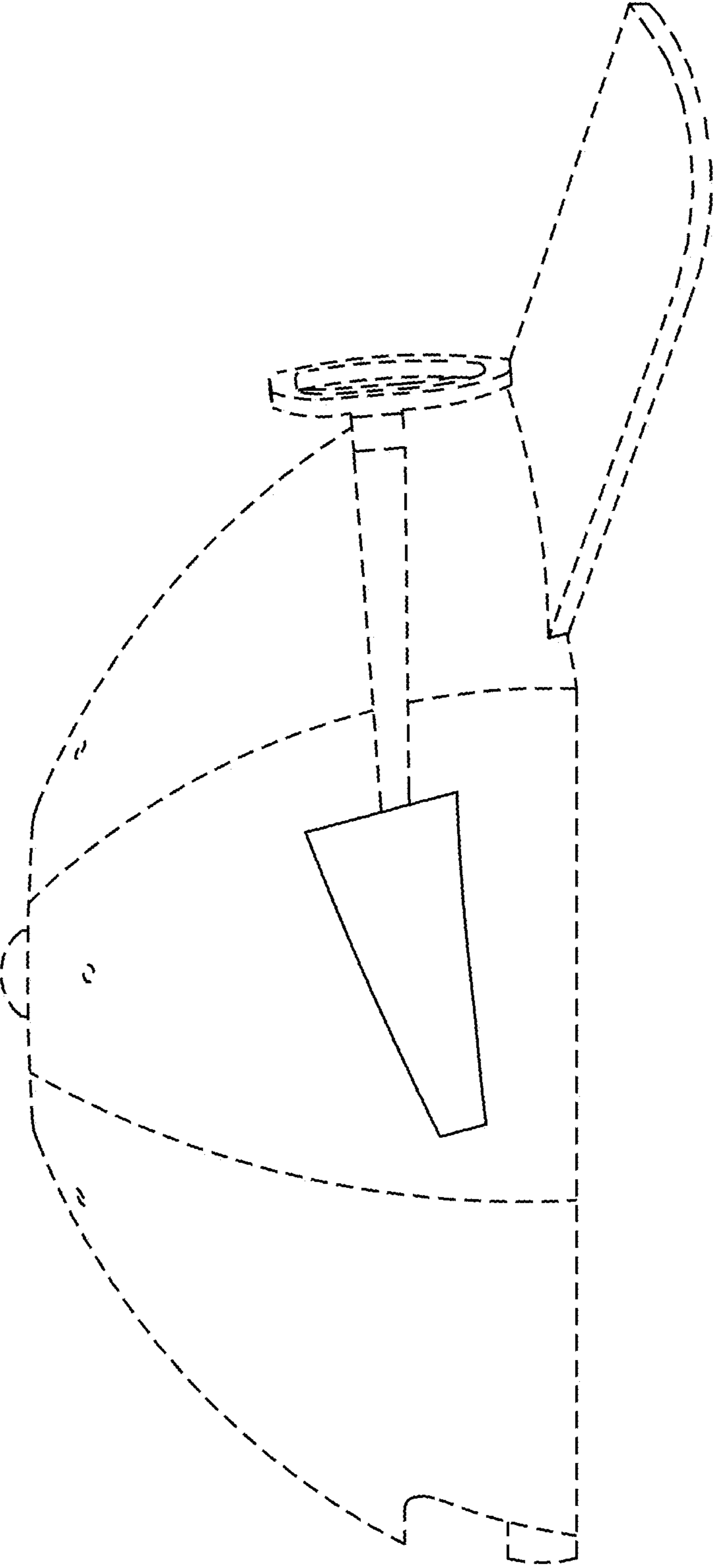


FIG. 1

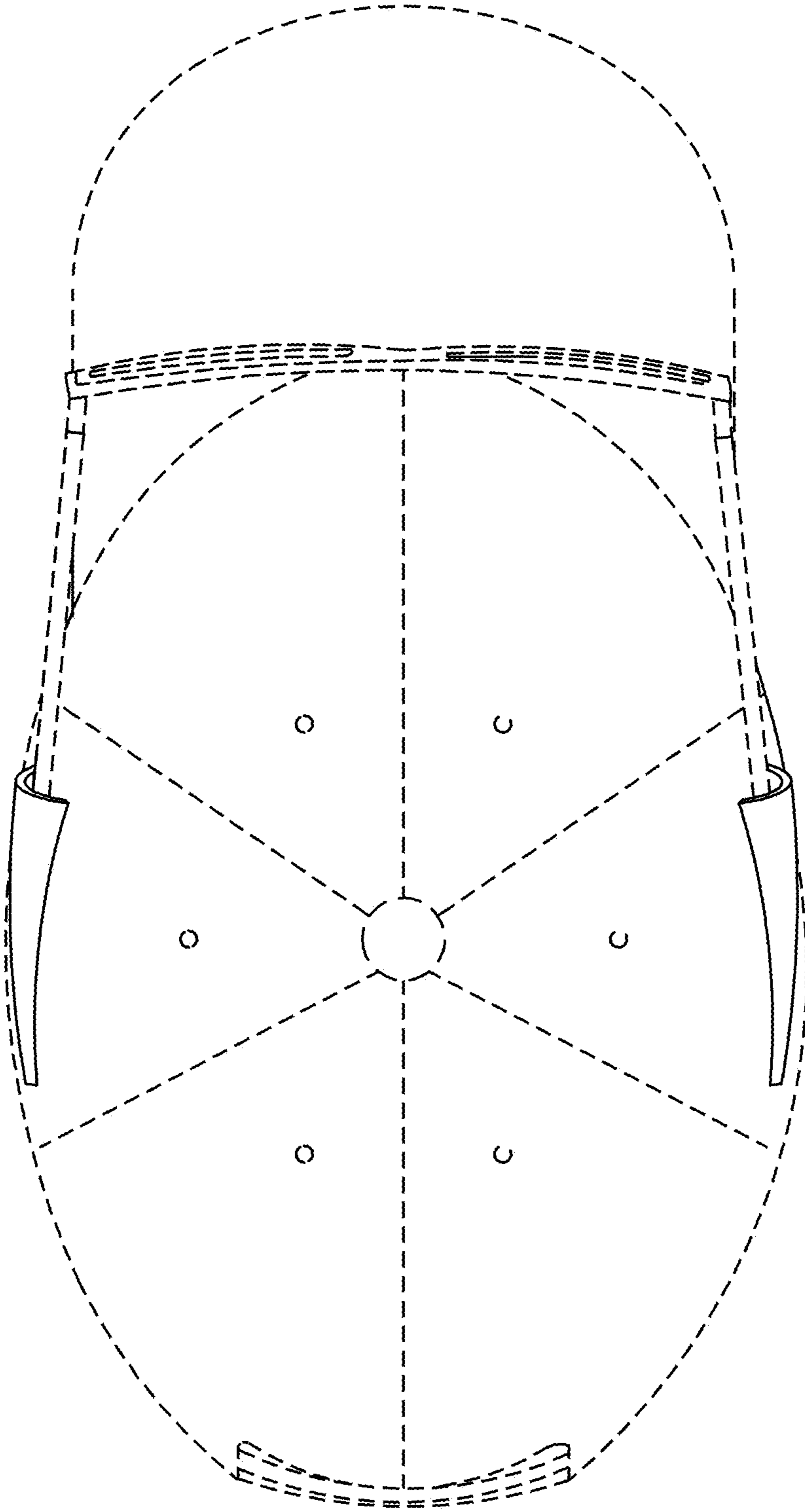


FIG. 2

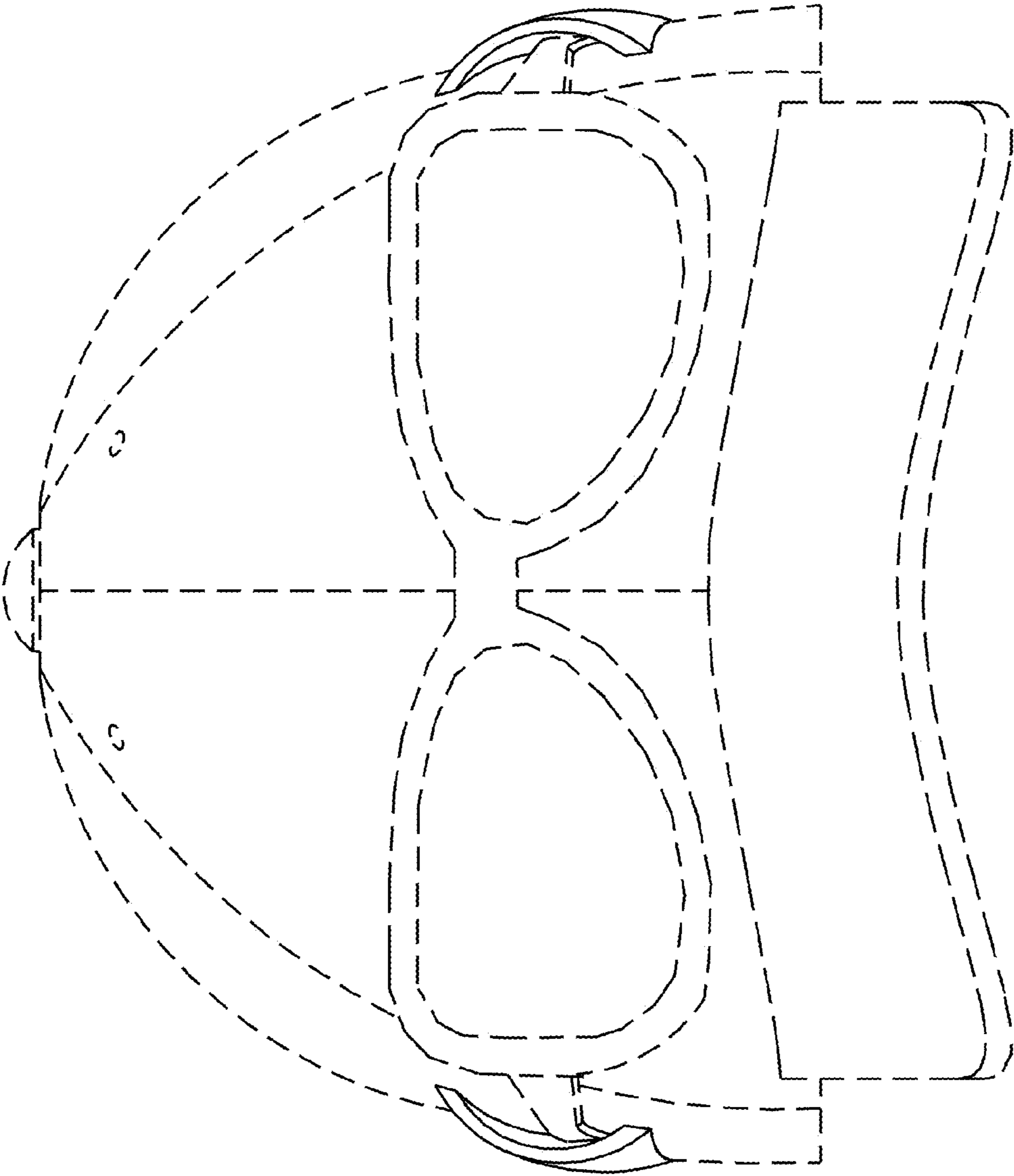


FIG. 3

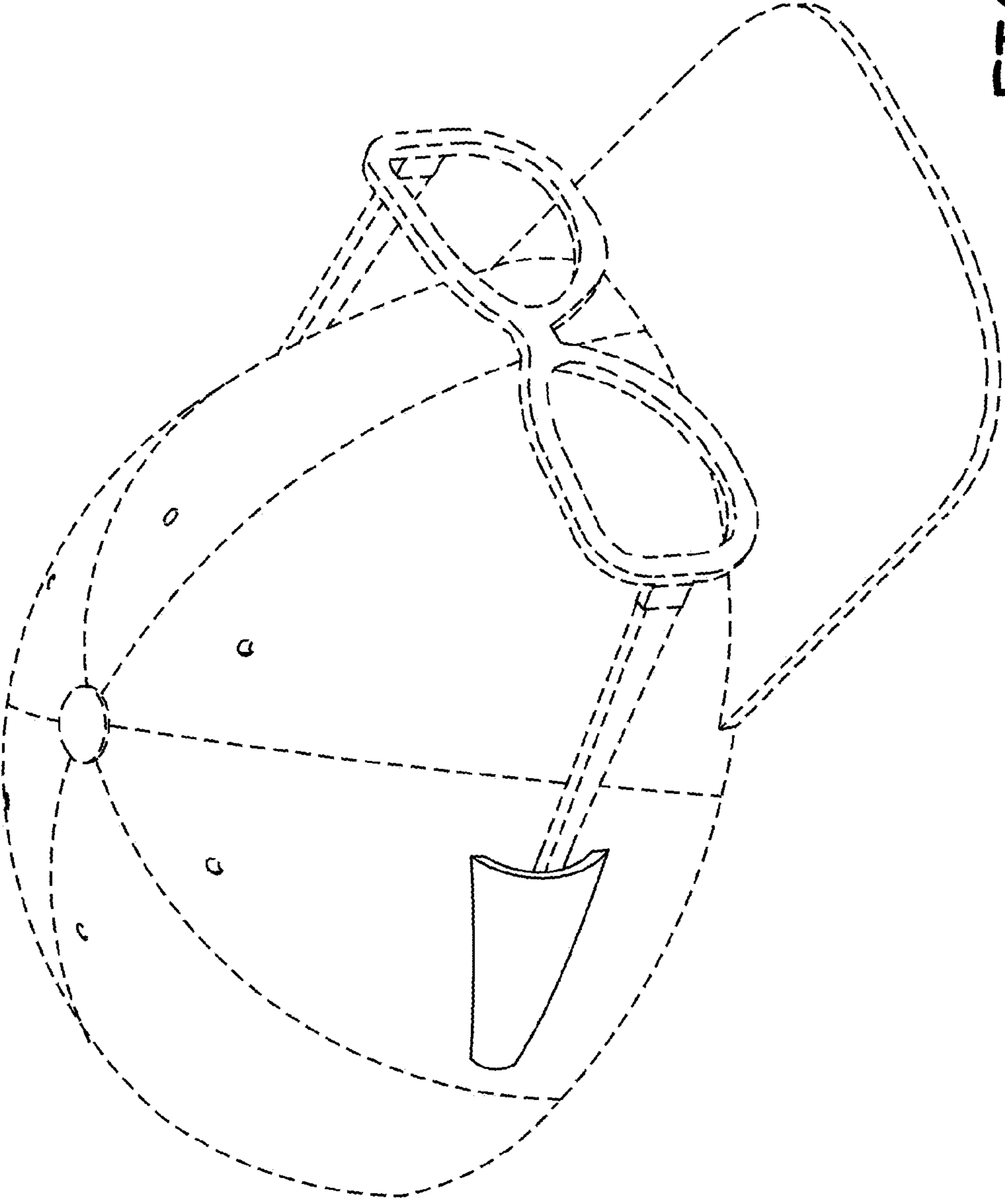


FIG. 4

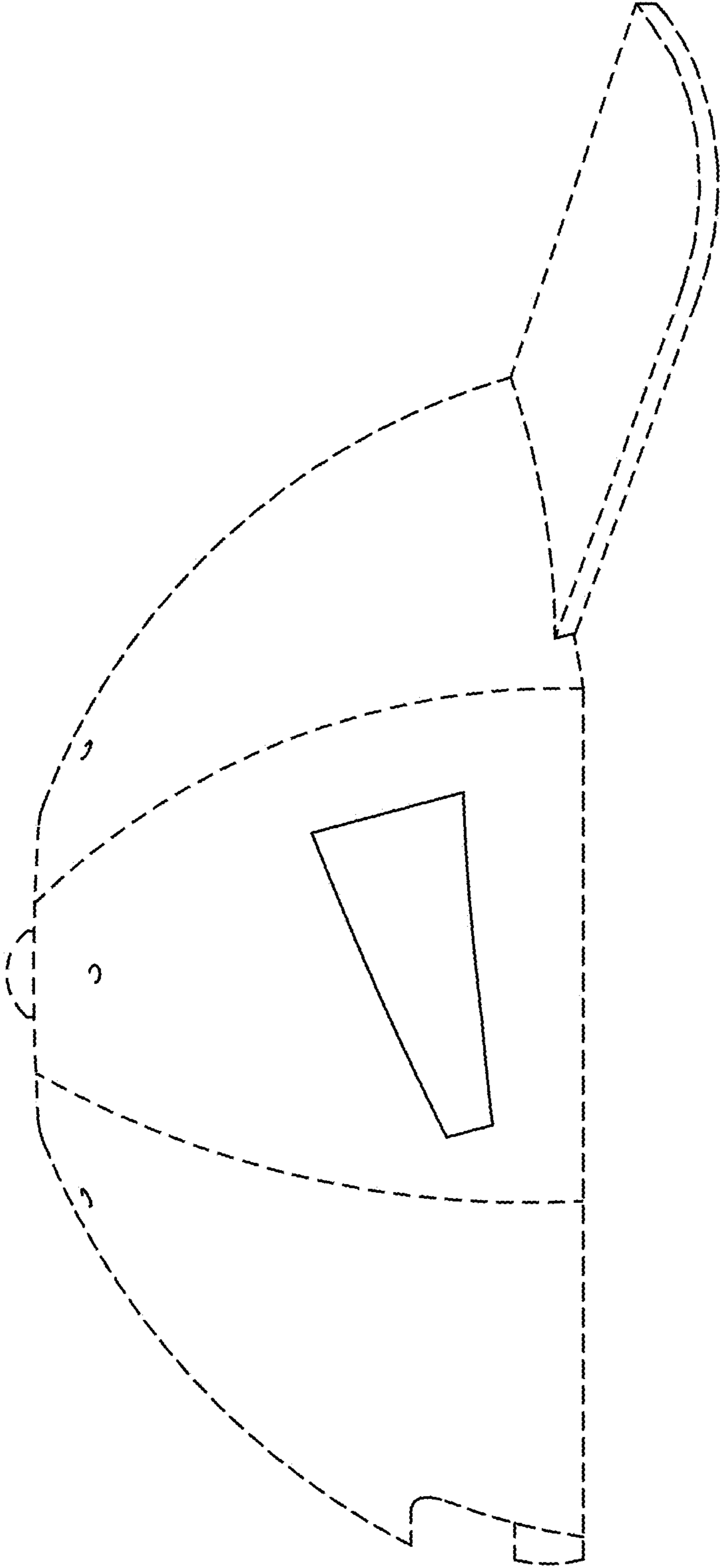


FIG. 5

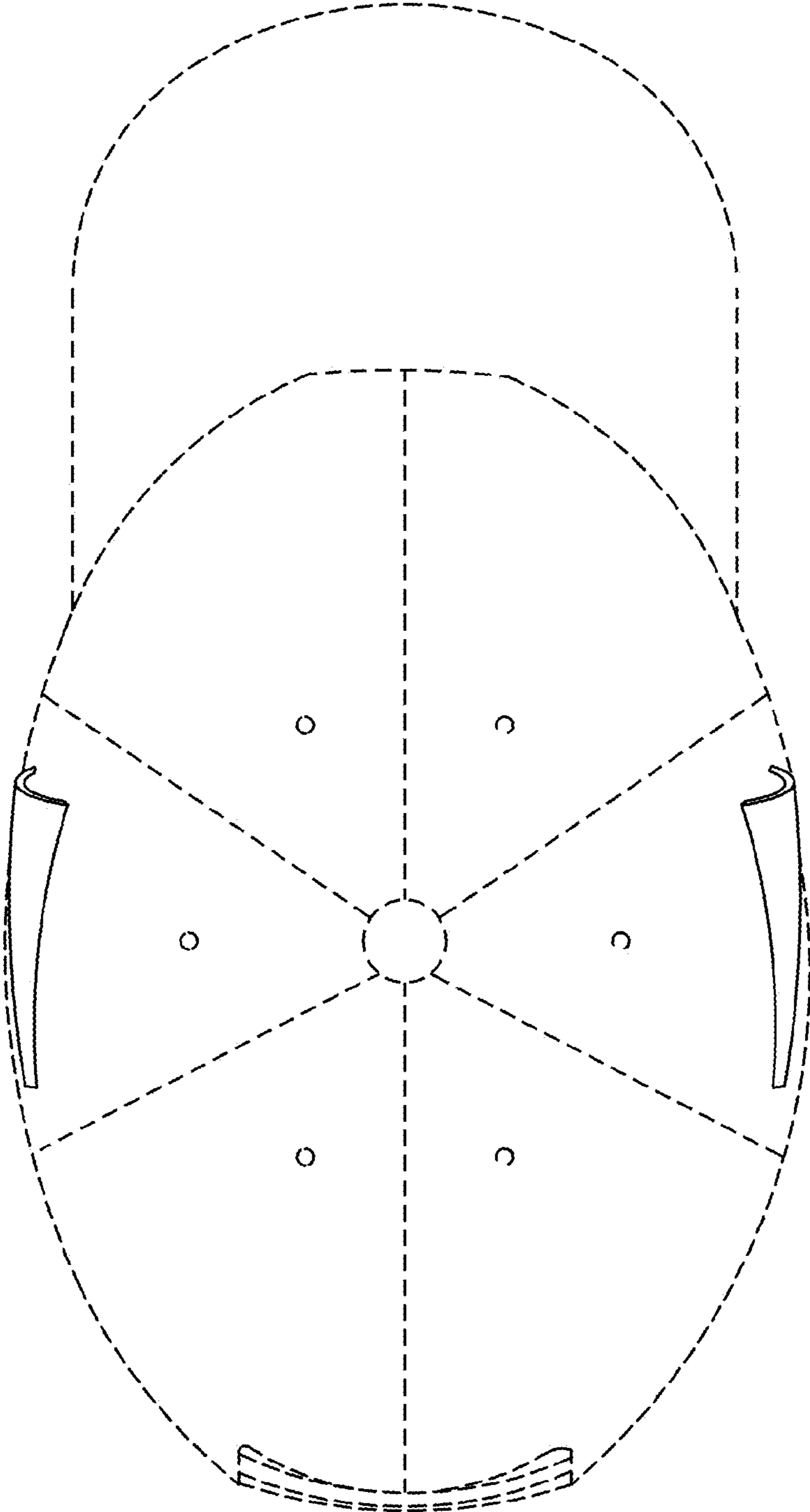


FIG. 6

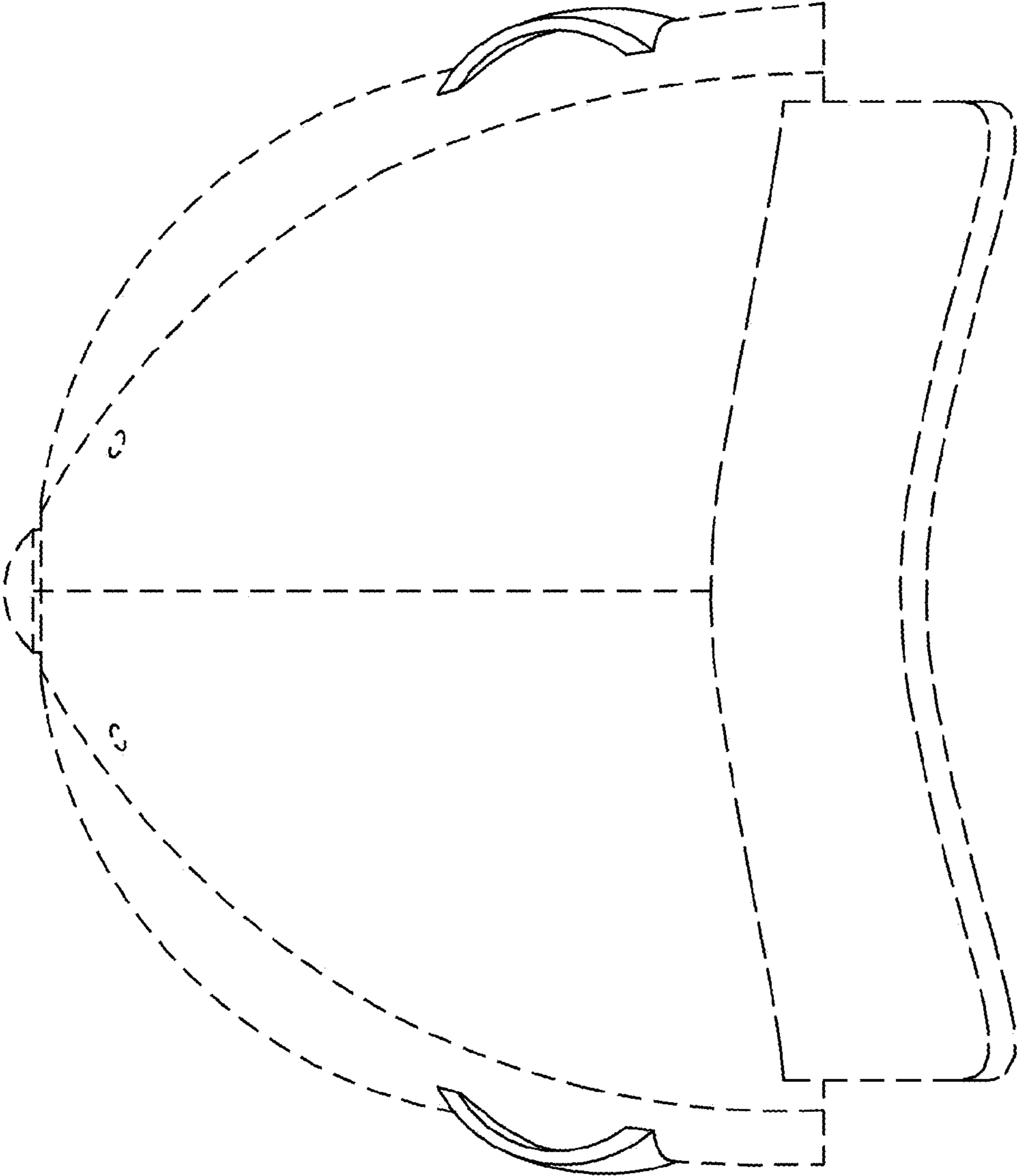


FIG. 7

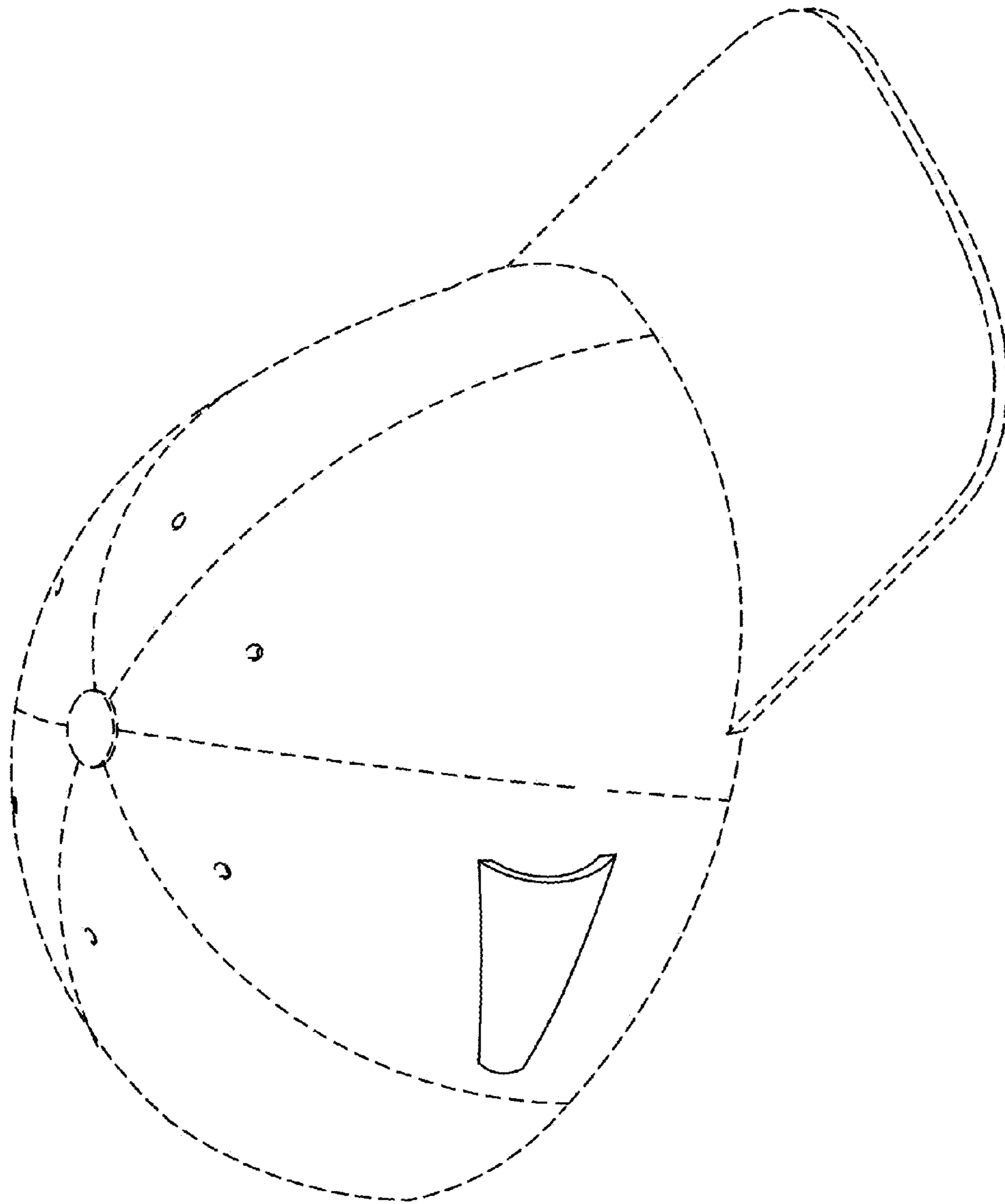


FIG. 8