



US00D759942S

(12) **United States Design Patent**
Martz

(10) **Patent No.:** **US D759,942 S**
(45) **Date of Patent:** **** *Jun. 28, 2016**

- (54) **BRA**
- (71) Applicant: **lululemon athletica canada inc.,**
Vancouver (CA)
- (72) Inventor: **Natalie Anne Martz,** Vancouver (CA)
- (73) Assignee: **lululemon athletica canada inc.,**
Vancouver (CA)
- (*) Notice: This patent is subject to a terminal disclaimer.
- (**) Term: **14 Years**
- (21) Appl. No.: **29/493,984**
- (22) Filed: **Jun. 16, 2014**

Related U.S. Application Data

- (63) Continuation of application No. 29/417,022, filed on Mar. 29, 2012, now Pat. No. Des. 709,668.
- (51) **LOC (10) Cl.** **02-01**
- (52) **U.S. Cl.**
USPC **D2/708**
- (58) **Field of Classification Search**
USPC D2/701, 702, 703, 704, 705, 706, 707, D2/708, 709, 710, 731, 736, 737, 793, 829, D2/841; 2/67, 69, 104, 109, 110; 450/1, 2, 450/3, 28, 30, 34, 86, 92
CPC A41C 3/00; A41C 3/0014; A41C 3/0057
See application file for complete search history.

(56) **References Cited**

U.S. PATENT DOCUMENTS

D259,370 S * 6/1981 Schreiber et al. D2/708
 7,442,110 B2 * 10/2008 Gaudet et al. 450/39
 D635,329 S 4/2011 Wahl et al.

8,128,457 B2 * 3/2012 Reinisch et al. 450/59
 8,182,310 B2 * 5/2012 Clair et al. 450/30
 D671,296 S * 11/2012 Iamartino D2/708
 D671,297 S * 11/2012 Iamartino D2/708
 8,465,341 B2 * 6/2013 Shashy 450/39
 8,550,872 B2 * 10/2013 Upton et al. 450/66
 D708,821 S * 7/2014 Iamartino D2/708
 D709,668 S * 7/2014 Martz D2/708
 2008/0194179 A1 * 8/2008 Leung 450/31
 2009/0270013 A1 10/2009 Clair et al.
 2013/0203319 A1 * 8/2013 Torres et al. 450/59
 2014/0031775 A1 1/2014 Criss
 2015/0079876 A1 * 3/2015 Betts 450/78

OTHER PUBLICATIONS

“Angel Blue Energy Bra,” blog posted on-line on Jul. 30, 2012. Retrieved from the internet on Apr. 17, 2015. URL: <http://lulumum.blogspot.com/2012/07/angel-blue-energy-bra.html>. (1 page).*

* cited by examiner

Primary Examiner — Karen E. Eldridge Powers

Assistant Examiner — Jasmine Mlinarcik

(74) *Attorney, Agent, or Firm* — McCarthy Tétrault LLP

(57) **CLAIM**

The ornamental design for a bra, as shown and described.

DESCRIPTION

FIG. 1 is a front elevation view of a bra according to the design;

FIG. 2 is a rear elevation view thereof;

FIG. 3 is a right side elevation view thereof;

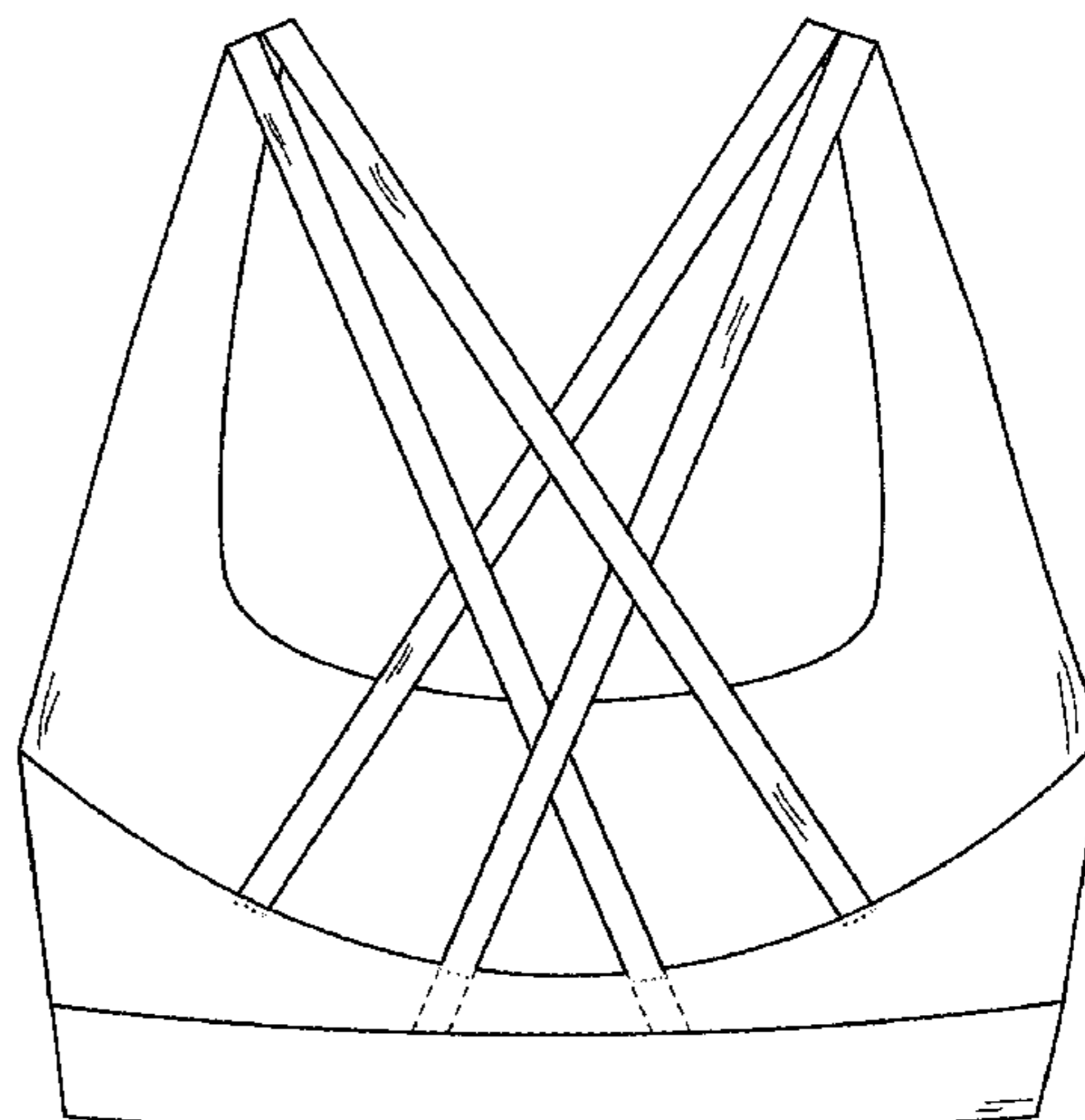
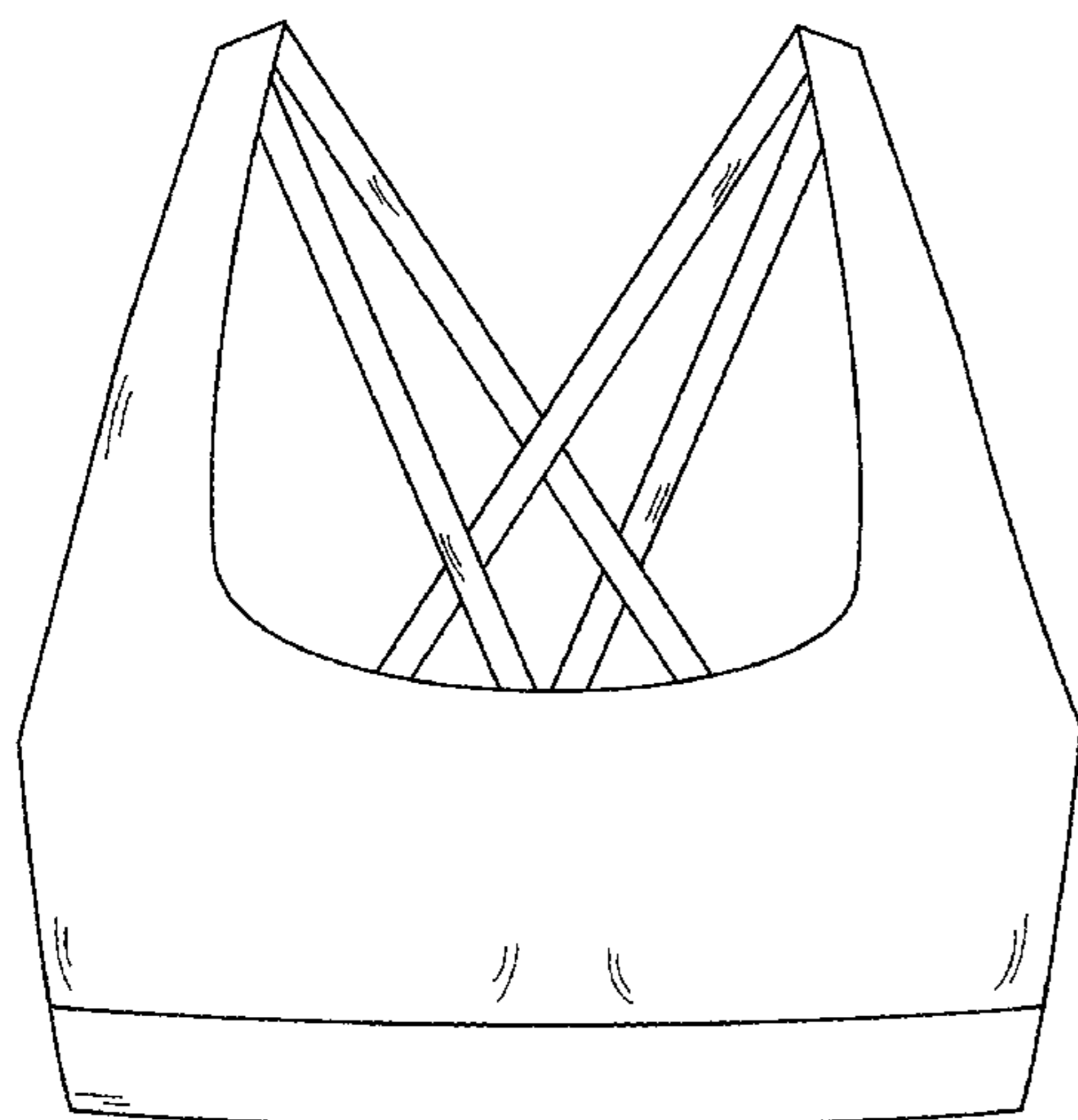
FIG. 4 is a left side elevation view thereof;

FIG. 5 is a top plan view thereof; and,

FIG. 6 is a front perspective view thereof.

The portions of the straps shown in broken lines in FIG. 2 are features of the article of manufacture that form no part of the claimed design.

1 Claim, 6 Drawing Sheets



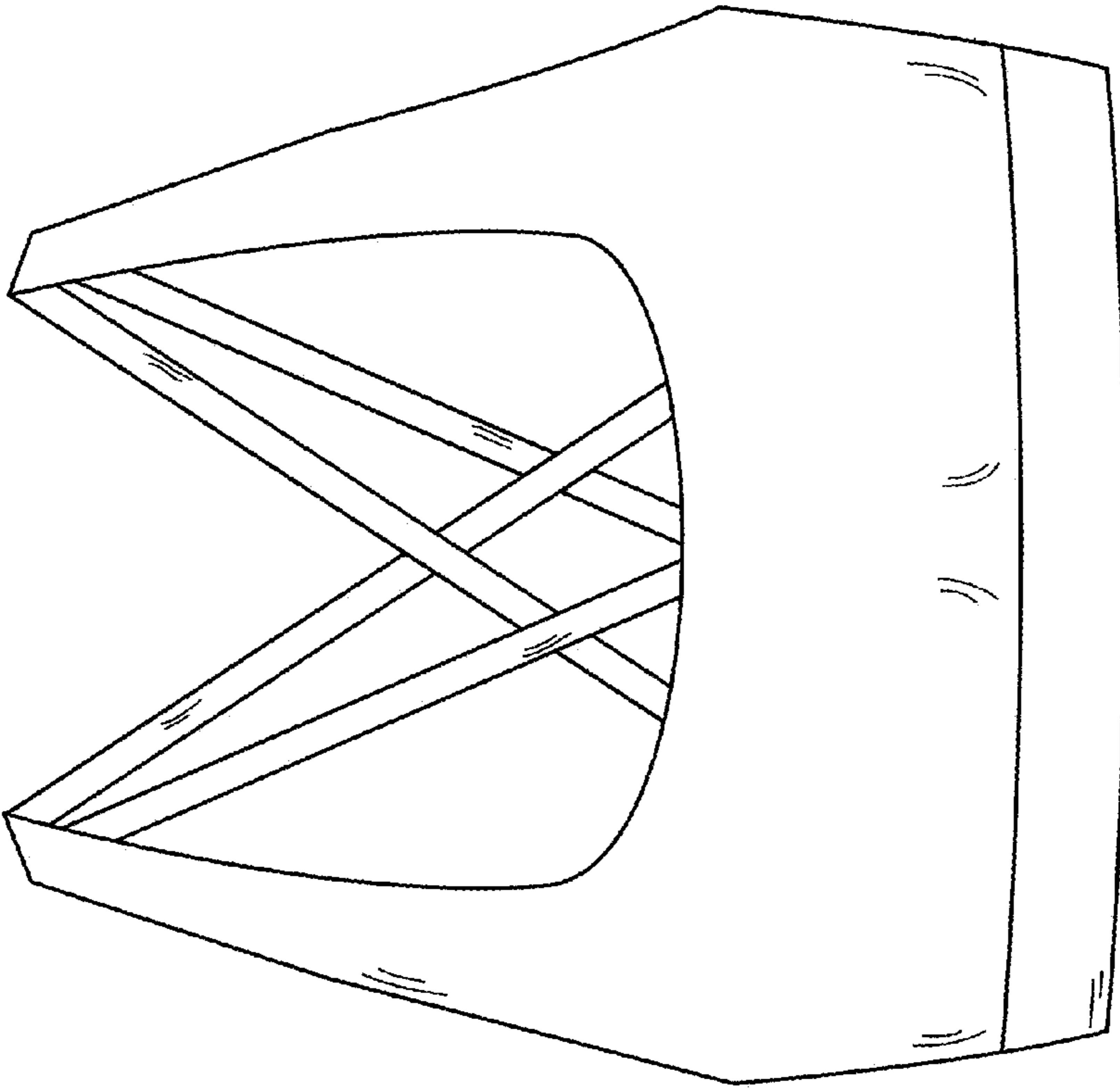


FIG. 1

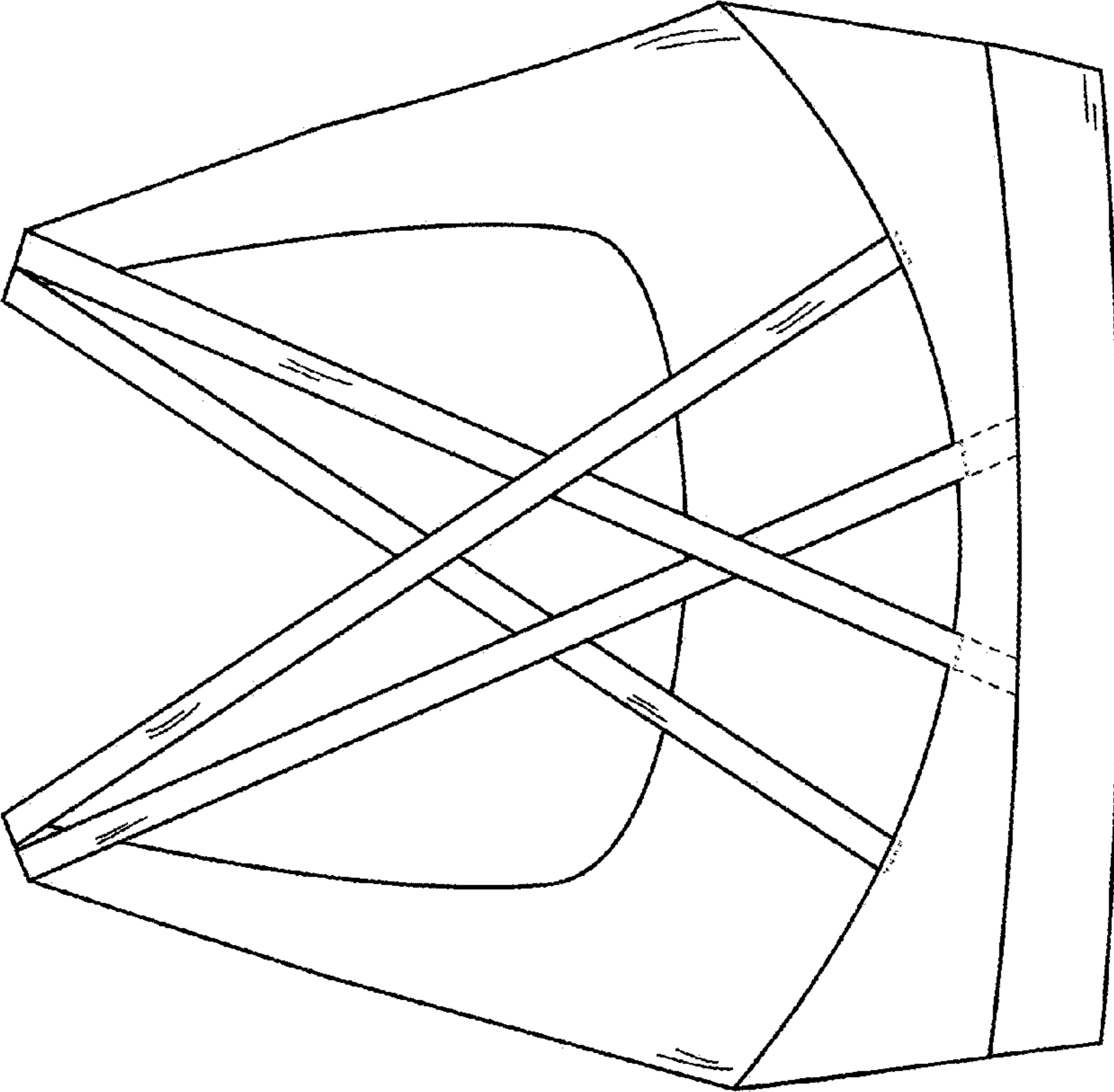


FIG. 2

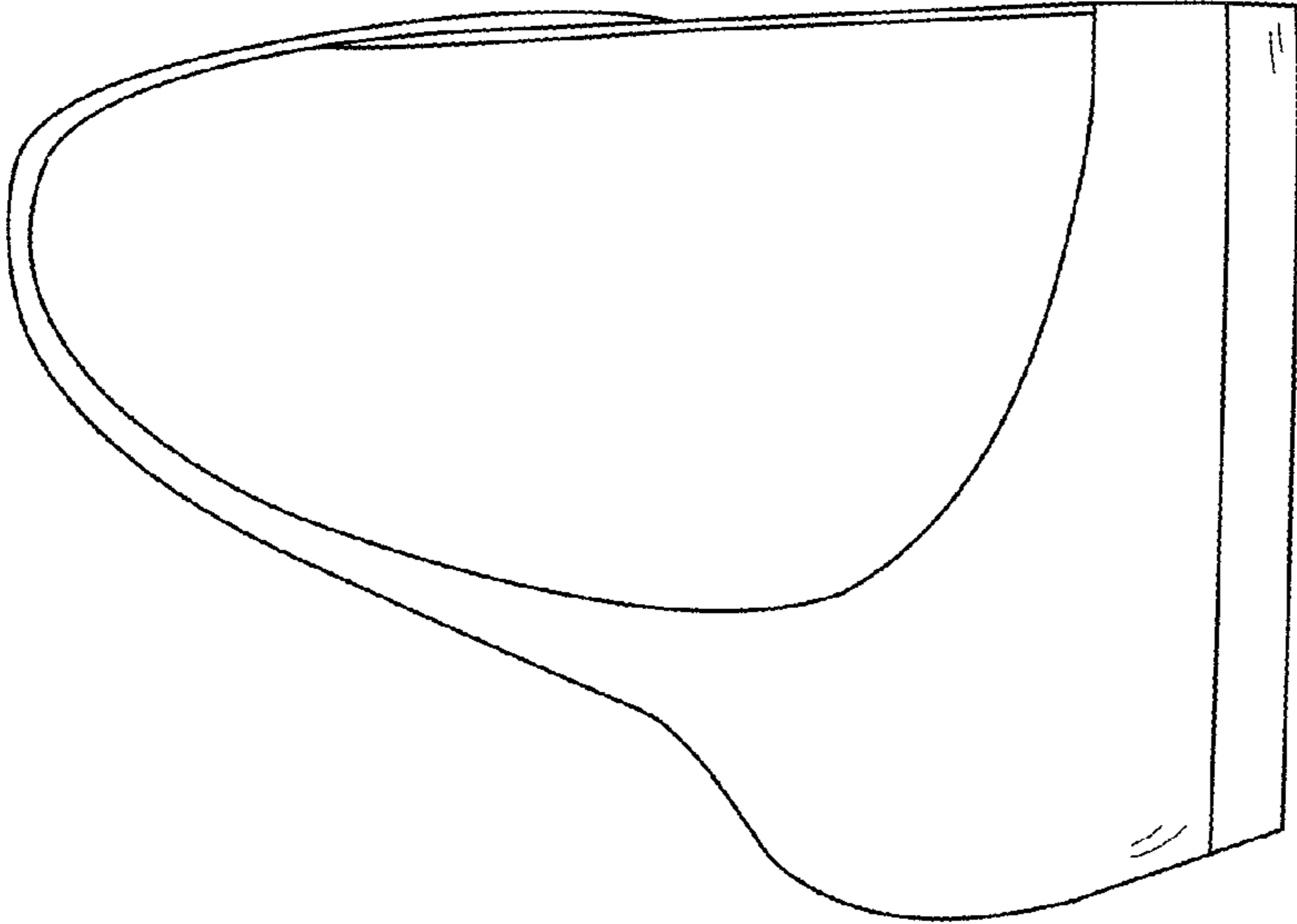


FIG. 3

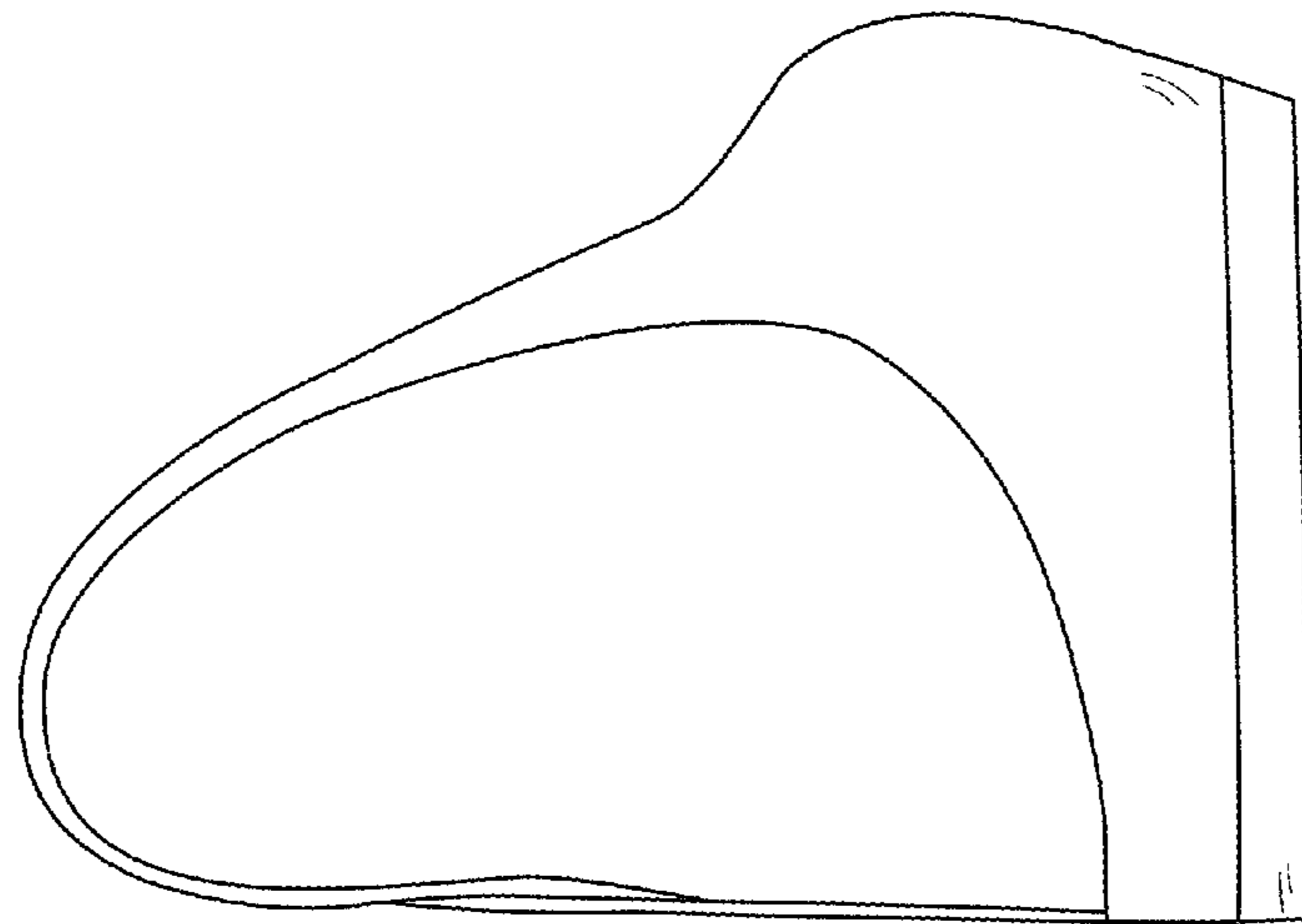


FIG. 4

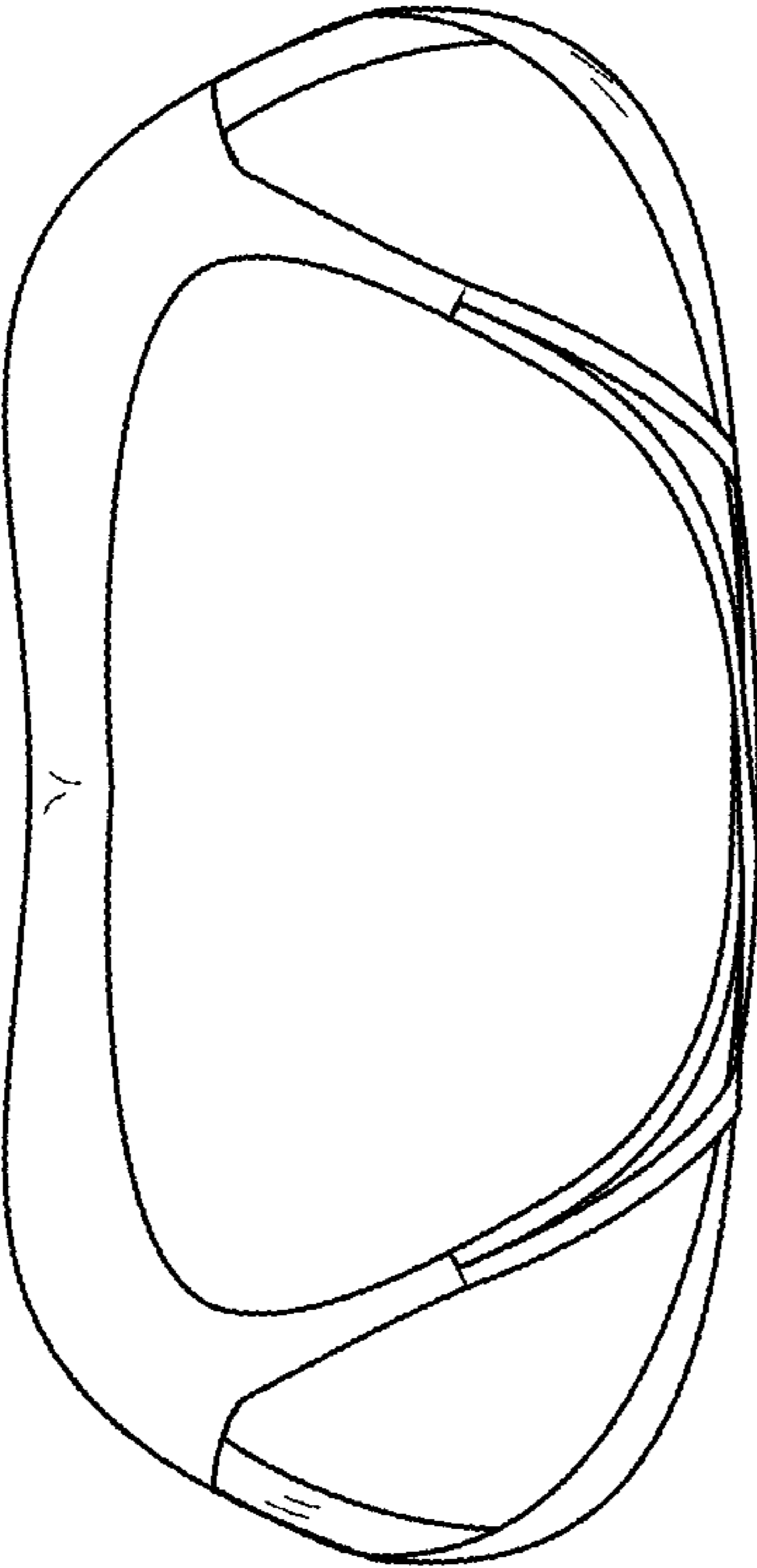


FIG. 5

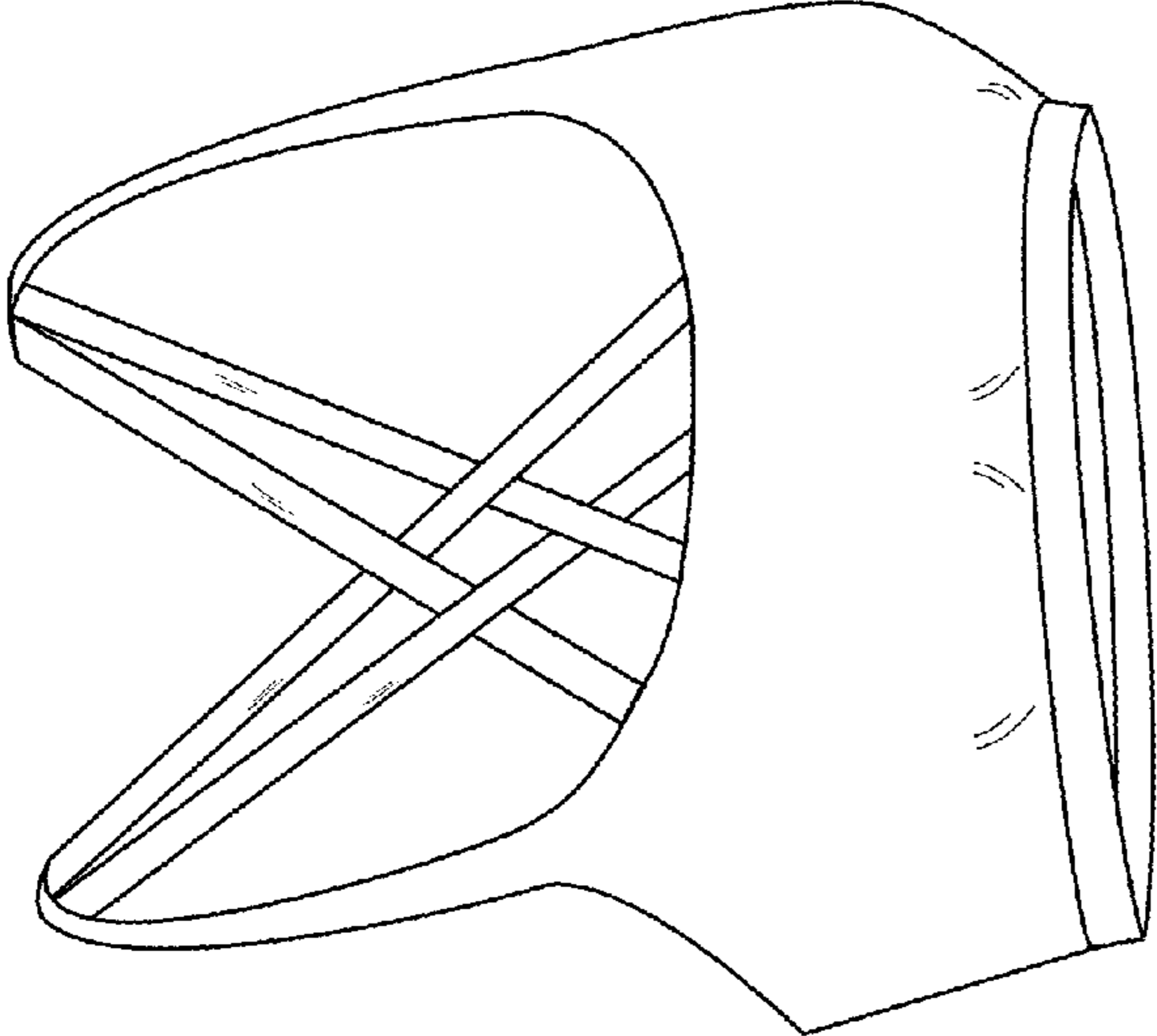


FIG. 6