



US00D759939S

(12) **United States Design Patent**  
**Gillen**

(10) **Patent No.:** **US D759,939 S**  
(45) **Date of Patent:** **\*\* Jun. 21, 2016**

(54) **GRAVE MARKER WITH FLAGS AND SOLAR POWERED LIGHT**

(71) Applicant: **John H Gillen**, Ottawa Lake, MI (US)

(72) Inventor: **John H Gillen**, Ottawa Lake, MI (US)

(\*\*) Term: **14 Years**

(21) Appl. No.: **29/520,443**

(22) Filed: **Mar. 13, 2015**

(51) **LOC (10) Cl.** ..... **99-00**

(52) **U.S. Cl.**  
USPC ..... **D99/17**

(58) **Field of Classification Search**  
USPC ..... D99/17, 18; 27/1; D11/143, 132, 141,  
D11/144, 124, 182; 362/183, 122, 157;  
40/565, 607.05, 607.06, 607.18, 124.5;  
D8/378, 349; 52/103; 211/85.27;  
D26/67, 68; D13/154; D25/126  
CPC ..... F21S 8/00; F21V 21/00; F21V 33/00;  
F21L 4/02; F21L 4/027  
See application file for complete search history.

(56) **References Cited**

U.S. PATENT DOCUMENTS

- 492,520 A \* 2/1893 Hedges ..... E02D 5/80  
248/156
- 661,830 A \* 11/1900 Webster ..... E04H 13/003  
220/475
- D51,177 S \* 8/1917 Horton ..... D10/111
- D62,050 S \* 3/1923 Weir ..... D99/18
- D75,474 S \* 6/1928 Camelo ..... D99/18
- 1,782,070 A \* 11/1930 Lazarus ..... A63H 33/40  
248/512
- 2,148,660 A \* 2/1939 Sweeney ..... E04H 13/00  
40/124.5
- 2,280,817 A \* 4/1942 Freeman ..... G09F 13/26  
116/173
- 2,350,316 A \* 5/1944 Meyer ..... G09F 13/14  
40/581
- D157,366 S \* 2/1950 Gerth ..... 47/47
- D189,209 S \* 11/1960 Harling ..... D26/67
- 3,048,833 A \* 8/1962 Bernheim ..... H01J 40/14  
250/206

- D199,267 S \* 9/1964 Harling et al. .... D26/67
- 3,182,936 A \* 5/1965 Murdock ..... E04H 12/32  
248/530
- 3,194,952 A \* 7/1965 Wells ..... F21C 8/088  
181/141
- 3,263,069 A \* 7/1966 Krucki ..... F21S 8/033  
362/431
- 3,363,092 A \* 1/1968 Clark ..... F21S 8/088  
362/223
- 3,421,473 A \* 1/1969 Weichenrieder ..... E01F 9/019  
116/173
- 3,519,234 A \* 7/1970 Matson ..... E01F 9/0117  
144/195.5
- 3,593,014 A \* 7/1971 Vesely ..... F21V 11/02  
362/263
- 3,833,804 A \* 9/1974 Vesely ..... F21S 8/088  
362/267
- 3,977,110 A \* 8/1976 Yerger ..... G06F 17/00  
116/173
- 4,233,769 A \* 11/1980 Archer ..... G09F 7/20  
248/530
- 4,474,648 A \* 10/1984 Tantram ..... G01N 27/4045  
204/415
- 4,626,974 A \* 12/1986 Dean ..... F21V 21/116  
248/219.2
- 4,662,305 A \* 5/1987 Cline ..... G09F 7/20  
116/173
- D296,369 S \* 6/1988 Harvey ..... D26/67
- 4,841,416 A \* 6/1989 Doss ..... F21S 8/088  
136/291
- 5,155,668 A \* 10/1992 Tanner ..... F21S 9/037  
136/291

(Continued)

*Primary Examiner* — Paula Greene

(57) **CLAIM**

I claim the ornamental design for a grave marker with flags and solar powered light, as shown and described.

**DESCRIPTION**

Cross Reference to Related Application U.S. Pat. Nos. D. 6,729,742.

FIG. 1 is a front elevational view of a grave marker with flags and solar powered light showing my new design;

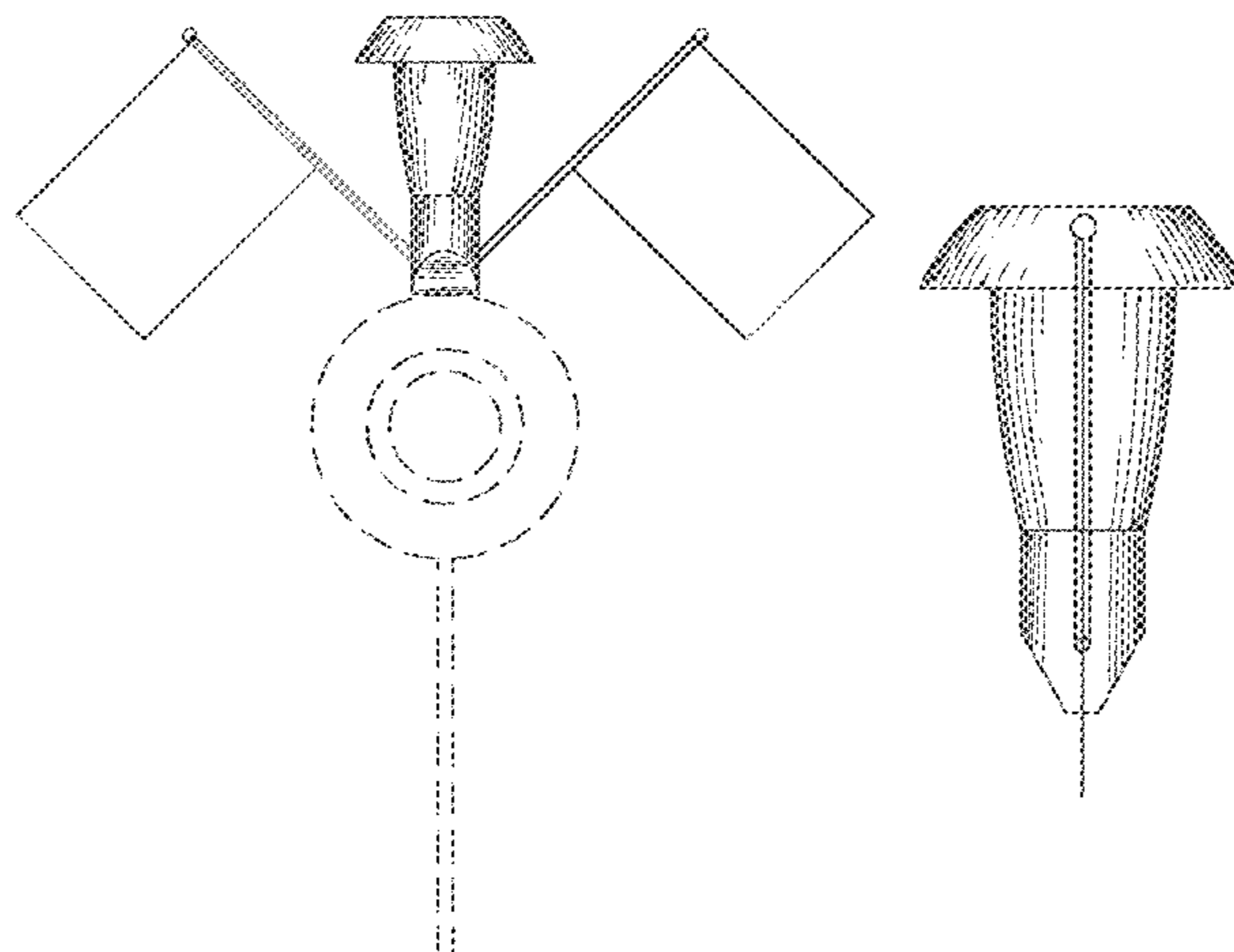
FIG. 2 is a Right Side Elevation View thereof; the left side is a mirror image;

FIG. 3 is a Top Plan View thereof; and,

FIG. 4 is a Bottom Plan View thereof.

The broken lines form no part of the claimed design.

**1 Claim, 3 Drawing Sheets**



(56)

**References Cited**

U.S. PATENT DOCUMENTS

5,450,811 A *	9/1995	Heiland .....	B60Q 7/00 116/173	D574,537 S *	8/2008	Sanoner .....	D26/67
5,454,178 A *	10/1995	Rivard .....	G09F 7/18 248/535	D611,180 S *	3/2010	Swiger .....	D26/67
D452,028 S *	12/2001	Lee .....	D26/67	D616,131 S *	5/2010	Chen .....	D26/67
6,406,163 B1 *	6/2002	Yang .....	F21S 9/037 362/183	D634,505 S *	3/2011	Leviner .....	D8/1
D476,131 S *	6/2003	Barnes .....	D99/18	8,454,215 B2 *	6/2013	Bollmann .....	G09F 13/16 362/183
D497,021 S *	10/2004	Pu .....	D26/67	8,585,231 B1 *	11/2013	May .....	F21S 9/037 362/1
D499,831 S *	12/2004	Chen .....	D26/67	2002/0035959 A1 *	3/2002	Bukky .....	G09F 3/12 116/209
D500,381 S *	12/2004	Chen .....	D26/67	2006/0146524 A1 *	7/2006	Izardel .....	F21S 9/037 362/183
D503,842 S *	4/2005	Barnes .....	D99/18	2010/0012606 A1 *	1/2010	Bourgo .....	A61G 17/08 211/85.27
D516,951 S *	3/2006	Venick .....	D11/182				
D530,034 S *	10/2006	Hon .....	D26/67				
7,311,414 B2 *	12/2007	Norton .....	A41G 1/005 362/122				

\* cited by examiner

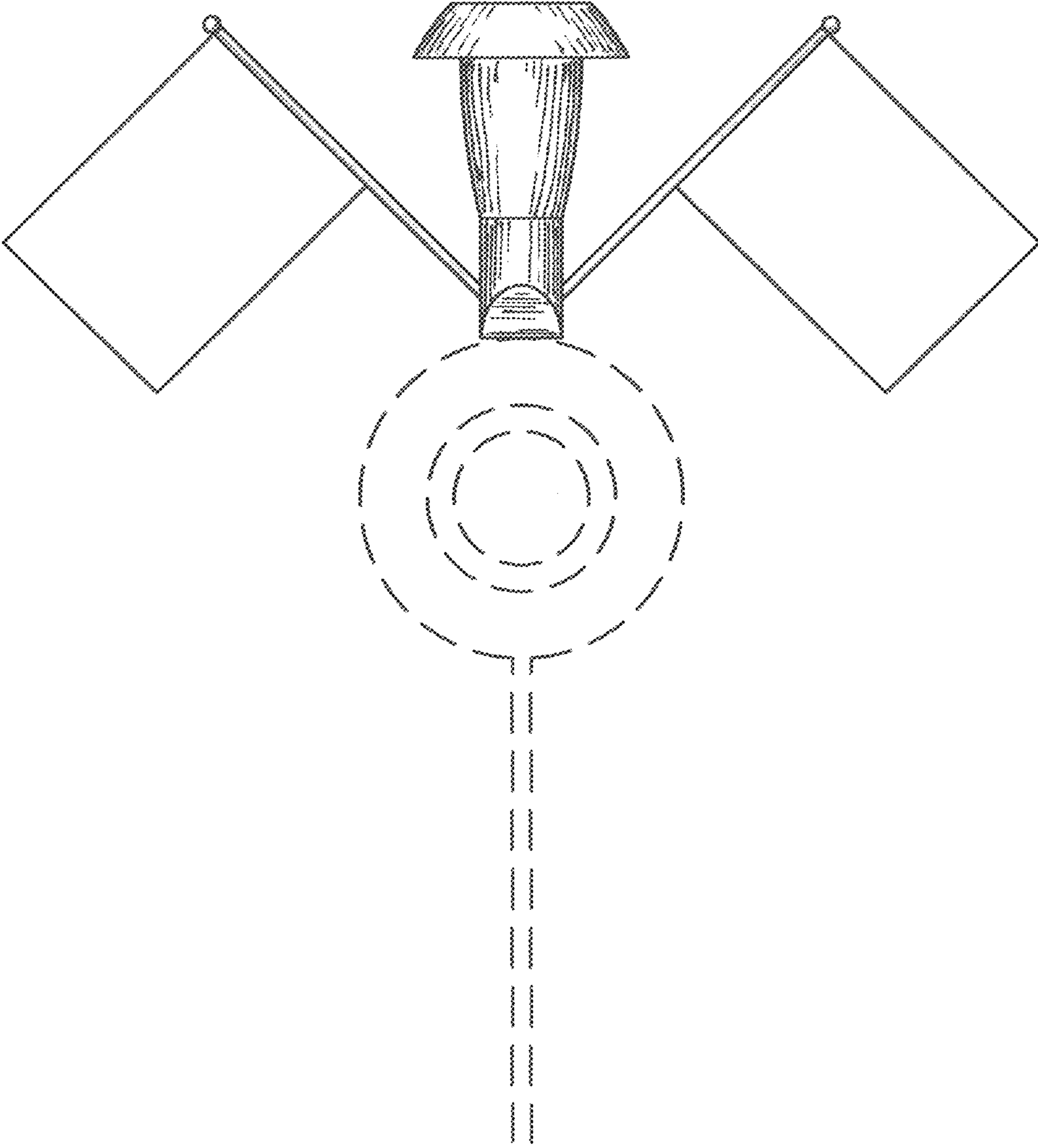


FIG. 1

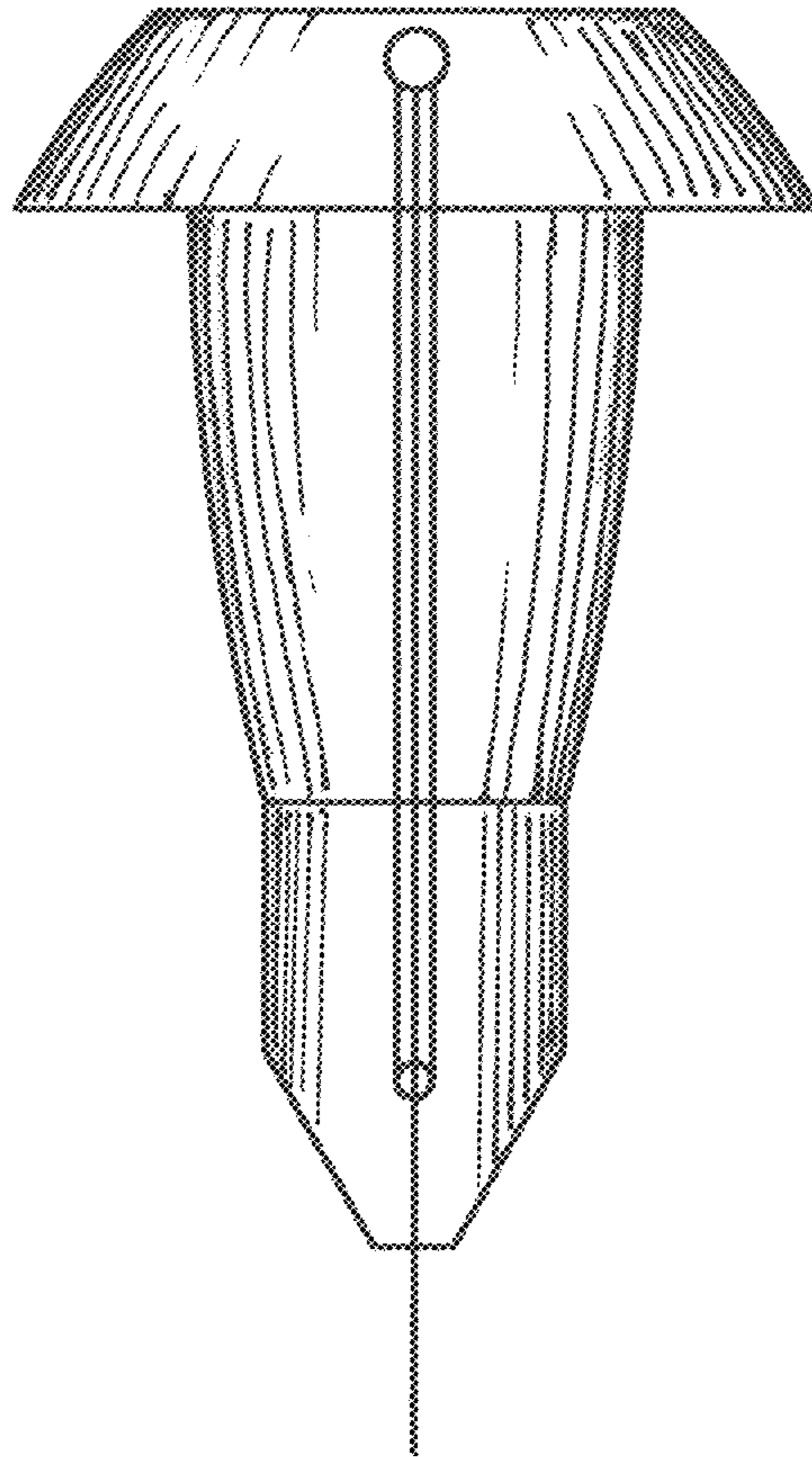


FIG. 2

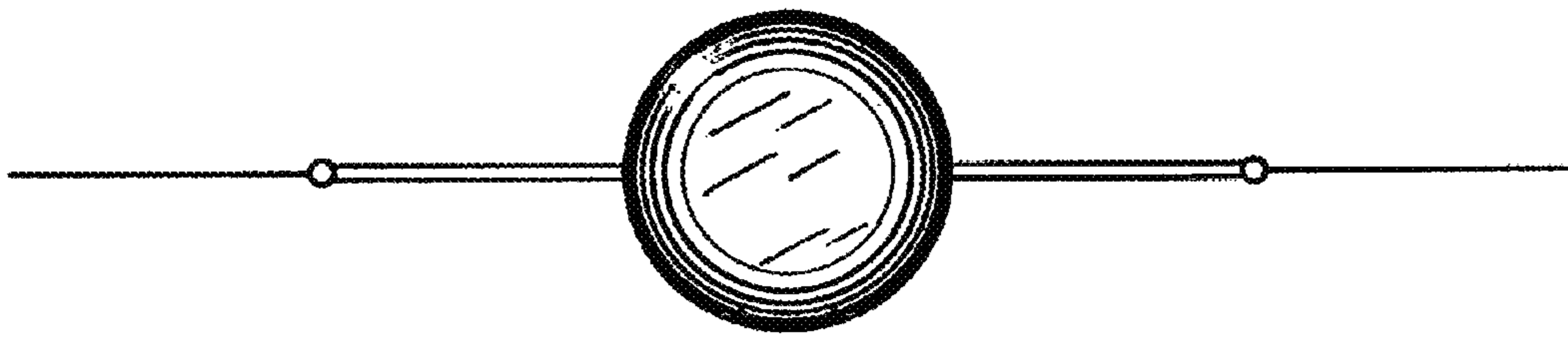


FIG. 3

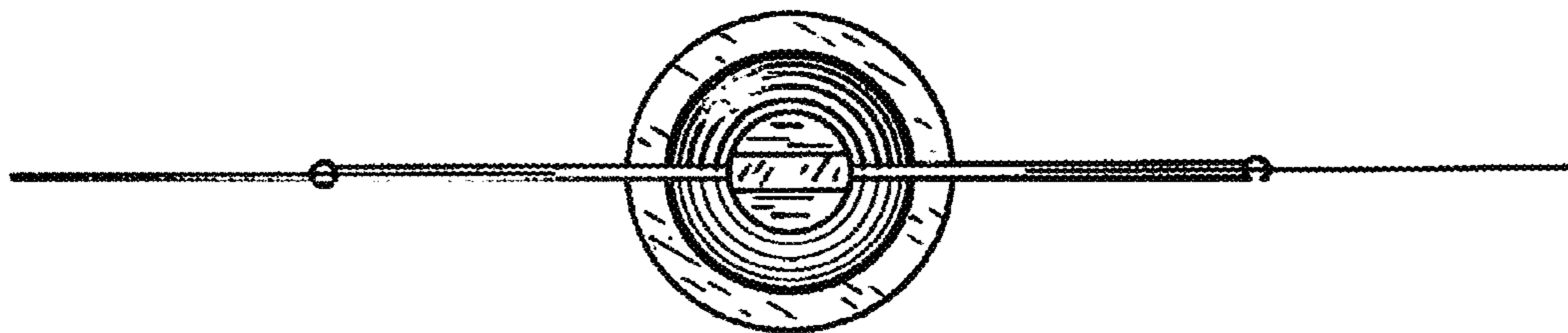


FIG. 4