



US00D759938S

(12) **United States Design Patent**
Gillen

(10) **Patent No.:** **US D759,938 S**
(45) **Date of Patent:** **** Jun. 21, 2016**

(54) **GRAVE MARKER WITH FLAGS AND SOLAR POWERED LIGHT**

(71) Applicant: **John H Gillen**, Ottawa Lake, MI (US)

(72) Inventor: **John H Gillen**, Ottawa Lake, MI (US)

(**) Term: **14 Years**

(21) Appl. No.: **29/520,437**

(22) Filed: **Mar. 13, 2015**

(51) **LOC (10) Cl.** **99-00**

(52) **U.S. Cl.**
USPC **D99/17**

(58) **Field of Classification Search**
USPC D99/17, 18; 27/1; D11/143, 132, 141, D11/144, 124, 182; 362/183, 122, 157; 40/565, 607.05, 607.06, 607.18, 124.5; D8/378, 349; 52/103; 211/85.27; D26/67, 68; D13/154; D25/126
CPC F21S 8/00; F21V 21/00; F21L 4/02; F21L 4/027; D21V 33/00

See application file for complete search history.

(56) **References Cited**

U.S. PATENT DOCUMENTS

- 492,520 A * 2/1893 Hedges E02D 5/80
248/156
- 661,830 A * 11/1900 Webster E04H 13/003
220/475
- 726,801 A * 4/1903 Maxwell F16L 9/18
138/115
- D51,177 S * 8/1917 Horton D10/111
- D62,050 S * 3/1923 Weir D99/18
- D75,474 S * 6/1928 Camelo D99/18
- 1,782,070 A * 11/1930 Lazarus A63H 33/40
248/512
- 2,148,660 A * 2/1939 Sweeney E04H 13/00
40/124.5
- 2,280,817 A * 4/1942 Freeman G09F 13/26
116/173

- 2,350,316 A * 5/1944 Meyer G09F 13/14
40/581
- D157,366 S * 2/1950 Gerth 47/47
- D189,209 S * 11/1960 Harling D26/67
- 3,048,833 A * 8/1962 Bernheim H01J 40/14
250/206
- D199,267 S * 9/1964 Harling et al. D26/67
- 3,182,936 A * 5/1965 Murdock E04H 12/32
248/530
- 3,194,952 A * 7/1965 Wells F21S 8/088
181/141
- 3,263,069 A * 7/1966 Krucki F21S 8/033
362/431
- 3,363,092 A * 1/1968 Clark F21S 8/088
362/223
- 3,421,473 A * 1/1969 Weichenrieder E01F 9/019
116/173
- 3,502,007 A * 3/1970 Andersson E01F 9/0175
116/63 R
- 3,519,234 A * 7/1970 Matson E01F 9/0117
144/195.5
- 3,593,014 A * 7/1971 Vesely F21V 11/02
362/263

(Continued)

Primary Examiner — Paula Greene

(57) **CLAIM**

I claim the ornamental design for a grave marker with flags and solar powered light, as shown and described.

DESCRIPTION

Cross Reference to related Application U.S. Pat. No. 6,729, 742.

FIG. 1 is a front elevational view of a grave marker with flags and solar powered light showing my new design;

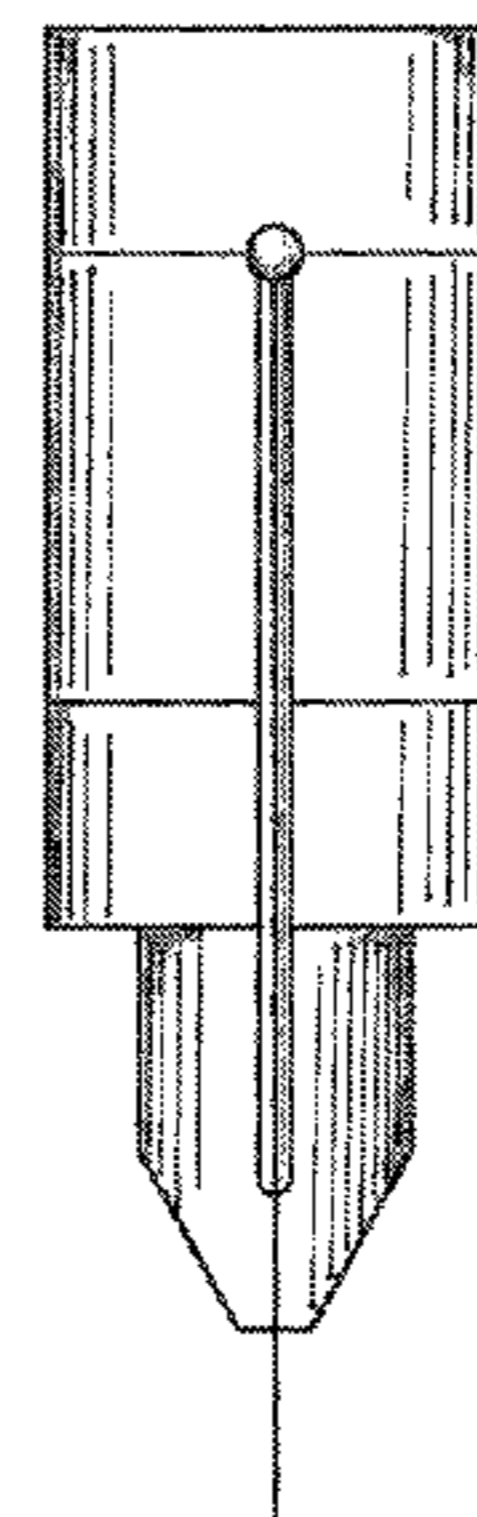
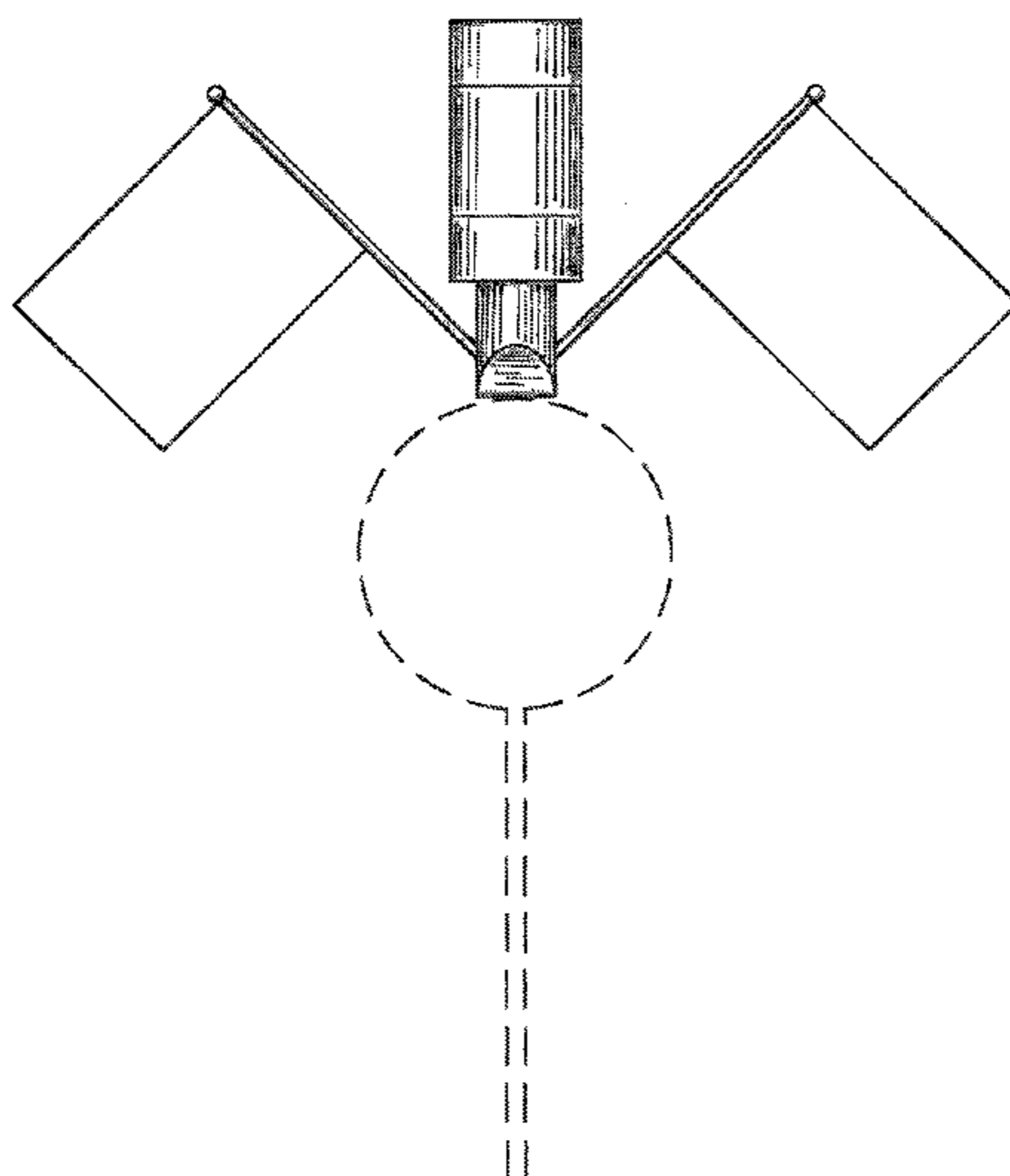
FIG. 2 is a Right Side Elevation View thereof; the left side is a mirror image

FIG. 3 is a Top Plan View thereof; and,

FIG. 4 is a Bottom Plan View thereof

The broken lines form no pan of the claimed design.

1 Claim, 3 Drawing Sheets



(56)

References Cited

U.S. PATENT DOCUMENTS

D221,615 S *	8/1971	Simonds et al.	D26/68	6,406,163 B1 *	6/2002	Yang	F21S 9/037 362/183
D226,778 S *	4/1973	Bread	D26/67	D468,471 S *	1/2003	Chen	D26/67
3,833,804 A *	9/1974	Vesely	F21S 8/088 362/267	D476,131 S *	6/2003	Barnes	D99/18
3,876,970 A *	4/1975	Schweitzer	F21L 4/00 248/156	D497,021 S *	10/2004	Pu	D26/67
3,977,110 A *	8/1976	Yerger	G09F 17/00 116/173	D499,831 S *	12/2004	Chen	D26/67
4,135,228 A *	1/1979	Lones	F21L 14/02 362/18	D500,381 S *	12/2004	Chen	D26/67
4,233,769 A *	11/1980	Archer	G09F 7/20 248/530	D503,842 S *	4/2005	Barnes	D99/18
4,474,648 A *	10/1984	Tantram	G01N 27/4045 204/415	D516,951 S *	3/2006	Venick	D11/182
4,626,974 A *	12/1986	Dean	F21V 21/116 248/219.2	D530,034 S *	10/2006	Hon	D26/67
4,662,305 A *	5/1987	Cline	G09F 7/20 116/173	7,246,929 B2 *	7/2007	Schuster	F21V 21/0824 362/152
D296,369 S *	6/1988	Harvey	D26/67	7,311,414 B2 *	12/2007	Norton	A41G 1/005 362/122
4,841,416 A *	6/1989	Doss	F21S 8/088 136/291	D574,537 S *	8/2008	Sanoner	D26/67
D316,459 S *	4/1991	Kira	D26/104	D611,180 S *	3/2010	Swiger	D26/67
5,155,668 A *	10/1992	Tanner	F21S 9/037 136/291	D616,131 S *	5/2010	Chen	D26/67
5,450,811 A *	9/1995	Heiland	B60Q 7/00 116/173	D634,505 S *	3/2011	Leviner	D8/1
5,454,178 A *	10/1995	Rivard	G09F 7/18 248/535	8,454,215 B2 *	6/2013	Bollmann	G09F 13/16 362/183
5,649,760 A *	7/1997	Beadle	F21V 17/02 362/267	8,585,231 B1 *	11/2013	May	F21S 9/037 362/1
D430,942 S *	9/2000	Schuster	D25/126	2002/0035959 A1 *	3/2002	Bukky	G09F 3/12 116/209
D452,028 S *	12/2001	Lee	D26/67	2006/0146524 A1 *	7/2006	Izardel	F21S 9/037 362/183
				2010/0012606 A1 *	1/2010	Bourgo	A61G 17/08 211/85.27
				2012/0287610 A1 *	11/2012	Krogman	F21S 8/083 362/152

* cited by examiner

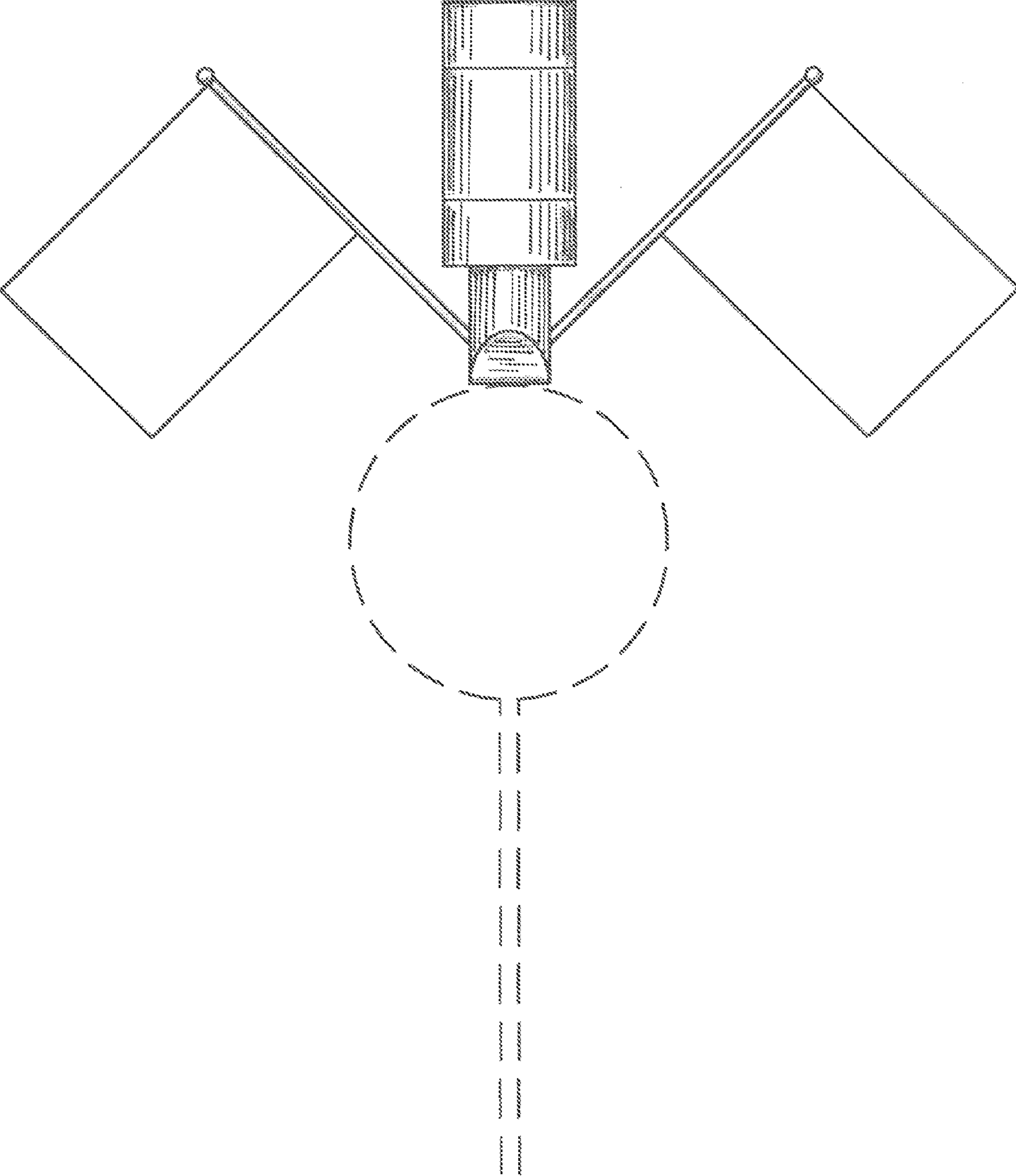


FIG. 1

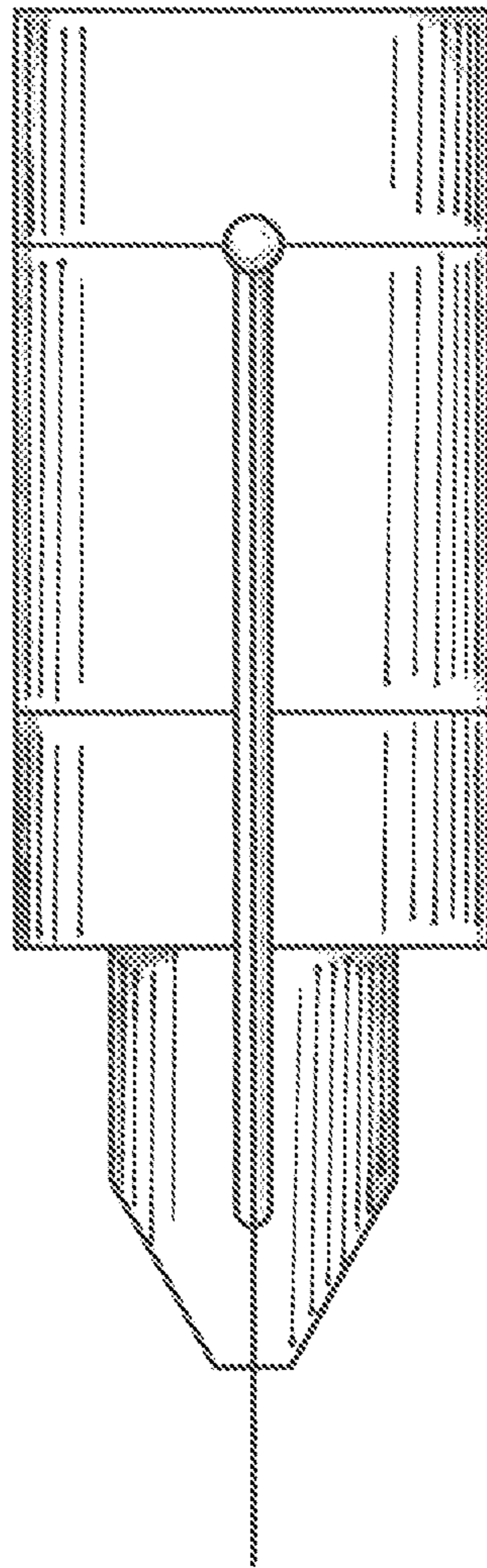


FIG. 2

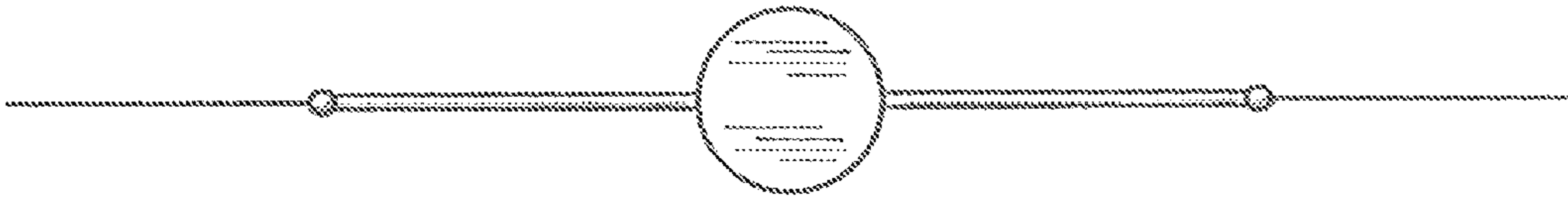


FIG. 3

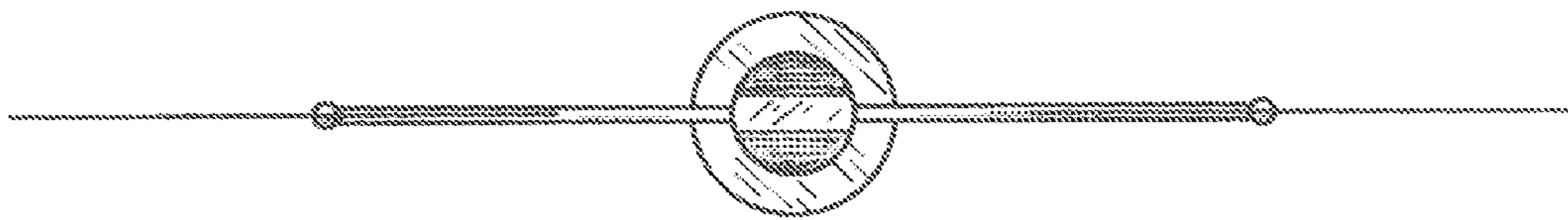


FIG. 4