



US00D759937S

(12) **United States Design Patent**
Tilden

(10) **Patent No.:** **US D759,937 S**

(45) **Date of Patent:** **** Jun. 21, 2016**

(54) **T-POST PULLER**

(71) Applicant: **Walter Tilden**, Niangua, MO (US)

(72) Inventor: **Walter Tilden**, Niangua, MO (US)

(**) Term: **14 Years**

(21) Appl. No.: **29/511,492**

(22) Filed: **Dec. 11, 2014**

(51) **LOC (10) Cl.** **12-05**

(52) **U.S. Cl.**
USPC **D34/35**

(58) **Field of Classification Search**
USPC D34/28-38; 254/30, 92, 131, 133 R
CPC . A61G 7/1017; A61G 7/1019; A61G 7/1046;
B66C 23/48; B66C 1/14; E04H 17/265;
E04H 17/261; E04H 12/34; E04H 17/263;
E04H 17/266; E02D 11/00
See application file for complete search history.

(56) **References Cited**

U.S. PATENT DOCUMENTS

3,762,687	A	10/1973	De Rome et al.	254/30
4,040,601	A *	8/1977	Boardman	B66F 19/00 254/133 R
5,011,117	A *	4/1991	Youngblood	E04H 17/265 254/30
D337,412	S *	7/1993	Ruggles	D34/35
5,224,687	A	7/1993	Geckler et al.	254/30
7,185,880	B1 *	3/2007	McCray	E04H 17/265 254/30
7,963,051	B2 *	6/2011	Ford	B66C 1/16 254/30
2011/0062398	A1	3/2011	Ring-Gjerde	254/30
2012/0210610	A1	8/2012	Ford	37/195

* cited by examiner

Primary Examiner — Cynthia Ramirez

Assistant Examiner — Gino Colan

(74) *Attorney, Agent, or Firm* — Jonathan A. Bay

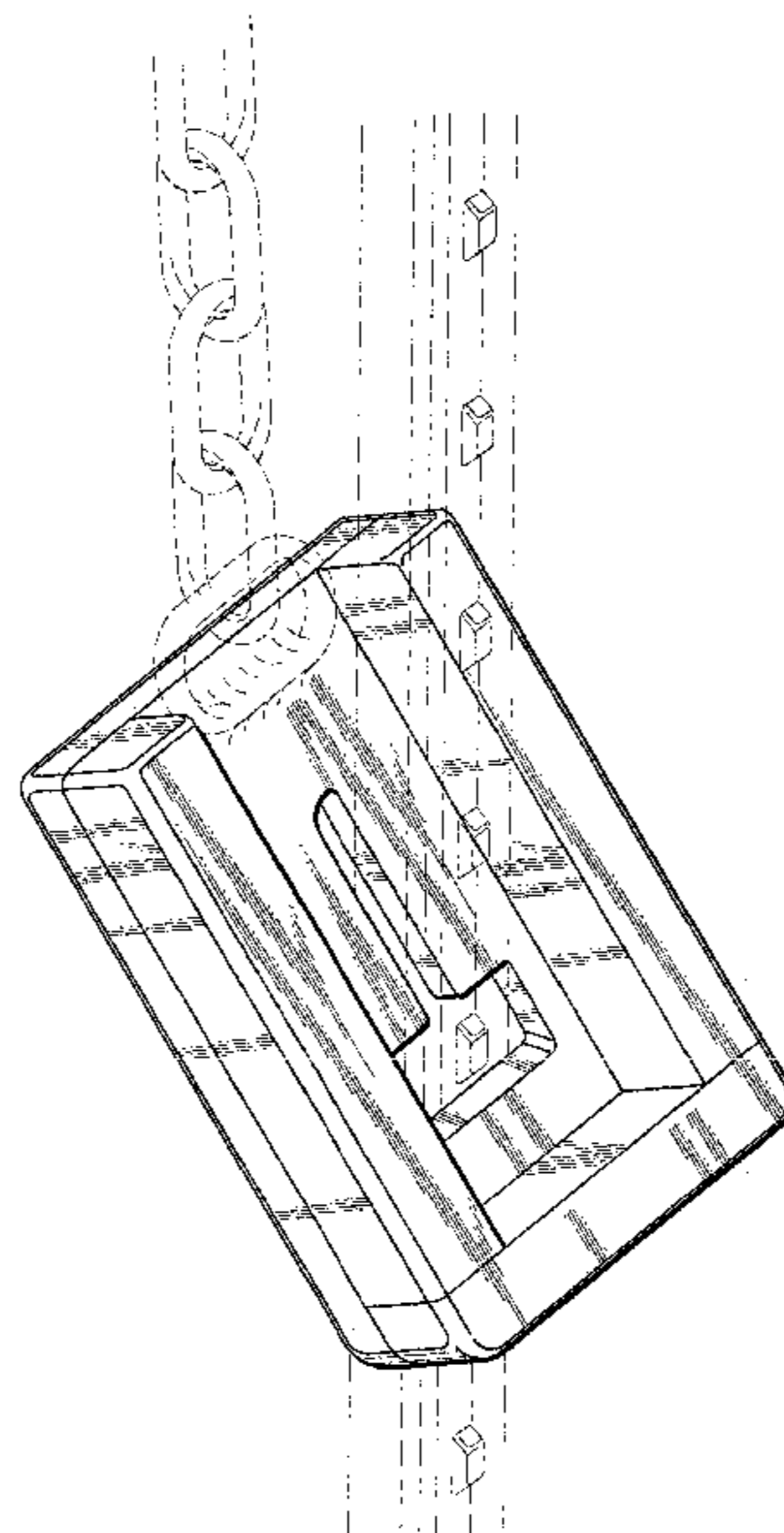
(57) **CLAIM**

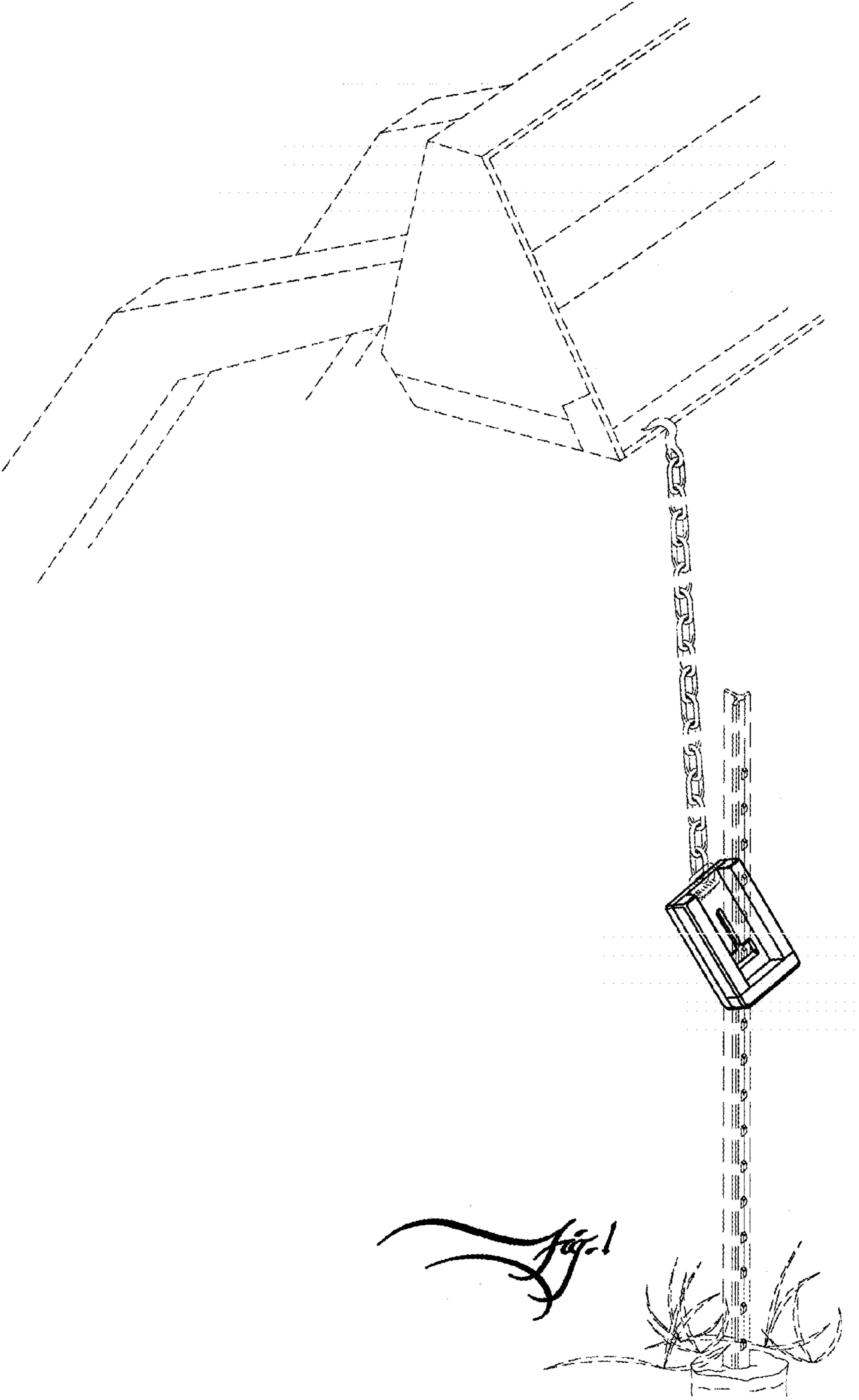
The ornamental design for a T-post puller, as shown and described.

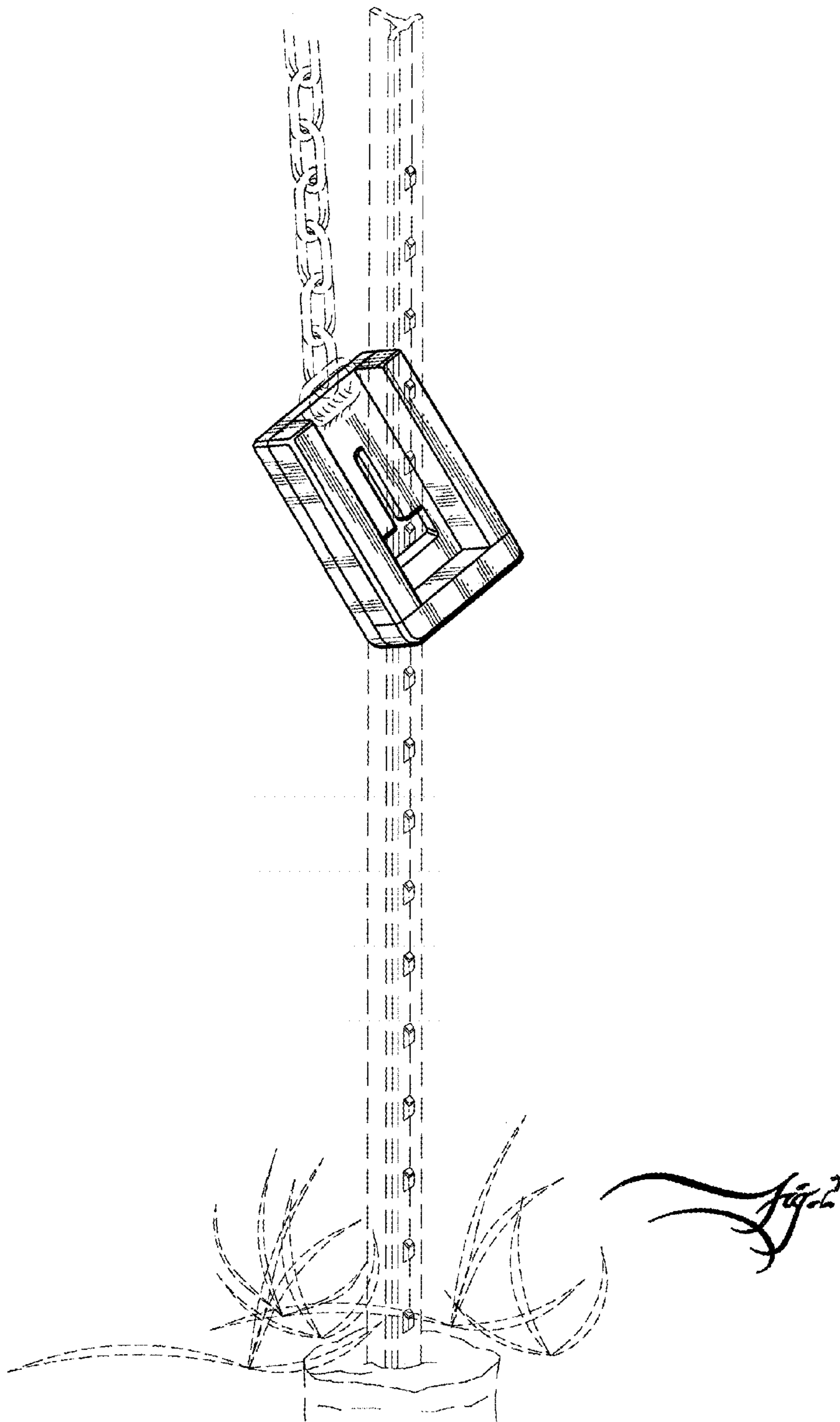
DESCRIPTION

FIG. 1 is a perspective view of a T-post puller showing my new design;
 FIG. 2 is an enlarged-scale perspective view thereof;
 FIG. 3 is an enlarged-scale perspective view thereof;
 FIG. 4 is a rear perspective view thereof;
 FIG. 5 is a top plan view thereof;
 FIG. 6 is a front elevational view thereof;
 FIG. 7 is a rear elevational view thereof;
 FIG. 8 is a bottom plan view thereof;
 FIG. 9 is a right side elevational view thereof, the left side being a mirror image;
 FIG. 10 is a cross-sectional view taken along line X-X in FIG. 6;
 FIG. 11 is a perspective view of a second embodiment comparable to the first embodiment with the only variation being in the stud-engaging surface of the T-post puller in accordance with the invention;
 FIG. 12 is front elevational view thereof; and,
 FIG. 13 is a cross-sectional view taken along line XIII-XIII in FIG. 12.
 The broken line shown in the figures are included for the purpose of illustrating environment and form no part of the claimed design.

1 Claim, 10 Drawing Sheets







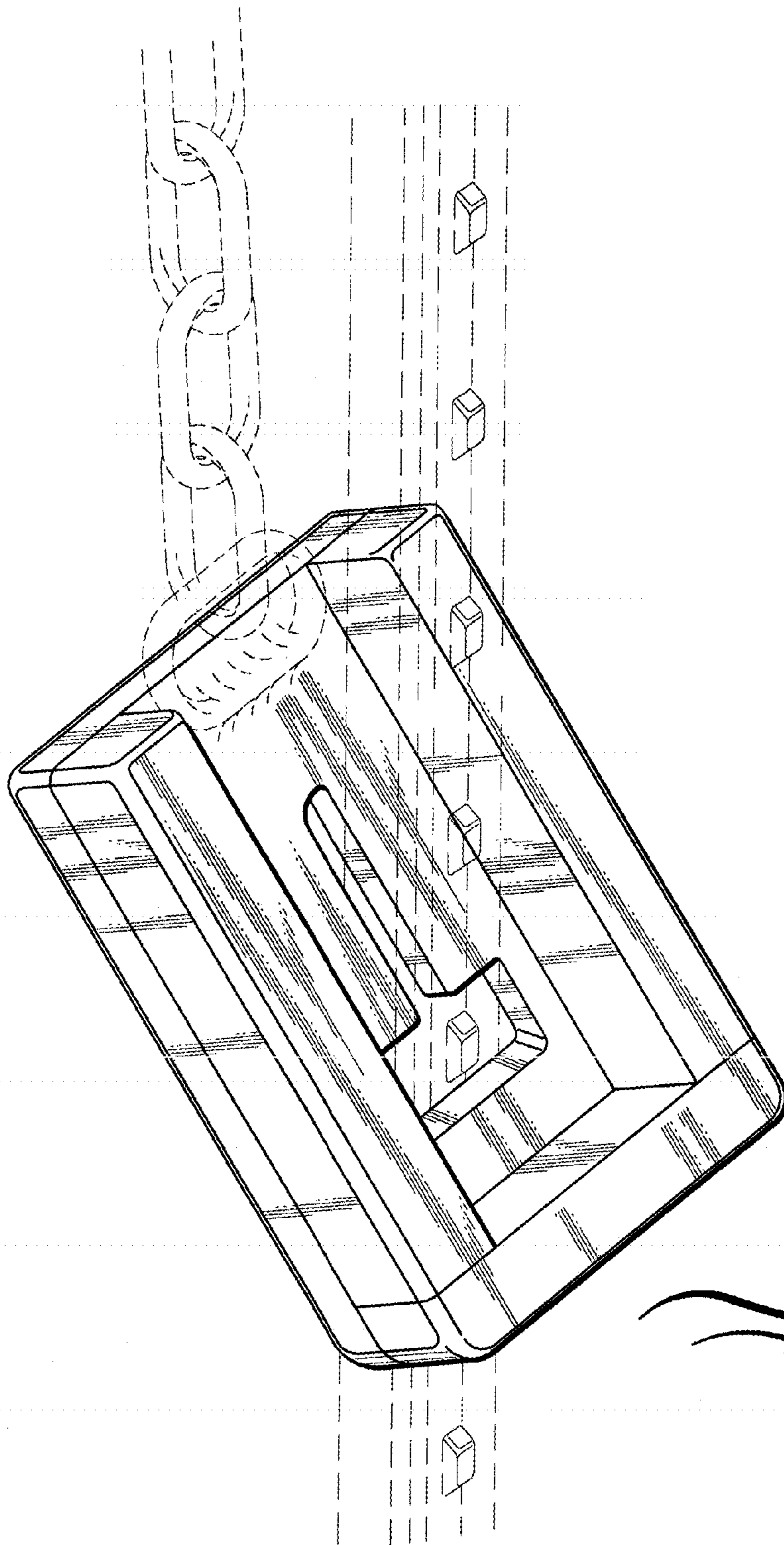


Fig. 3

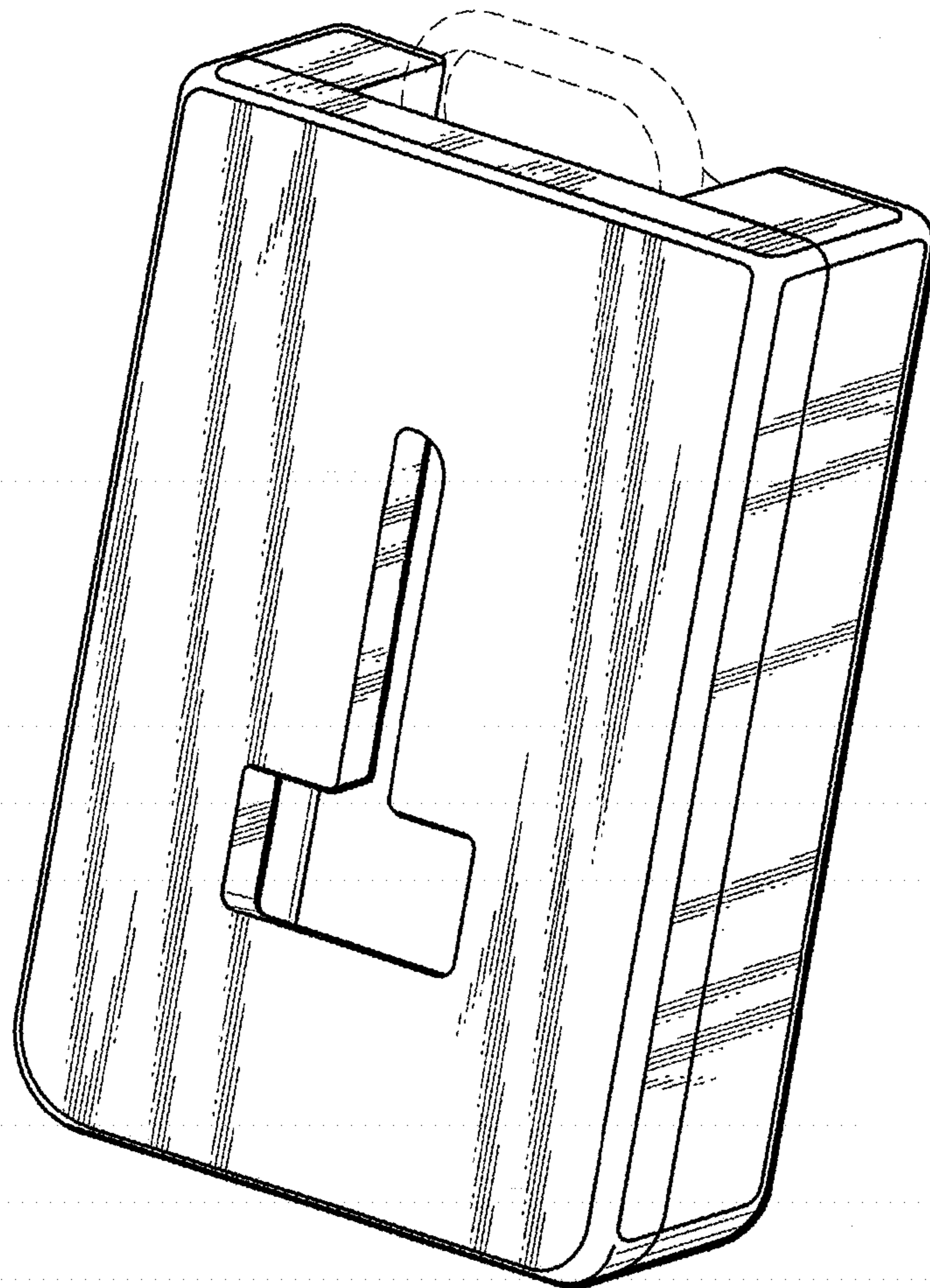


Fig. 4

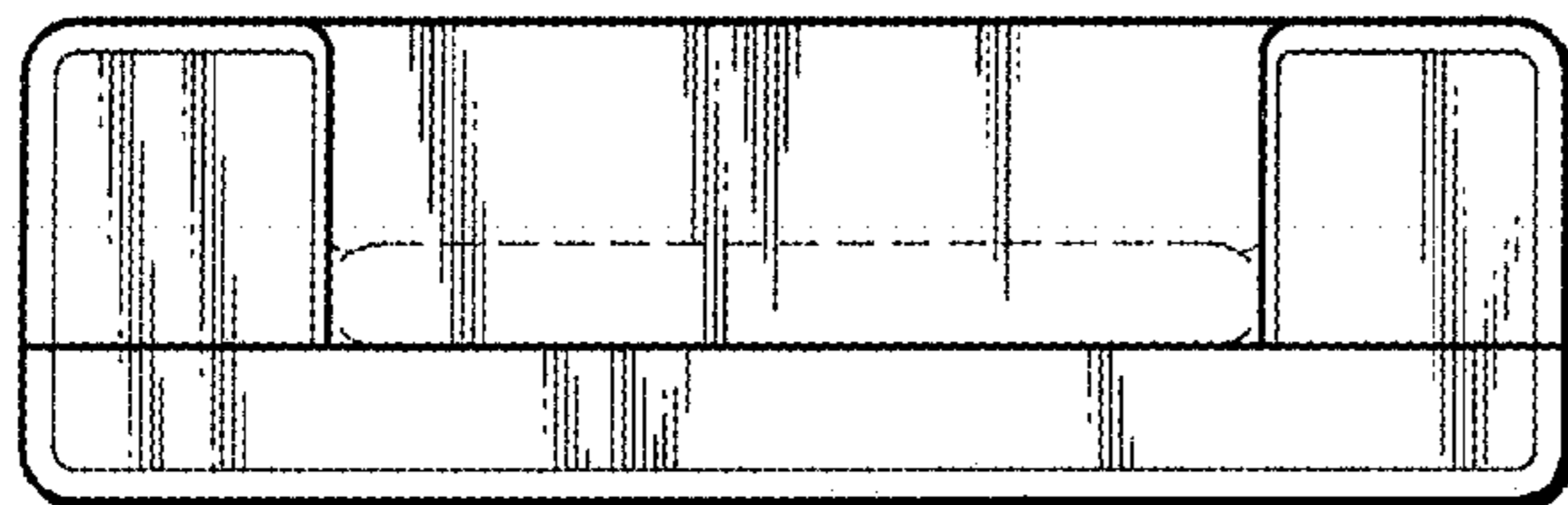


Fig. 5

X

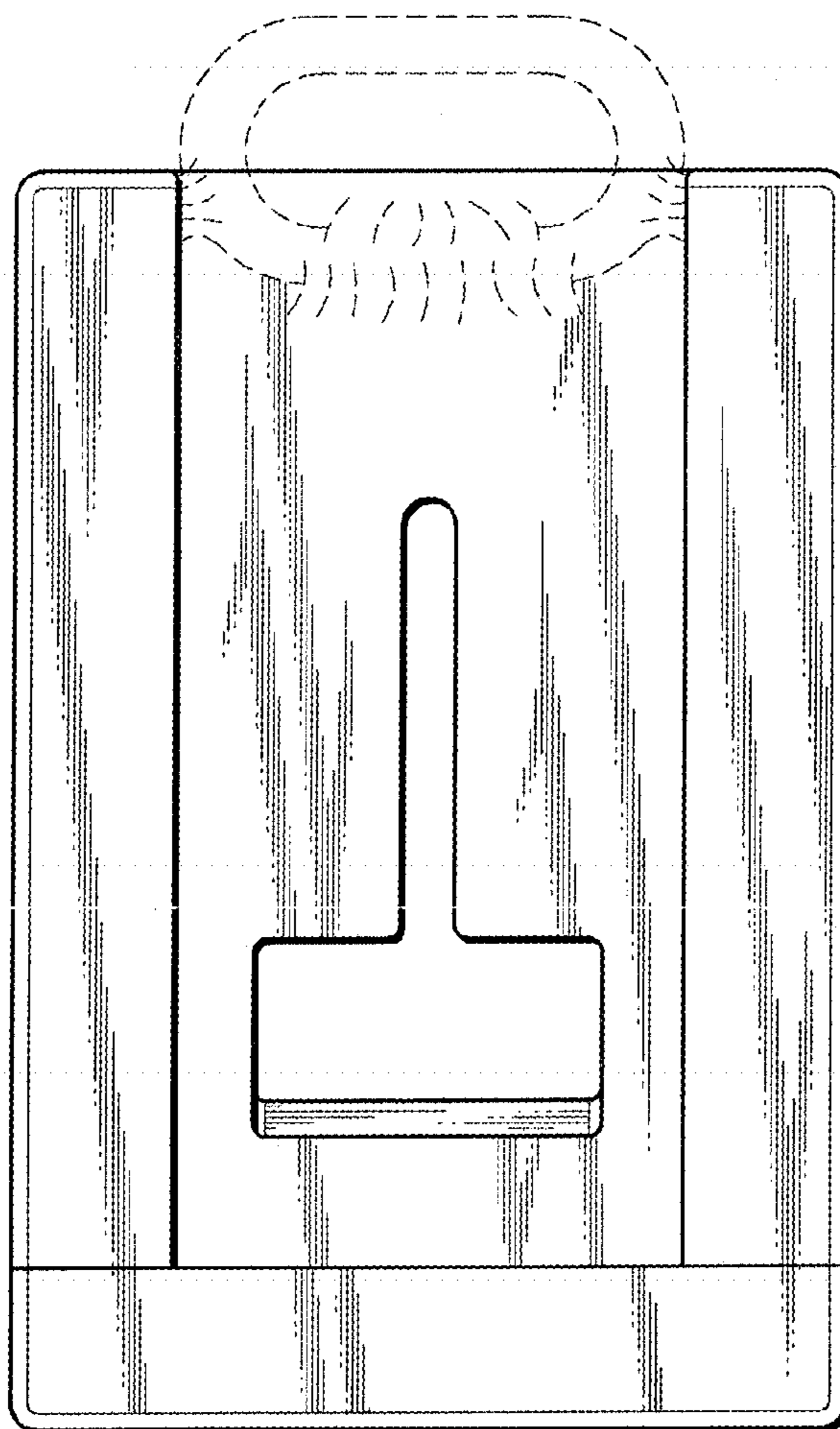


Fig. 6

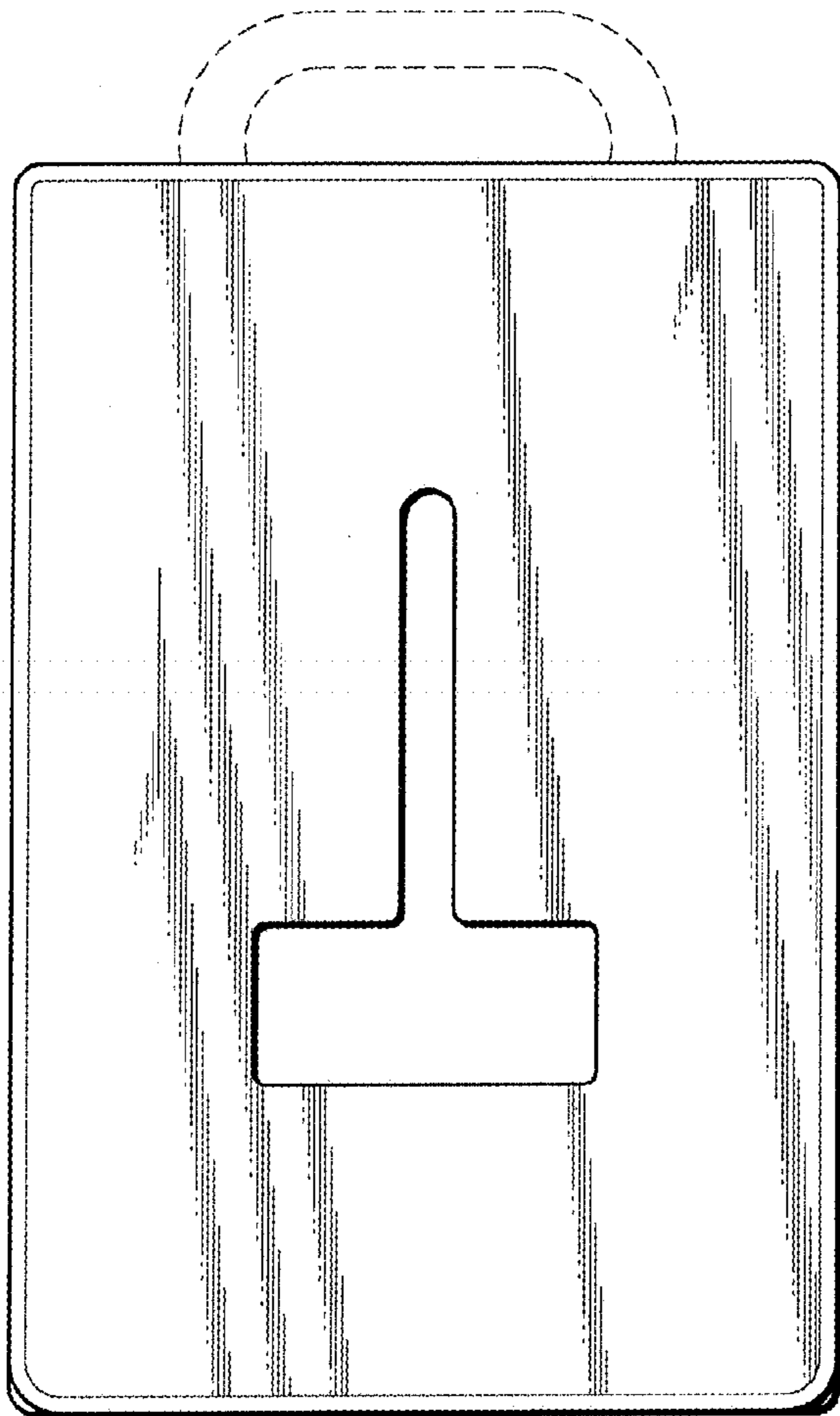


Fig. 7

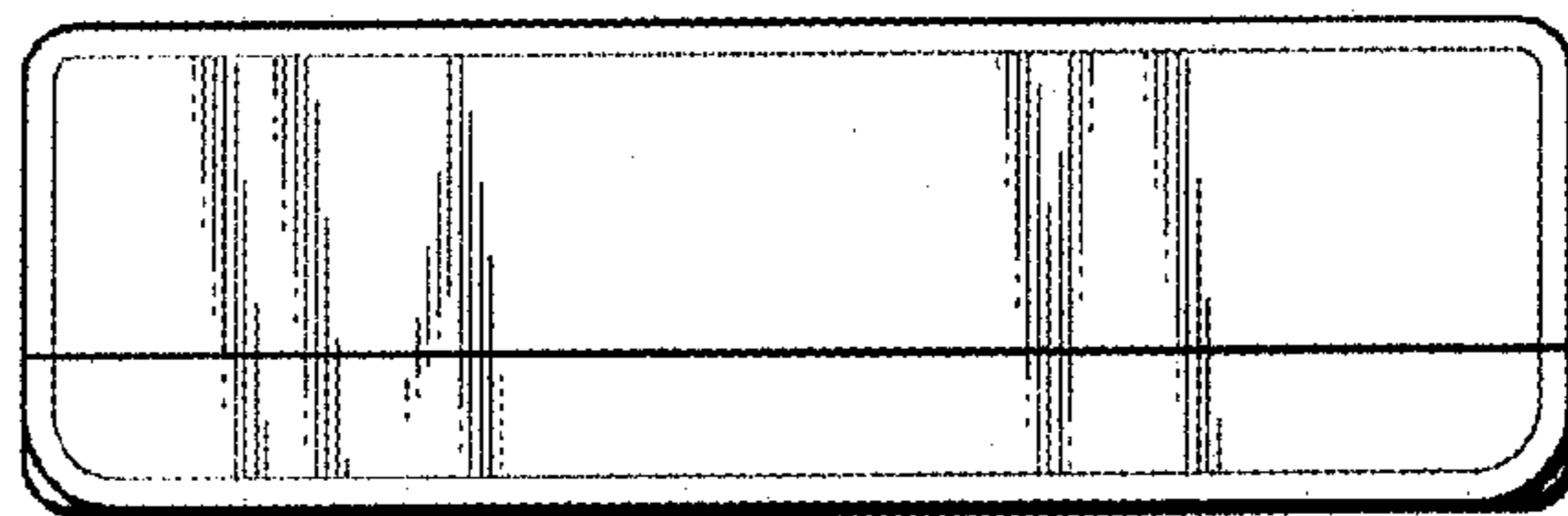


Fig. 8

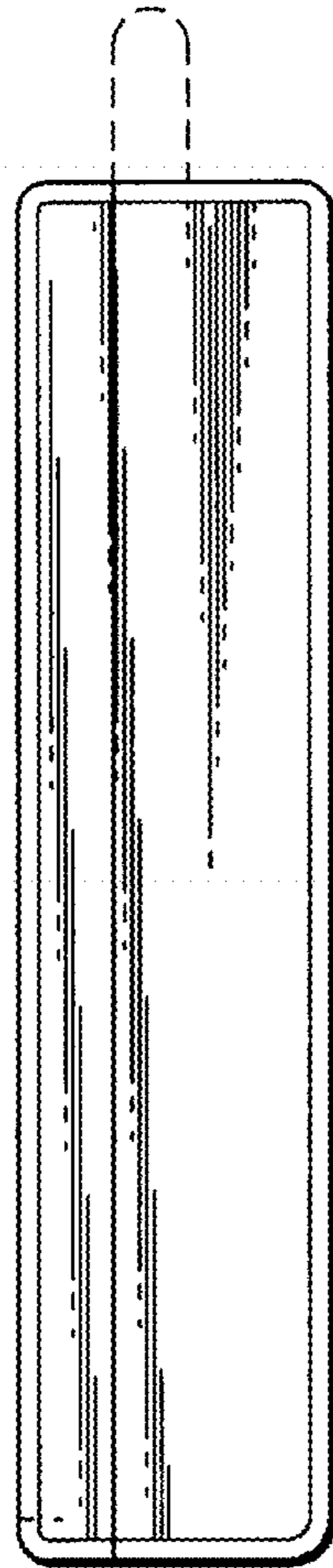


Fig. 9

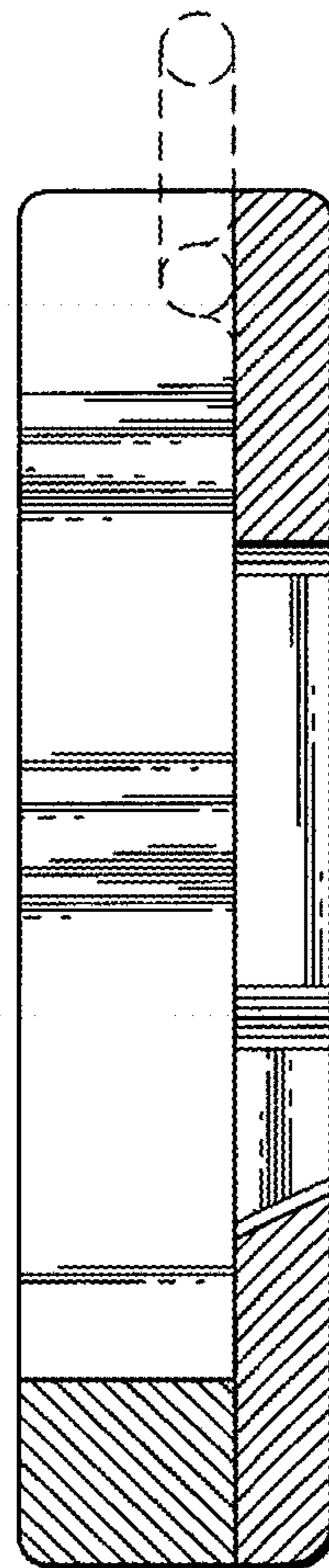


Fig. 10

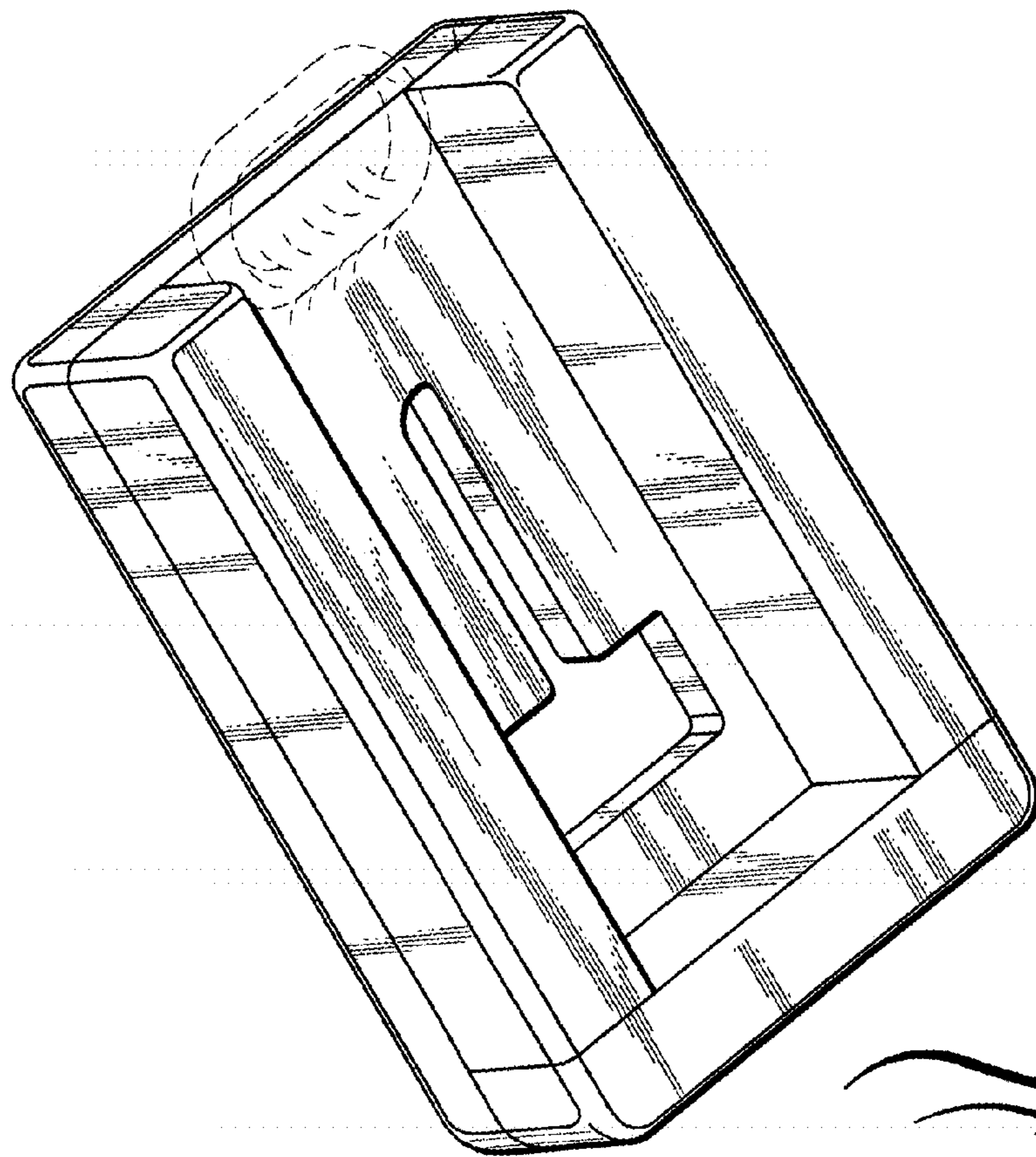
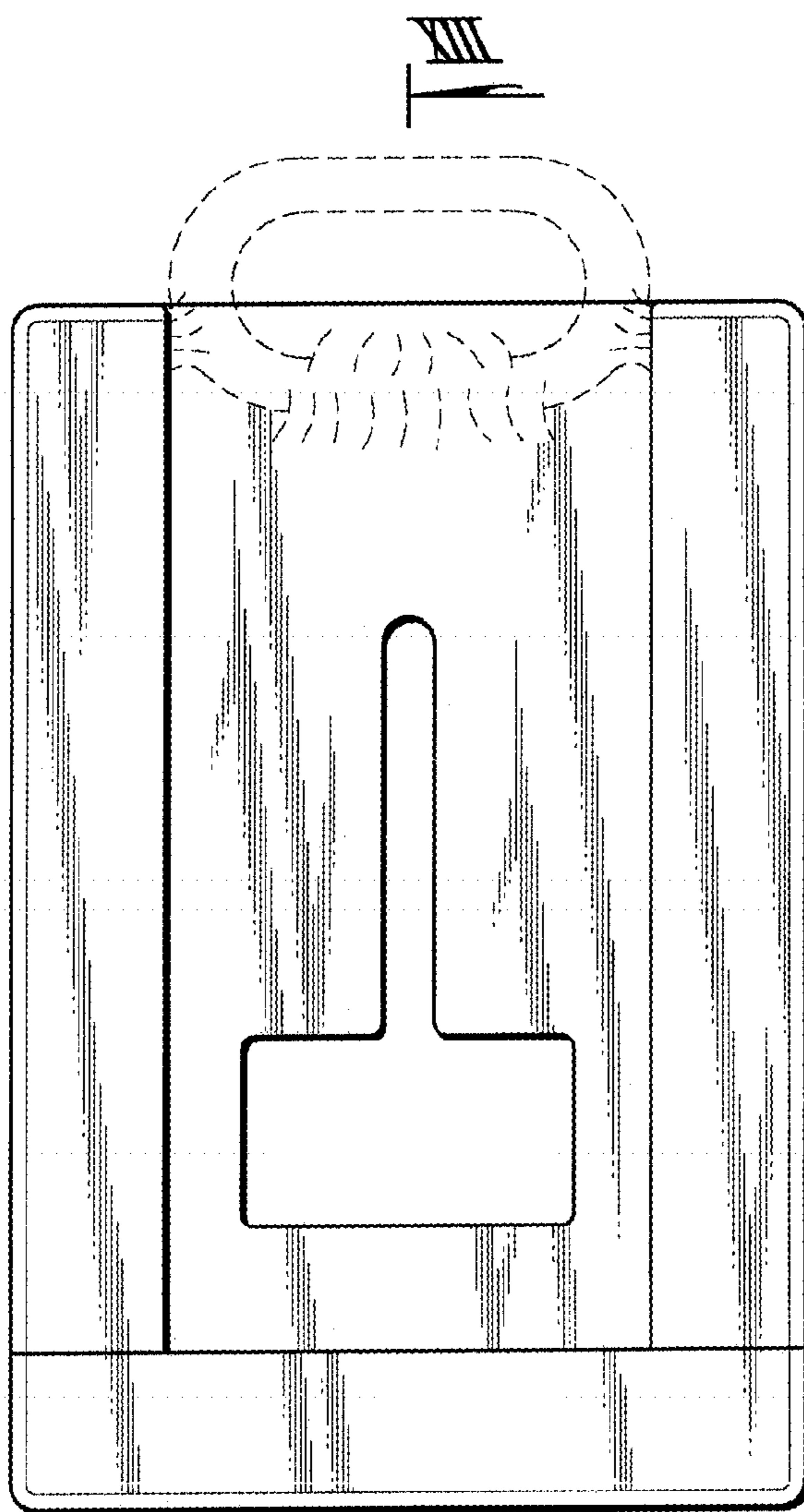


Fig. 11



XIII *Fig. 12*

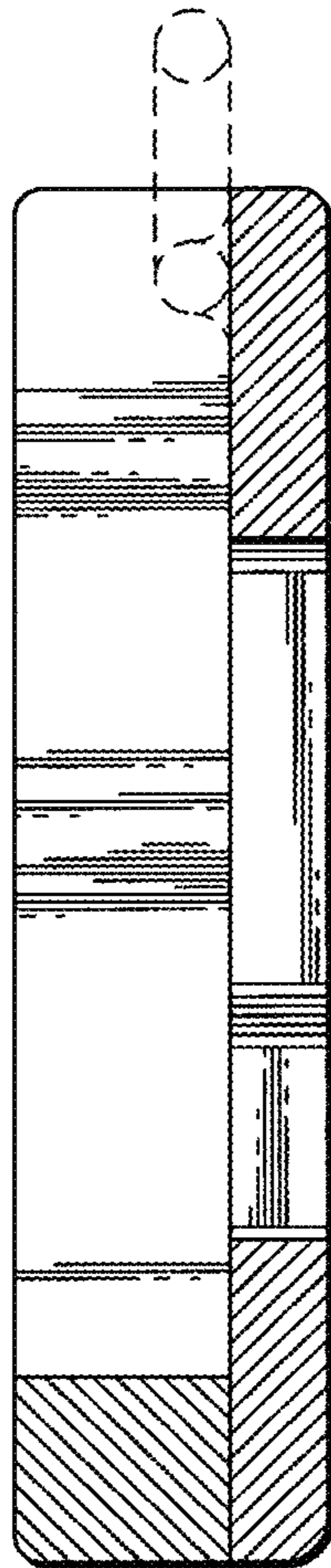


Fig. 13