



US00D759935S

(12) **United States Design Patent**
Kritzer

(10) **Patent No.:** **US D759,935 S**
(45) **Date of Patent:** **** Jun. 21, 2016**

- (54) **PORTABLE AUTOMOBILE LIFT**
- (71) Applicant: **BendPak, Inc.**, Santa Paula, CA (US)
- (72) Inventor: **Jeffrey S. Kritzer**, Moorpark, CA (US)
- (73) Assignee: **BENDPAK, INC.**, Santa Paula, CA (US)
- (**) Term: **15 Years**
- (21) Appl. No.: **29/547,393**
- (22) Filed: **Dec. 3, 2015**

- 5,636,711 A * 6/1997 Nussbaum B66F 7/0666
182/141
- 6,257,372 B1 * 7/2001 Schirmer B66B 9/0853
187/269
- 6,318,929 B1 * 11/2001 Basta B63C 3/00
114/44
- 6,619,620 B1 * 9/2003 Carter B66F 7/0625
254/10 C
- 7,299,758 B1 * 11/2007 Bogart B63C 3/06
114/44
- D632,450 S * 2/2011 Agoncillo D34/28
- 8,733,508 B2 * 5/2014 Bacon B66F 7/065
187/240
- D716,514 S * 10/2014 Kritzer D34/28
- D748,361 S * 1/2016 Kritzer D34/28
- 2009/0272953 A1 * 11/2009 Wolf B66F 7/0625
254/7 C
- 2015/0076431 A1 * 3/2015 Kritzer B66F 5/04
254/89 H

Related U.S. Application Data

- (63) Continuation of application No. 29/498,920, filed on Aug. 8, 2014, now Pat. No. Des. 748,361, which is a continuation-in-part of application No. 29/467,149, filed on Sep. 16, 2013, now Pat. No. Des. 716,514.
- (51) **LOC (10) Cl.** **12-05**
- (52) **U.S. Cl.**
USPC **D34/28**
- (58) **Field of Classification Search**
USPC D34/28-37; 254/1, 10 R, 122, 93 R, 8 B, 254/10 C, 8 R, 9 C, 10 B, 9 B, 9 R, 93 H, 133 R, 254/124, 88, 90, 1 R, 45, 89 H, 89 R, 8.43; D12/101, 406, 408, 410, 402, 2 C, 8 R, D12/154; 414/539, 540, 541, 678, 921
CPC B66F 7/0641; B66F 7/08; B66F 3/46; B66F 7/16; B66F 7/20; B66F 11/04; B66F 3/00; B66F 3/02; B66F 11/00
See application file for complete search history.

* cited by examiner

Primary Examiner — Cynthia Ramirez

Assistant Examiner — Gino Colan

(74) *Attorney, Agent, or Firm* — Erickson Kernell Derusseau & Kleypas, LLC

(57) **CLAIM**

The ornamental design for a portable automobile lift, as shown and described.

DESCRIPTION

FIG. 1 is a perspective view of a portable automobile lift; FIG. 2 is a left side elevational view thereof; FIG. 3 is a right side elevational view thereof; FIG. 4 is a front elevational view thereof; FIG. 5 is a rear elevational view thereof; FIG. 6 is a top plan view thereof; and, FIG. 7 is a bottom plan view thereof. The broken lines in the figures are included for the purpose of illustrating portions of the portable automobile lift that form no part of the claimed design.

(56) **References Cited**

U.S. PATENT DOCUMENTS

- 5,007,121 A * 4/1991 McEathron A61G 7/1003
254/10 C
- D375,602 S * 11/1996 Henthorn D34/28

1 Claim, 3 Drawing Sheets

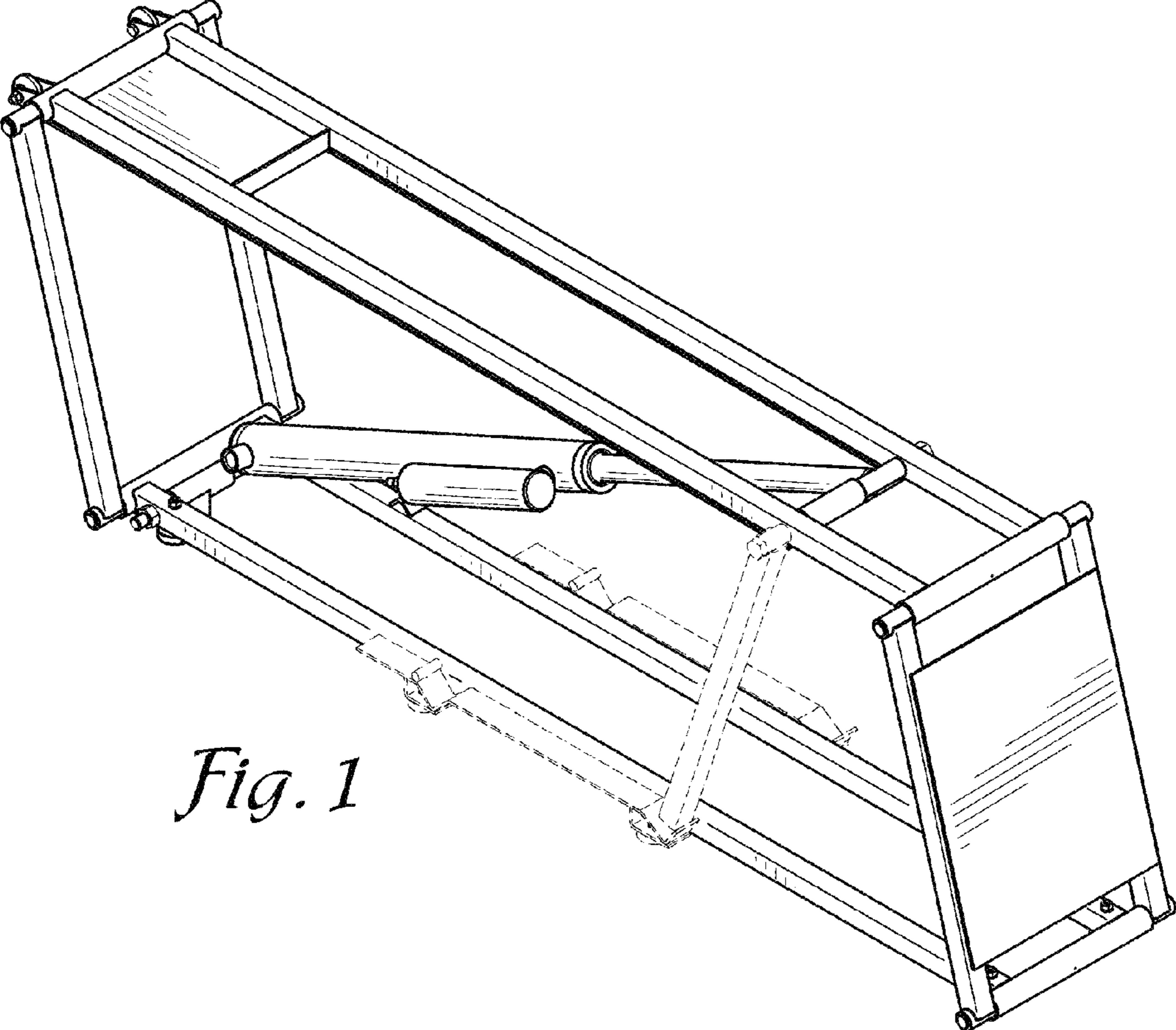


Fig. 1

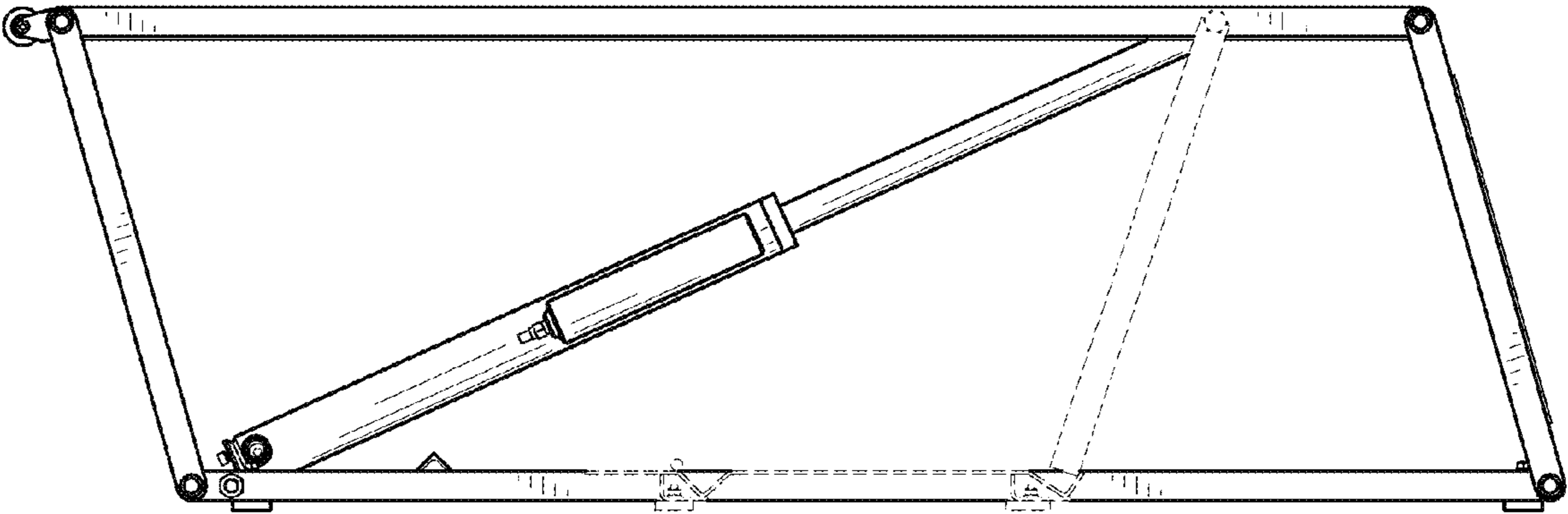


Fig. 2

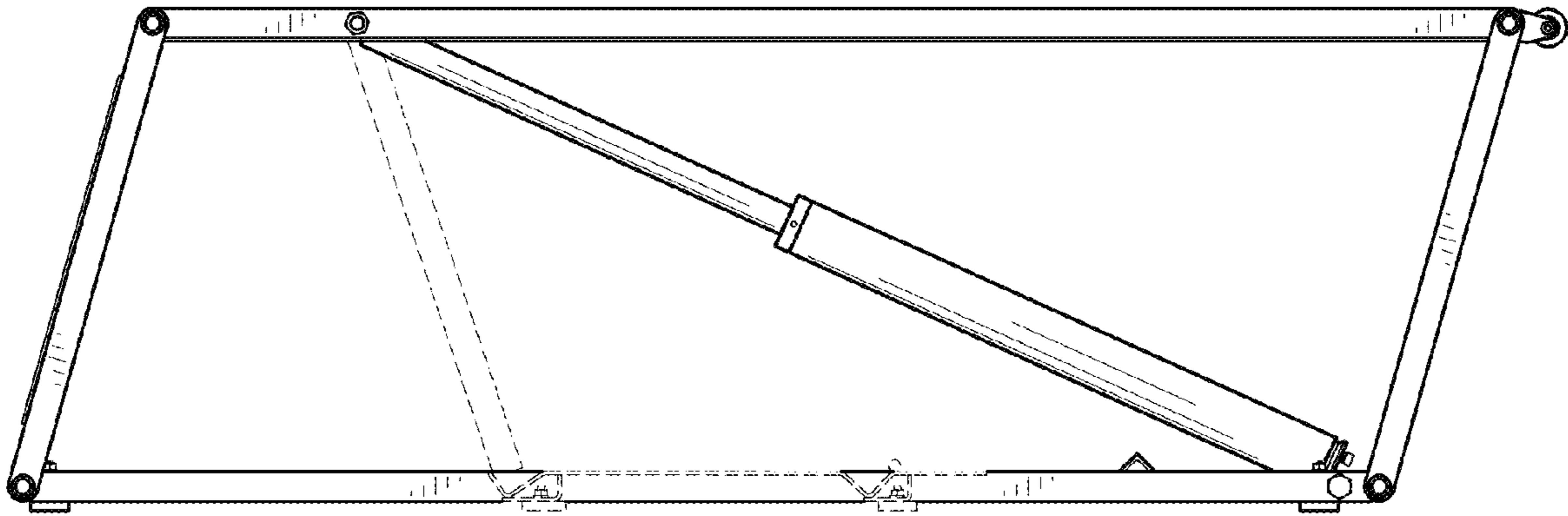


Fig. 3

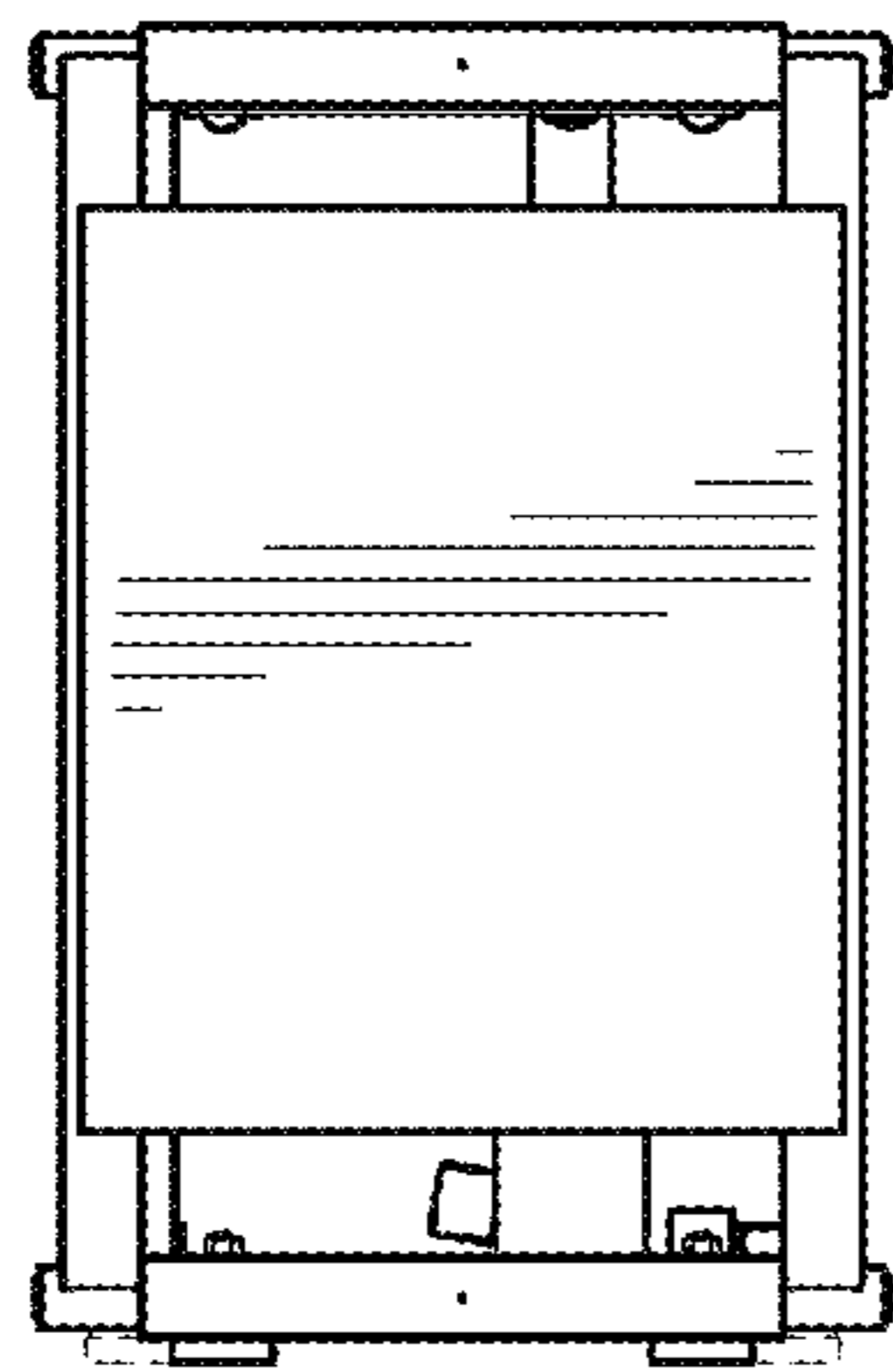


Fig. 4

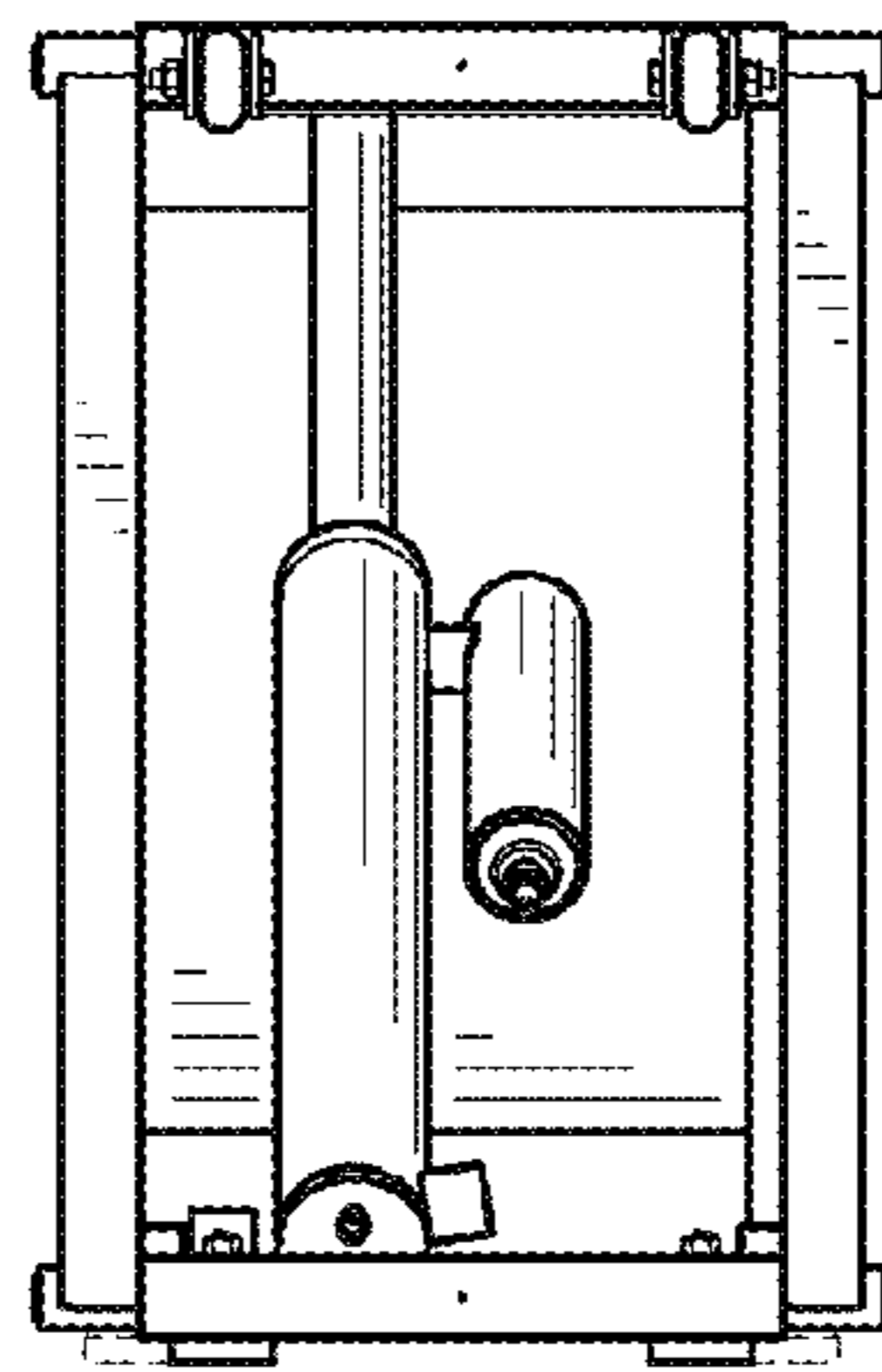


Fig. 5

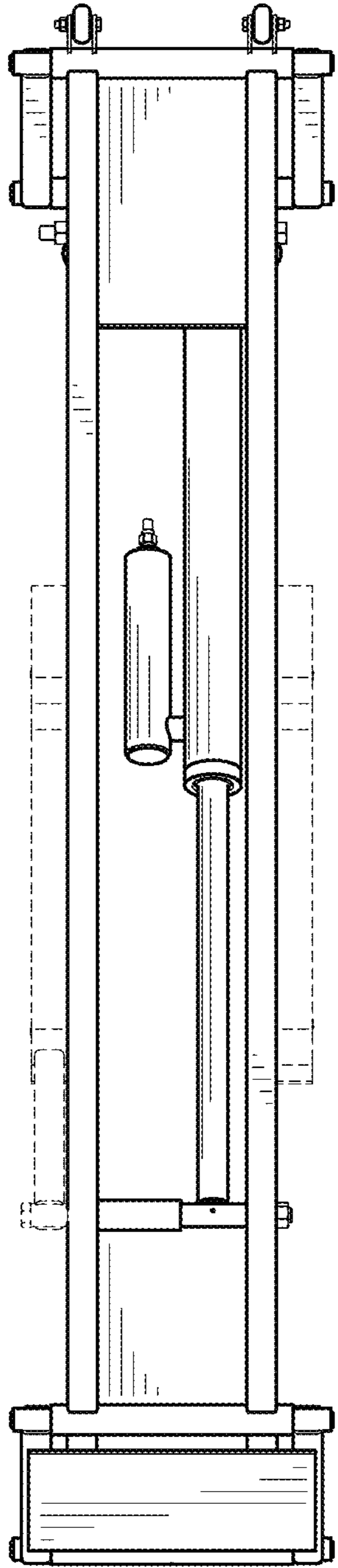


Fig. 6

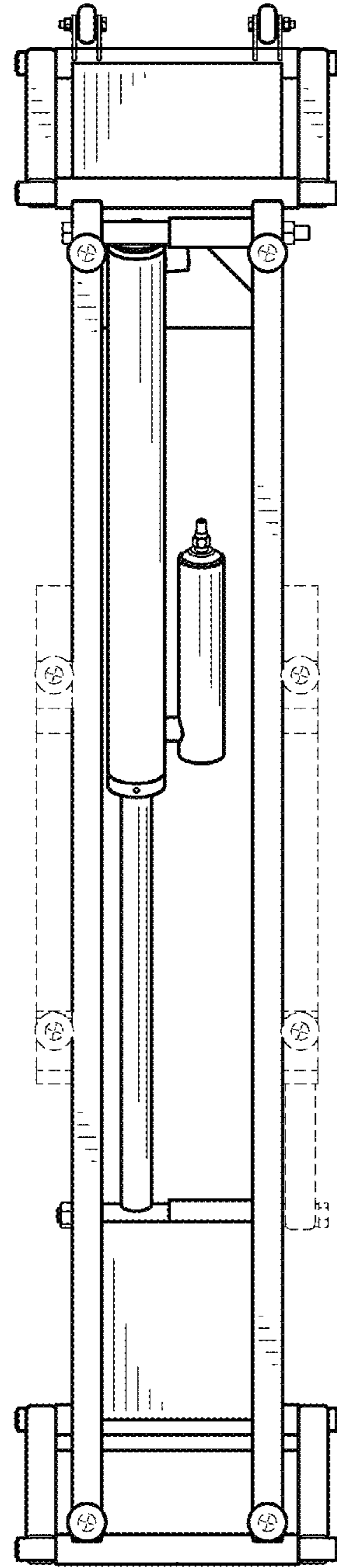


Fig. 7