



US00D759934S

(12) **United States Design Patent**  
**Yang et al.**

(10) **Patent No.:** **US D759,934 S**  
(45) **Date of Patent:** **\*\* Jun. 21, 2016**

(54) **TRASH CAN TRIM COMPONENT**  
(71) Applicant: **simplehuman, LLC**, Torrance, CA (US)  
(72) Inventors: **Frank Yang**, Rancho Palos Verdes, CA (US); **Di-Fong Chang**, Torrance, CA (US); **Myk Lum**, Irvine, CA (US); **Adam Wade**, Rancho Santa Margarita, CA (US); **Ken Sugimoto**, Irvine, CA (US)

2,888,307 A 5/1959 Graves et al.  
2,946,474 A 7/1960 Knapp  
3,008,604 A 11/1961 Garner

(Continued)

FOREIGN PATENT DOCUMENTS

AU 622536 4/1992  
CA 2519295 3/2007

(Continued)

OTHER PUBLICATIONS

U.S. Appl. No. 29/484,903, filed Mar. 13, 2014, Yang et al.

(Continued)

(73) Assignee: **simplehuman, LLC**, Torrance, CA (US)  
(\*\*) Term: **14 Years**

(21) Appl. No.: **29/519,551**

(22) Filed: **Mar. 5, 2015**

(51) **LOC (10) Cl.** ..... **09-09**

(52) **U.S. Cl.**  
USPC ..... **D34/11**

(58) **Field of Classification Search**  
USPC ..... D34/1-11; 220/908, 908.1, 262-265,  
220/200

CPC ..... B65F 1/163; B65F 1/062; B65F 1/1623;  
B65F 1/1646; B65B 43/38  
See application file for complete search history.

*Primary Examiner* — Cynthia Ramirez

(74) *Attorney, Agent, or Firm* — Knobbe, Martens, Olson & Bear, LLP

(57) **CLAIM**

The ornamental design for a trash can trim component, as shown and described.

**DESCRIPTION**

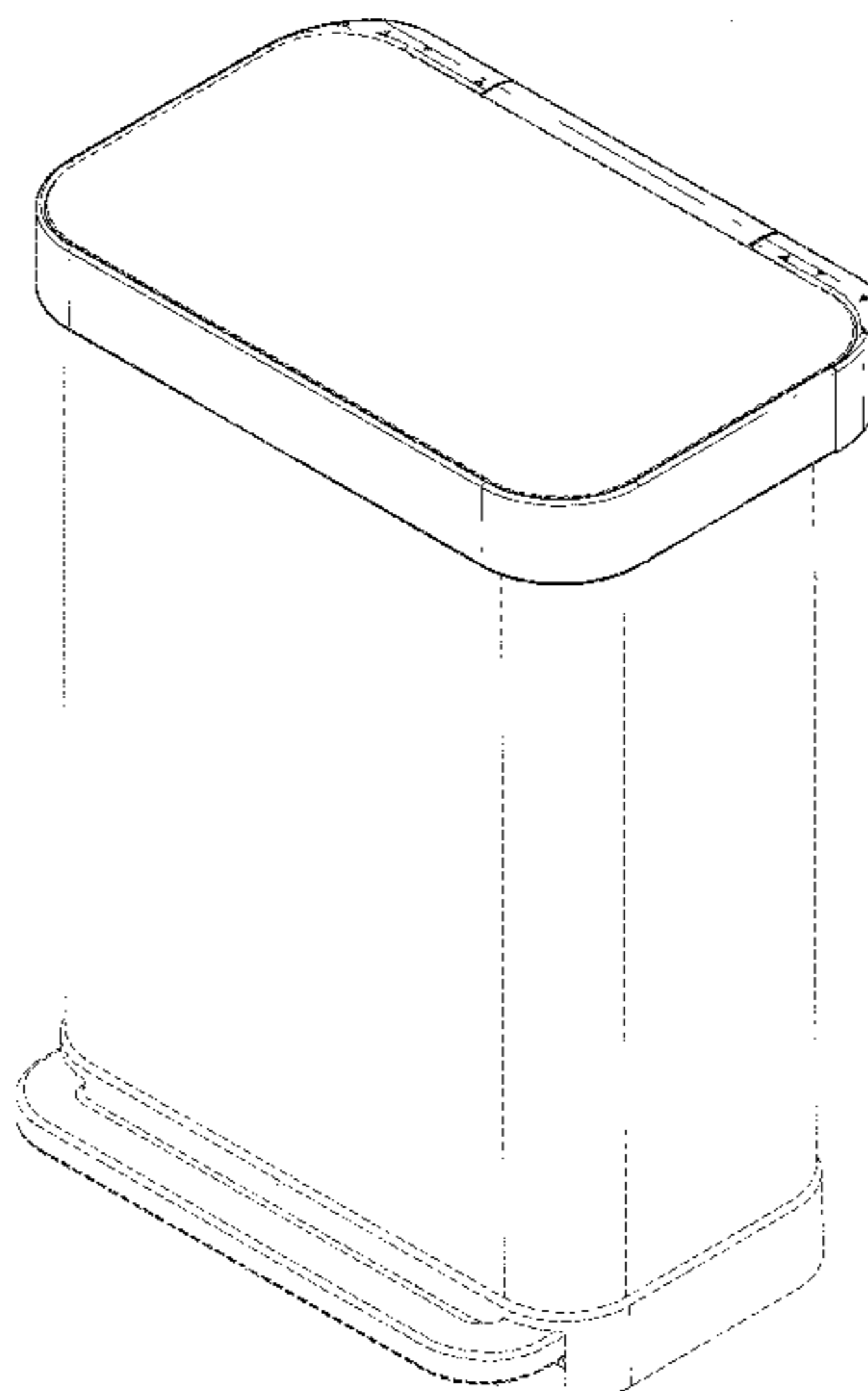
FIG. 1 is a top, front, left-side perspective view of a trash can trim component of our design;  
FIG. 2 is a top, rear, left-side perspective view thereof;  
FIG. 3 is a front elevation view thereof;  
FIG. 4 is a rear elevation view thereof;  
FIG. 5 is a right-side elevation view thereof;  
FIG. 6 is a left-side elevation view thereof;  
FIG. 7 is a top plan view thereof;  
FIG. 8 is a bottom plan view thereof; and,  
FIG. 9 is a partial cross-sectional view of a portion of a sidewall thereof, as designated in FIG. 7.  
The broken lines shown in the figures are included for the purpose of illustrating environment and forms no part of the claimed design.

(56) **References Cited**

U.S. PATENT DOCUMENTS

830,182 A	9/1906	Skov
1,426,211 A	8/1922	Pausin
1,461,253 A	7/1923	Owen
1,754,802 A	4/1930	Raster
1,820,555 A	8/1931	Buschman
1,891,651 A	12/1932	Padelford et al.
1,922,729 A	8/1933	Geibel
1,980,938 A	11/1934	Geibel
2,308,326 A	1/1943	Calcagno
D148,825 S	2/1948	Snider
2,457,274 A	12/1948	Rifken
2,759,625 A	8/1956	Ritter

**1 Claim, 8 Drawing Sheets**



(56)

References Cited

U.S. PATENT DOCUMENTS

3,023,922 A	3/1962	Arrington et al.	5,156,290 A	10/1992	Rodrigues
3,137,408 A	6/1964	Taylor	5,170,904 A	12/1992	Neuhaus
3,654,534 A	4/1972	Fischer	5,174,462 A	12/1992	Hames
3,800,503 A	4/1974	Maki	D335,562 S	5/1993	Evans
3,820,200 A	6/1974	Myers	5,213,272 A	5/1993	Gallagher et al.
3,825,150 A	7/1974	Taylor	5,222,704 A	6/1993	Light
3,825,215 A	7/1974	Borglum	D337,181 S	7/1993	Warman
3,886,425 A	5/1975	Weiss	5,226,558 A	7/1993	Whitney et al.
3,888,406 A	6/1975	Nippes	5,230,525 A	7/1993	Delmerico et al.
3,891,115 A	6/1975	Ono	5,242,074 A	9/1993	Conaway et al.
4,014,457 A	3/1977	Hodge	D340,333 S	10/1993	Duran et al.
4,027,774 A	6/1977	Cote	5,249,693 A	10/1993	Gillispie et al.
4,081,105 A	3/1978	Dagonnet et al.	5,261,553 A	11/1993	Mueller et al.
4,189,808 A	2/1980	Brown	5,265,511 A	11/1993	Itzov
4,200,197 A	4/1980	Meyer et al.	5,295,607 A	3/1994	Chang
4,217,616 A	8/1980	Jessup	5,305,916 A	4/1994	Suzuki et al.
4,303,174 A	12/1981	Anderson	5,314,151 A	5/1994	Carter-Mann
4,320,851 A	3/1982	Montoya	5,322,179 A	6/1994	Ting
4,349,123 A	9/1982	Yang	5,329,212 A	7/1994	Feigleson
4,357,740 A	11/1982	Brown	5,348,222 A	9/1994	Patey
4,416,197 A	11/1983	Kehl	5,353,950 A	10/1994	Taylor et al.
4,417,669 A	11/1983	Knowles et al.	5,372,272 A	12/1994	Jennings
4,457,483 A	7/1984	Gagne	5,381,588 A	1/1995	Nelson
4,535,911 A	8/1985	Goulter	5,385,258 A	1/1995	Sutherlin
4,570,304 A	2/1986	Montreuil et al.	5,390,818 A	2/1995	LaBuda
4,576,310 A	3/1986	Isgar et al.	5,404,621 A	4/1995	Heinke
D284,320 S	6/1986	Kubic et al.	5,407,089 A	4/1995	Bird et al.
4,609,117 A	9/1986	Pamment	5,419,452 A	5/1995	Mueller et al.
4,630,332 A	12/1986	Bisbing	5,471,708 A	12/1995	Lynch
4,630,752 A	12/1986	DeMars	5,474,201 A	12/1995	Liu
4,664,347 A	5/1987	Brown et al.	5,501,358 A	3/1996	Hobday
4,697,312 A	10/1987	Freyer	5,520,067 A	5/1996	Gaba
4,711,161 A	12/1987	Swin et al.	5,520,303 A	5/1996	Bernstein et al.
4,729,490 A	3/1988	Ziegenbein	5,531,348 A	7/1996	Baker et al.
4,753,367 A	6/1988	Miller et al.	5,535,913 A	7/1996	Asbach et al.
4,763,808 A	8/1988	Guhl et al.	5,558,254 A	9/1996	Anderson et al.
4,765,548 A	8/1988	Sing	5,584,412 A	12/1996	Wang
4,765,579 A	8/1988	Robbins, III et al.	D377,554 S	1/1997	Adriaansen
4,785,964 A	11/1988	Miller et al.	5,611,507 A	3/1997	Smith
4,792,039 A	12/1988	Dayton	5,628,424 A	5/1997	Gola
4,794,973 A	1/1989	Perisic	5,632,401 A	5/1997	Hurd
4,813,592 A *	3/1989	Stolzman ..... B65D 15/08 220/618	5,636,416 A	6/1997	Anderson
			5,636,761 A *	6/1997	Diamond ..... B65D 83/38 220/619
4,823,979 A	4/1989	Clark, Jr.	5,644,111 A	7/1997	Cerny et al.
4,834,260 A	5/1989	Auten	5,645,186 A	7/1997	Powers et al.
4,863,053 A	9/1989	Oberg	5,650,680 A	7/1997	Chula
4,867,339 A	9/1989	Hahn	D383,277 S	9/1997	Peters
4,869,391 A	9/1989	Farrington	5,662,235 A	9/1997	Nieto
4,884,717 A	12/1989	Bussard et al.	5,671,847 A	9/1997	Pedersen et al.
4,892,223 A	1/1990	DeMent	5,690,247 A	11/1997	Boover
4,892,224 A	1/1990	Graham	5,695,088 A	12/1997	Kasbohm
4,913,308 A	4/1990	Culbertson	5,699,929 A	12/1997	Ouno
4,915,347 A	4/1990	Iqbal et al.	D388,922 S	1/1998	Peters
4,918,568 A	4/1990	Stone et al.	D389,631 S	1/1998	Peters
D308,272 S	5/1990	Koepsell	5,704,511 A	1/1998	Kellams
4,923,087 A	5/1990	Burrows	5,724,837 A	3/1998	Shin
4,944,419 A	7/1990	Chandler	5,730,312 A	3/1998	Hung
4,948,004 A	8/1990	Chich	5,732,845 A	3/1998	Armaly, Jr.
4,964,523 A	10/1990	Bieltvedt et al.	5,735,495 A	4/1998	Kubota
4,972,966 A	11/1990	Craft, Jr.	5,738,239 A	4/1998	Triglia
4,996,467 A	2/1991	Day	5,799,909 A	9/1998	Ziegler
5,031,793 A	7/1991	Chen et al.	5,816,431 A	10/1998	Giannopoulos
5,048,903 A	9/1991	Loblein	5,816,640 A	10/1998	Nishimura
5,054,724 A	10/1991	Hutcheson	D401,383 S	11/1998	Gish
5,065,272 A	11/1991	Owen et al.	D401,719 S	11/1998	Van Leeuwen et al.
5,065,891 A	11/1991	Casey	5,873,643 A	2/1999	Burgess, Jr. et al.
5,076,462 A	12/1991	Perrone	5,881,896 A	3/1999	Presnell et al.
D323,573 S	1/1992	Schneider	5,881,901 A	3/1999	Hampton
5,090,585 A	2/1992	Power	5,884,237 A	3/1999	Kanki et al.
5,090,785 A	2/1992	Stamp	5,887,748 A	3/1999	Nguyen
5,100,087 A	3/1992	Ashby	5,961,105 A	10/1999	Ehrnsberger et al.
5,111,958 A	5/1992	Witthoeft	5,967,392 A	10/1999	Niemi et al.
D327,760 S	7/1992	Donnelly	5,987,708 A	11/1999	Newton
D329,929 S	9/1992	Knoedler et al.	6,000,569 A	12/1999	Liu
5,147,055 A	9/1992	Samson et al.	6,010,024 A	1/2000	Wang
			6,024,238 A	2/2000	Jaros
			6,036,050 A	3/2000	Ruane
			6,102,239 A	8/2000	Wien

(56)

## References Cited

## U.S. PATENT DOCUMENTS

6,105,859	A	8/2000	Stafford	D539,499	S	3/2007	Yang et al.
6,123,215	A	9/2000	Windle	D540,001	S	4/2007	Zimmerman
D431,700	S	10/2000	Roudebush	D542,001	S	5/2007	Yang et al.
6,126,031	A	10/2000	Reason	D542,995	S	5/2007	Lin
6,129,233	A	10/2000	Schiller	D543,673	S	5/2007	Yang et al.
6,131,861	A	10/2000	Fortier, Jr. et al.	D544,170	S	6/2007	Lin
D435,951	S	1/2001	Yang et al.	D544,171	S	6/2007	Lin
6,209,744	B1	4/2001	Gill	D544,671	S	6/2007	Saunders et al.
6,211,637	B1	4/2001	Studer	D545,024	S	6/2007	Liao
6,234,339	B1	5/2001	Thomas	7,225,943	B2	6/2007	Yang et al.
6,250,492	B1	6/2001	Verbeek	D547,020	S	7/2007	Chen
D445,980	S	7/2001	Tjugum	7,243,811	B1	7/2007	Ramsey
6,286,706	B1	9/2001	Tucker	D550,918	S	9/2007	Wang et al.
6,328,320	B1	12/2001	Walski et al.	D552,319	S	10/2007	Gusdorf
6,345,725	B1	2/2002	Lin	D552,321	S	10/2007	Yang et al.
6,364,147	B1	4/2002	Meinzinger et al.	D552,823	S	10/2007	Yang et al.
6,386,386	B1	5/2002	George	D552,824	S	10/2007	Zimmerman
6,390,321	B1	5/2002	Wang	D552,825	S	10/2007	Yang et al.
6,401,958	B1	6/2002	Foss et al.	D555,320	S	11/2007	Yang et al.
6,519,130	B1	2/2003	Breslow	D559,494	S	1/2008	Yang et al.
6,557,716	B1	5/2003	Chan	D559,495	S	1/2008	Yang et al.
D476,456	S	6/2003	Englert et al.	D562,522	S	2/2008	Daams
6,596,983	B2	7/2003	Brent	7,328,842	B2	2/2008	Wagner et al.
6,626,316	B2	9/2003	Yang	D564,169	S	3/2008	Wang
6,626,317	B2	9/2003	Pfiefer et al.	D564,723	S	3/2008	Yang et al.
6,632,064	B1	10/2003	Walker et al.	D566,367	S	4/2008	Lin
D482,169	S	11/2003	Lin	D566,369	S	4/2008	Shek
6,659,407	B2	12/2003	Asaro	D566,923	S	4/2008	Lin
6,681,950	B2	1/2004	Miller, Jr. et al.	D567,468	S	4/2008	Yang et al.
D488,604	S	4/2004	Yang et al.	D568,572	S	5/2008	Yang et al.
D488,903	S	4/2004	Yang et al.	7,374,060	B2	5/2008	Yang et al.
D489,503	S	5/2004	Lin	D571,520	S	6/2008	Lin
D489,857	S	5/2004	Yang et al.	7,395,990	B1	7/2008	Stevens
D490,583	S	5/2004	Yang et al.	7,398,913	B2	7/2008	McClure
D490,954	S	6/2004	Brand	7,404,499	B1	7/2008	Ramsey
D491,706	S	6/2004	Yang et al.	D574,569	S	8/2008	Yang et al.
6,758,366	B2	7/2004	Bourgund et al.	D576,371	S	9/2008	Zimmerman
D493,930	S	8/2004	Wang	D578,265	S	10/2008	Presnell
D494,723	S	8/2004	Lin	D578,266	S	10/2008	Yang et al.
6,812,655	B1	11/2004	Wang et al.	D578,268	S	10/2008	Yang et al.
6,814,249	B2	11/2004	Lin	D578,722	S	10/2008	Yang et al.
D499,450	S	12/2004	Goodman et al.	7,438,199	B1	10/2008	Tidrick
6,837,393	B1	1/2005	Kuo	D580,120	S	11/2008	Lin
6,857,538	B2	2/2005	Lin	D580,613	S	11/2008	Yang et al.
6,859,005	B2	2/2005	Boliver	D580,615	S	11/2008	Yang et al.
D503,021	S	3/2005	Yang et al.	D581,622	S	11/2008	Presnell et al.
6,866,826	B2	3/2005	Moore et al.	D584,470	S	1/2009	Bizzell et al.
6,883,676	B2	4/2005	Lin	D585,171	S	1/2009	Bizzell et al.
D507,090	S	7/2005	Yang et al.	D585,618	S	1/2009	Yang et al.
6,920,994	B2	7/2005	Lin	D586,070	S	2/2009	Lin
6,974,948	B1	12/2005	Brent	7,494,021	B2	2/2009	Yang et al.
D513,445	S	1/2006	Lin	D587,874	S	3/2009	Lin
6,981,606	B2	1/2006	Yang et al.	D593,271	S	5/2009	Yang et al.
D517,764	S	3/2006	Wang	7,540,396	B2	6/2009	Yang et al.
D517,767	S	3/2006	Yang et al.	7,543,716	B2	6/2009	Lin
D518,266	S	3/2006	Yang et al.	7,559,433	B2	7/2009	Yang et al.
7,017,773	B2	3/2006	Gruber et al.	D599,074	S	8/2009	Bizzell et al.
7,044,323	B2	5/2006	Yang	D603,119	S	10/2009	Yang et al.
D525,756	S	7/2006	Yang et al.	7,607,552	B2	10/2009	Efstathiou
7,073,677	B2	7/2006	Richardson et al.	D604,472	S	11/2009	Blanks et al.
7,077,283	B2	7/2006	Yang et al.	7,614,519	B2	11/2009	Krauth et al.
7,080,750	B2	7/2006	Wein et al.	7,621,420	B2	11/2009	Bandoh et al.
7,086,550	B2	8/2006	Yang et al.	7,656,109	B2	2/2010	Yang et al.
D528,726	S	9/2006	Lin	D611,216	S	3/2010	Yang et al.
7,121,421	B2	10/2006	Yang et al.	D611,217	S	3/2010	Bizzell et al.
D531,499	S	11/2006	Zaidman	D611,671	S	3/2010	Yang et al.
D535,799	S	1/2007	Epps	7,694,838	B2	4/2010	Yang et al.
D535,800	S	1/2007	Yang et al.	7,703,622	B1	4/2010	Bynoe
7,168,591	B1	1/2007	Miller	D615,270	S	5/2010	Yang et al.
D537,223	S	2/2007	Lin	D615,722	S	5/2010	Yang et al.
D537,599	S	2/2007	Lin	7,712,285	B2	5/2010	Stravitz et al.
D537,601	S	2/2007	Lin	7,741,801	B2	6/2010	Fukuizumi
D537,999	S	3/2007	Lin	7,748,556	B2	7/2010	Yang et al.
D538,995	S	3/2007	Lin	7,781,995	B2	8/2010	Yang et al.
D539,498	S	3/2007	Yang et al.	D623,817	S	9/2010	Yang et al.
				D625,068	S	10/2010	Shannon
				7,806,285	B2	10/2010	Yang et al.
				D627,533	S	11/2010	Yang et al.
				D627,944	S	11/2010	Wang et al.

(56)

References Cited

U.S. PATENT DOCUMENTS

D629,172 S 12/2010 Liao  
 D630,404 S 1/2011 Yang et al.  
 D631,221 S 1/2011 Yang et al.  
 D632,864 S 2/2011 Yang et al.  
 D634,911 S 3/2011 Yang et al.  
 D635,319 S 3/2011 Meyerhoffer  
 7,896,187 B2 3/2011 Haibel  
 7,922,024 B2 4/2011 Yang et al.  
 7,950,543 B2 5/2011 Yang et al.  
 D644,390 S 8/2011 Smeets et al.  
 7,992,742 B1 8/2011 Kim  
 8,006,857 B2 8/2011 Lin  
 D644,806 S 9/2011 Yang et al.  
 D644,807 S 9/2011 Yang et al.  
 D649,728 S 11/2011 Campbell  
 8,074,833 B2 12/2011 Yang et al.  
 8,096,445 B2 1/2012 Yang et al.  
 8,136,688 B2 3/2012 Lee et al.  
 D657,108 S 4/2012 Yang et al.  
 D657,109 S 4/2012 Liao  
 8,297,470 B2 10/2012 Yang et al.  
 8,317,055 B2 11/2012 Zawrotny et al.  
 D672,520 S 12/2012 Yang et al.  
 D673,750 S 1/2013 Quan  
 D675,802 S 2/2013 Yang et al.  
 D675,803 S 2/2013 Yang et al.  
 8,418,869 B2 4/2013 Yang et al.  
 D689,255 S 9/2013 Sun Ting Kung et al.  
 8,567,630 B2 10/2013 Yang et al.  
 8,569,980 B2 10/2013 Yang et al.  
 8,575,537 B2 11/2013 Yao et al.  
 8,672,171 B2 3/2014 Wynn et al.  
 8,678,219 B1 3/2014 Wang et al.  
 8,686,676 B2 4/2014 Yang et al.  
 8,716,969 B2 5/2014 Yang et al.  
 8,720,728 B2 5/2014 Yang et al.  
 8,766,582 B2 7/2014 Yang et al.  
 8,807,378 B2 8/2014 Kaberna  
 8,807,379 B1 8/2014 Hammond  
 D714,510 S 9/2014 Yang et al.  
 D716,015 S 10/2014 van de Leest  
 8,872,459 B2 10/2014 Yang et al.  
 D725,861 S 3/2015 Yang et al.  
 D730,008 S 5/2015 Yang et al.  
 9,051,093 B2 6/2015 Yang et al.  
 2001/0002690 A1 6/2001 Rosky  
 2001/0020619 A1 9/2001 Pfeifer et al.  
 2002/0092853 A1 7/2002 Wang  
 2002/0096523 A1 7/2002 Pyles  
 2002/0096524 A1 7/2002 Hardesty  
 2002/0104266 A1 8/2002 Ranaudo  
 2002/0116924 A1 8/2002 Winkelmann et al.  
 2003/0089719 A1 5/2003 Berger  
 2003/0102316 A1 6/2003 Forest  
 2003/0201265 A1 10/2003 Lin  
 2003/0205979 A1 11/2003 Papari et al.  
 2003/0230576 A1 12/2003 Lin  
 2004/0016756 A1 1/2004 Lin  
 2004/0134924 A1 7/2004 Hansen et al.  
 2004/0140782 A1 7/2004 Okabe et al.  
 2004/0164077 A1 8/2004 Kuo  
 2004/0174268 A1 9/2004 Scott et al.  
 2004/0175303 A1 9/2004 Lin  
 2004/0199401 A1 10/2004 Wagner  
 2004/0200938 A1 10/2004 Forlivio  
 2004/0206758 A1 10/2004 Lin  
 2004/0206760 A1 10/2004 Gagnebin  
 2004/0251746 A1 12/2004 Ichimaru et al.  
 2005/0017006 A1 1/2005 Kuo  
 2005/0017010 A1 1/2005 Siegel et al.  
 2005/0029281 A1 2/2005 Westermann et al.  
 2005/0258177 A1 11/2005 Woodson  
 2005/0258794 A1 11/2005 Fukuizumi  
 2006/0027579 A1 2/2006 Yang et al.  
 2006/0103086 A1 5/2006 Niemeyer et al.

2006/0163257 A1 7/2006 Golbert  
 2006/0175336 A1 8/2006 Wang  
 2006/0186121 A1 8/2006 Yang et al.  
 2006/0196874 A1 9/2006 Yang  
 2006/0237641 A1\* 10/2006 Moeller ..... H01J 49/14  
 250/288  
 2006/0249510 A1 11/2006 Lin  
 2006/0278643 A1 12/2006 Chiou  
 2007/0012699 A1 1/2007 Yang et al.  
 2007/0034334 A1 2/2007 Ramsey et al.  
 2007/0045326 A1 3/2007 Tramontina et al.  
 2007/0090112 A1 4/2007 Kalman et al.  
 2007/0114847 A1 5/2007 Ichimaru et al.  
 2007/0181579 A1 8/2007 Kuo et al.  
 2007/0209846 A1 9/2007 Wilson  
 2007/0215622 A1 9/2007 Perez  
 2007/0241109 A1 10/2007 Lin  
 2007/0266637 A1 11/2007 McGowan  
 2007/0272691 A1 11/2007 Wang et al.  
 2007/0289972 A1 12/2007 Wynn et al.  
 2008/0011754 A1 1/2008 Ramsey  
 2008/0011910 A1 1/2008 Ramsey  
 2008/0041863 A1 2/2008 Forest  
 2008/0083756 A1 4/2008 Daniels  
 2008/0099274 A1 5/2008 Seel  
 2008/0128428 A1 6/2008 Beckerman  
 2008/0164257 A1\* 7/2008 Boll ..... B65F 1/08  
 220/264  
 2008/0236275 A1 10/2008 Breed et al.  
 2008/0257889 A1 10/2008 Kovacevich et al.  
 2008/0257890 A1 10/2008 Kovacevich et al.  
 2008/0257891 A1 10/2008 Kovacevich et al.  
 2008/0264948 A1 10/2008 Kovacevich et al.  
 2008/0264950 A1 10/2008 Kovacevich et al.  
 2008/0272119 A1 11/2008 Efstathiou  
 2008/0272127 A1 11/2008 Kovacevich et al.  
 2009/0084788 A1 4/2009 Yang et al.  
 2009/0136341 A1 5/2009 Kenyon  
 2009/0230131 A1 9/2009 McDuffie et al.  
 2009/0261105 A1 10/2009 Cunningham et al.  
 2009/0266836 A1 10/2009 Mobley  
 2010/0006572 A1 1/2010 Chiou  
 2010/0084235 A1 4/2010 Lu  
 2010/0096894 A1 4/2010 Fukai  
 2010/0122985 A1 5/2010 Peters et al.  
 2010/0147865 A1 6/2010 Yang et al.  
 2010/0170904 A1 7/2010 Kalman et al.  
 2010/0237074 A1 9/2010 Yang et al.  
 2010/0252557 A1 10/2010 Clements  
 2010/0294769 A1 11/2010 Lee et al.  
 2011/0017735 A1 1/2011 Wang et al.  
 2011/0049149 A1 3/2011 Shih  
 2011/0139781 A1 6/2011 Jin et al.  
 2011/0220655 A1 9/2011 Yang et al.  
 2011/0272409 A1 11/2011 Kasbohm  
 2012/0234849 A1 9/2012 Hughes et al.  
 2013/0098913 A1 4/2013 Yang et al.  
 2013/0105487 A1 5/2013 Baik  
 2013/0233857 A1 9/2013 Yang et al.  
 2013/0240592 A1 9/2013 Woodruff  
 2013/0248532 A1 9/2013 Yang et al.  
 2013/0248535 A1\* 9/2013 Wolfe ..... B65D 25/04  
 220/500  
 2013/0300119 A1 11/2013 Anzalon et al.  
 2014/0183193 A1 7/2014 Hammond et al.  
 2014/0246432 A1 9/2014 Yang et al.  
 2014/0246434 A1 9/2014 Yang et al.  
 2014/0345453 A1 11/2014 Oh et al.  
 2015/0251849 A1 9/2015 Yang et al.  
 2015/0259139 A1 9/2015 Yang et al.  
 2015/0259140 A1 9/2015 Yang et al.

FOREIGN PATENT DOCUMENTS

CA 158595 4/2015  
 CA 158685 4/2015  
 CN 303188855 S 4/2015  
 DE 1610087 7/1950  
 DE 822376 11/1951

(56)

References Cited

FOREIGN PATENT DOCUMENTS

DE	1283741	7/1966
DE	8436939	3/1985
DE	9108341	10/1991
DE	4225936	2/1994
DE	19525885	3/1997
DE	19617823	11/1997
DE	19809331	5/1999
DE	29918687	3/2000
DE	19933180	1/2001
DE	10148997	4/2003
DE	20217561	3/2004
EP	0582240	7/1993
EP	0903305 A1	3/1999
EP	0906876 A2	4/1999
EP	1094017 A1	4/2001
EP	1361176 A1	11/2003
EP	1136393 B1	4/2004
EP	1447342 A2	8/2004
EP	1600373 A2	11/2005
EP	1647503 A1	4/2006
EP	1686073 A1	8/2006
EP	1918223 A1	5/2008
FR	2887152	12/2006
GB	191004921	6/1910
GB	2384418	7/2003
JP	02-152670	6/1990
JP	H06-56011	8/1994
JP	06-272888	9/1994
JP	D1300450	5/2007
JP	D1300451	5/2007
JP	D1322056	2/2008
JP	D1398668	10/2010
KR	3003841370000	6/2005
KR	3004095430000	3/2006
KR	3004095430001	7/2006
NL	6908550	12/1970
TW	D112733	9/2006

WO	WO 92/02430 A1	2/1992
WO	WO 96/33671	10/1996
WO	WO 2005/080232 A1	9/2005
WO	WO 2006/079263 A1	8/2006
WO	WO 2009/114495 A1	9/2009
WO	WO 2015/134902 A1	9/2015
WO	WO 2015/138625 A1	9/2015

OTHER PUBLICATIONS

U.S. Appl. No. 14/637,270, filed Mar. 4, 2015, Yang et al.  
 U.S. Appl. No. 14/639,049, filed Mar. 4, 2015, Yang et al.  
 U.S. Appl. No. 14/639,862, filed Mar. 5, 2015, Yang et al.  
 U.S. Appl. No. 29/519,549, filed Mar. 5, 2015, Yang et al.  
 Trento Corner 23 Trash Can, Hailo product webpage, May 2008, [http://www.hallo.de/html/default.asp?site=12\\_71\\_107&lang=en](http://www.hallo.de/html/default.asp?site=12_71_107&lang=en).  
 Search Report for Taiwanese Application No. 103305380, date of research May 12, 2015, in 4 pages.  
 U.S. Appl. No. 14/707,978, filed May 8, 2015.  
 U.S. Appl. No. 14/856,309, filed Sep. 26, 2015, Yang et al.  
 U.S. Appl. No. 29/548,018, filed Dec. 9, 2015, Yang et al.  
 U.S. Appl. No. 29/557,032, filed Mar. 4, 2016, Yang et al.  
 U.S. Appl. No. 29/557,088, filed Mar. 4, 2016, Yang et al.  
 Office Action for Australian Application No. 201514705, dated Sep. 23, 2015, in 2 pages.  
 Office Action for Canadian Application No. 164265, dated Dec. 15, 2015, in 2 pages.  
 Search Report for Taiwanese Application No. 104304908, dated Feb. 15, 2016, in 2 pages.  
 Search Report for Taiwanese Application No. 104304907, dated Feb. 15, 2016, in 2 pages.  
 Office Action for Canadian Application No. 164264, dated Dec. 15, 2015, in 1 page.  
 Office Action for European Application No. 002766881-0001, dated Sep. 14, 2015, in 2 pages.

\* cited by examiner

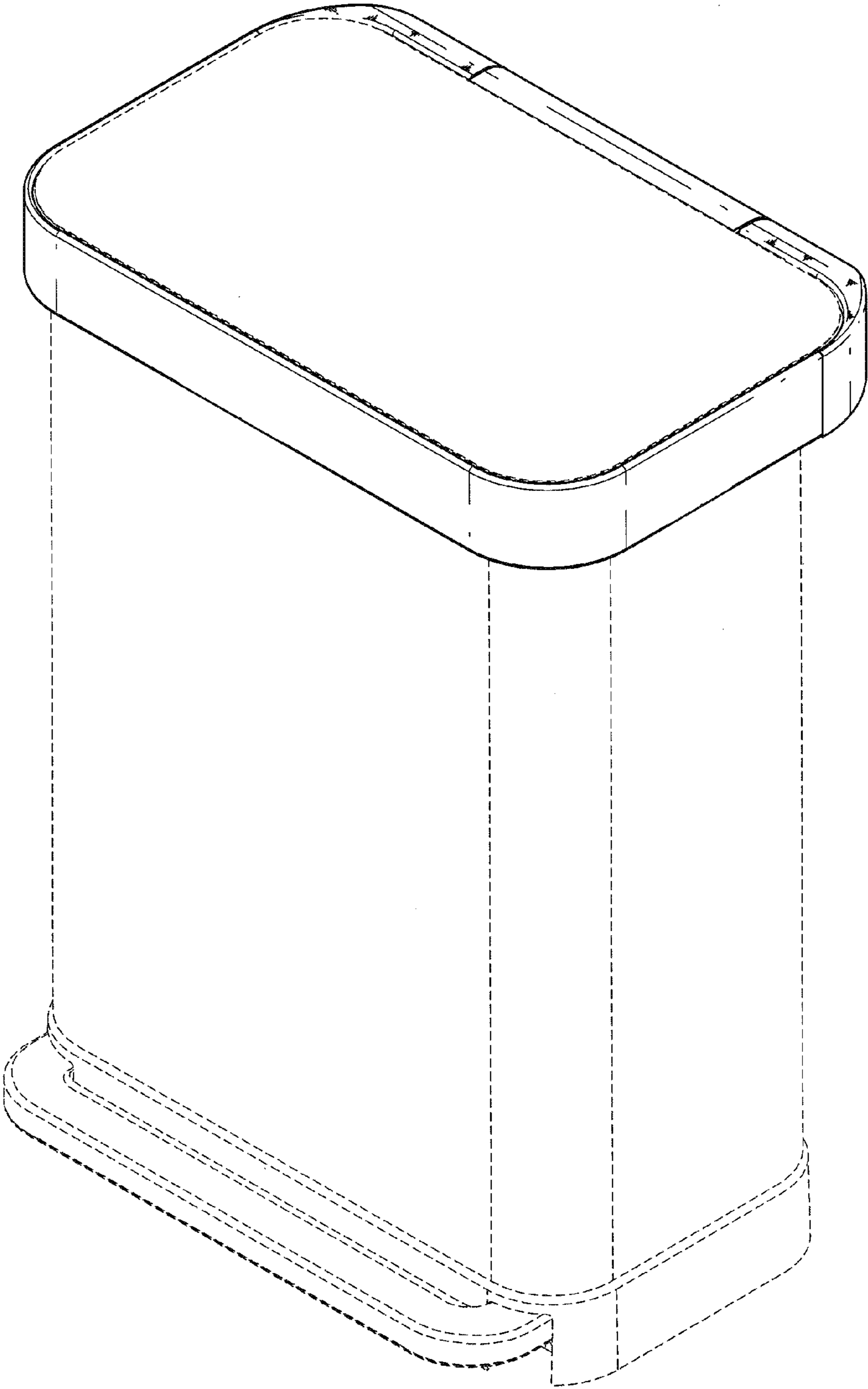


FIG. 1

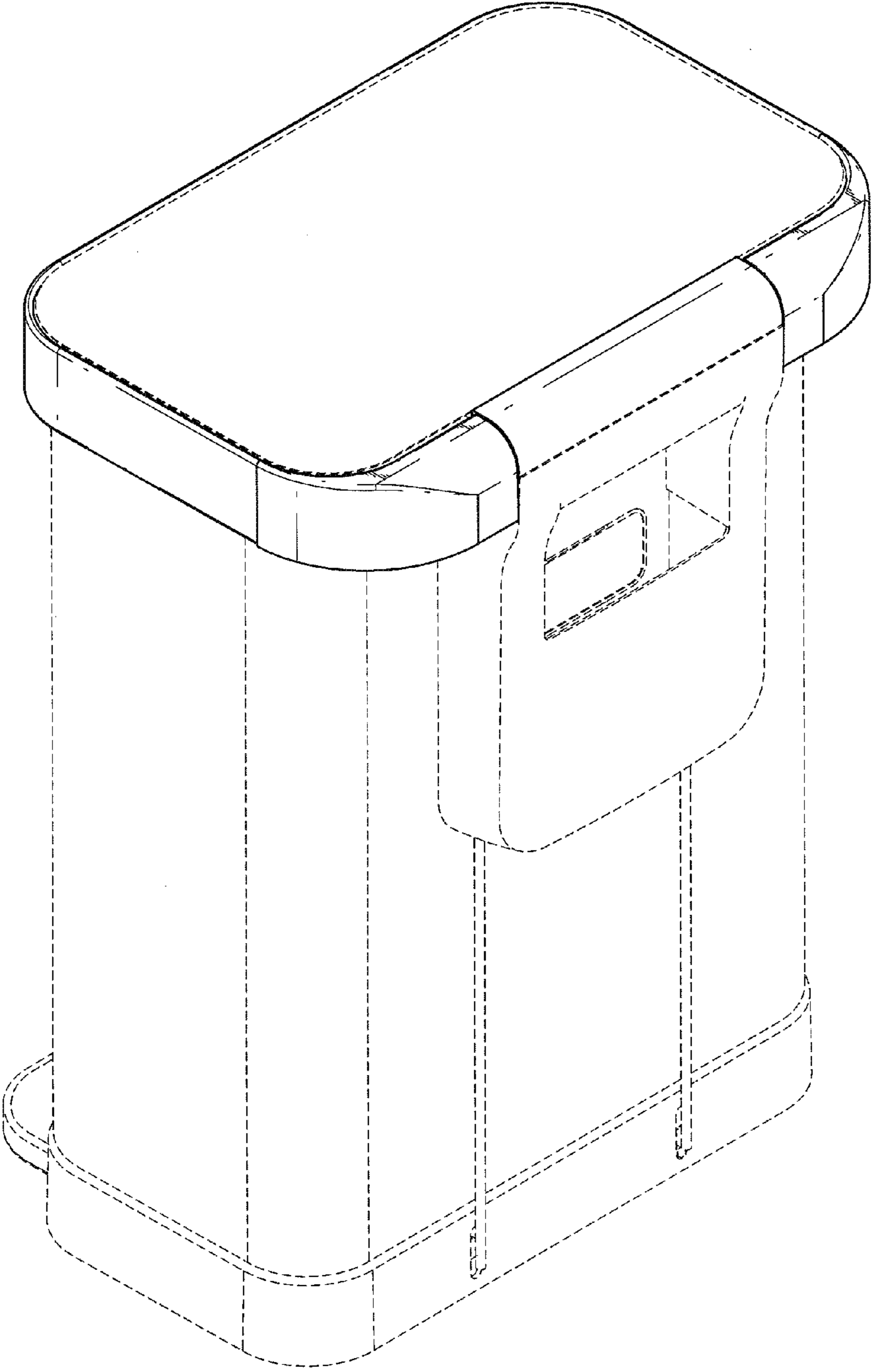


FIG. 2



FIG. 3



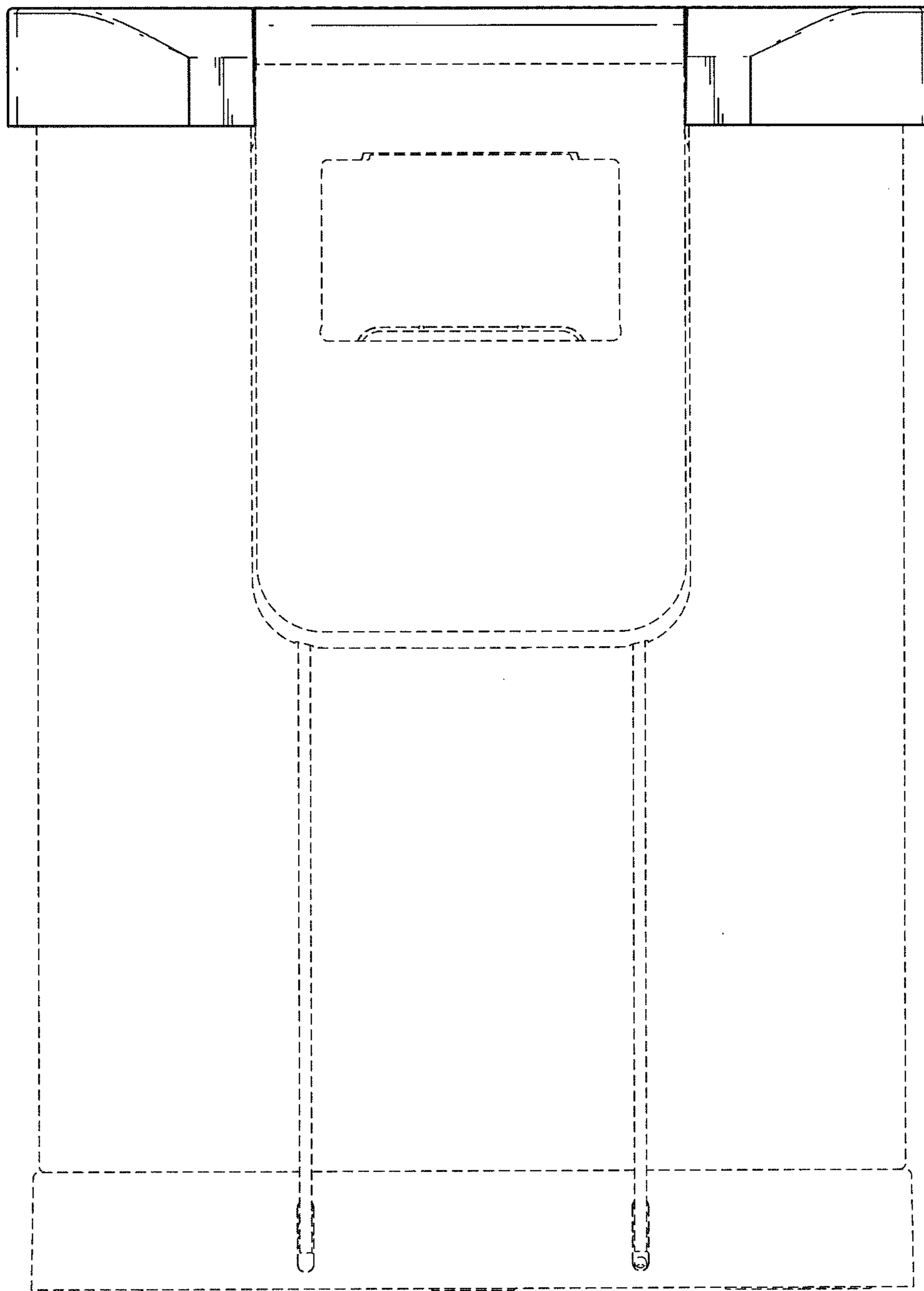


FIG. 4

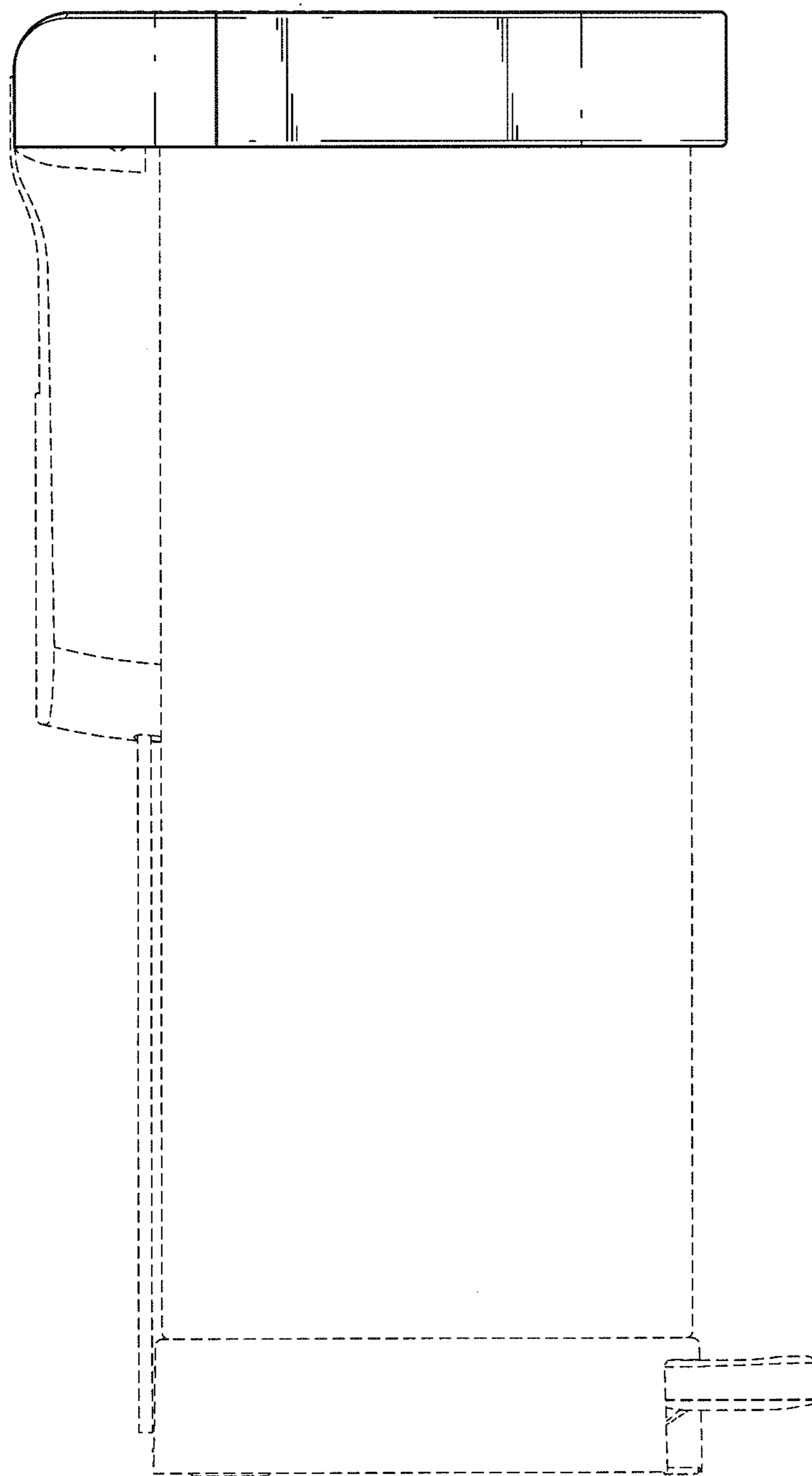


FIG. 5

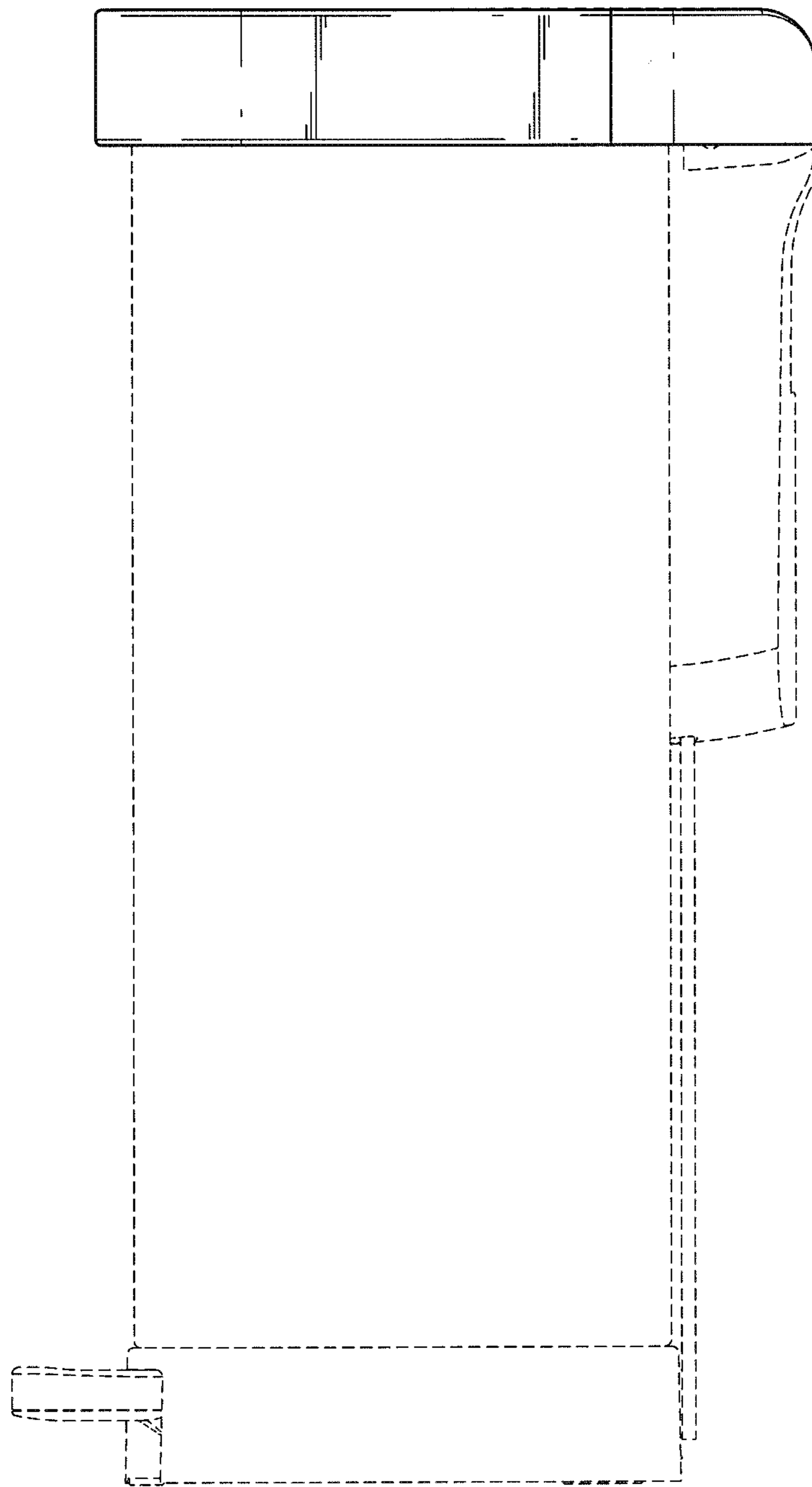


FIG. 6

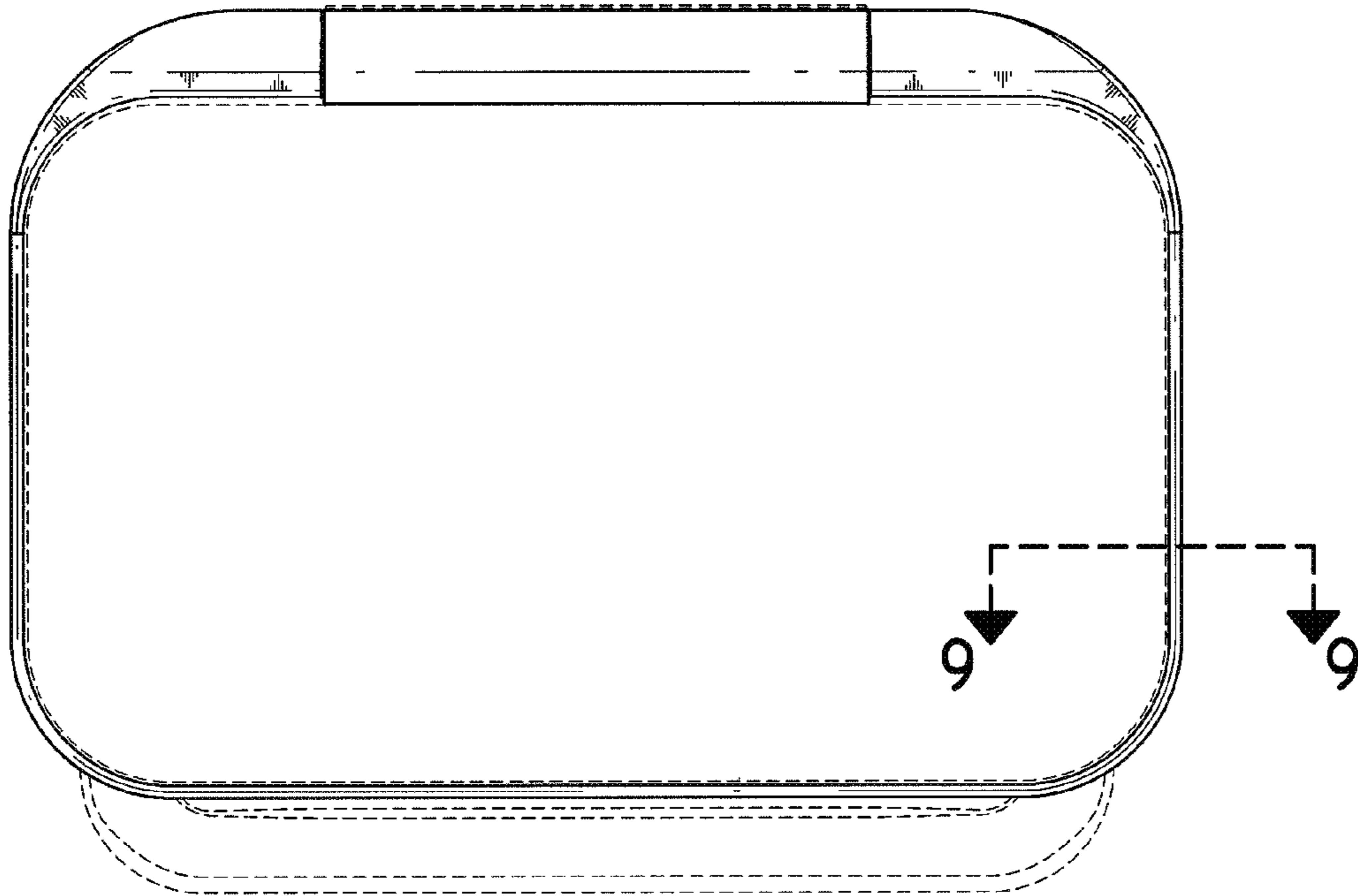


FIG. 7

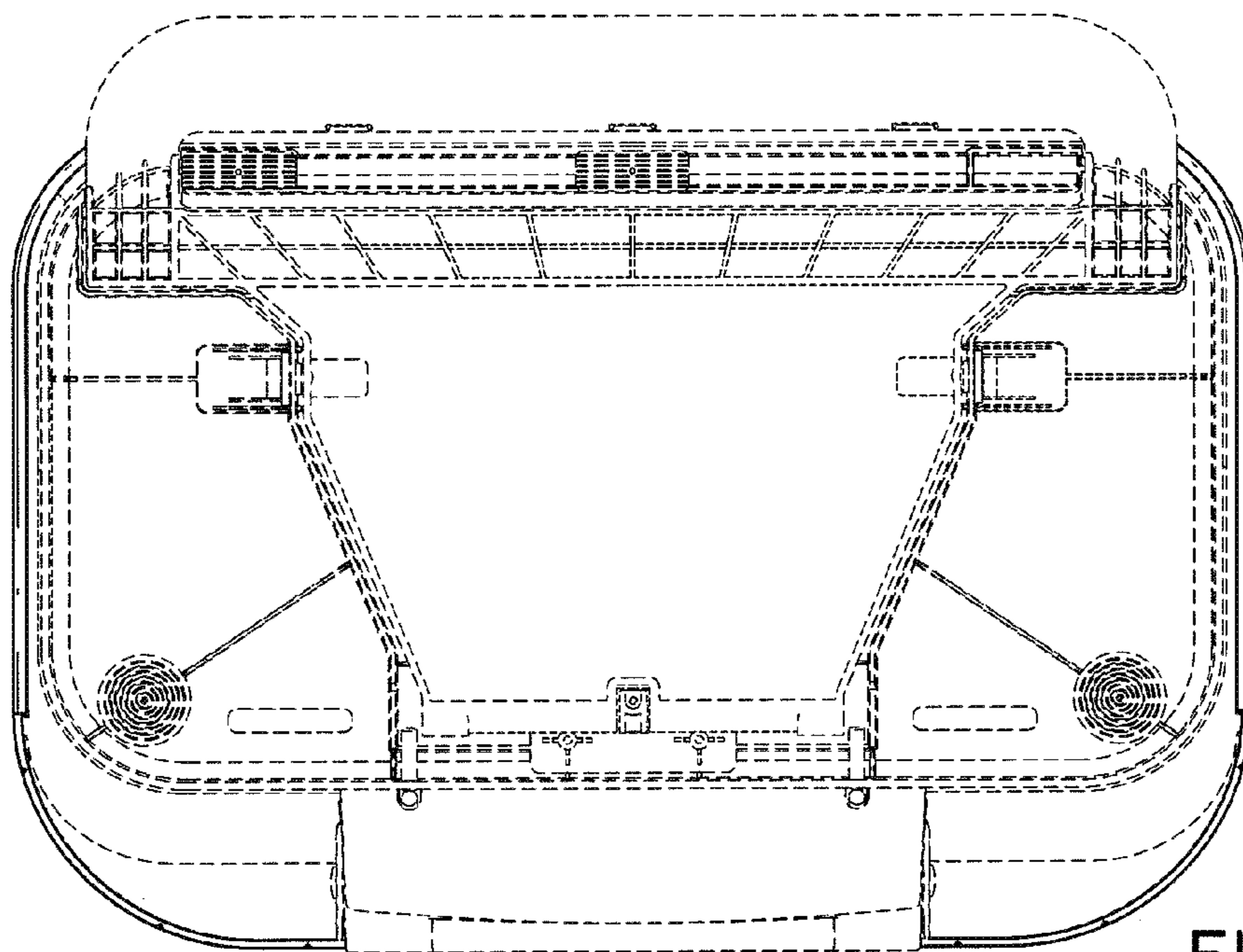


FIG. 8

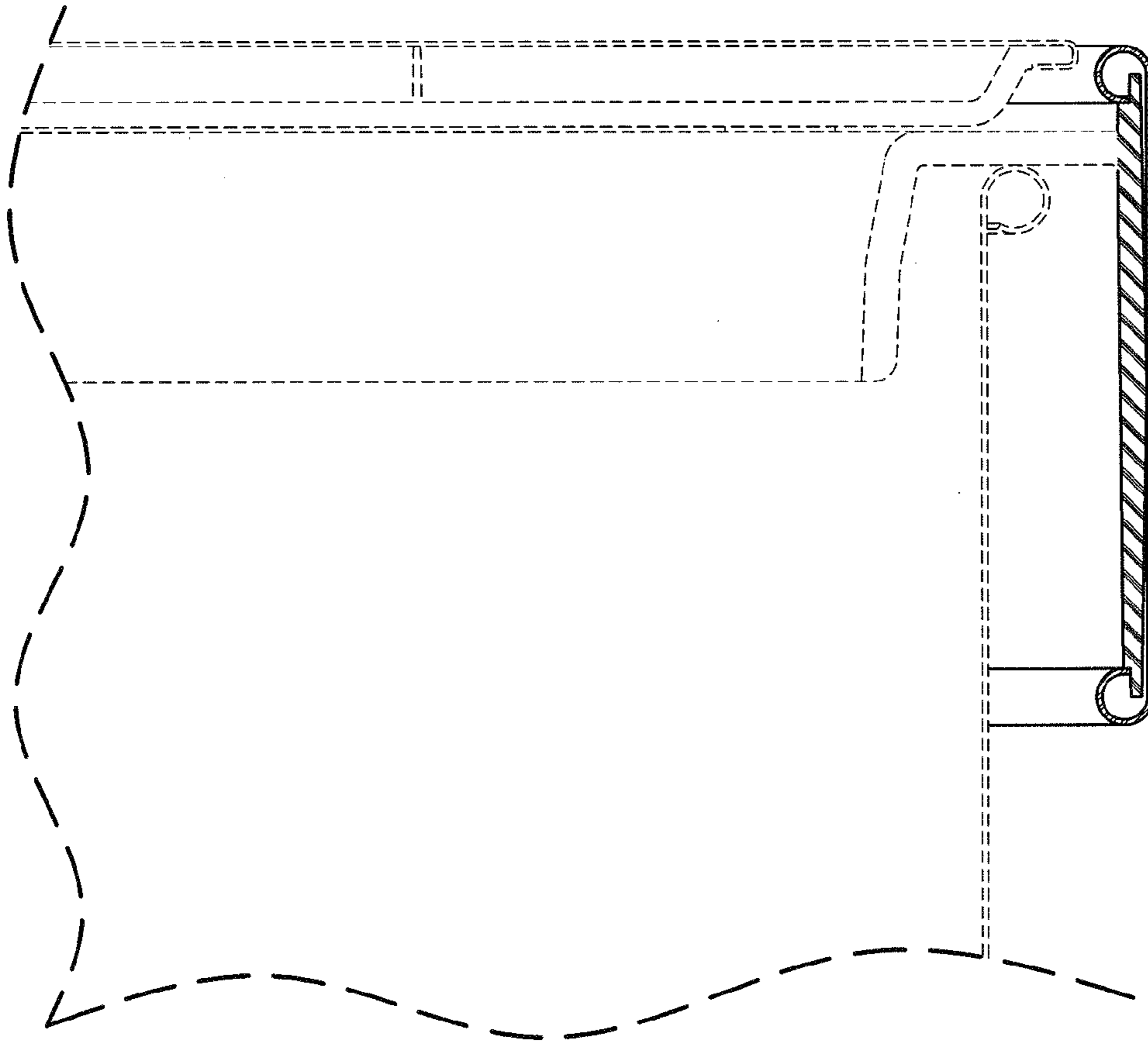


FIG. 9

UNITED STATES PATENT AND TRADEMARK OFFICE  
**CERTIFICATE OF CORRECTION**

PATENT NO. : D759,934 S  
APPLICATION NO. : 29/519551  
DATED : June 21, 2016  
INVENTOR(S) : Frank Yang

Page 1 of 2

It is certified that error appears in the above-identified patent and that said Letters Patent is hereby corrected as shown below:

In the Drawings

On Sheet 8 of 8 (FIG. 9), replace "FIG. 9" with --FIG. 9-- As shown on the attached sheet

Signed and Sealed this  
Twenty-eighth Day of November, 2023



Katherine Kelly Vidal  
*Director of the United States Patent and Trademark Office*

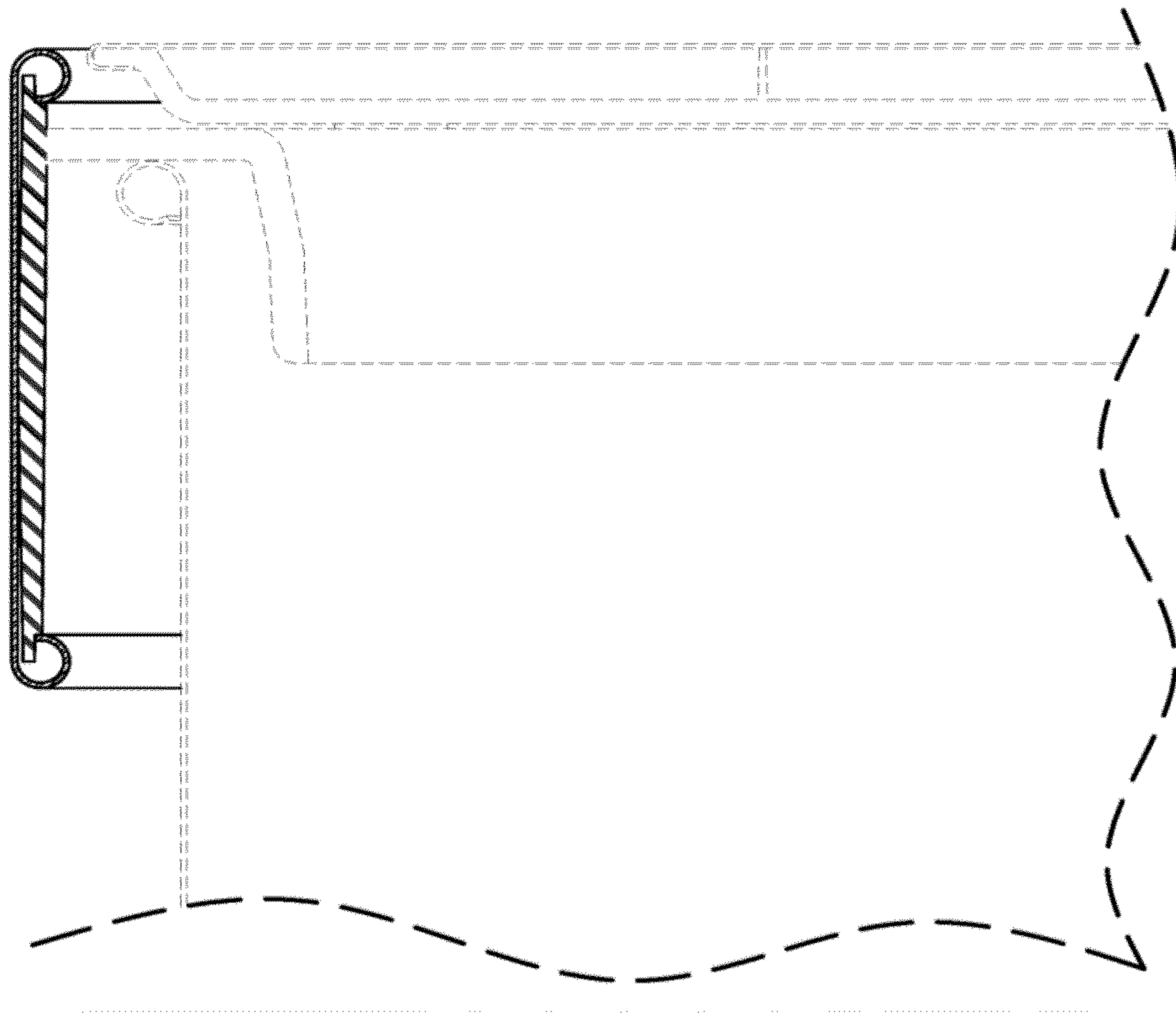


FIG. 9