



US00D759932S

(12) **United States Design Patent**
Lee

(10) **Patent No.:** **US D759,932 S**
(45) **Date of Patent:** **** Jun. 21, 2016**

(54) **WASHBOARD FOR WASHING MACHINE**

(71) Applicant: **Samsung Electronics Co., Ltd.**,
Suwon-si (KR)

(72) Inventor: **Dae-Kyun Lee**, Suwon-si (KR)

(73) Assignee: **SAMSUNG ELECTRONICS CO., LTD.** (KR)

(**) Term: **15 Years**

(21) Appl. No.: **29/532,607**

(22) Filed: **Jul. 8, 2015**

(30) **Foreign Application Priority Data**

Jan. 22, 2015 (KR) 30-2015-0003483

(51) **LOC (10) Cl.** **07-05**

(52) **U.S. Cl.**
USPC **D32/67; D32/25**

(58) **Field of Classification Search**
USPC **D32/25, 67, 53, 53.1, 54**
CPC **D06F 3/02; D06F 3/00; D06F 1/04; G10D 13/06**

See application file for complete search history.

(56) **References Cited**

U.S. PATENT DOCUMENTS

1,556,481	A *	10/1925	St Amour	D06F 3/02 68/214
1,592,103	A *	7/1926	Gunuskey	D06F 3/00 68/63
1,814,698	A *	7/1931	Huber	D06F 1/04 68/233
2,129,079	A *	9/1938	Adams	D06F 3/02 68/223
2,431,539	A *	11/1947	Campanell	D06F 3/02 248/27.5
D153,319	S *	4/1949	Rabinowitz	D32/67
2,504,819	A *	4/1950	Flores	D06F 3/02 68/224

2,704,448	A *	3/1955	Pettit	D06F 3/02 68/229
D189,496	S *	12/1960	Kinyon	D32/67
D193,208	S *	7/1962	Graham	D32/67
3,664,160	A *	5/1972	Muniz	D06F 3/00 68/224
D235,001	S *	4/1975	Sunday	D32/67
D235,002	S *	4/1975	Sunday	D32/67
D237,448	S *	11/1975	Sunday	D32/67
D254,230	S *	2/1980	Sanger	D32/67
D259,993	S *	7/1981	Kunze	D32/67
4,756,439	A *	7/1988	Perock	D06F 1/04 15/264
6,169,237	B1 *	1/2001	Sanders	G10D 13/06 84/102
D549,915	S *	8/2007	Pastrana-Rangel	D32/67

* cited by examiner

Primary Examiner — T. Chase Nelson
Assistant Examiner — Michelle E Wilson
(74) *Attorney, Agent, or Firm* — Cantor Colburn LLP

(57) **CLAIM**
The ornamental design for a washboard for washing machine, as shown and described.

DESCRIPTION

FIG. 1 is a perspective view of a washboard for washing machine, showing my new design;
FIG. 2 is a front view thereof;
FIG. 3 is a rear view thereof;
FIG. 4 is a side view thereof;
FIG. 5 is another side view thereof;
FIG. 6 is a top view thereof;
FIG. 7 is a bottom view thereof;
FIG. 8 is another perspective view thereof in an alternate configuration; and,
FIG. 9 is another perspective view thereof in an environment of use.
The broken lines in the figures are for environmental purposes only and form no part of the claimed design.

1 Claim, 9 Drawing Sheets

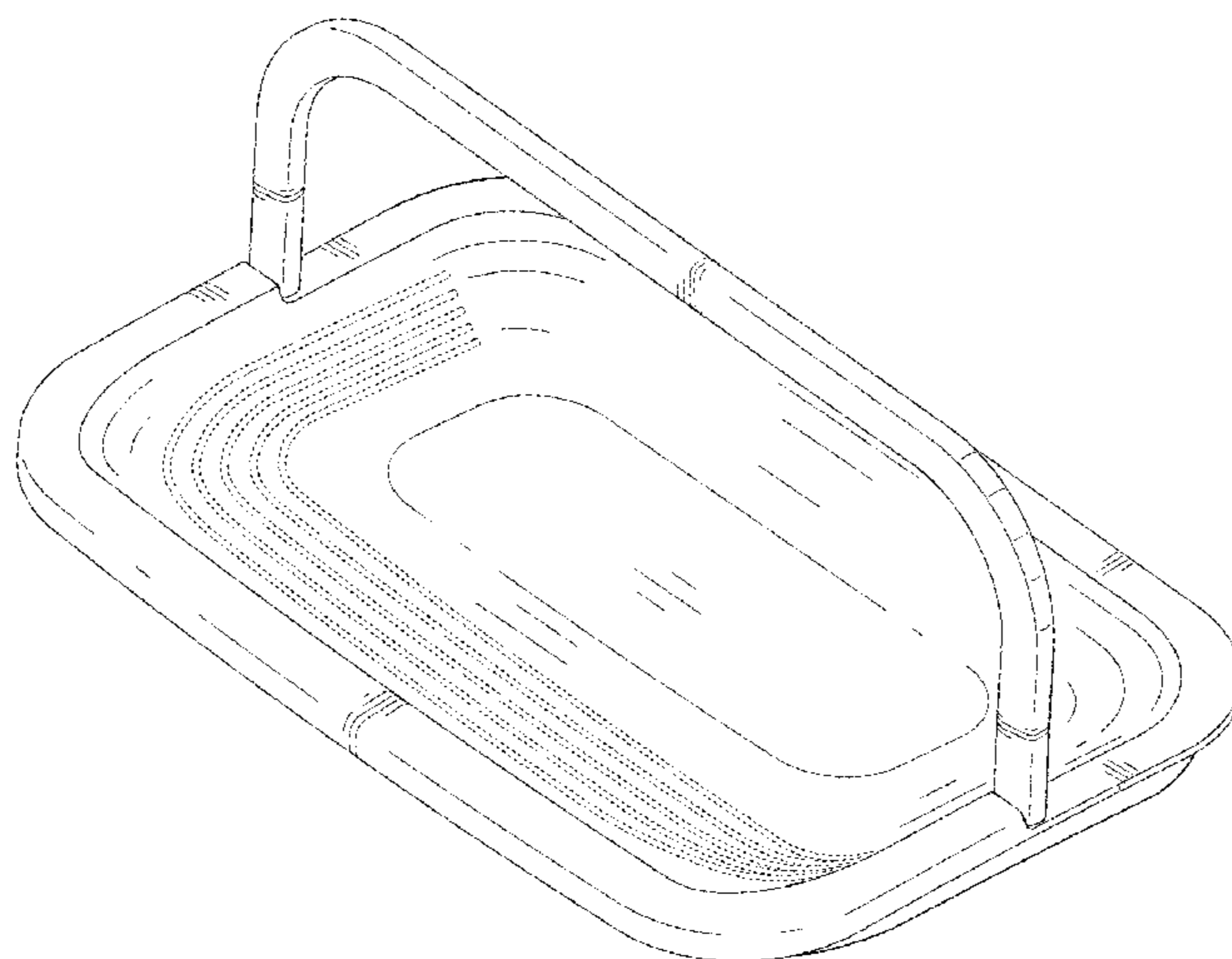


FIG. 1

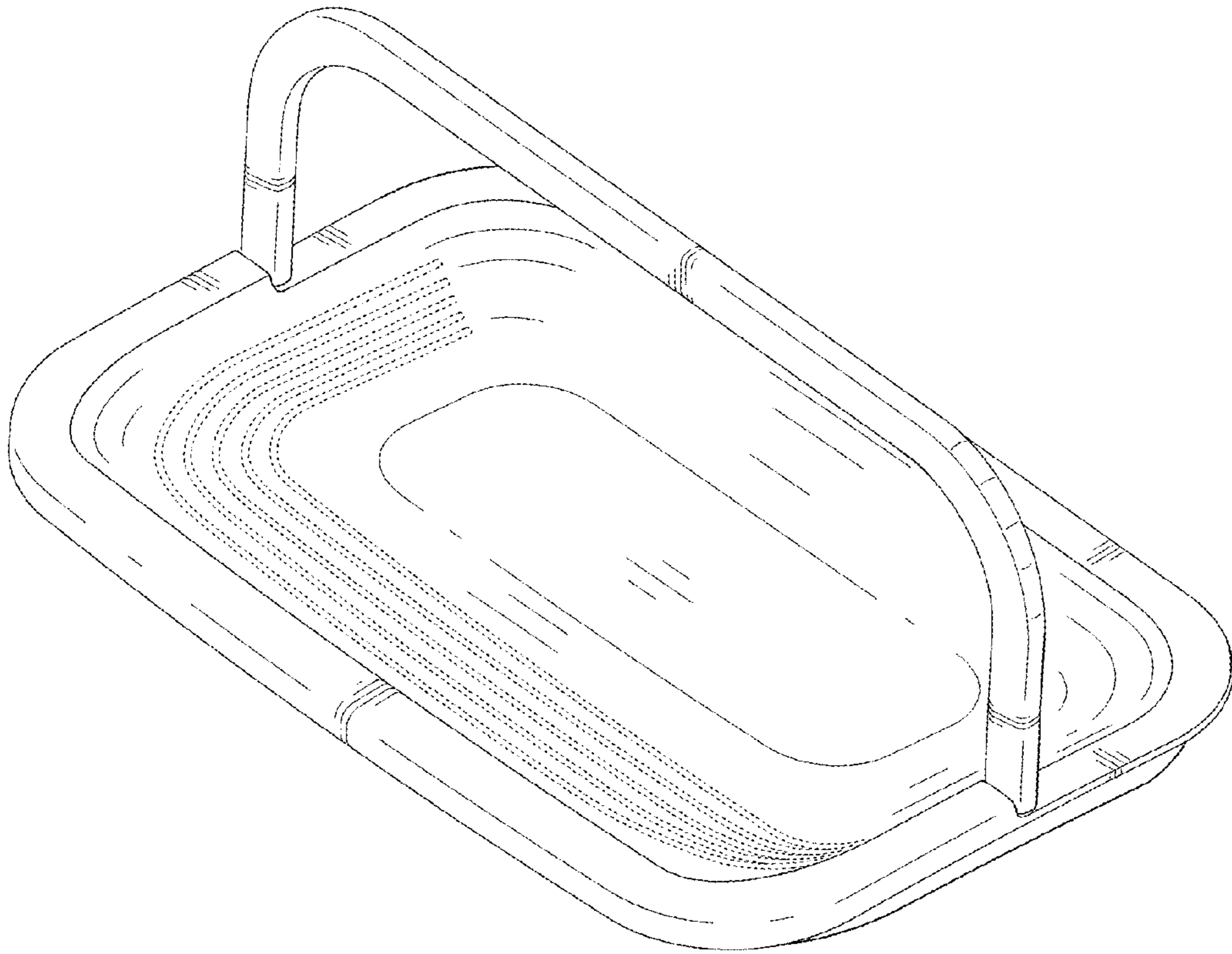


FIG. 2

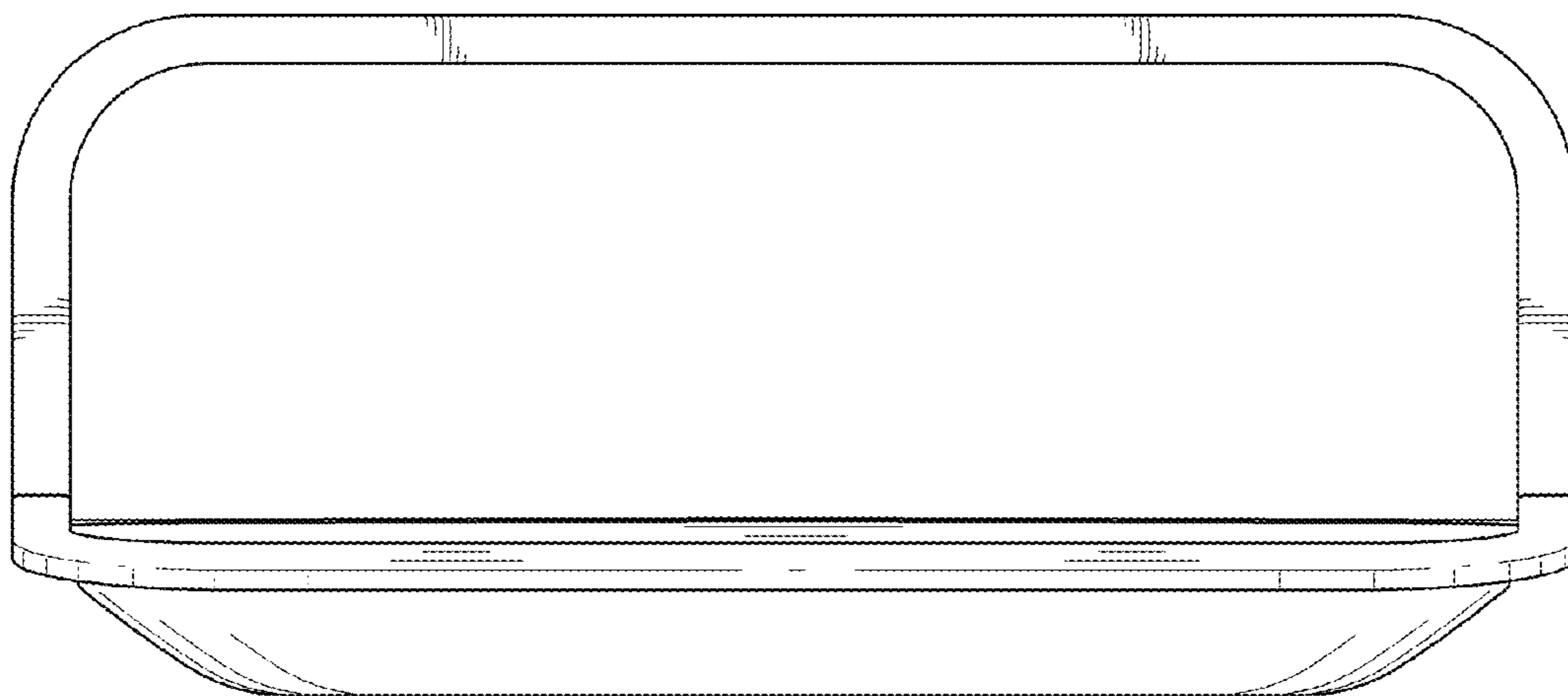


FIG. 3

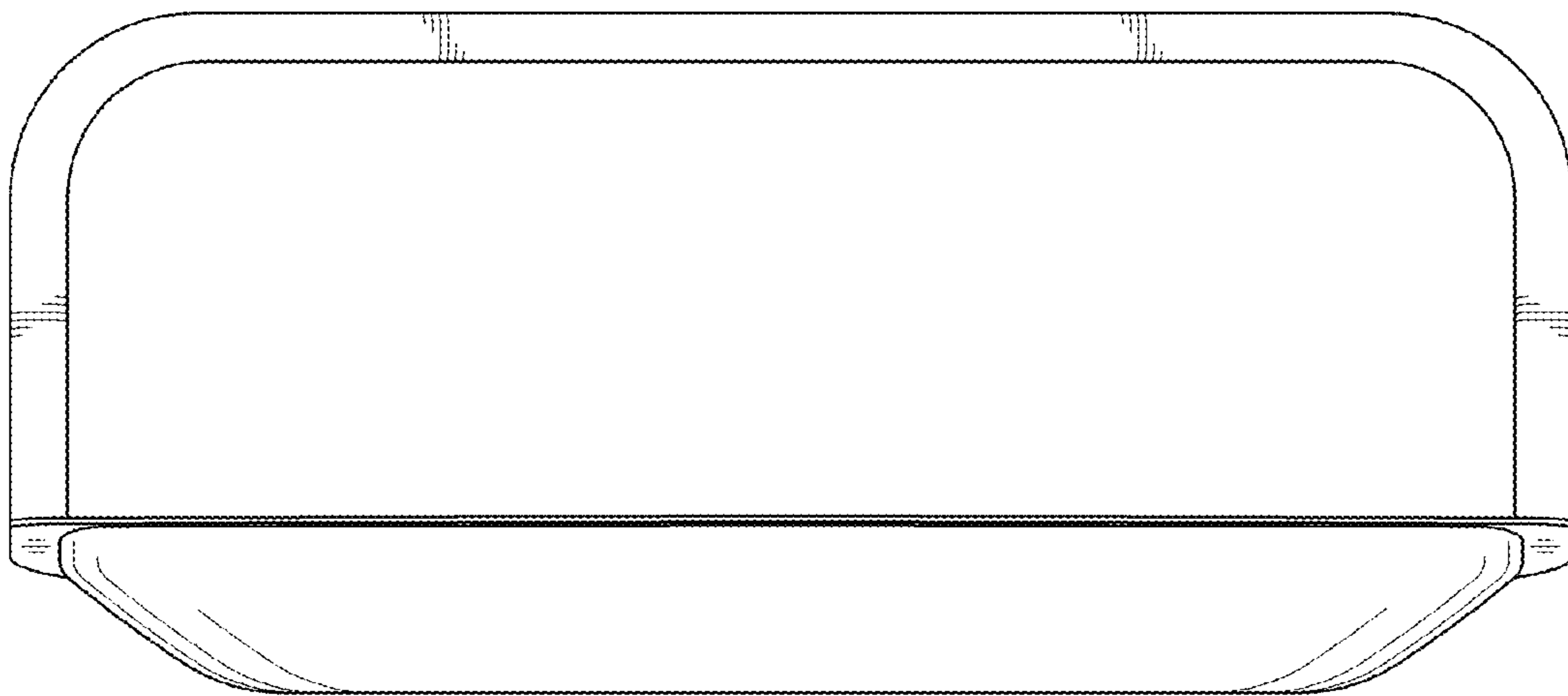


FIG. 4

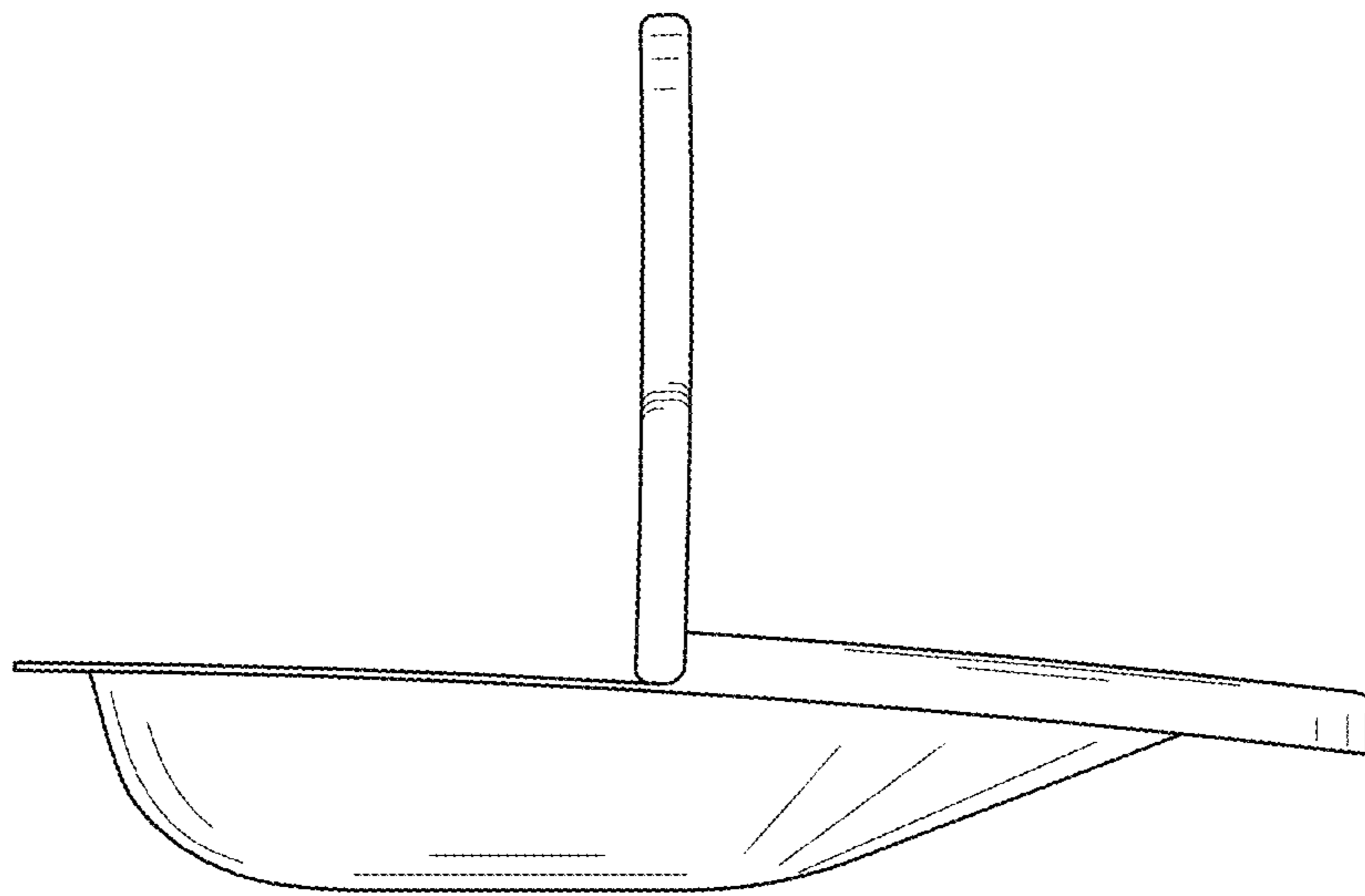


FIG. 5

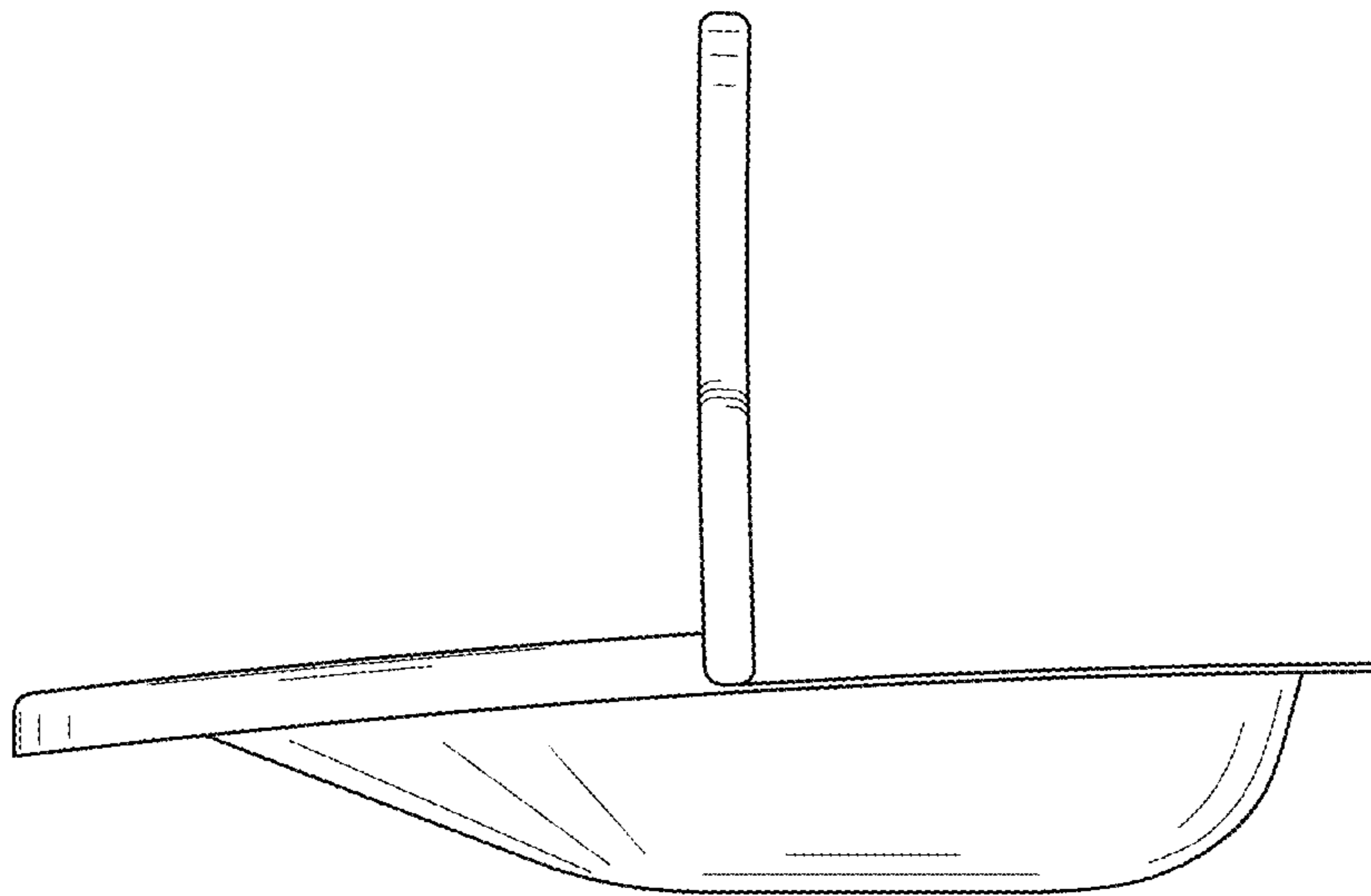


FIG. 6

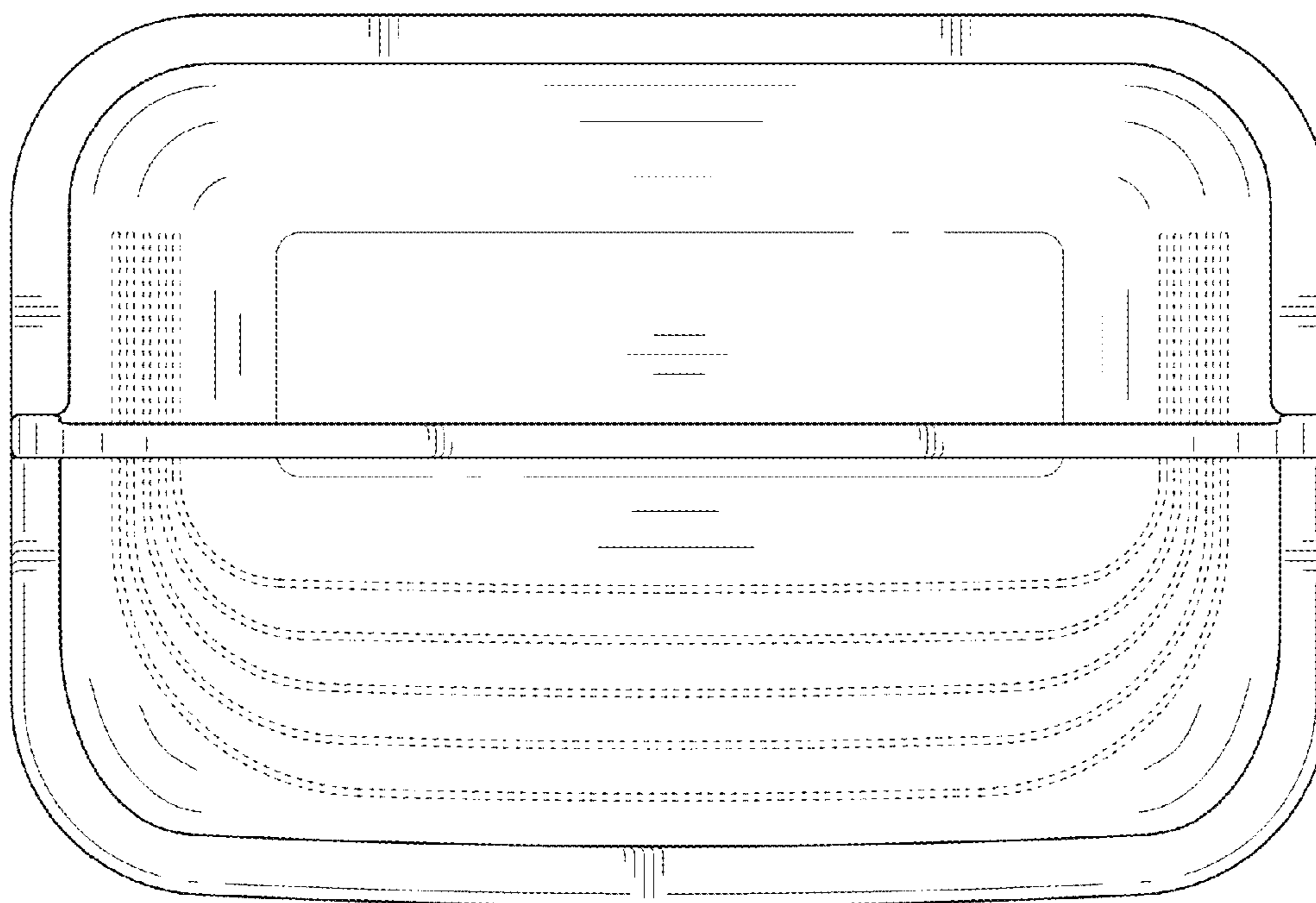


FIG. 7

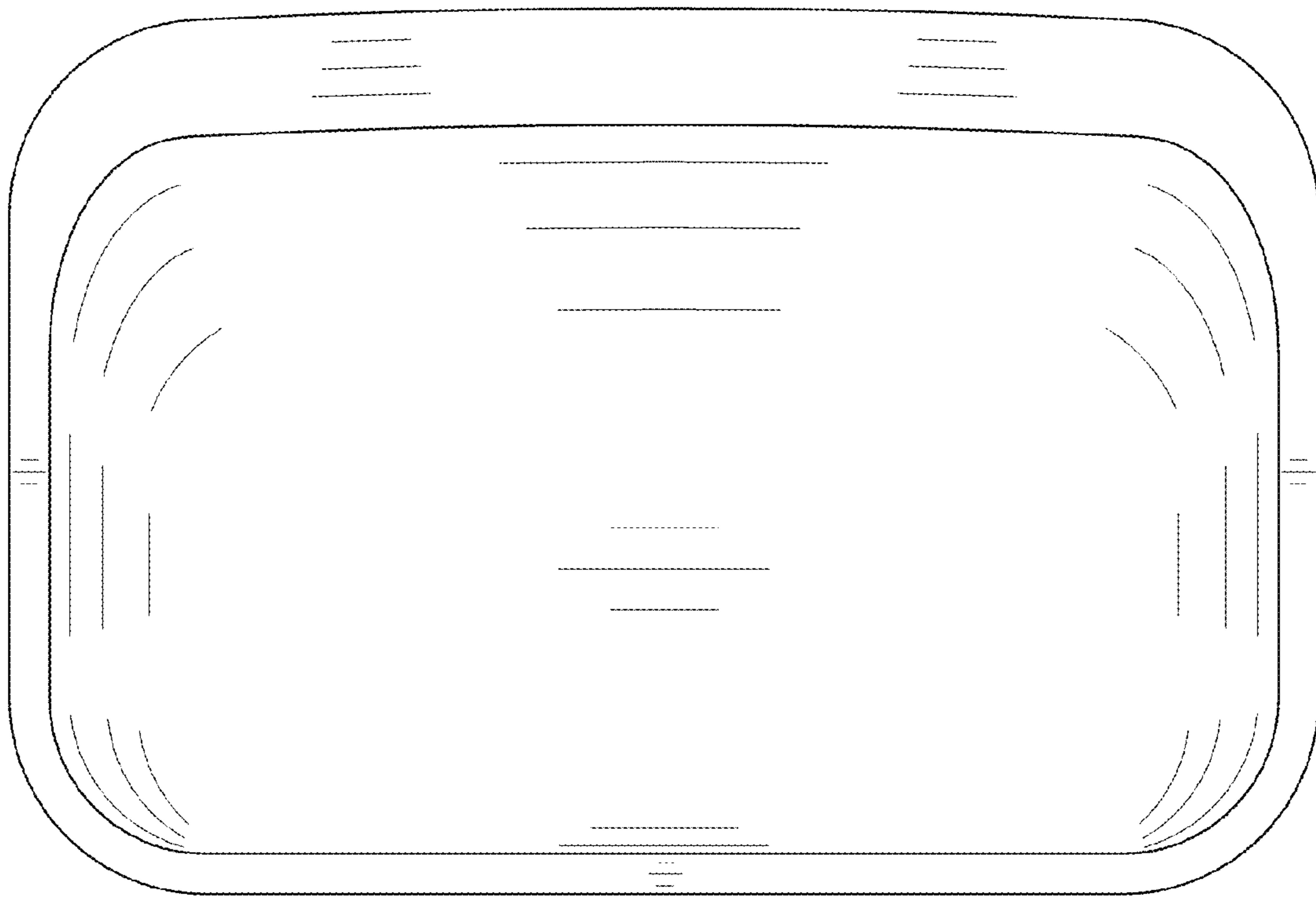


FIG. 8

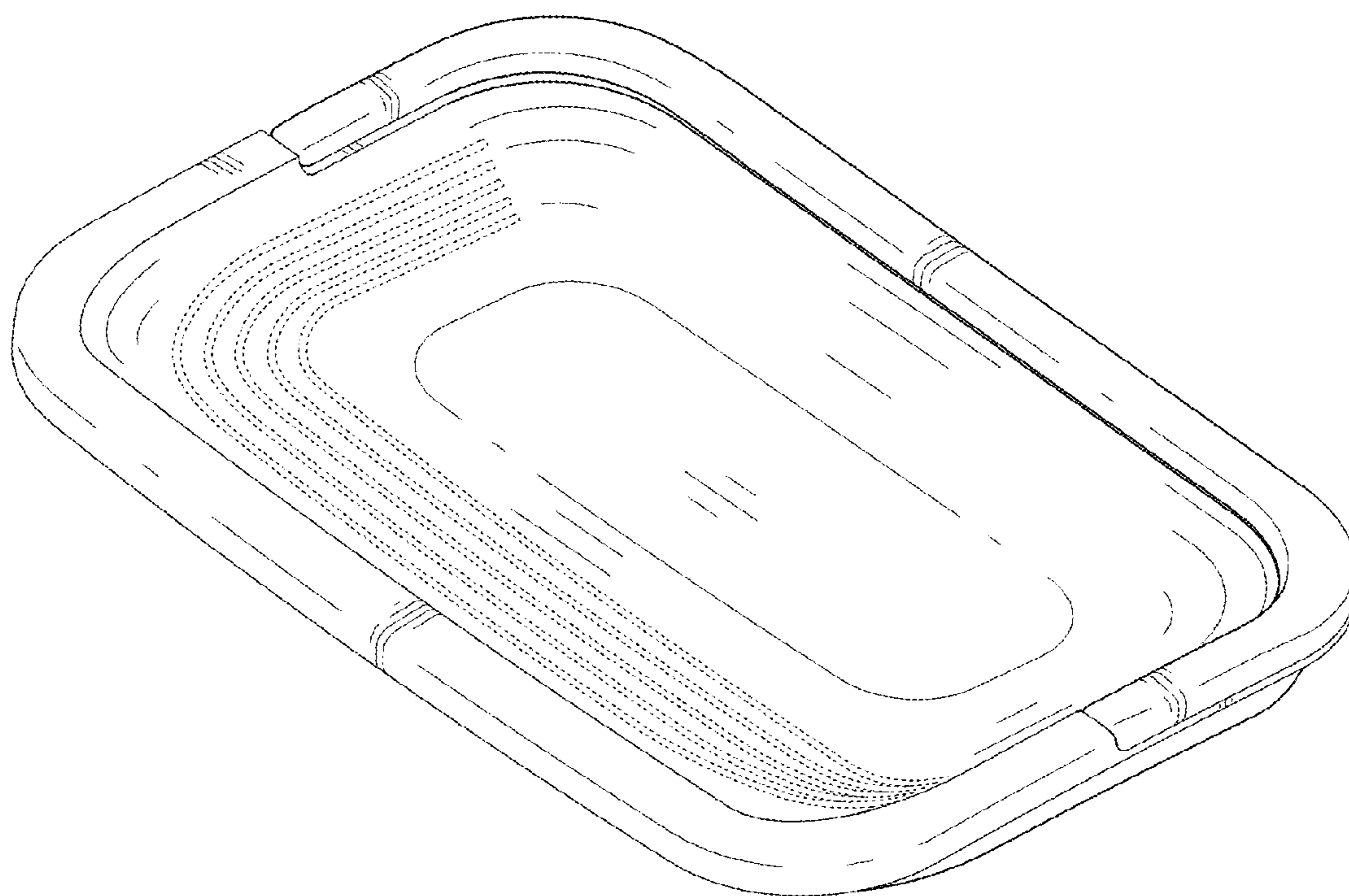


FIG. 9

