



US00D759927S

(12) **United States Design Patent**  
**Del Rosario Roy et al.**

(10) **Patent No.:** **US D759,927 S**  
(45) **Date of Patent:** **\*\* Jun. 21, 2016**

- (54) **CONTAINER HANDLE**
- (71) Applicant: **IPL INC.**, St-Damien (CA)
- (72) Inventors: **Daisy Del Rosario Roy**, Pintendre (CA);  
**Stéphane Mercier**, St-Damien (CA)
- (73) Assignee: **IPL INC.**, St-Damien (CA)
- (\*\*) Term: **14 Years**
- (21) Appl. No.: **29/525,057**
- (22) Filed: **Apr. 27, 2015**
- (51) **LOC (10) Cl.** ..... **07-07**
- (52) **U.S. Cl.**  
USPC ..... **D32/53**
- (58) **Field of Classification Search**  
USPC ..... D32/53, 53.1, 54; 220/752, 755, 759,  
220/760, 904; 15/264  
CPC ..... A47J 45/075  
See application file for complete search history.

8,490,251 B2 \* 7/2013 Manuel ..... B25G 1/102  
16/114.1  
D701,014 S \* 3/2014 Marsden ..... D32/53  
D705,512 S \* 5/2014 Stratton ..... D32/53  
2012/0085774 A1 4/2012 Luburic et al.

FOREIGN PATENT DOCUMENTS

CA 2369686 C 10/2000  
CA 2717284 C 4/2012

\* cited by examiner

*Primary Examiner* — Robin V Webster

(74) *Attorney, Agent, or Firm* — Goudreau Gage Dubuc;  
Gwendoline Bruneau

(57) **CLAIM**

The ornamental design for a container handle, as shown and described.

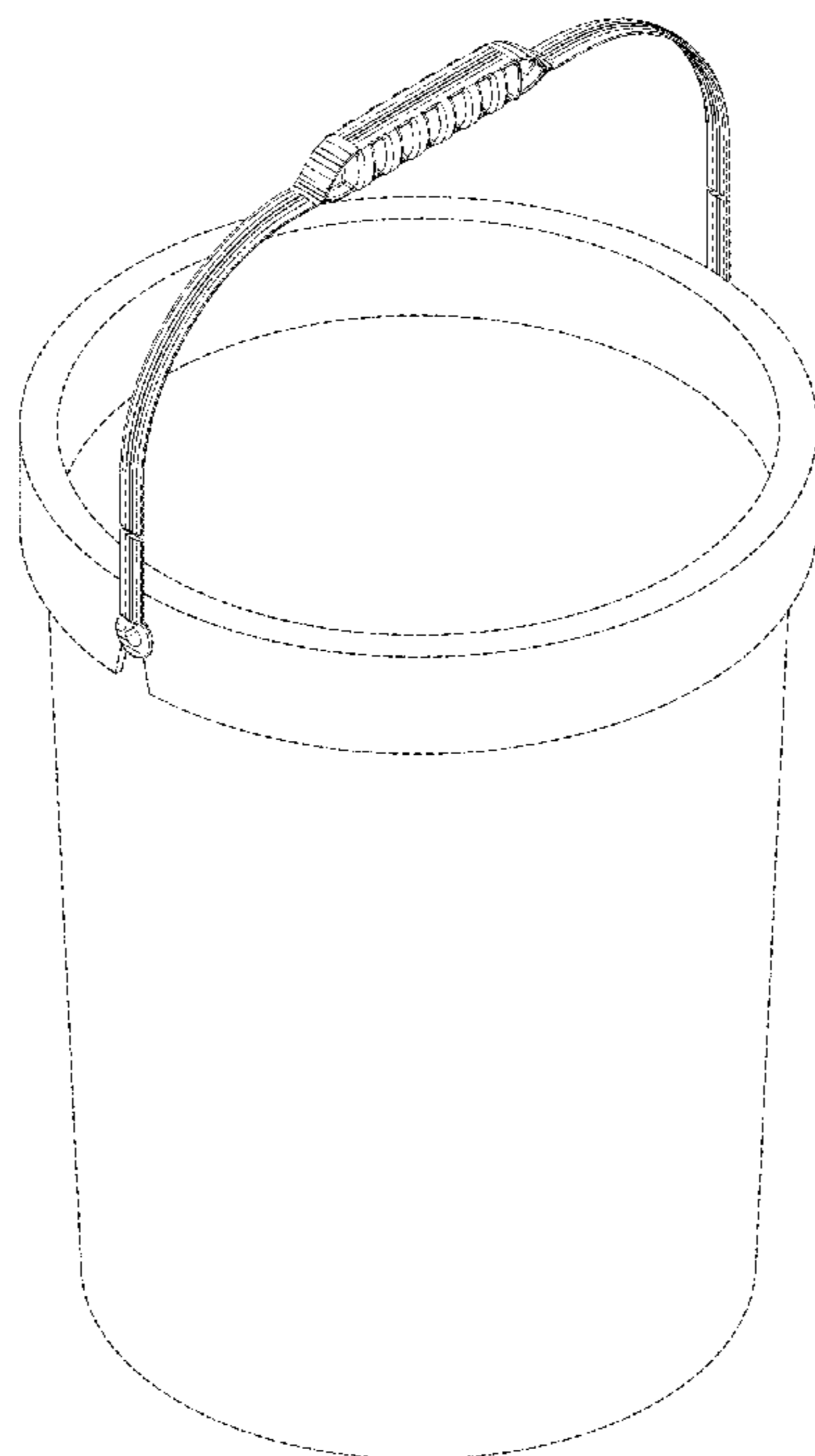
**DESCRIPTION**

FIG. 1 is perspective view of the handle, the broken line illustrating environmental structure;  
FIG. 2 is perspective view of the handle;  
FIG. 3 is an end view of the handle of FIG. 2;  
FIG. 4 is a top view of the handle of FIG. 2;  
FIG. 5 is a side view of the handle of FIG. 2;  
FIG. 6 is a bottom view of the handle of FIG. 2;  
FIG. 7 is a transverse view along line 7-7 of FIG. 2; and,  
FIG. 8 is a transverse view along line 8-8 of FIG. 2.  
The handle is shown fragmented to indicate non-specified length.  
The broken line forms no part of the claimed design.

**1 Claim, 4 Drawing Sheets**

(56) **References Cited**  
U.S. PATENT DOCUMENTS

- 1,420,851 A \* 6/1922 Lindhorst ..... A47J 47/18  
220/755
- 3,586,200 A \* 6/1971 Kramer ..... B65D 25/32  
220/318
- 6,257,440 B1 7/2001 Perkins et al.
- 6,494,341 B2 12/2002 Perkins et al.
- D530,052 S \* 10/2006 Berti ..... D32/53
- D631,630 S \* 1/2011 Berti ..... D32/53
- D673,749 S \* 1/2013 Heiser, Jr. .... D32/53



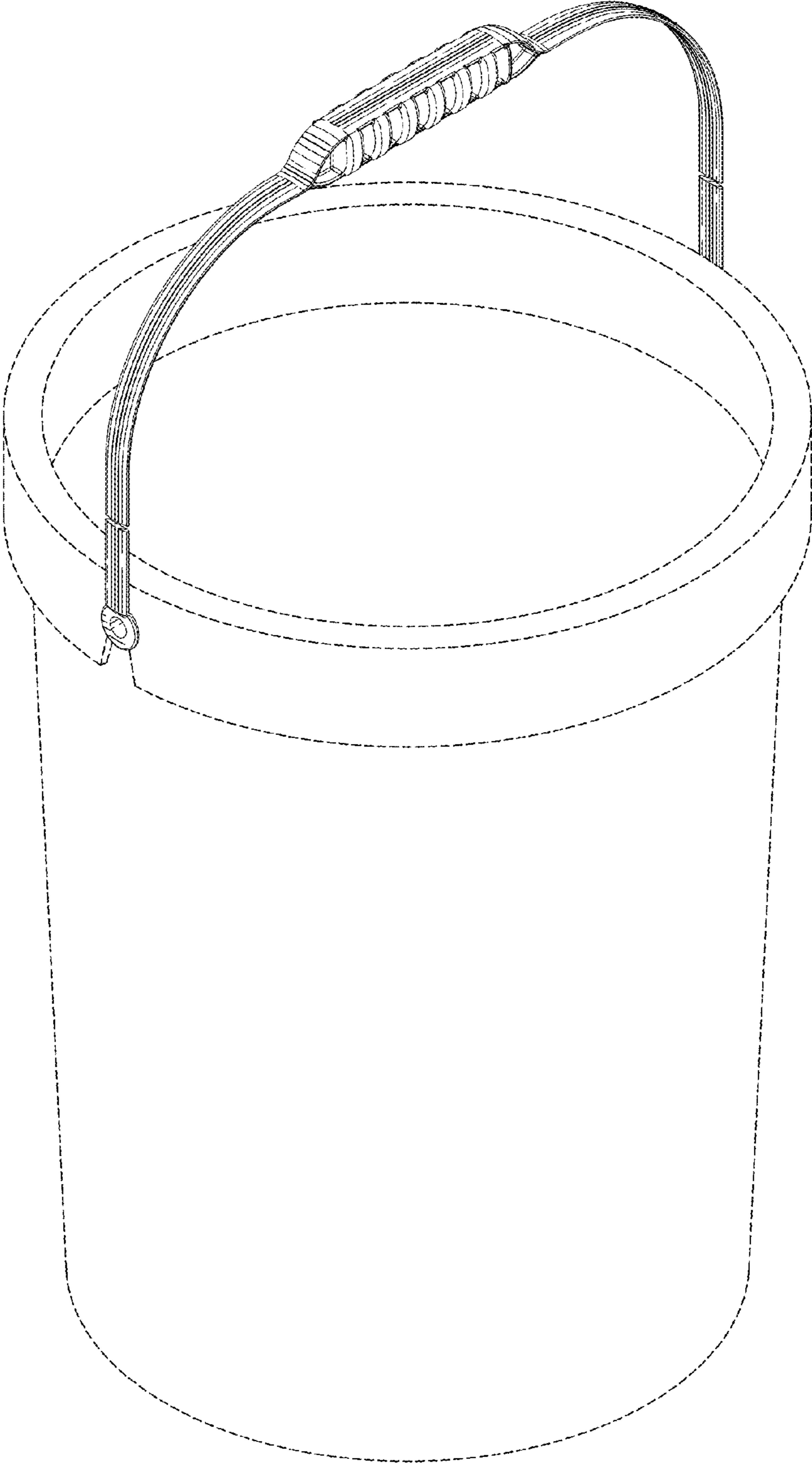
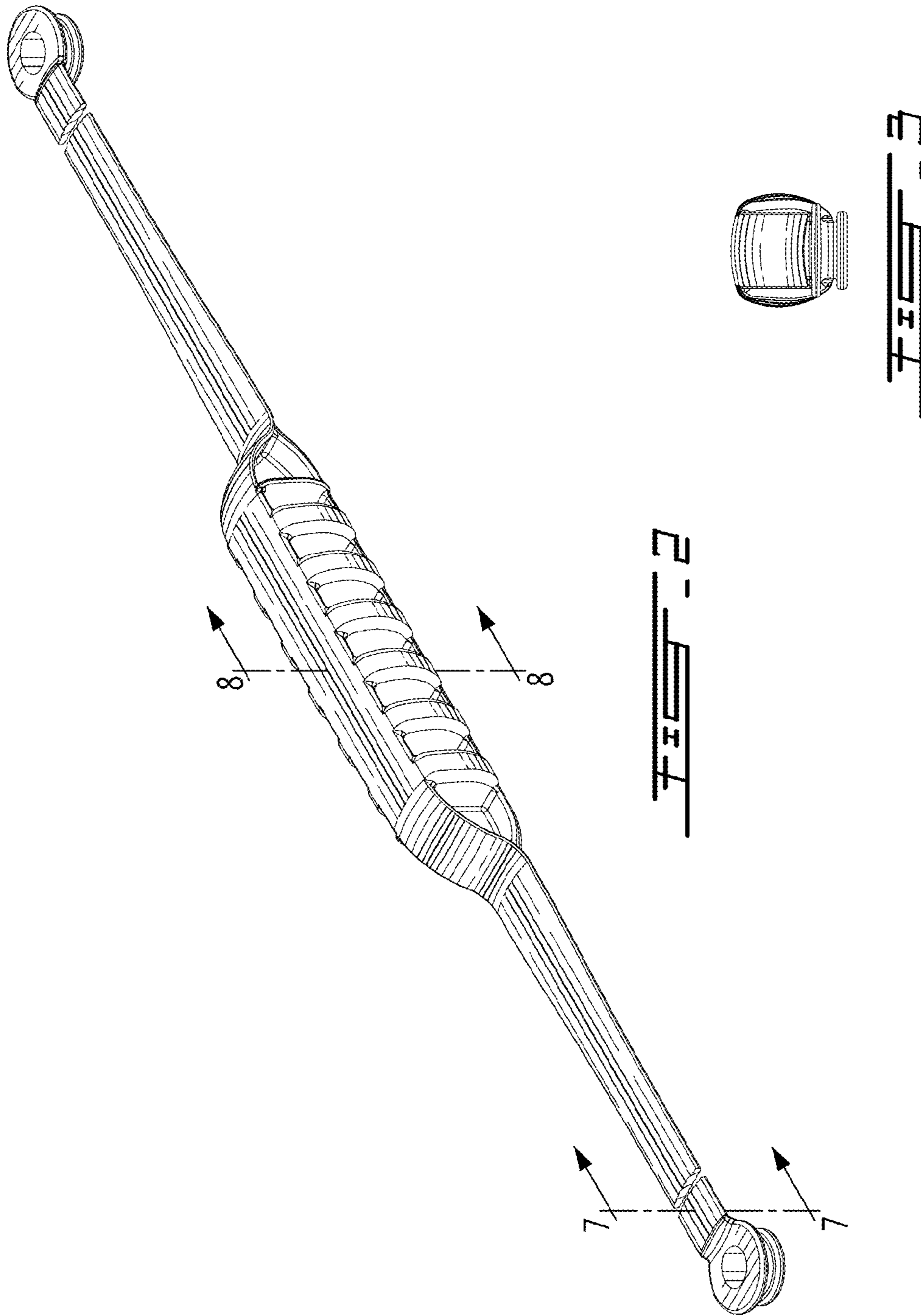


FIG. 1



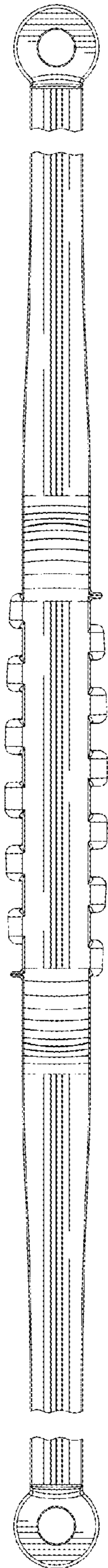


FIG. 4

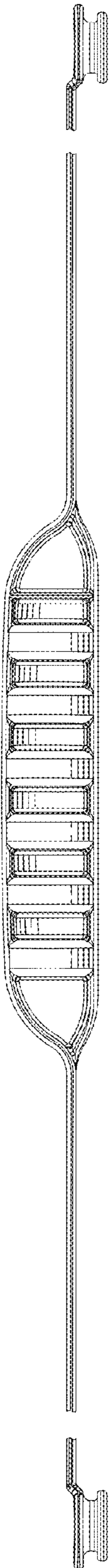


FIG. 5

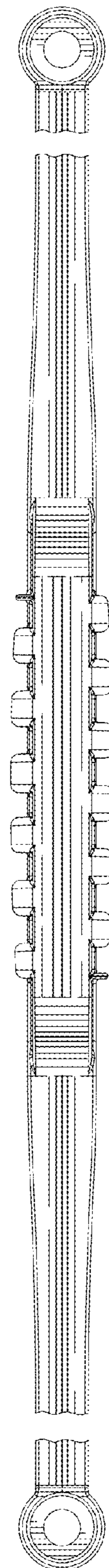


FIG. 6

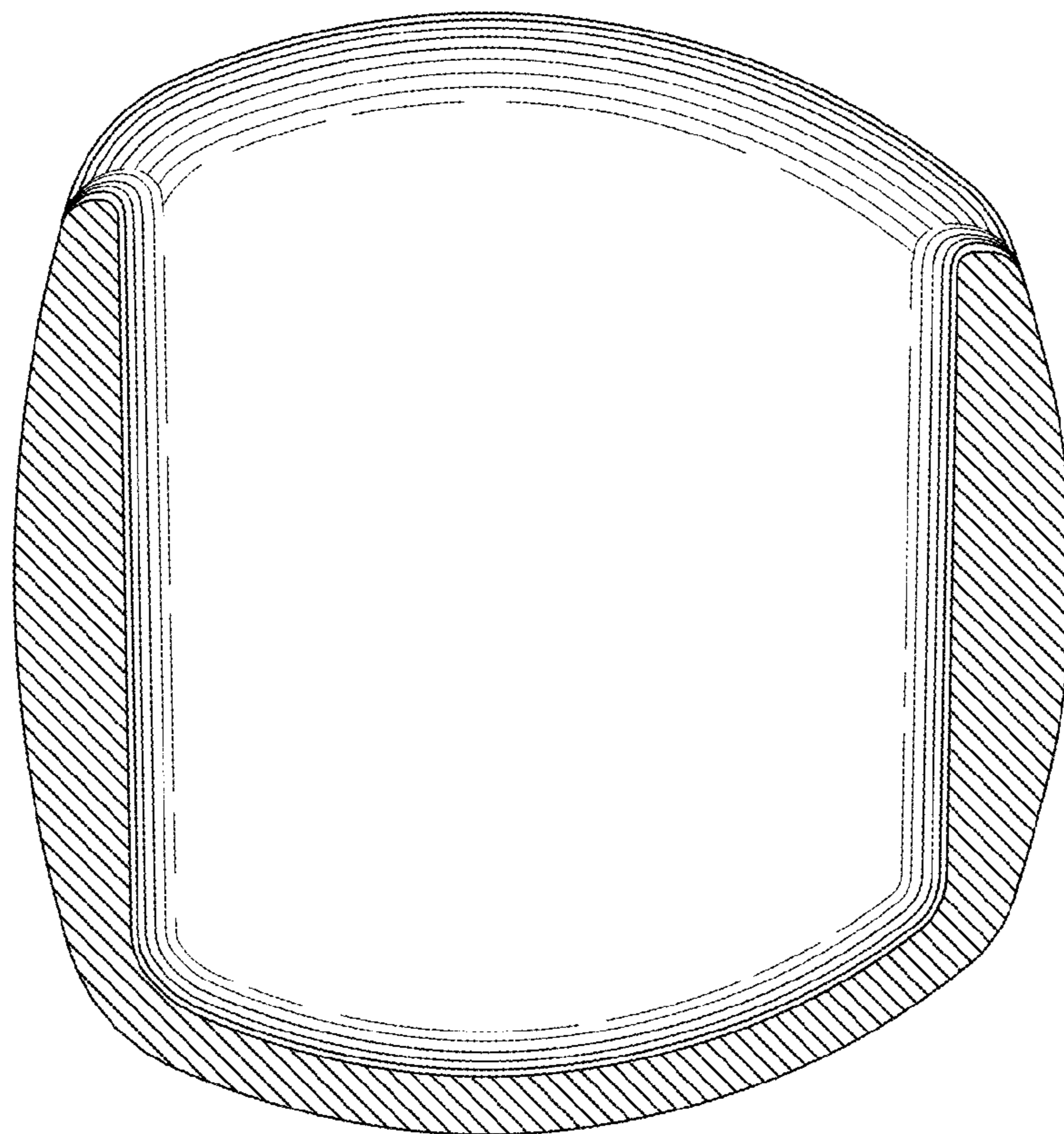


FIG. 8

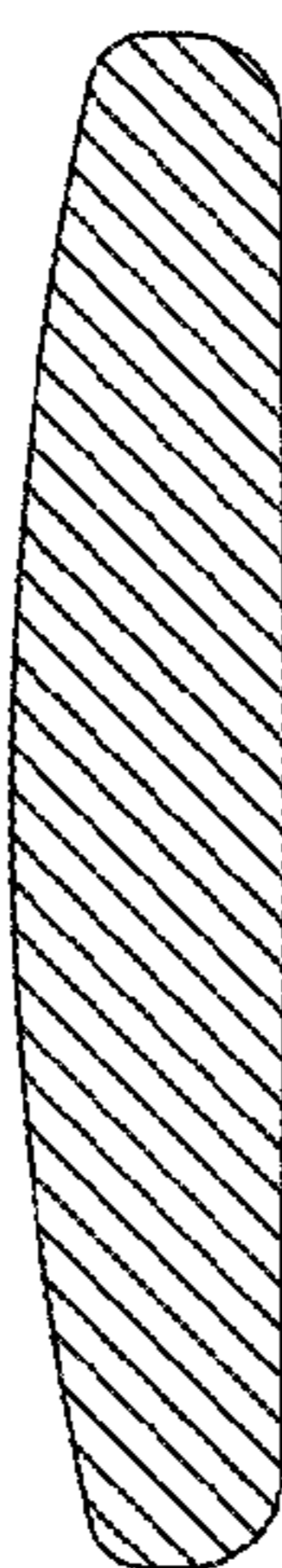


FIG. 7