

US00D759926S

(12) **United States Design Patent**
Leonard et al.

(10) **Patent No.:** **US D759,926 S**
(45) **Date of Patent:** **** Jun. 21, 2016**

(54) **BUCKET**

(71) Applicant: **Edward Scott Leonard**, New South
Wales (AU)

(72) Inventors: **Edward Scott Leonard**, New South
Wales (AU); **Jonathan Edward Pryer**,
New South Wales (AU)

(73) Assignee: **Edward Scott Leonard**, New South
Wales (AU)

(**) Term: **14 Years**

(21) Appl. No.: **29/510,090**

(22) Filed: **Nov. 25, 2014**

(30) **Foreign Application Priority Data**

Jun. 18, 2014 (AU) 12992/2014

(51) **LOC (10) Cl.** **07-07**

(52) **U.S. Cl.**
USPC **D32/53**

(58) **Field of Classification Search**
USPC D32/53, 53.1, 54; 220/75, 735, 736;
15/260-264, 119.1, 120.1
CPC B44D 3/128; B44D 3/12; B44D 3/126;
A47L 13/58; B65D 35/22; B65D 25/14
See application file for complete search history.

(56) **References Cited**

U.S. PATENT DOCUMENTS

2,620,006	A *	12/1952	Sorron-Zabala	A47J 47/18 206/524.5
D233,218	S *	10/1974	Lynn	D32/53
D368,347	S *	3/1996	Kruger	D32/53
D417,326	S *	11/1999	Greene	D32/53
D593,269	S *	5/2009	Weiler	D32/53
D657,164	S *	4/2012	Grimaldi	D32/53
8,397,943	B2 *	3/2013	Farid	B65D 25/2808 220/696
D743,137	S *	11/2015	Vasilakes	D32/53
D744,711	S *	12/2015	Gringer	D32/53.1

* cited by examiner

Primary Examiner — Robin V Webster

(74) *Attorney, Agent, or Firm* — Rankin, Hill & Clark LLP

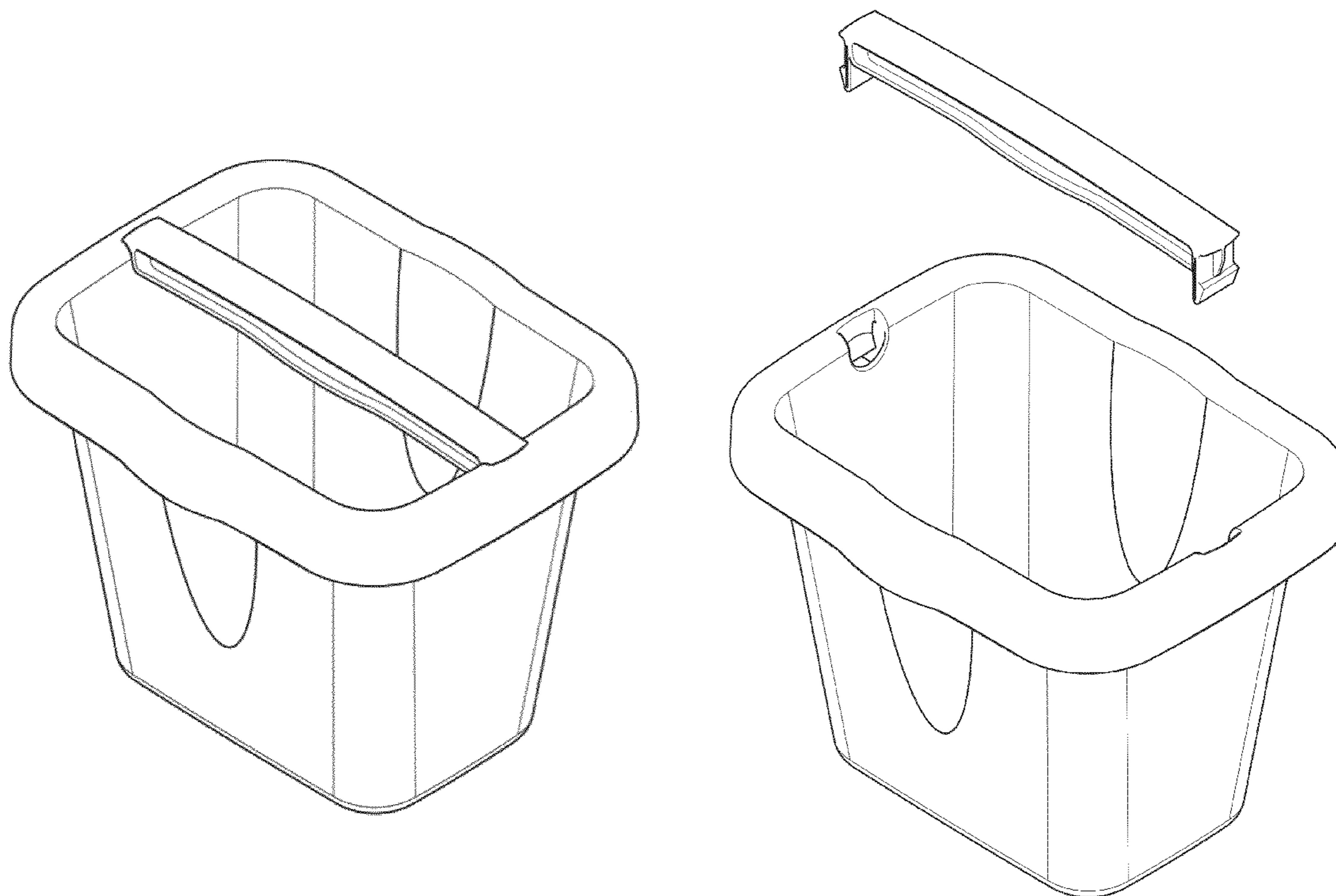
(57) **CLAIM**

The ornamental design for a bucket, as shown and described.

DESCRIPTION

FIG. 1 is a top perspective view of a bucket showing a handle in an attached condition;
FIG. 2 is a top perspective view of the bucket showing the handle in a removed condition;
FIG. 3 is a front view of the bucket showing the handle in the attached condition, the rear view being identical;
FIG. 4 is a top view of the bucket showing the handle in the attached condition;
FIG. 5 is a right side view of the bucket showing the handle in the attached condition, the left side view being identical;
FIG. 6 is a bottom perspective view of the bucket; and,
FIG. 7 is a bottom view of the bucket.

1 Claim, 5 Drawing Sheets



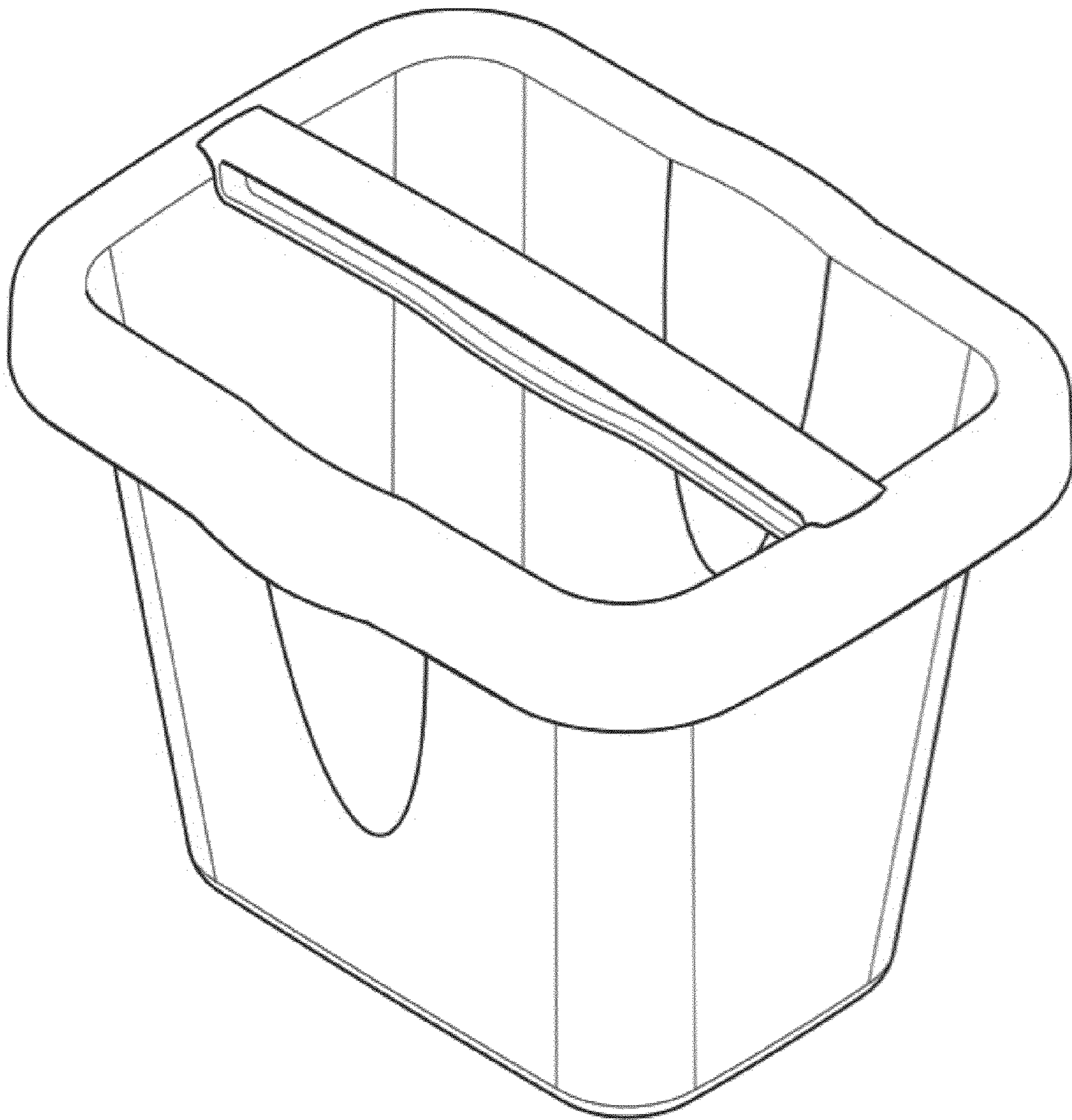


Figure 1

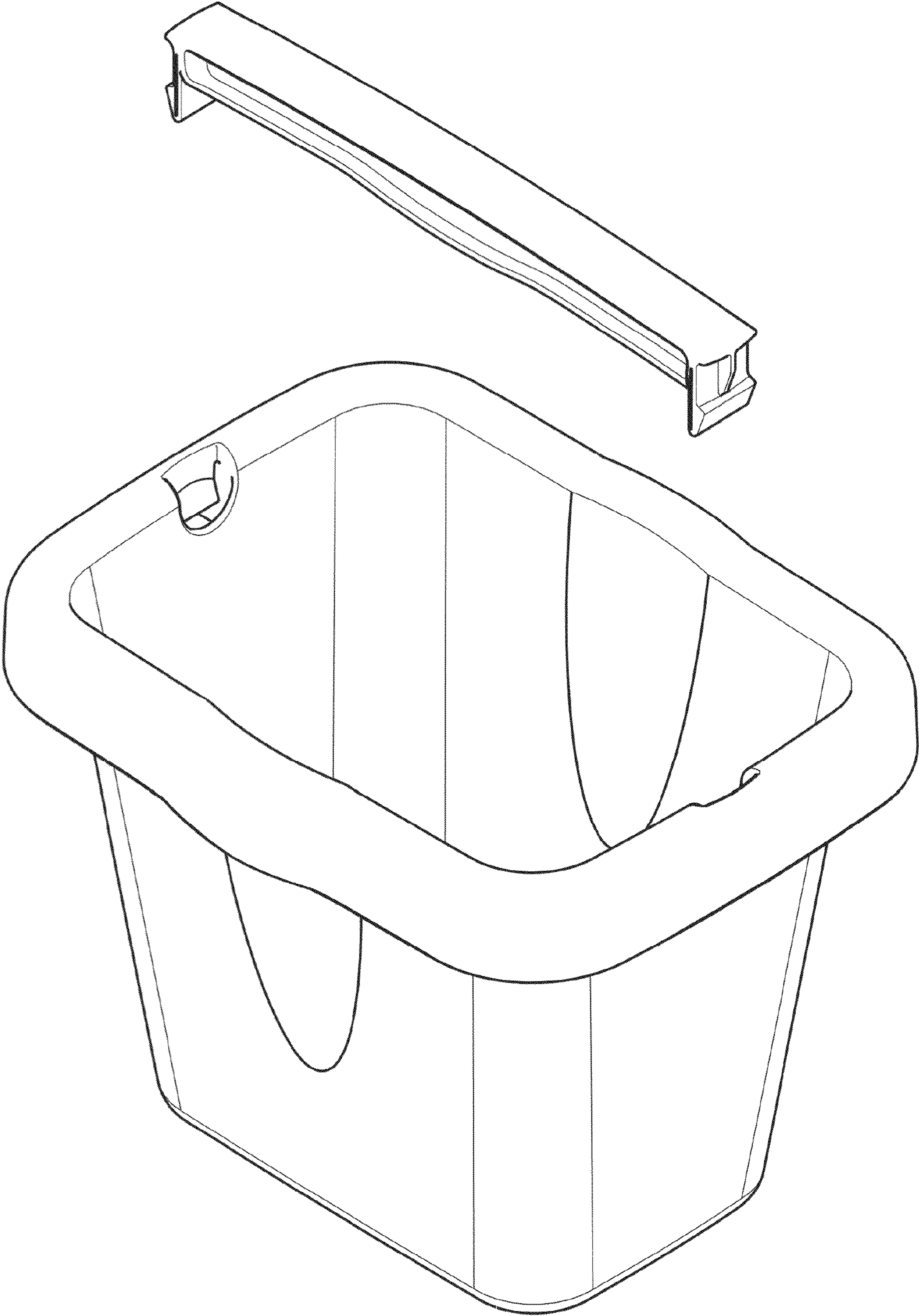


Figure 2

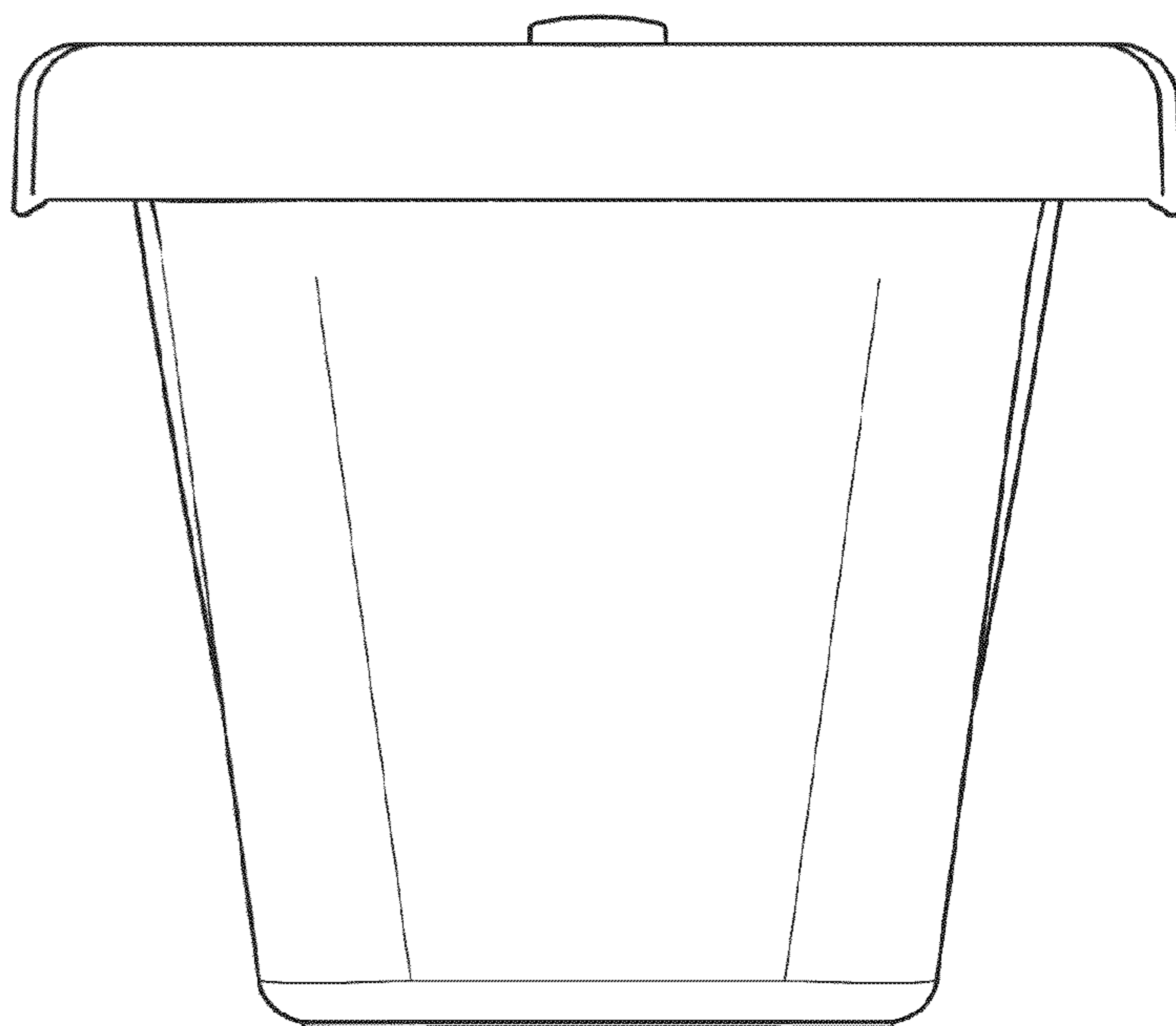


Figure 3

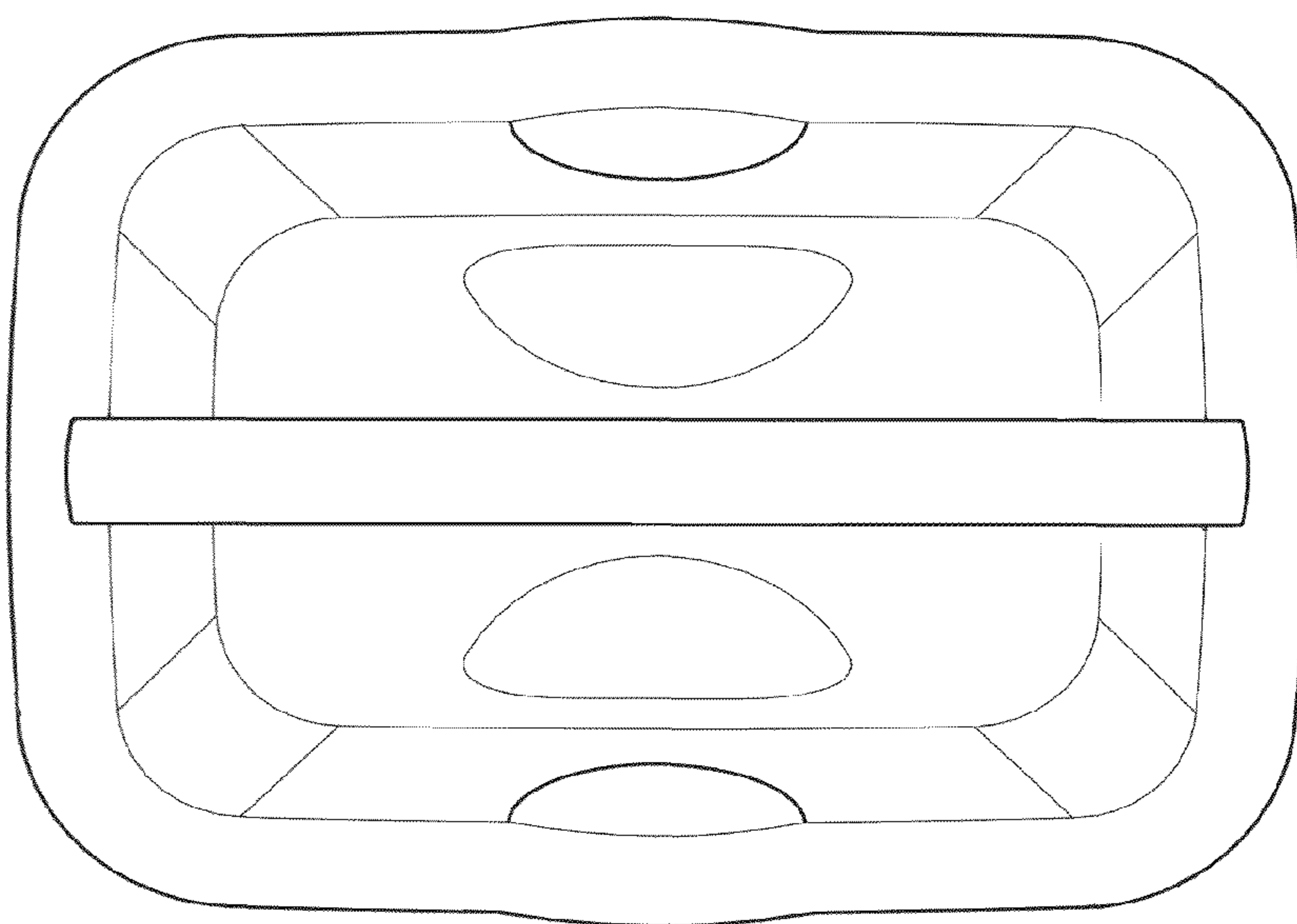


Figure 4

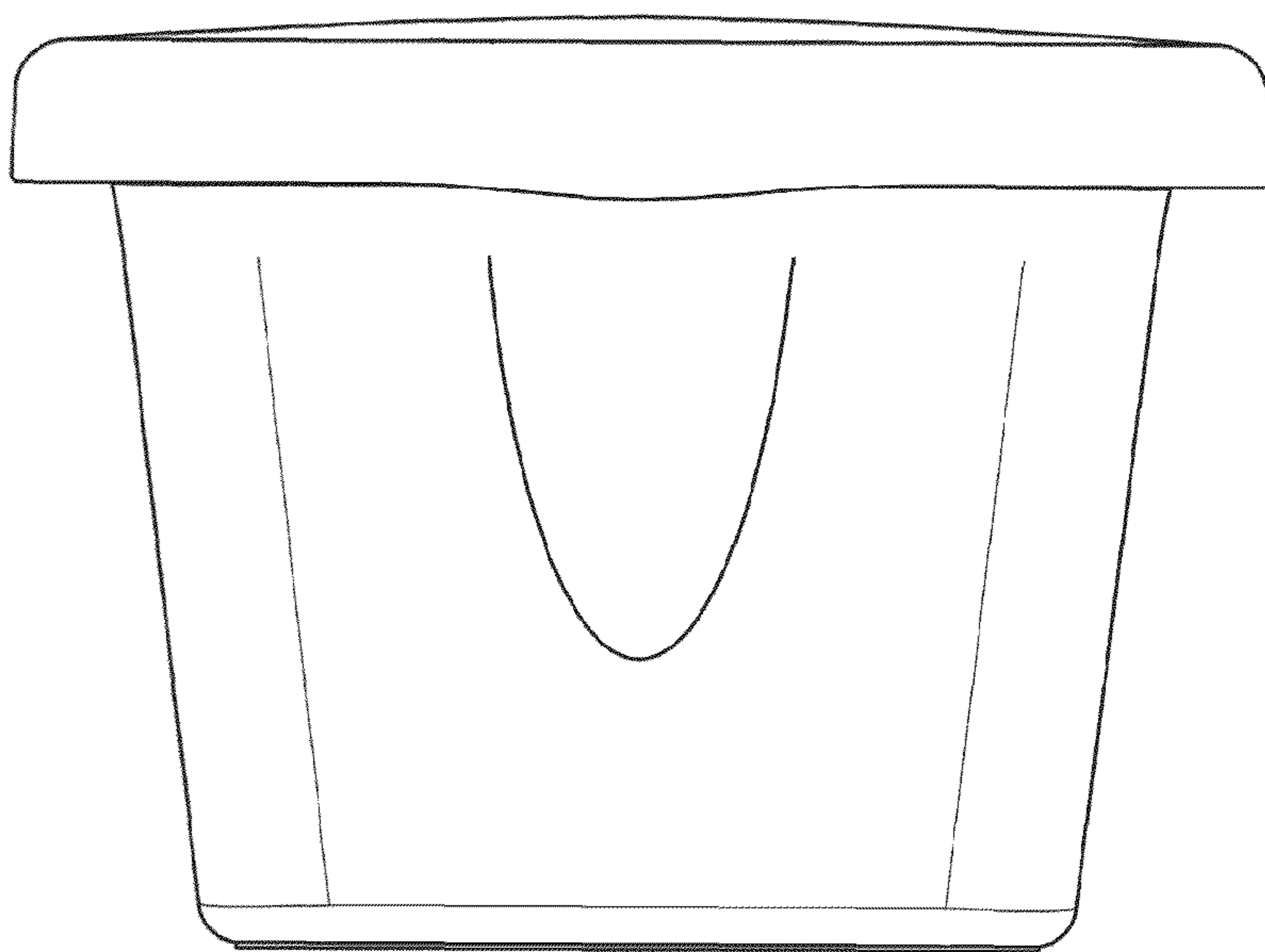


Figure 5

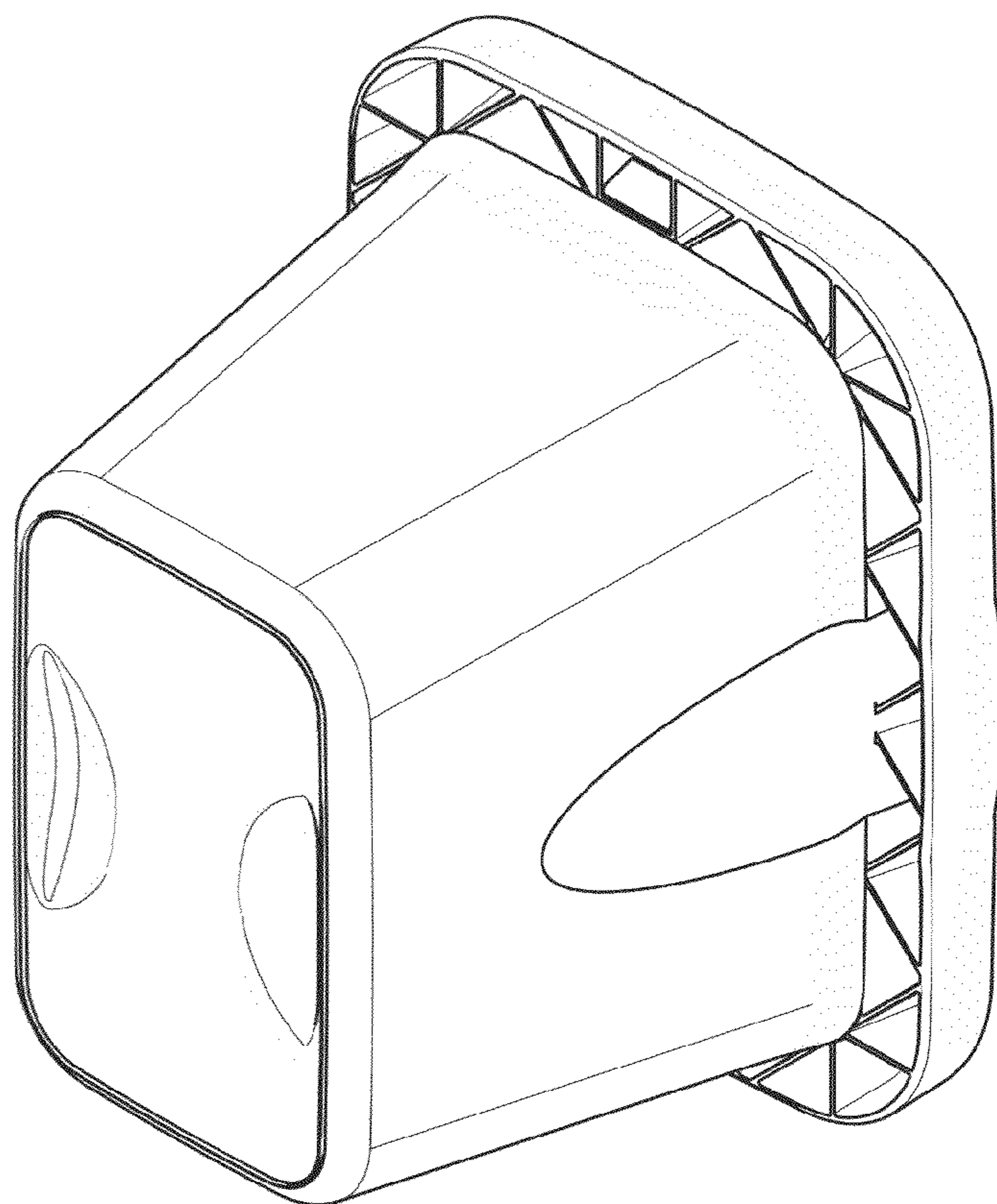


Figure 6

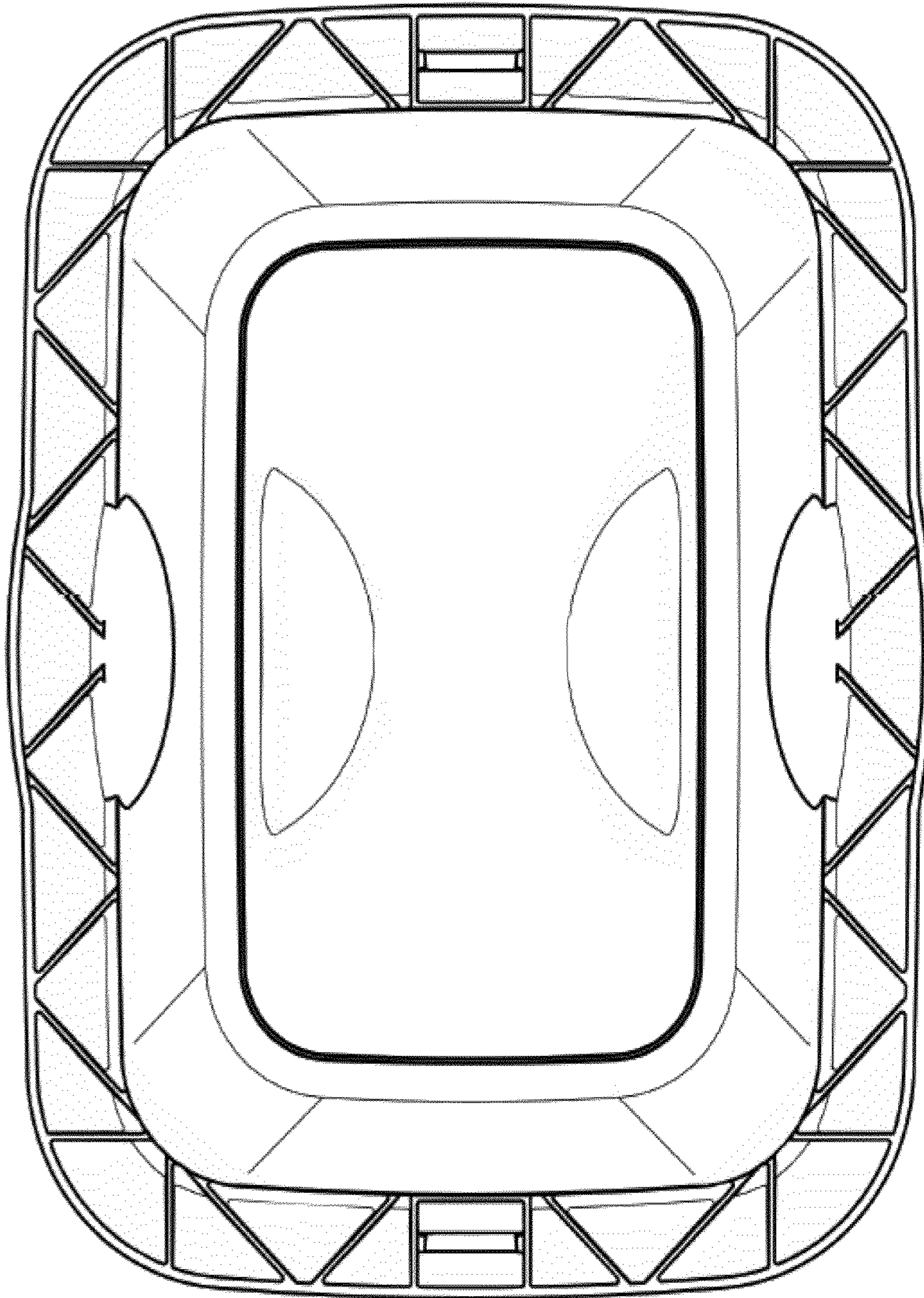


Figure 7