



US00D759925S

(12) **United States Design Patent**
Martens

(10) **Patent No.:** **US D759,925 S**
(45) **Date of Patent:** **** Jun. 21, 2016**

(54) **BROOM COVER**

(71) Applicant: **Penelope Martens**, Sandy Hook, CT
(US)

(72) Inventor: **Penelope Martens**, Sandy Hook, CT
(US)

(**) Term: **14 Years**

(21) Appl. No.: **29/516,054**

(22) Filed: **Jan. 29, 2015**

(51) **LOC (10) Cl.** **04-01**

(52) **U.S. Cl.**
USPC **D32/50**

(58) **Field of Classification Search**

USPC D4/100, 118, 130–135, 199;
D32/50–53, 45

CPC A46B 3/00; A46B 3/08; A46B 15/0061;
A46B 15/00; A46B 9/02; A46B 1/20; A46B
1/022; A46B 17/04; A47L 5/22; A47L 5/24;
A47L 13/10; A47L 13/12; A47L 13/08;
A47L 7/08; A47L 13/44

See application file for complete search history.

(56) **References Cited**

U.S. PATENT DOCUMENTS

- 960,158 A * 5/1910 Cummings et al. A47L 13/44
15/247
- 964,402 A * 7/1910 Davis A47L 13/44
15/247
- 1,138,305 A 5/1915 Miller
- 1,357,913 A * 11/1920 Taylor A46B 3/08
15/178
- 1,360,926 A * 11/1920 Glenn A47L 13/44
15/229.4
- 2,269,424 A * 1/1942 Bernstein A47L 13/38
15/228
- 2,407,457 A * 9/1946 Sokoloff A46B 3/00
15/176.6
- 2,562,230 A * 7/1951 Bernbaum A47L 13/44
15/118
- 2,709,824 A * 6/1955 Hall A47L 13/44
15/227
- 3,462,790 A * 8/1969 Lingle A47L 13/29
15/247

- 3,860,115 A * 1/1975 Laske A46B 17/04
15/247
- 5,138,738 A * 8/1992 Nicholson A46B 17/04
15/228
- D370,322 S * 5/1996 Canni Ferrari D32/31
- D383,578 S * 9/1997 Ho D32/22
- D384,506 S * 10/1997 Canni Ferrari D32/51
- 5,709,006 A * 1/1998 Carter, Jr. A47L 13/44
15/143.1
- 5,839,158 A * 11/1998 Schupp A47L 5/24
15/144.4
- 6,389,637 B1 * 5/2002 Hurell A47L 13/44
15/228
- 6,701,567 B2 * 3/2004 Smith A47L 13/44
15/104.93

(Continued)

FOREIGN PATENT DOCUMENTS

- CN 301080382 * 12/2009
- GB 2045985 * 7/1995

OTHER PUBLICATIONS

Crochet Kitchen Patterns—Crochet Broom Cover Patterns, online, google publish date Sep. 4, 2012, site visited Mar. 16, 2016, <http://www.crochetmemories.com/patterns/country-fans-broom-cover.php>.*

Primary Examiner — John Windmuller

Assistant Examiner — John R Yeh

(74) *Attorney, Agent, or Firm* — Michael J. Feigin, Esq.;
Feigin and Fridman

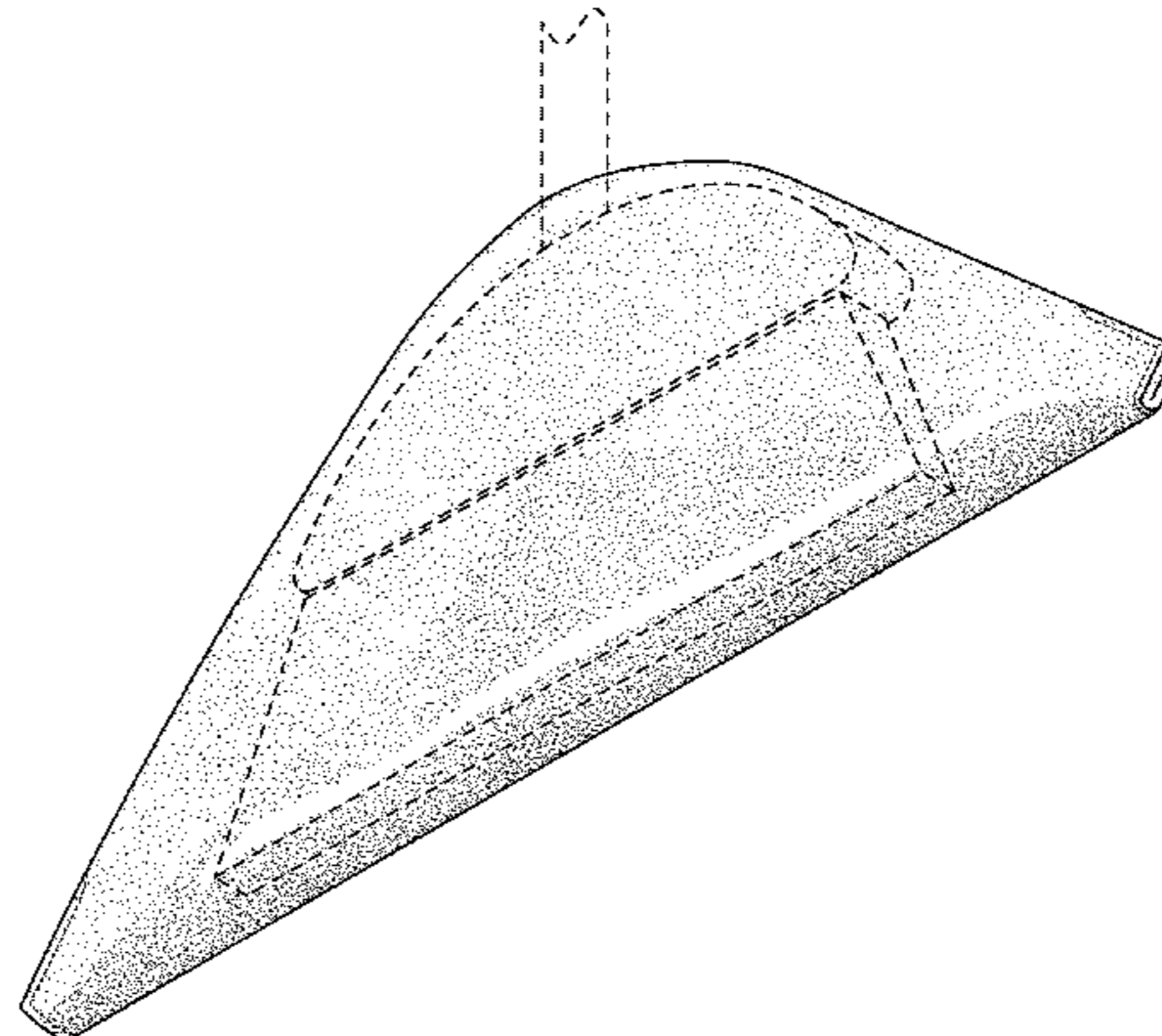
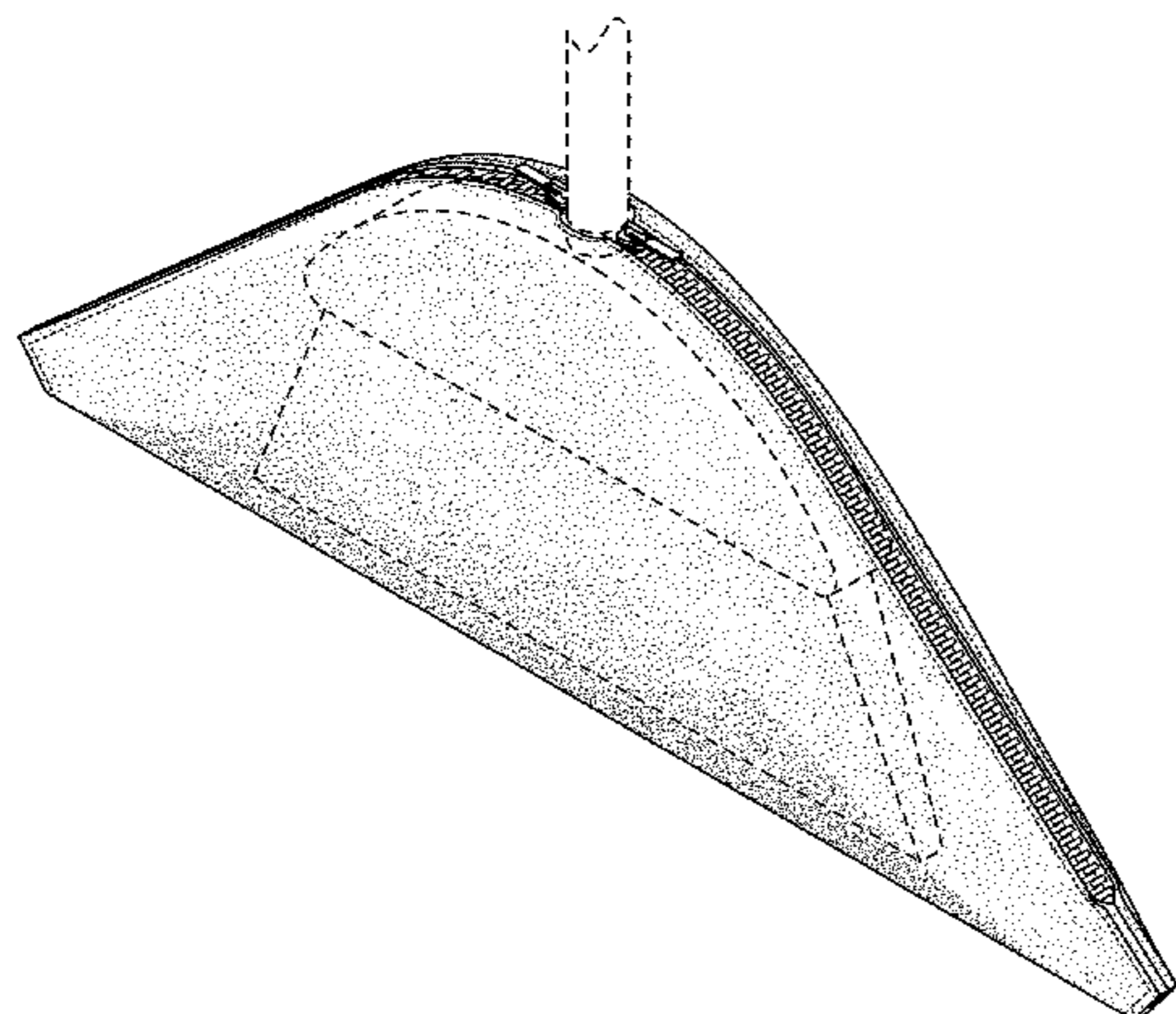
(57) **CLAIM**

The ornamental design for the broom cover.

DESCRIPTION

FIG. 1 shows a top perspective view of a broom cover.
FIG. 2 shows a bottom perspective view thereof.
FIG. 3 shows a front elevation view thereof, the back side being a mirror image.
FIG. 4 shows a top plan view thereof.
FIG. 5 shows a bottom plan view thereof; and,
FIG. 6 shows a right side elevation view thereof, the left side being a mirror image.
The broken lines showing portions of a broom represent environment and form no part of the claimed design. The smaller broken lines along the top and side edges of the broom cover represent stitching and are part of the claimed design.

1 Claim, 3 Drawing Sheets



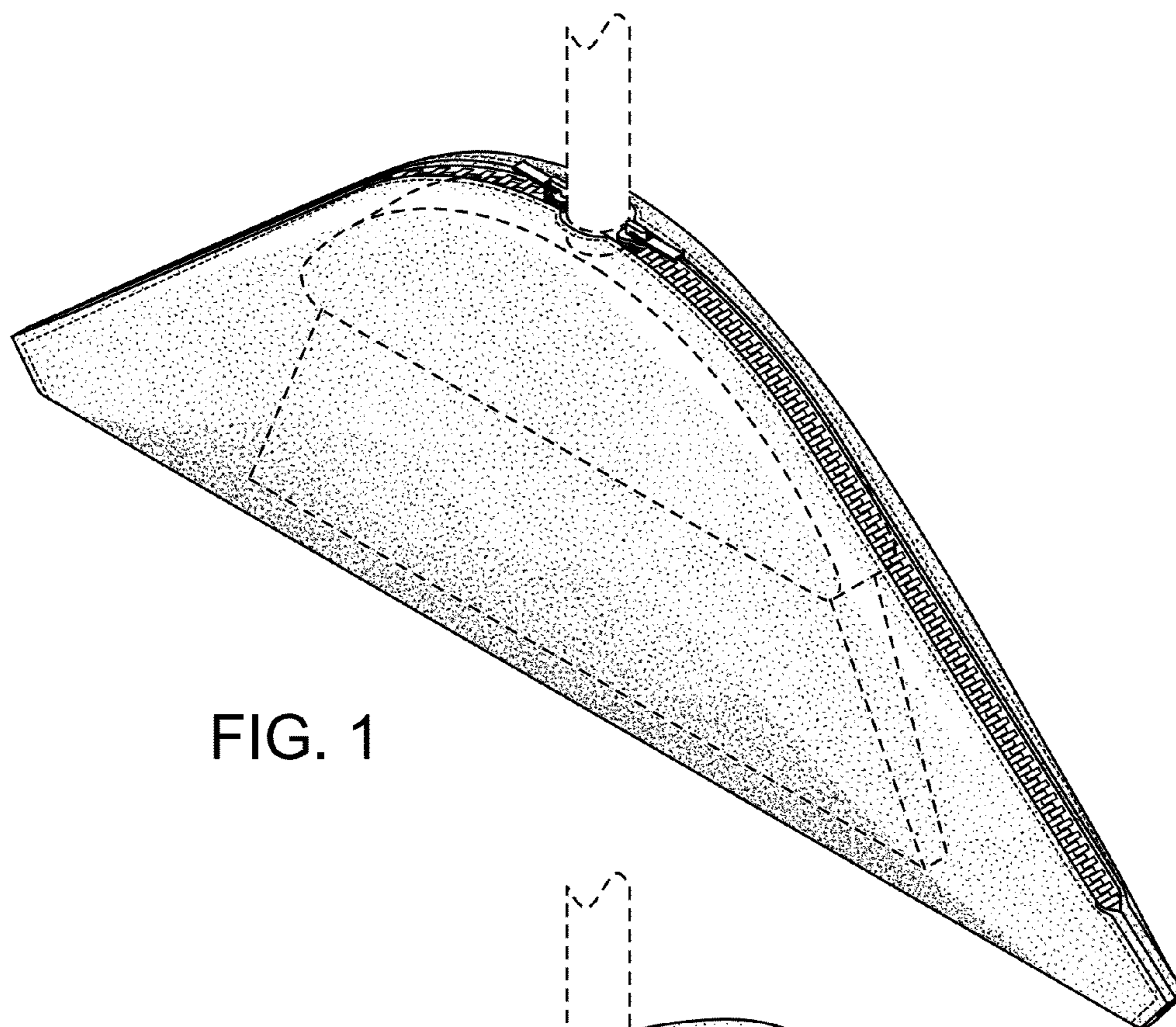


FIG. 1

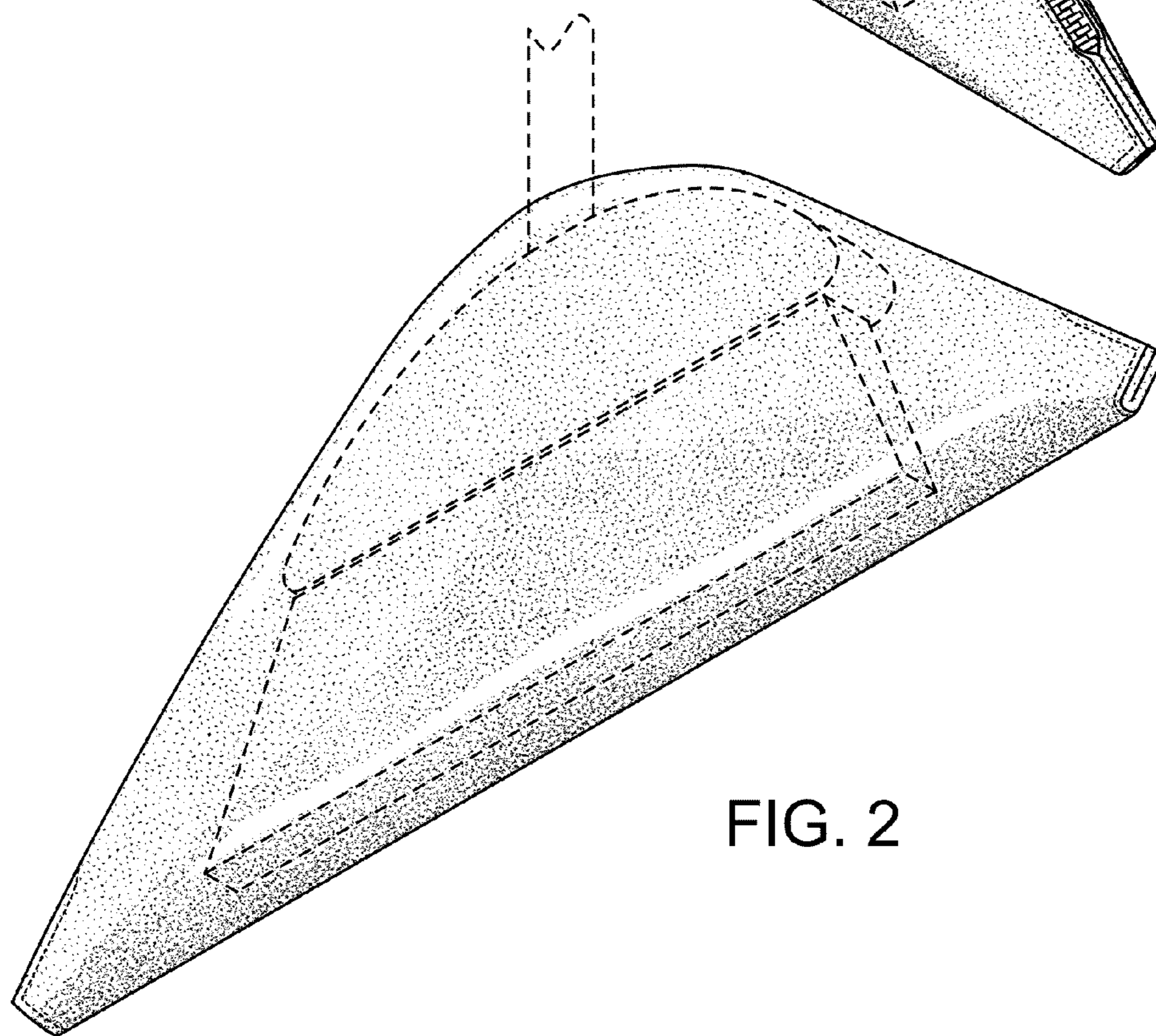


FIG. 2

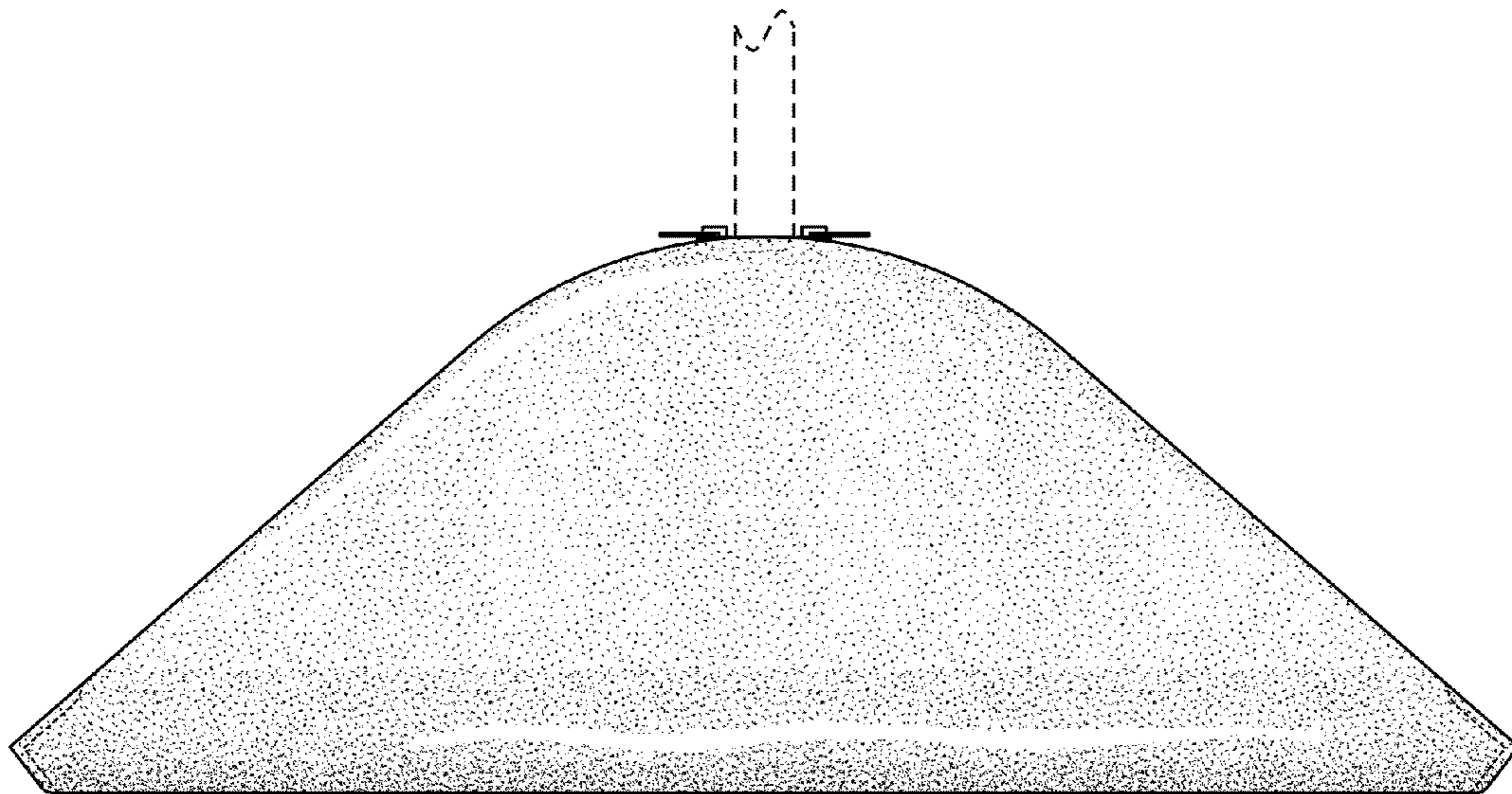


FIG. 3

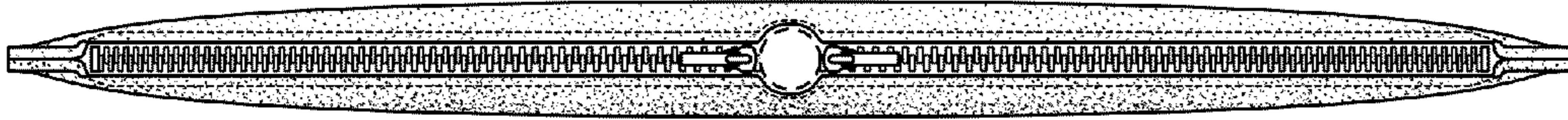


FIG. 4



FIG. 5



FIG. 6