



US00D759922S

(12) **United States Design Patent**
Valley

(10) **Patent No.:** **US D759,922 S**

(45) **Date of Patent:** **** Jun. 21, 2016**

(54) **DIPSTICK CLEANER**

(71) Applicant: **Paul William Valley**, Potter Valley, CA
(US)

(72) Inventor: **Paul William Valley**, Potter Valley, CA
(US)

(**) Term: **14 Years**

(21) Appl. No.: **29/474,893**

(22) Filed: **Mar. 9, 2015**

(51) **LOC (10) Cl.** **08-99**

(52) **U.S. Cl.**
USPC **D32/35**

(58) **Field of Classification Search**
USPC D32/35, 40, 41, 42, 43, 44, 45;
15/220.4, 214, 218, 218.1, 104.92
CPC G01F 23/045; G01F 23/04
See application file for complete search history.

(56) **References Cited**

U.S. PATENT DOCUMENTS

- 2,654,109 A * 10/1953 Barnes G01F 23/045
118/100
- 4,103,388 A * 8/1978 DeVitis G01F 23/045
15/220.4

- D343,484 S * 1/1994 Moran D32/40
- D428,224 S * 7/2000 Alexander D32/35
- D493,588 S * 7/2004 DeFelice D32/35
- D500,182 S * 12/2004 DeFelice D32/35
- D622,922 S * 8/2010 Kou D32/40

* cited by examiner

Primary Examiner — Susan Bennett Hattan

Assistant Examiner — Rebecca Tsehaye

(74) *Attorney, Agent, or Firm* — Risto A. Rinne, Jr.

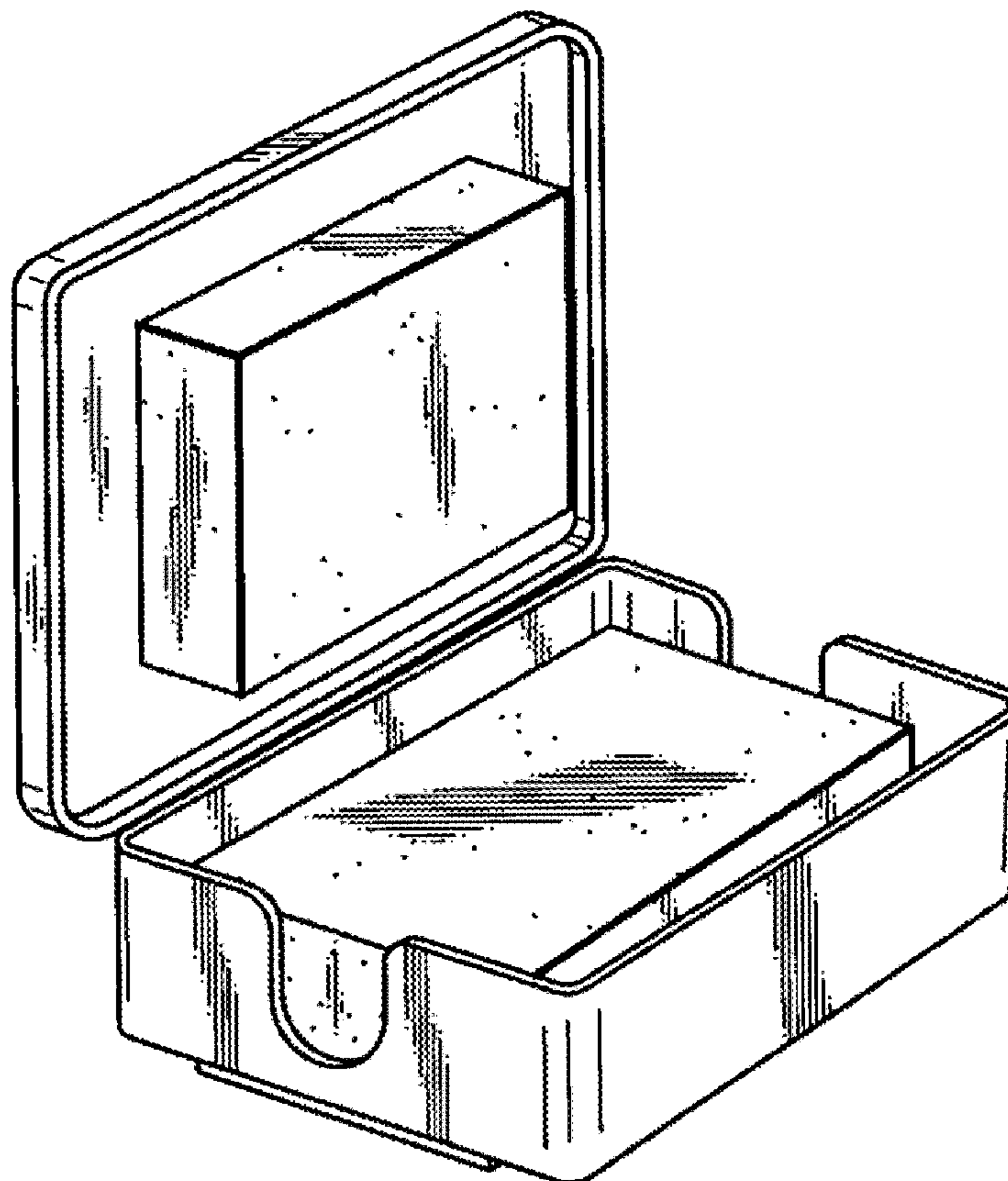
(57) **CLAIM**

The ornamental design for a dipstick cleaner, as shown and described.

DESCRIPTION

FIG. 1 is a perspective view of my new design showing a dipstick cleaner in an open position;
 FIG. 2 is a front view of the dipstick cleaner of FIG. 1;
 FIG. 3 is a rear view of the dipstick cleaner of FIG. 1;
 FIG. 4 is a left side view of the dipstick cleaner of FIG. 1;
 FIG. 5 is a right side view of the dipstick cleaner of FIG. 1;
 FIG. 6 is a top view of the dipstick cleaner of FIG. 1;
 FIG. 7 is a bottom view of the dipstick cleaner of FIG. 1; and,
 FIG. 8 is a perspective view of the dipstick cleaner of FIG. 1 in a closed position.

1 Claim, 8 Drawing Sheets



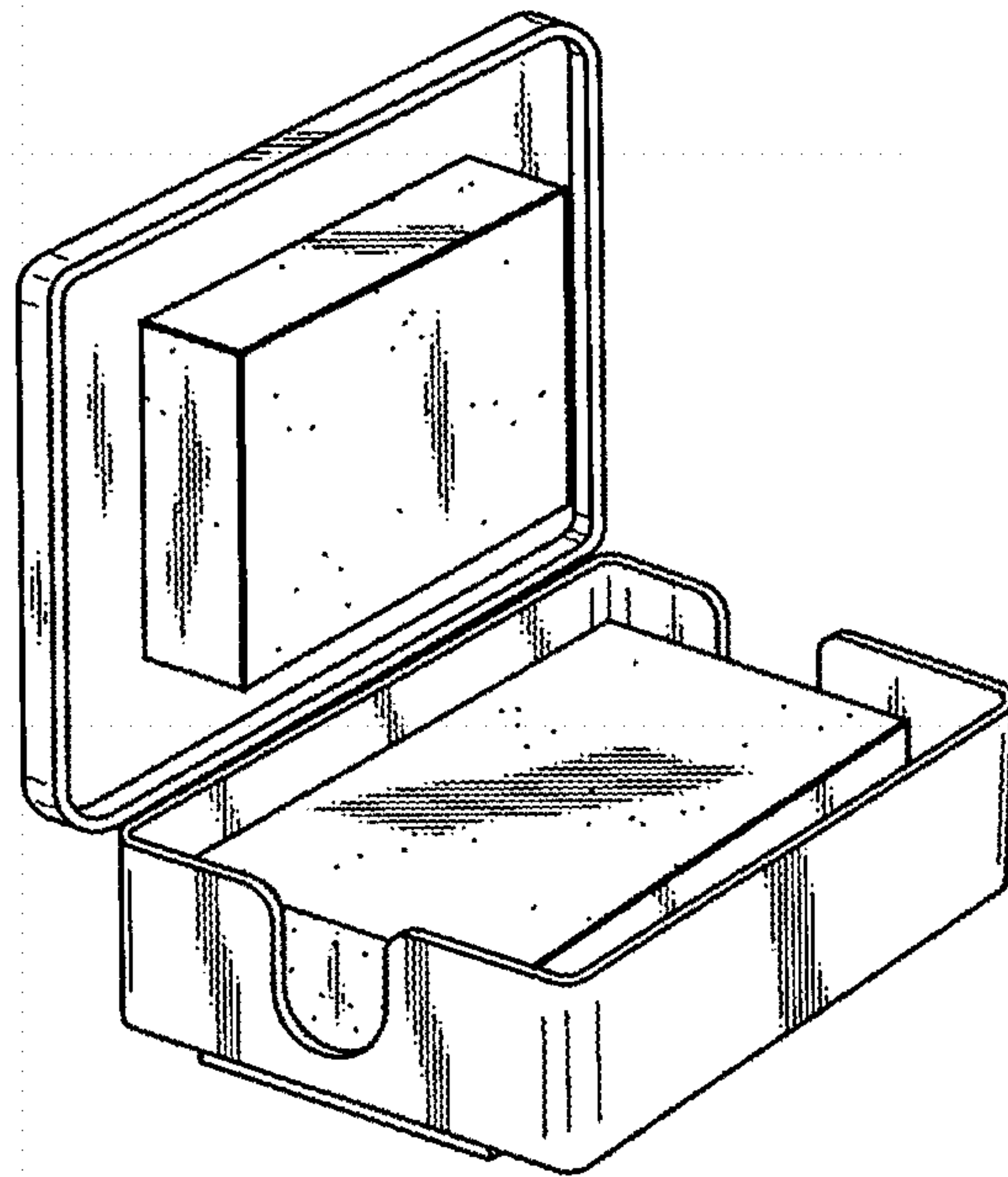


FIG.1

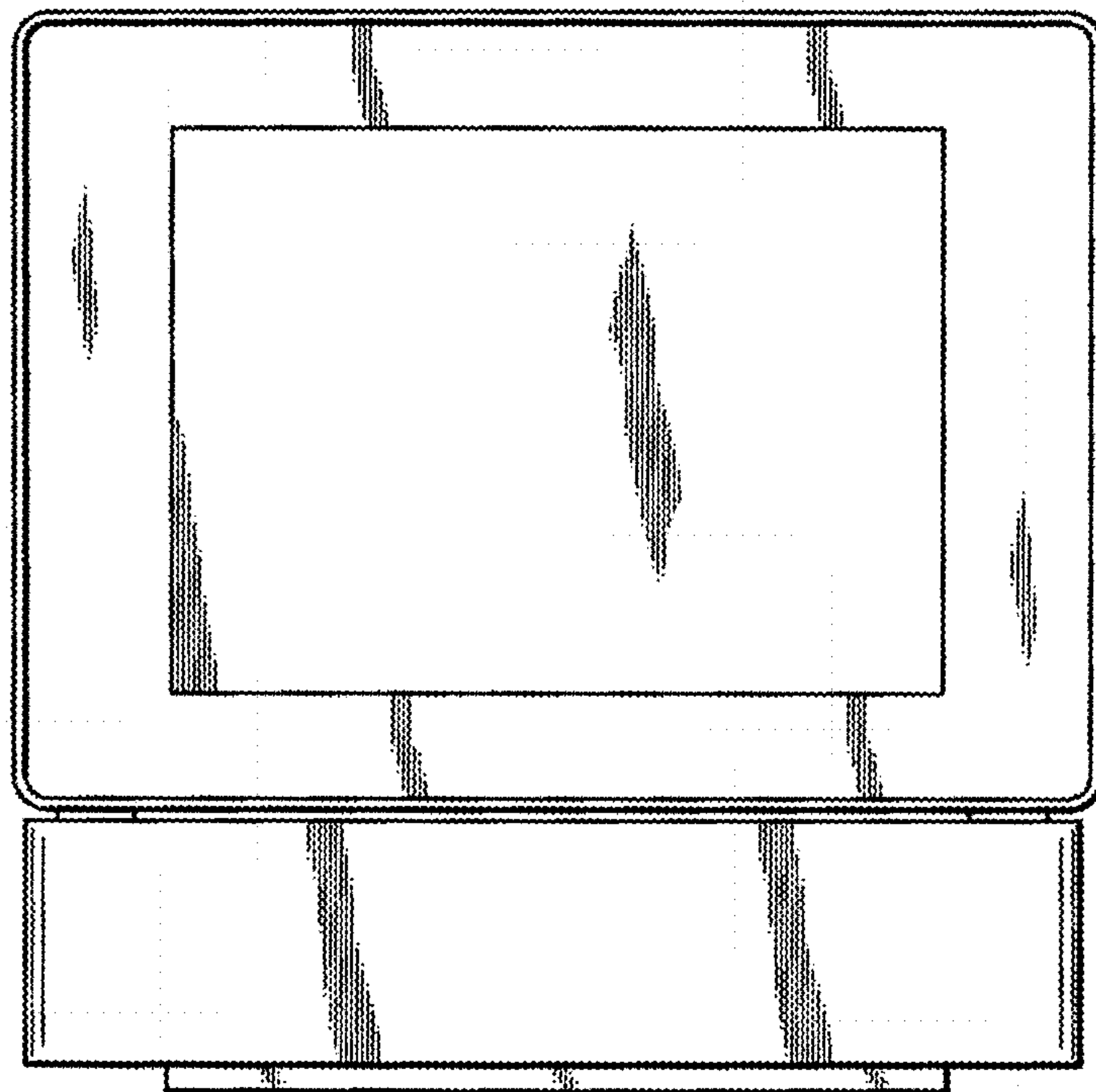


FIG.2

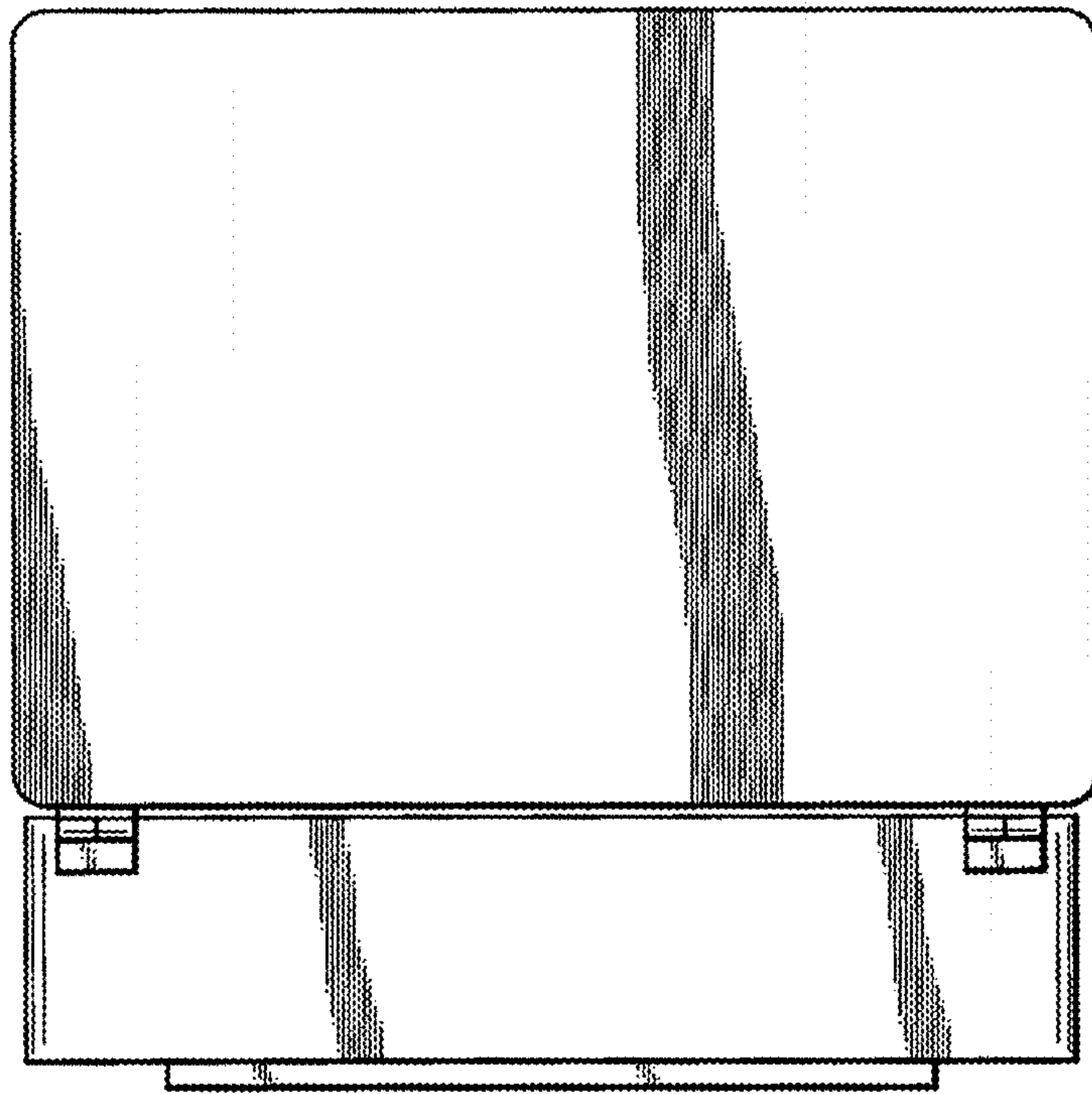


FIG.3

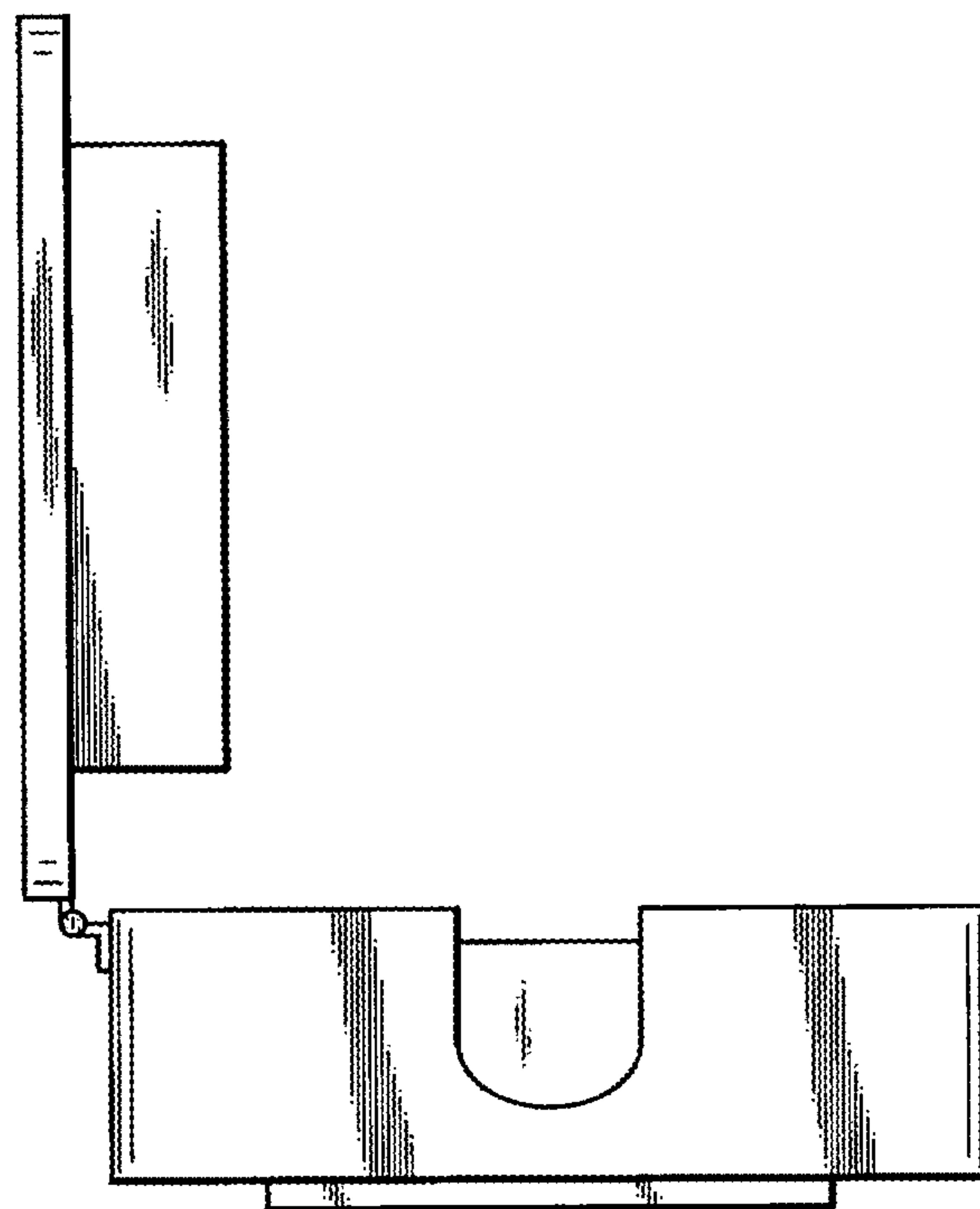


FIG. 4

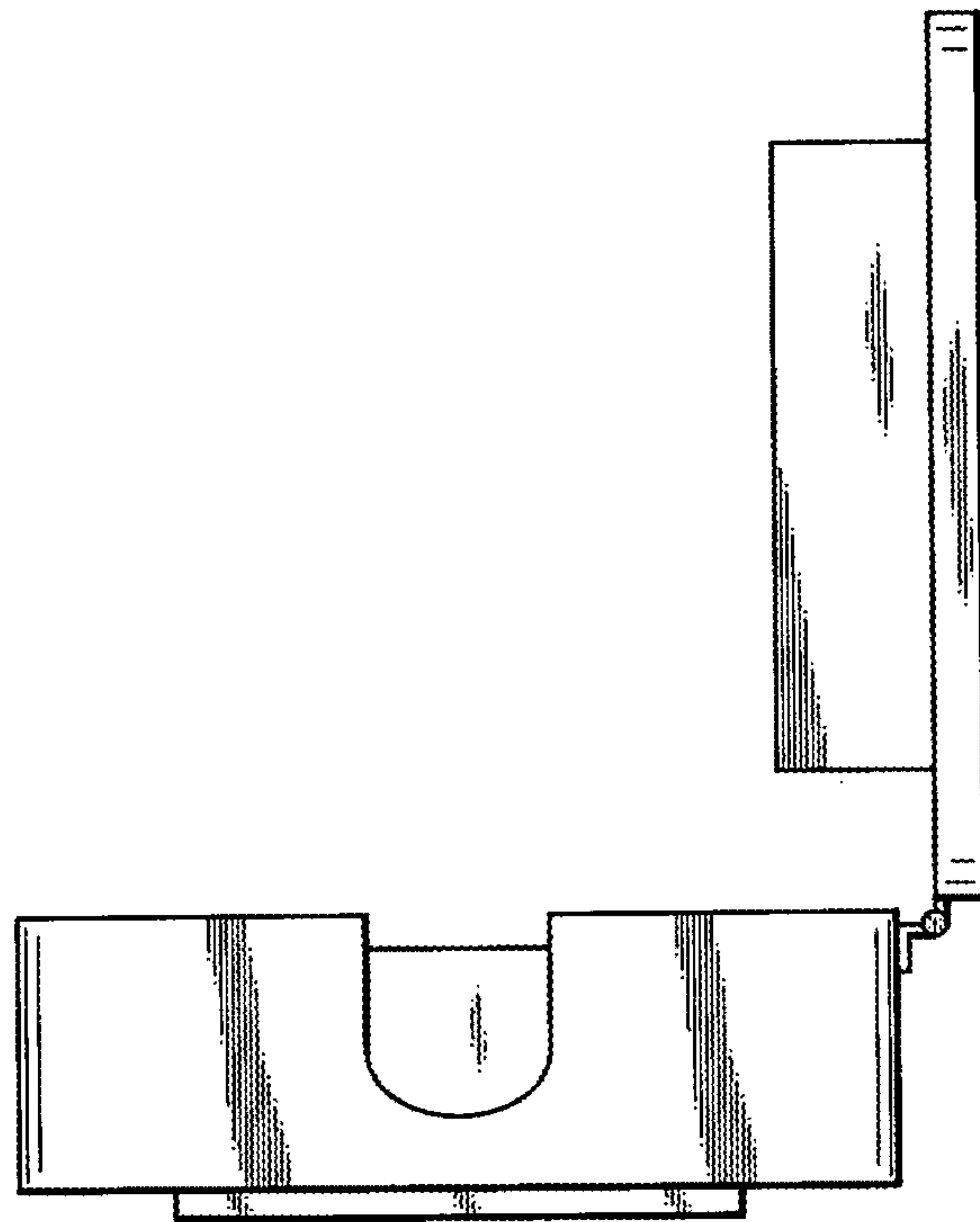


FIG.5

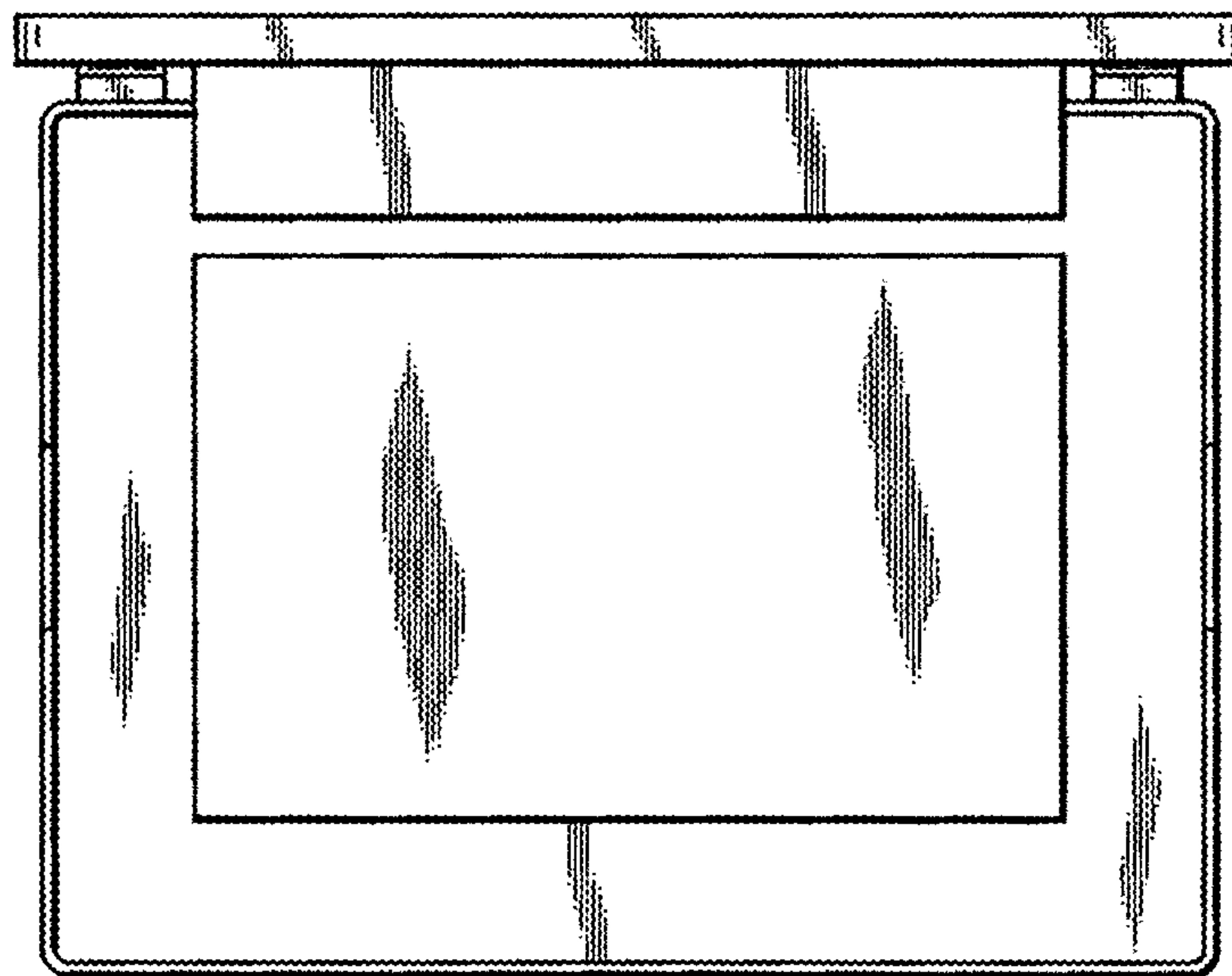


FIG. 6

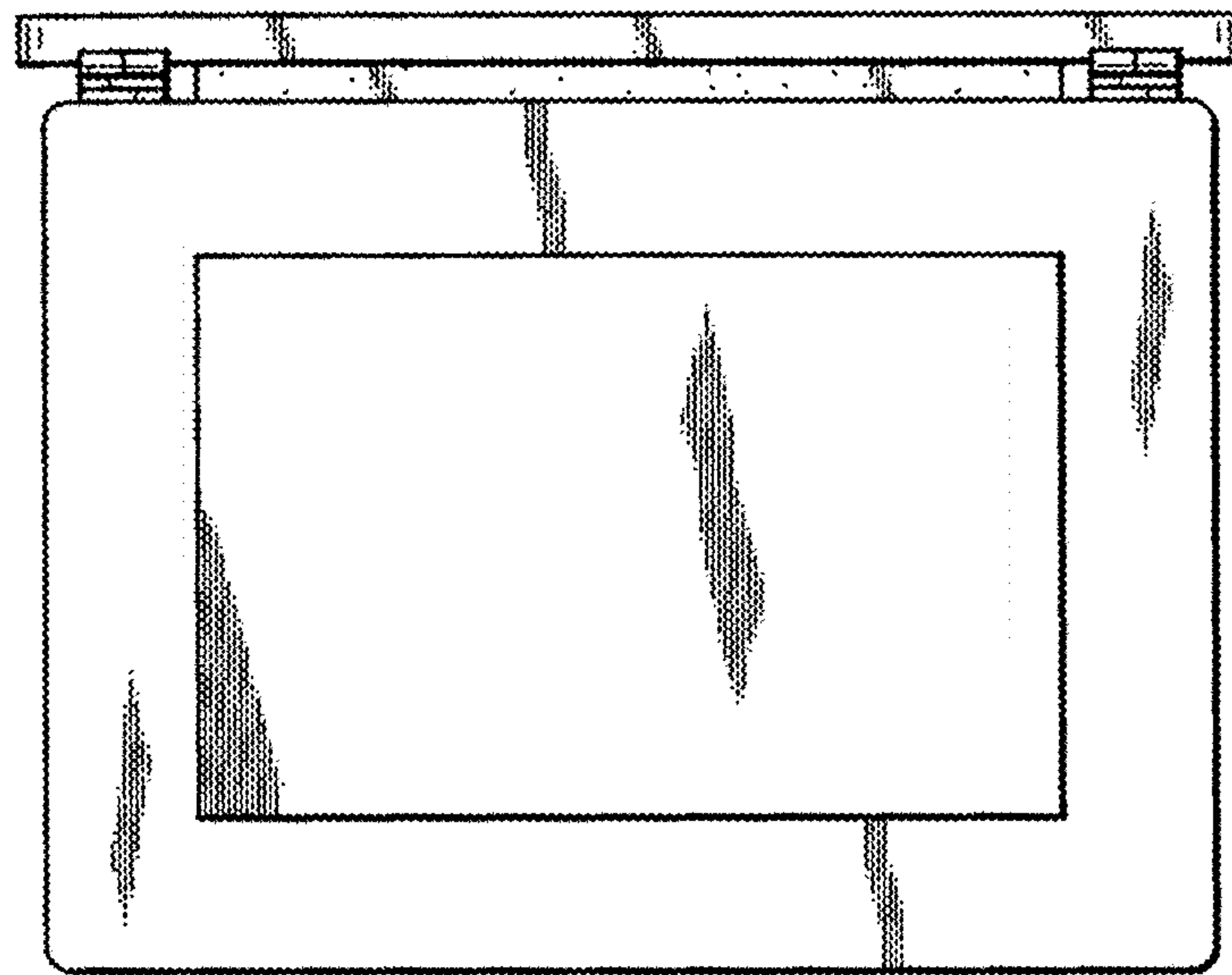


FIG. 7

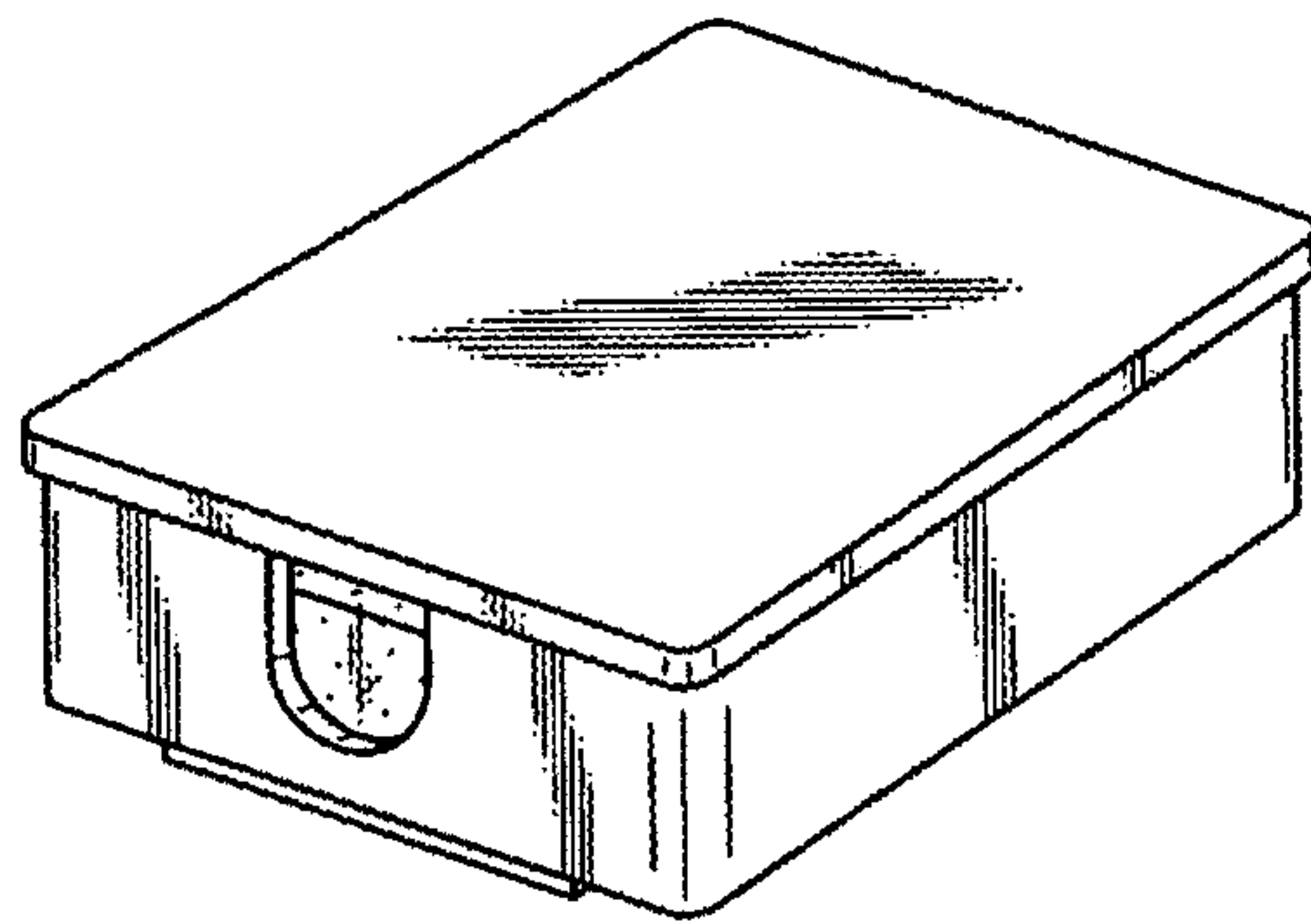


FIG.8