



US00D759921S

(12) **United States Design Patent**
Shields

(10) **Patent No.:** **US D759,921 S**

(45) **Date of Patent:** **** Jun. 21, 2016**

(54) **FLOOR CLEANER ACCESSORY TOOL**

(71) Applicant: **BISSELL Homecare, Inc.**, Grand Rapids, MI (US)

(72) Inventor: **Patrick K. Shields**, Grand Rapids, MI (US)

(73) Assignee: **BISSELL Homecare, Inc.**, Grand Rapids, MI (US)

(**) Term: **14 Years**

(21) Appl. No.: **29/483,862**

(22) Filed: **Mar. 4, 2014**

(51) **LOC (10) Cl.** **15-05**

(52) **U.S. Cl.**
USPC **D32/32**

(58) **Field of Classification Search**
USPC D32/31-33, 40, 50, 25
CPC A47L 11/4044; A47L 9/02; A47L 13/12;
A47L 13/20; A47L 1/08; A47K 7/02
See application file for complete search history.

(56) **References Cited**

U.S. PATENT DOCUMENTS

D152,843 S *	2/1949	Wagner	D32/50
D245,473 S *	8/1977	Heninger	D32/50
5,470,272 A *	11/1995	Kikuchi et al.	451/344
D374,750 S *	10/1996	Vanderhoef et al.	D32/50
5,896,613 A *	4/1999	Courtney et al.	15/119.2

D417,050 S *	11/1999	Reede	D32/50
D423,743 S *	4/2000	Dawson et al.	D32/40
D460,232 S *	7/2002	Weihrauch	D32/50
D471,334 S *	3/2003	Reede	D32/50
D544,667 S *	6/2007	Nelson et al.	D32/50
D552,812 S *	10/2007	Dotterman et al.	D32/40
D553,317 S *	10/2007	Dotterman et al.	D32/40
D604,918 S *	11/2009	Thomas et al.	D32/40
D685,549 S *	7/2013	Wong	D32/40
D691,771 S *	10/2013	Gao	D32/32
D712,607 S *	9/2014	Crawley	D32/32
2007/0094829 A1 *	5/2007	Dotterman et al.	15/228

* cited by examiner

Primary Examiner — Ruth McInroy

(74) *Attorney, Agent, or Firm* — McGarry Bair PC

(57) **CLAIM**

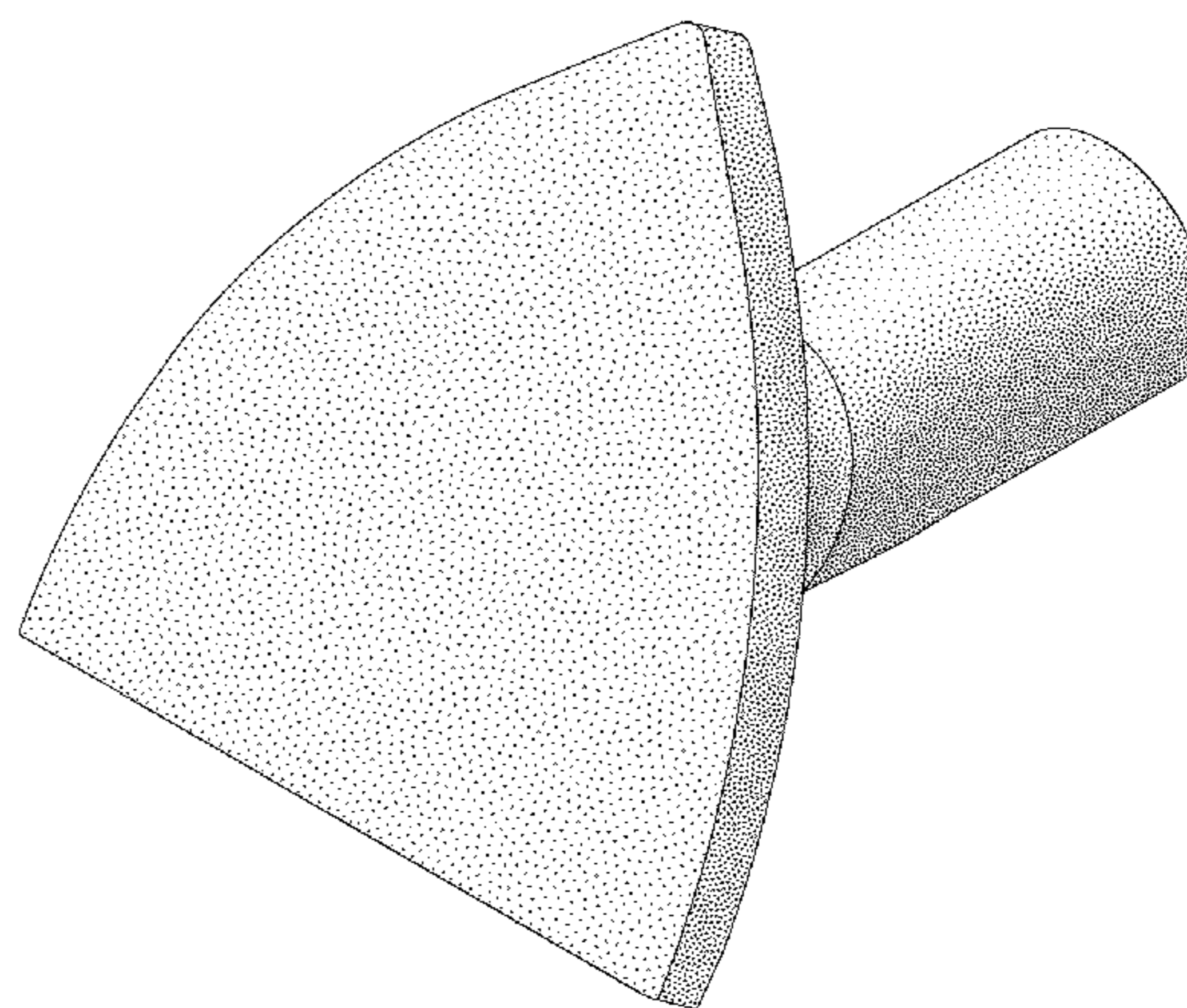
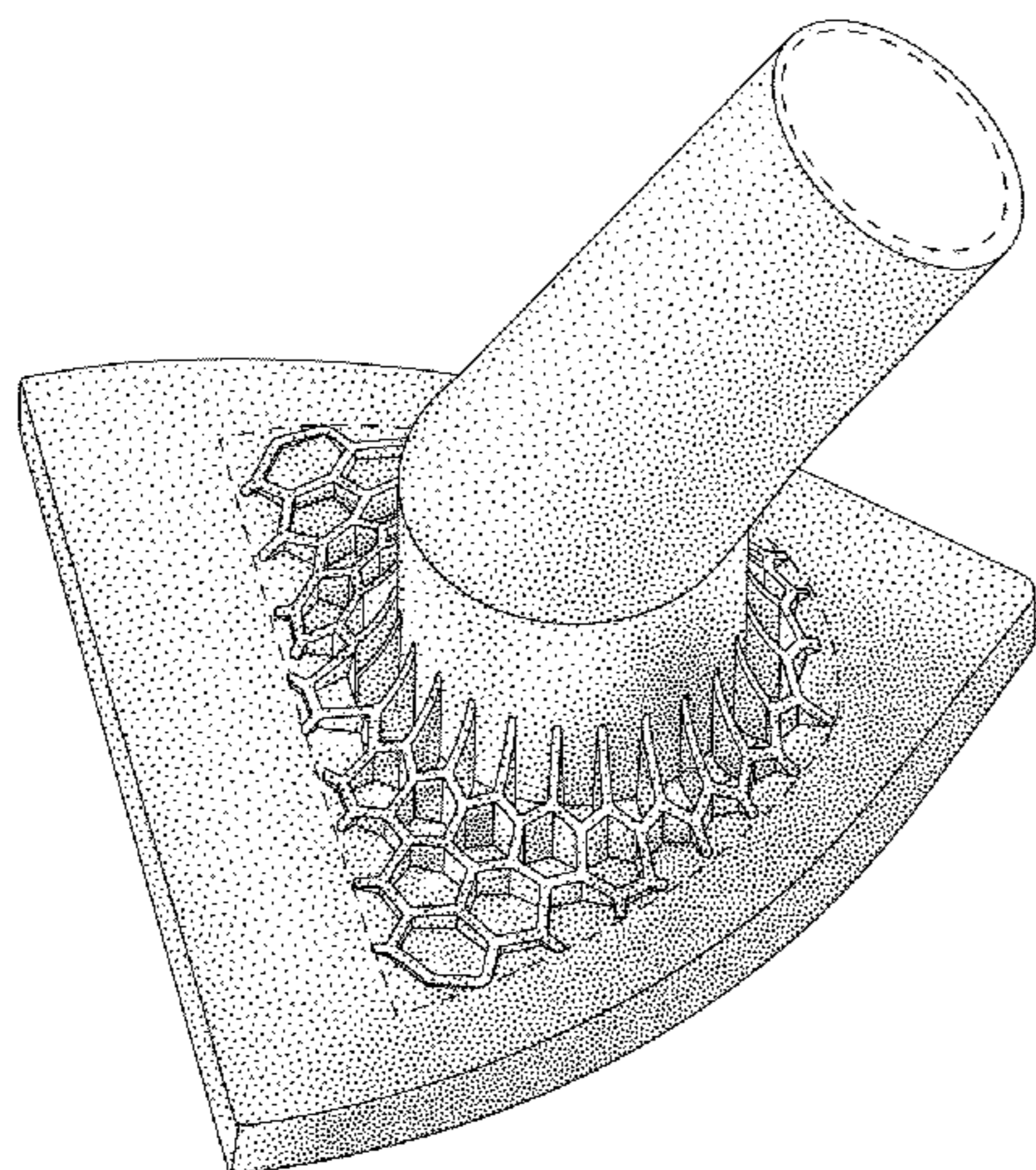
The ornamental design for a floor cleaner accessory tool, as shown and described.

DESCRIPTION

FIG. 1 is a rear perspective view a floor cleaner accessory tool showing my new design;
FIG. 2 is a front perspective view thereof;
FIG. 3 is a front view thereof;
FIG. 4 is a rear view thereof;
FIG. 5 is a right side view thereof;
FIG. 6 is a left side view thereof;
FIG. 7 is a top view thereof; and,
FIG. 8 is a bottom view thereof.

The broken lines in the figures illustrate the boundaries of the claim, and form no part of the claimed design.

1 Claim, 4 Drawing Sheets



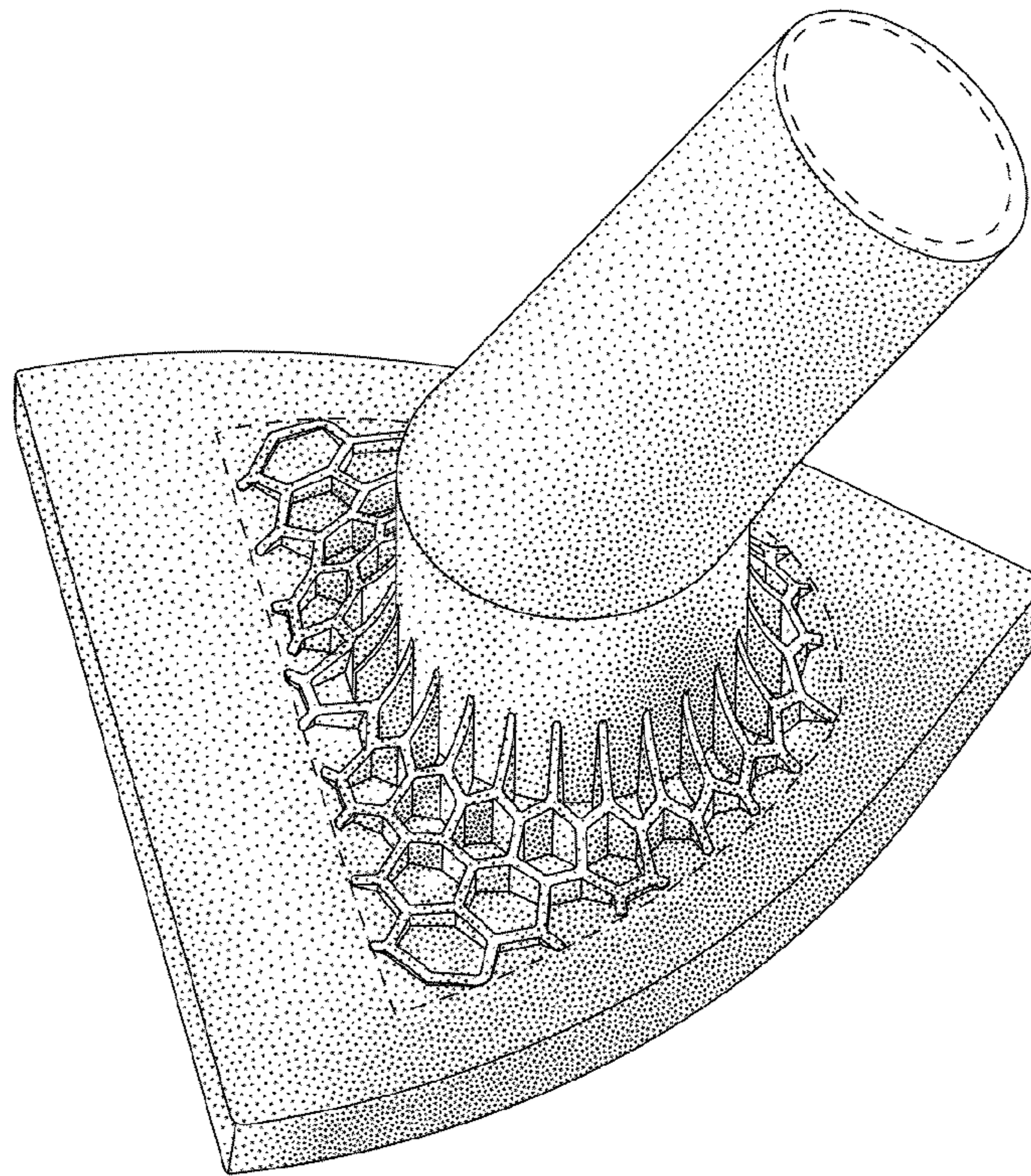


FIG. 1

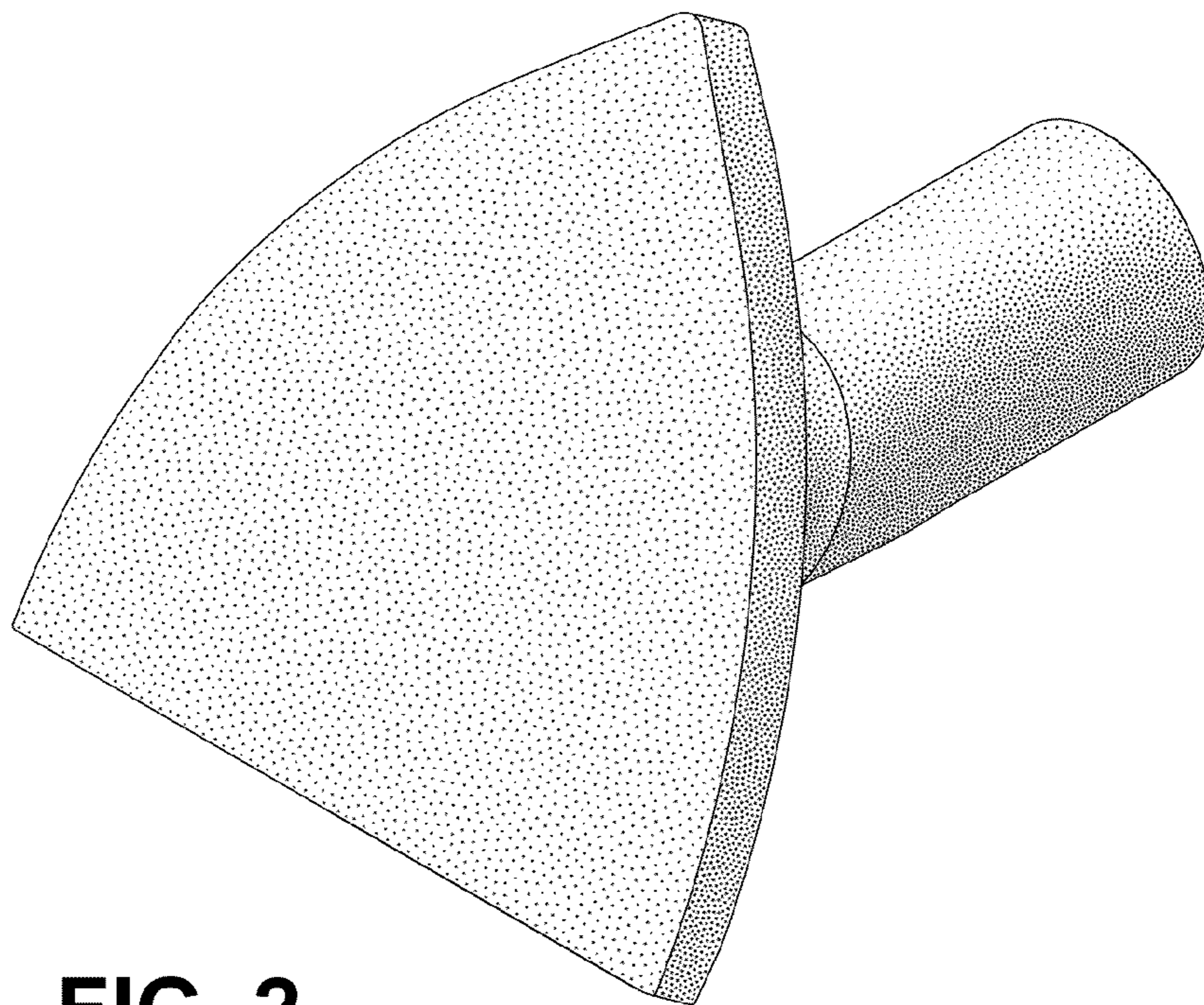


FIG. 2

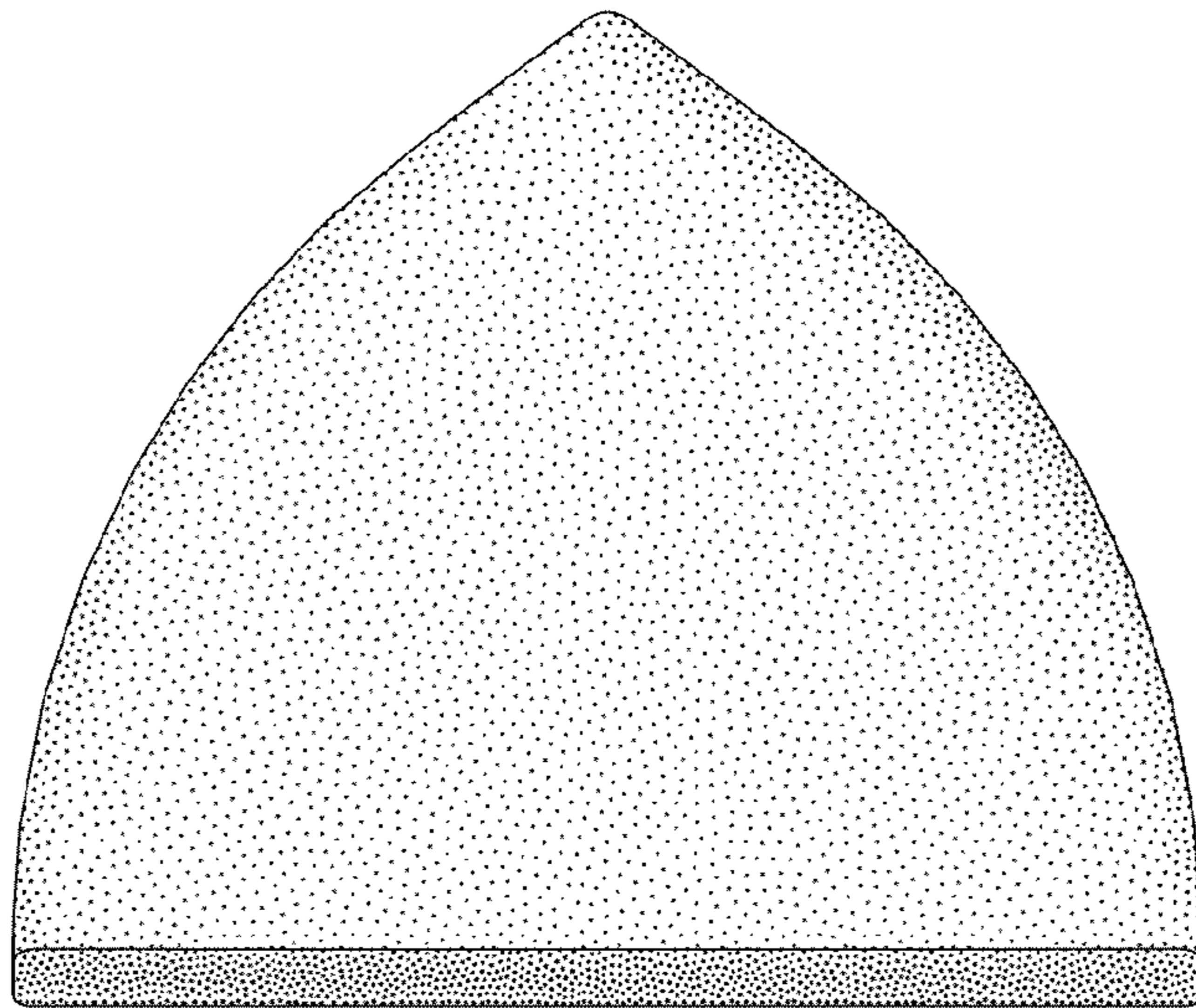


FIG. 3

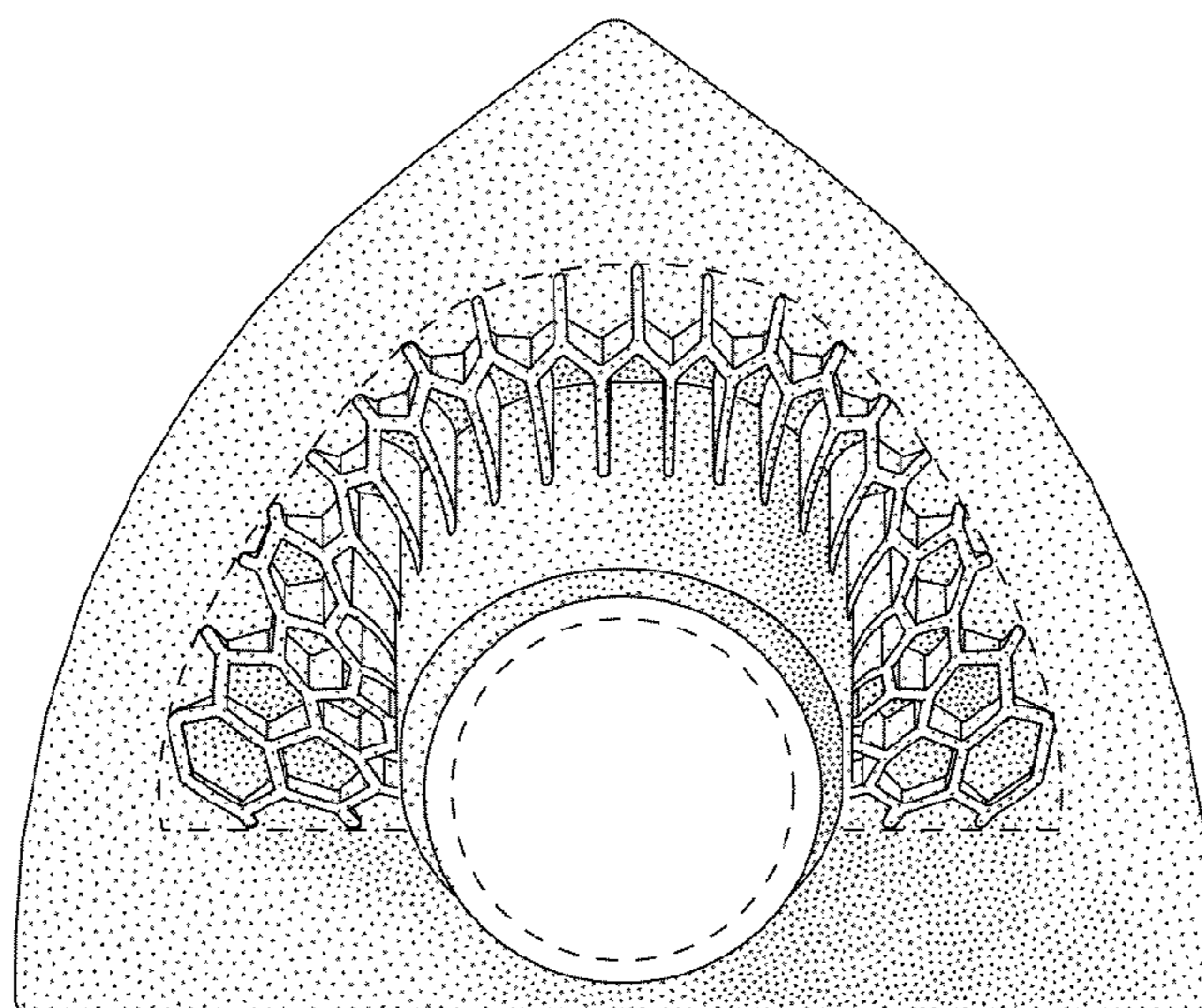


FIG. 4

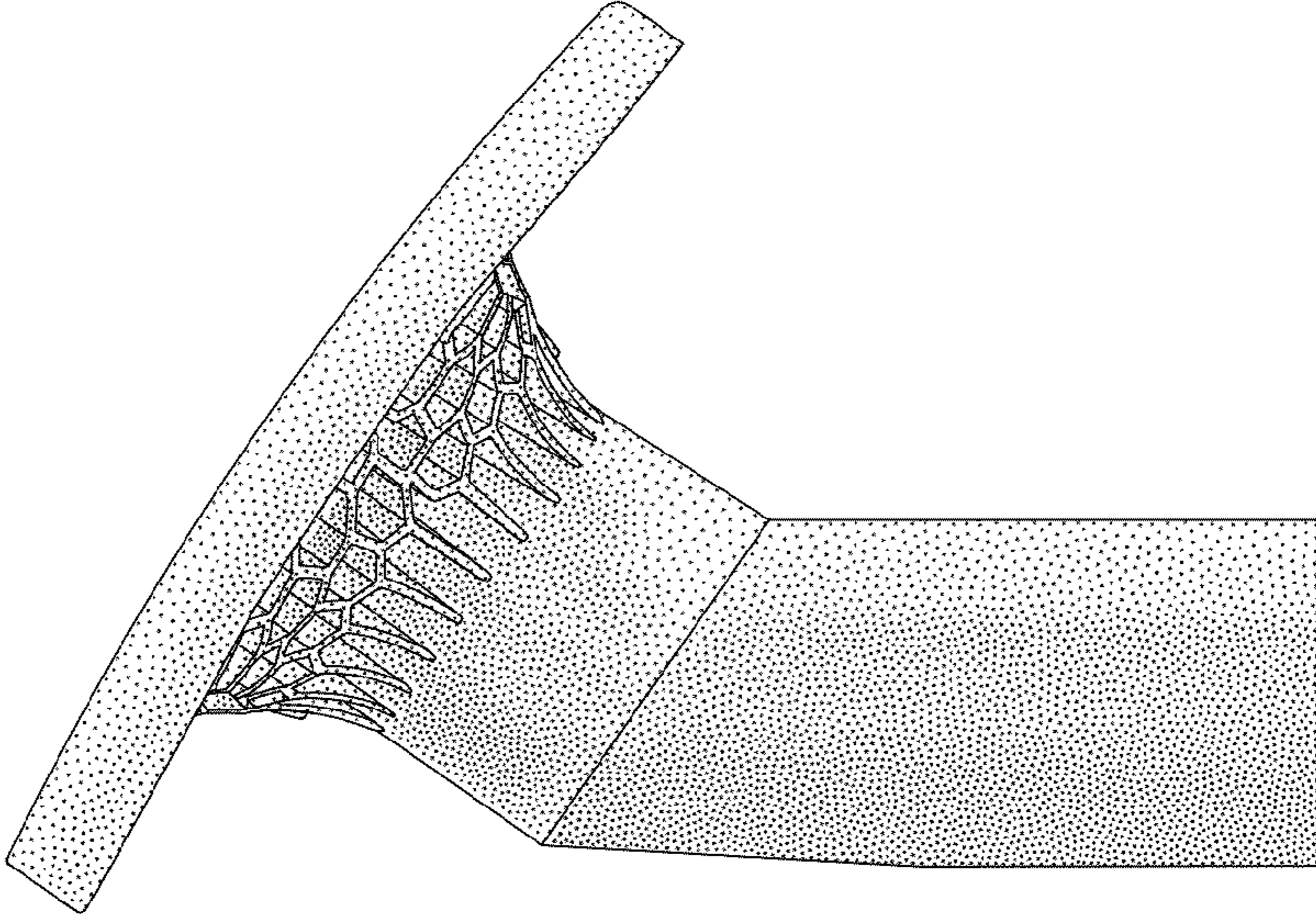


FIG. 5

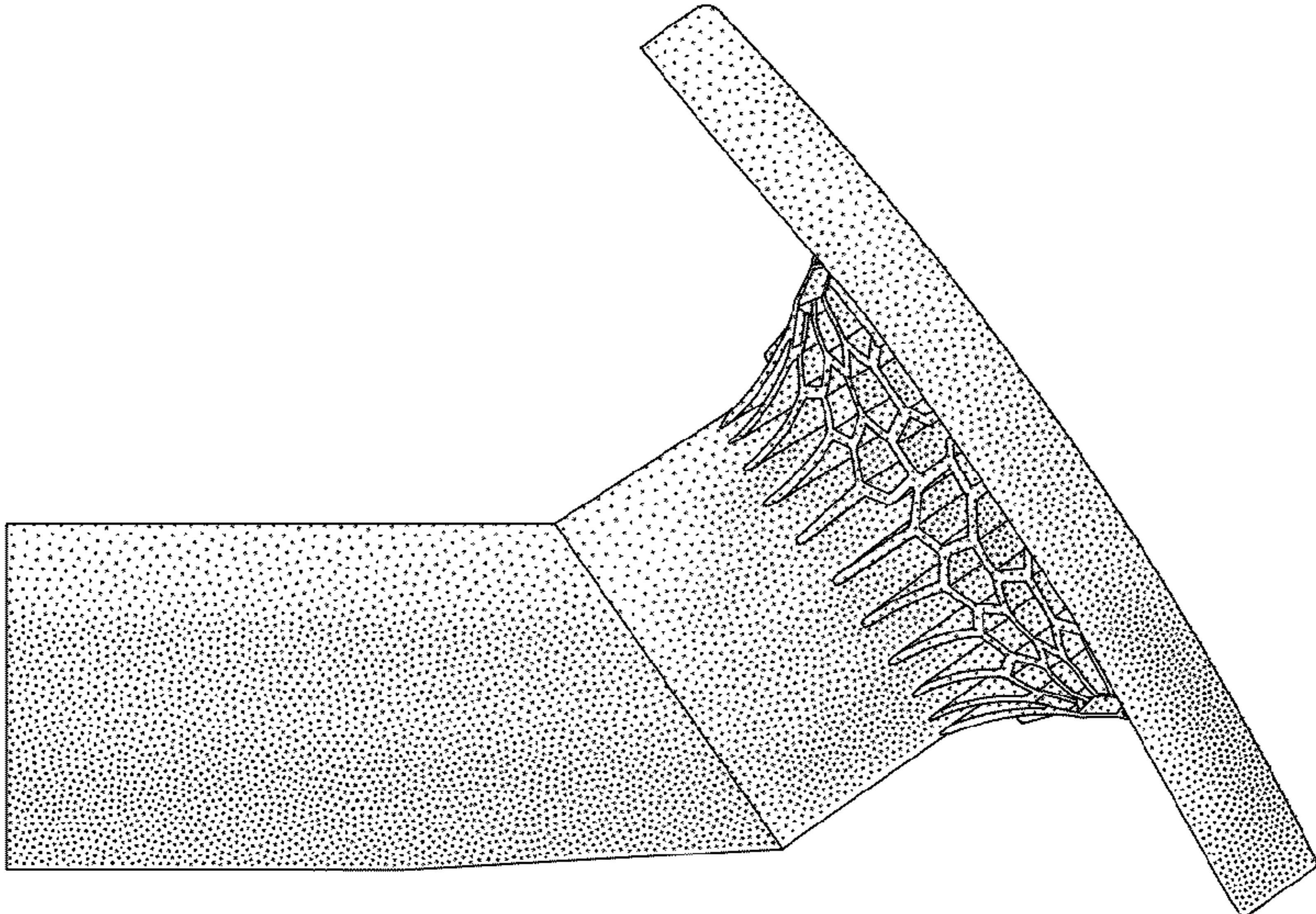


FIG. 6

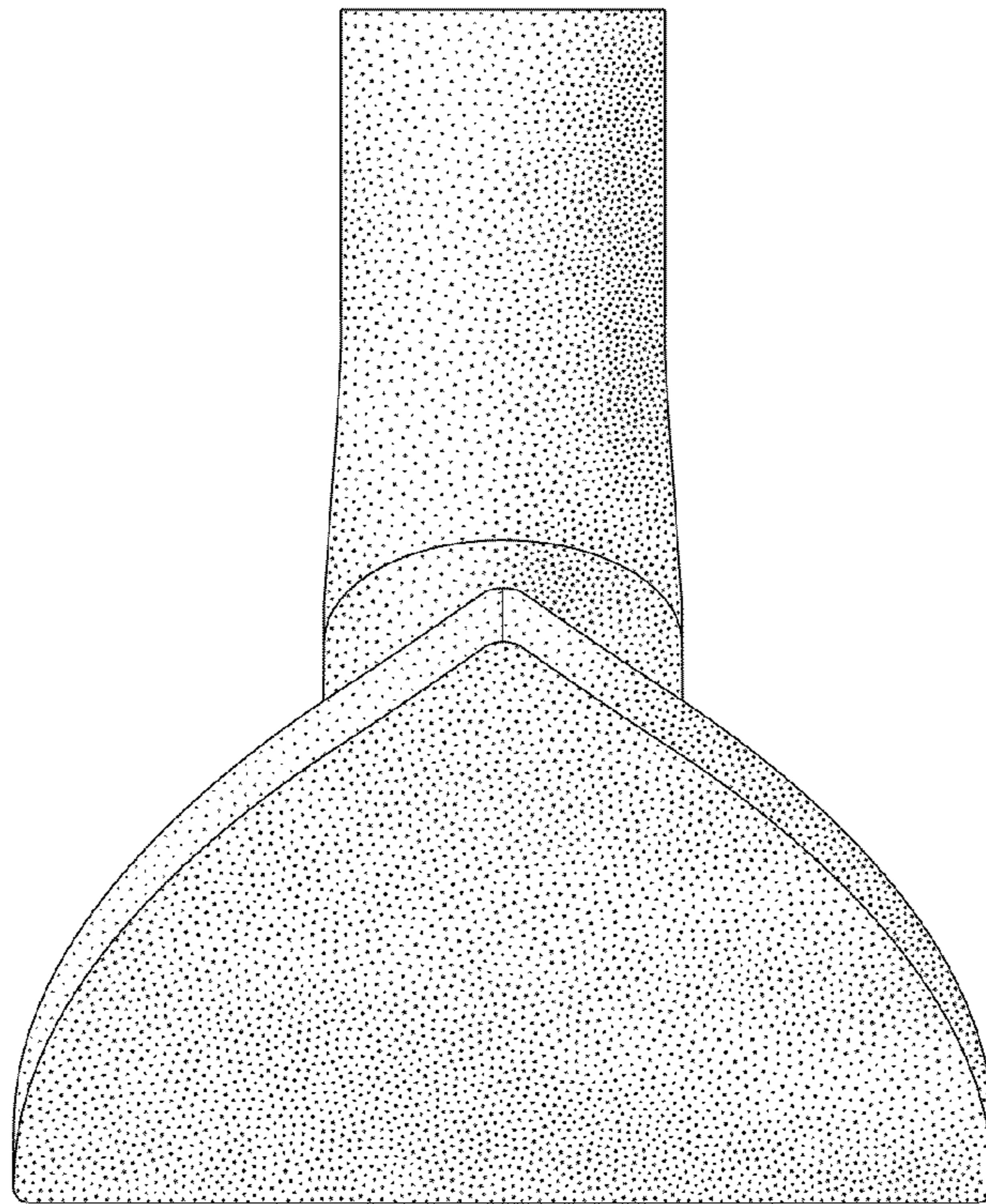


FIG. 7

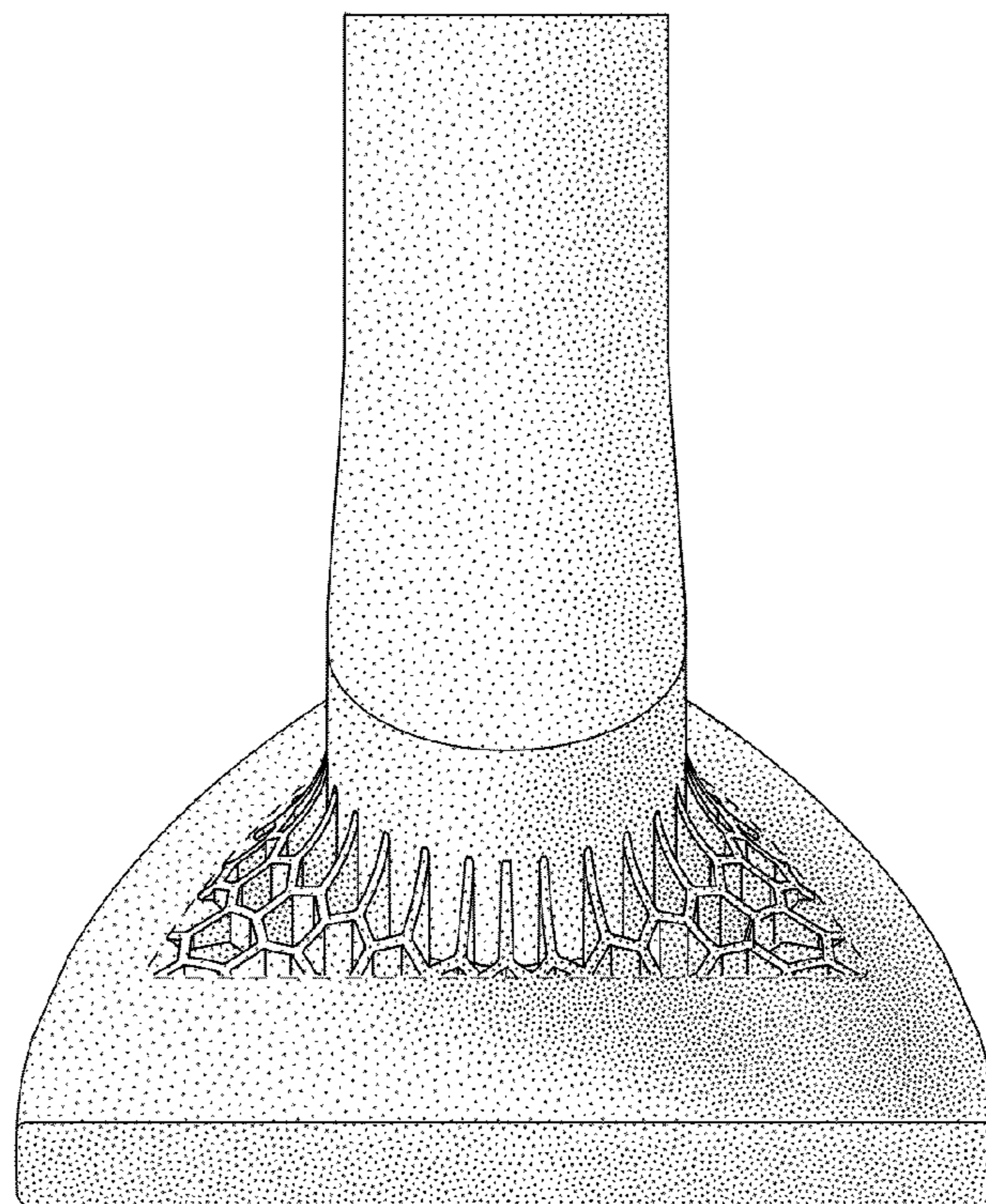


FIG. 8