



US00D759920S

(12) **United States Design Patent**  
**Gray**

(10) **Patent No.:** **US D759,920 S**  
(45) **Date of Patent:** **\*\* Jun. 21, 2016**

(54) **VACUUM CLEANER**

(71) Applicant: **Aktiebolaget Electrolux**, Stockholm (SE)

(72) Inventor: **Anna-Karin Gray**, Stockholm (SE)

(73) Assignee: **Aktiebolaget Electrolux**, Stockholm (SE)

(\*\*) Term: **15 Years**

(21) Appl. No.: **29/541,525**

(22) Filed: **Oct. 5, 2015**

**Related U.S. Application Data**

(62) Division of application No. 29/473,286, filed on Nov. 20, 2013, now Pat. No. Des. 743,124.

(30) **Foreign Application Priority Data**

May 20, 2013 (EM) ..... 002240168  
May 20, 2013 (EM) ..... 002240200

(51) **LOC (10) Cl.** ..... **15-05**

(52) **U.S. Cl.**  
USPC ..... **D32/31**

(58) **Field of Classification Search**  
USPC ..... D32/17-18, 21-24, 31, 34  
CPC ..... A47L 5/28; A47L 5/32; A47L 5/362;  
A47L 5/365; A47L 5/24; A47L 5/34; A47L  
7/0038; A47L 9/26; A47L 9/2857; A47L  
9/20; A47L 9/02; A47L 9/322; A47L 9/325;  
A47L 11/34

See application file for complete search history.

(56) **References Cited**

**U.S. PATENT DOCUMENTS**

D307,656 S \* 5/1990 Yuen ..... D32/22  
D307,657 S \* 5/1990 Li ..... 15/329  
D437,666 S \* 2/2001 Park ..... D32/22

D448,895 S 10/2001 Andreas  
D483,160 S \* 12/2003 Houghton ..... D32/18  
D495,456 S 8/2004 Ågren et al.  
D510,162 S \* 9/2005 Ma ..... D32/18  
D545,011 S \* 6/2007 Ågren ..... D32/22  
D556,397 S 11/2007 Agren et al.  
D556,960 S 12/2007 Fjellman  
D564,149 S 3/2008 Fjellman  
D564,151 S 3/2008 Fjellman  
D564,152 S 3/2008 Fjellman  
D564,153 S 3/2008 Fjellman  
D564,156 S \* 3/2008 Ågren ..... D32/31  
D565,811 S 4/2008 Fjellman  
D565,812 S 4/2008 Fjellman  
D565,814 S \* 4/2008 Ågren ..... D32/22  
D565,816 S \* 4/2008 Agren ..... D32/22  
D566,349 S 4/2008 Agren et al.  
D574,563 S \* 8/2008 Fjellman ..... D32/22  
D577,473 S 9/2008 Ringholm et al.  
D578,259 S 10/2008 Ågren et al.

(Continued)

*Primary Examiner* — Ruth McInroy

(74) *Attorney, Agent, or Firm* — Banner & Witcoff, Ltd.

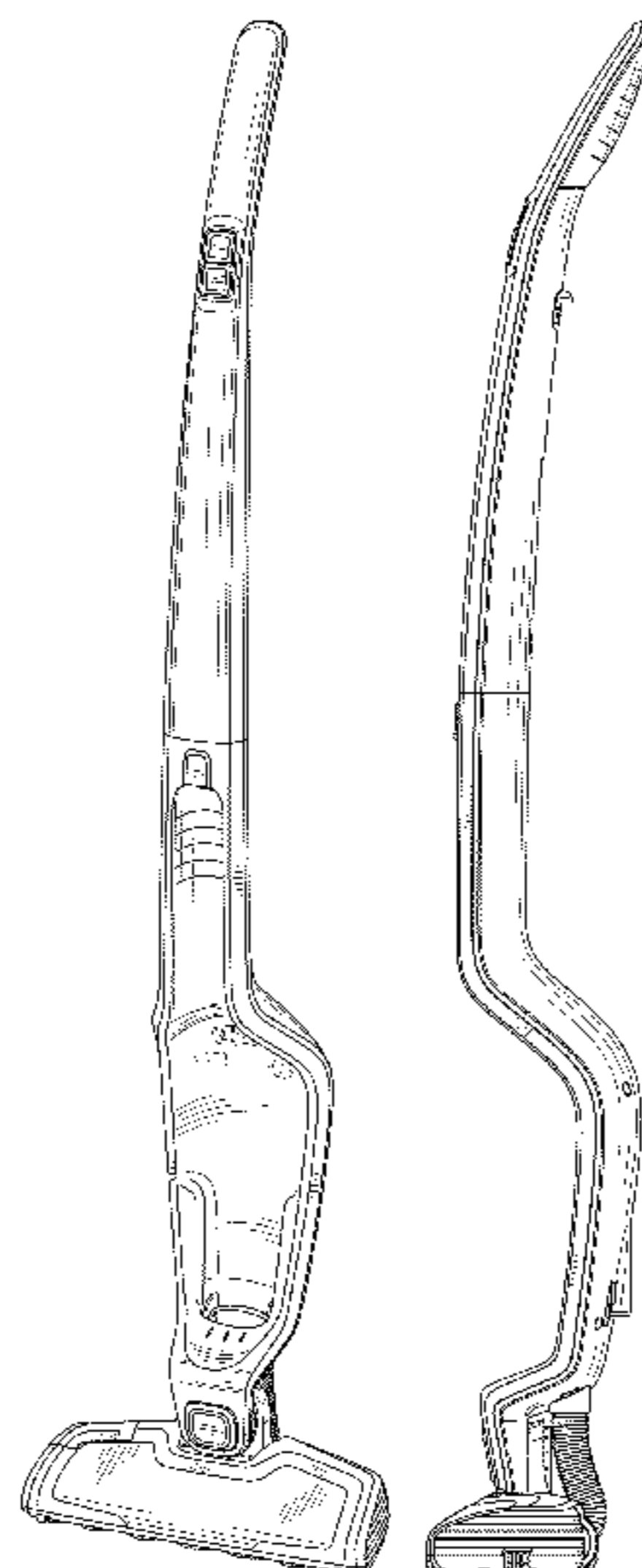
(57) **CLAIM**

The ornamental design for a vacuum cleaner, as shown and described.

**DESCRIPTION**

FIG. 1 is a perspective view of a vacuum cleaner showing my new design;  
FIG. 2 is a front view thereof,  
FIG. 3 is a right side view thereof;  
FIG. 4 is a left side view thereof;  
FIG. 5 is a rear view thereof;  
FIG. 6 is a bottom view thereof; and,  
FIG. 7 is a top view thereof.  
The broken lines showing of various regions of the vacuum cleaner is for environmental purposes only and forms no part of the claimed design.

**1 Claim, 7 Drawing Sheets**



(56)

**References Cited**

U.S. PATENT DOCUMENTS

D582,111 S *	12/2008	Ågren .....	D32/22	D680,286 S *	4/2013	Gray .....	D32/22
D592,818 S	5/2009	Sun .....		D728,176 S *	4/2015	Yu .....	D32/22
D613,469 S *	4/2010	Agren .....	D32/22	D743,124 S *	11/2015	Gray .....	D32/22
D636,954 S *	4/2011	Liu .....	D32/22	2007/0136984 A1 *	6/2007	Hsu .....	A47L 5/225 15/339
D643,980 S *	8/2011	Kim .....	D32/22	2007/0271724 A1 *	11/2007	Hakan .....	A47L 5/225 15/329
D648,496 S	11/2011	Luyckx et al.		2010/0242209 A1	9/2010	Beskow et al.	
8,151,411 B2	4/2012	Beskow et al.		2015/0067981 A1 *	3/2015	Faremo .....	A47L 5/28 15/354

\* cited by examiner

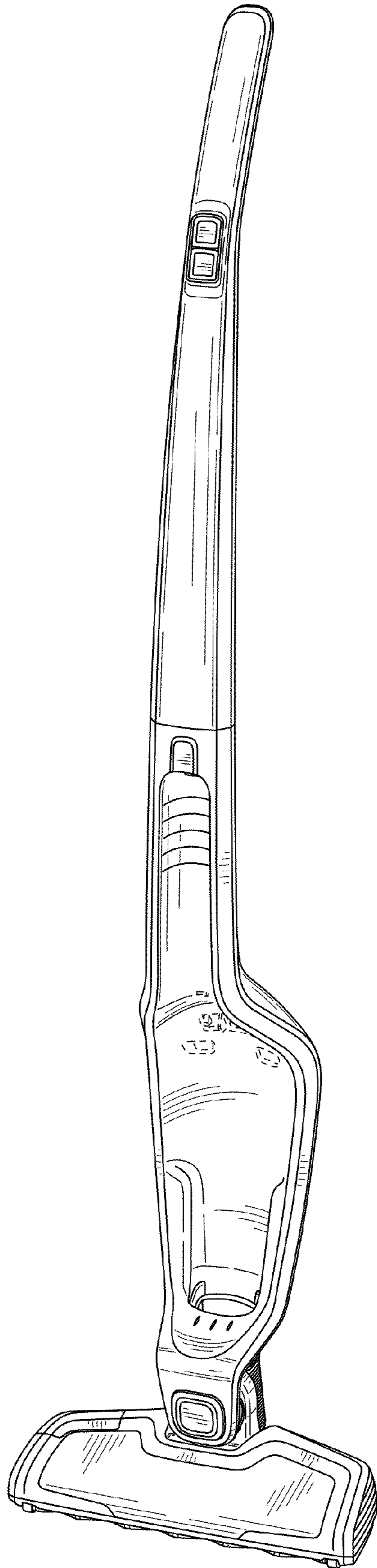


FIG. 1

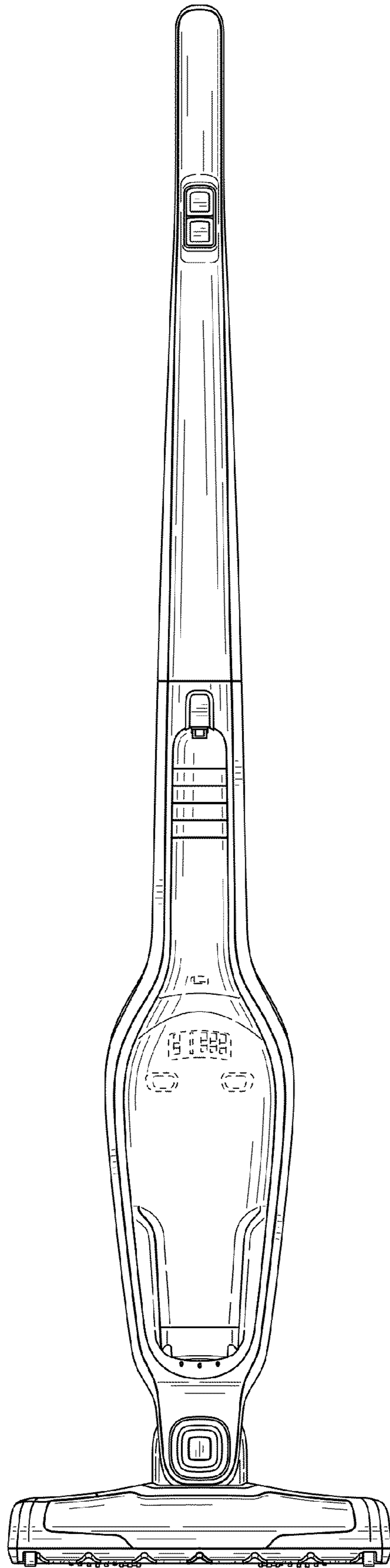


FIG. 2

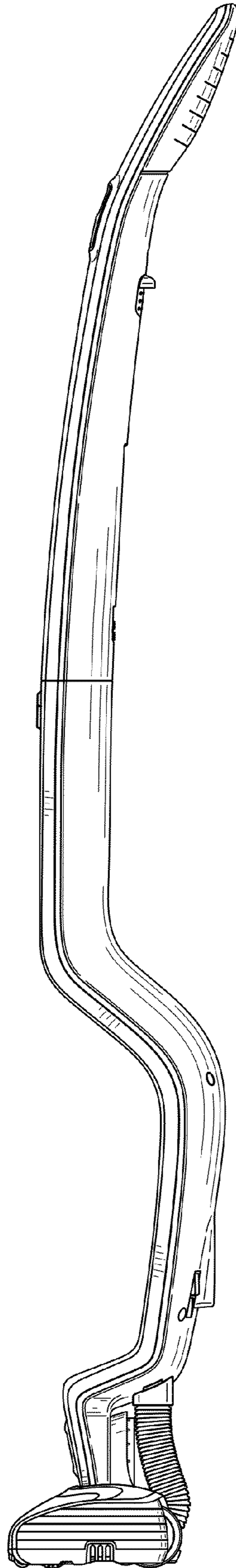


FIG. 3

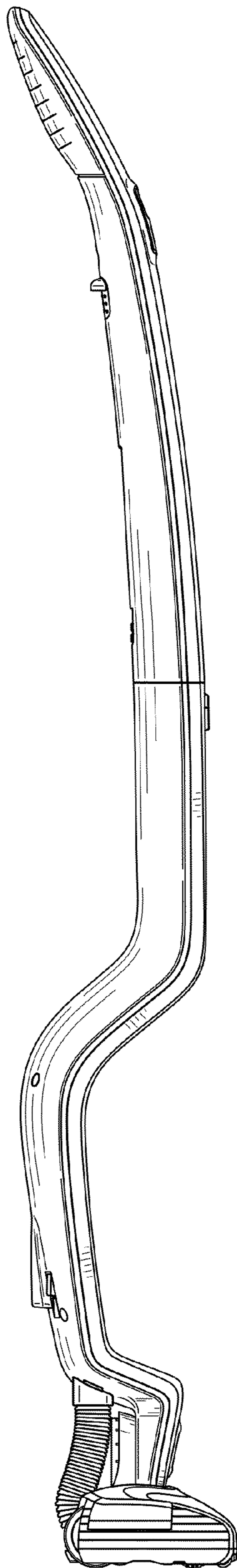


FIG. 4

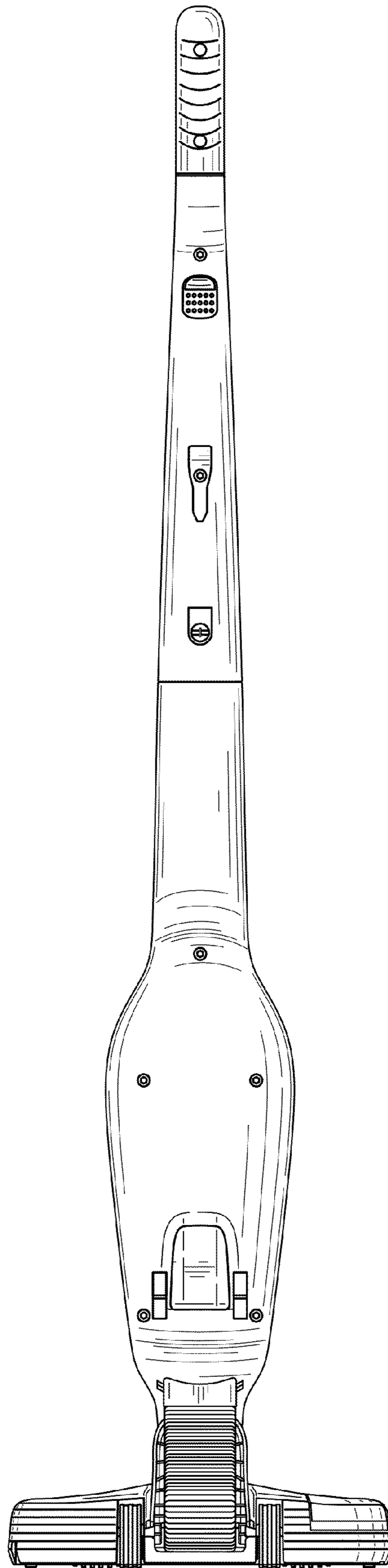


FIG. 5

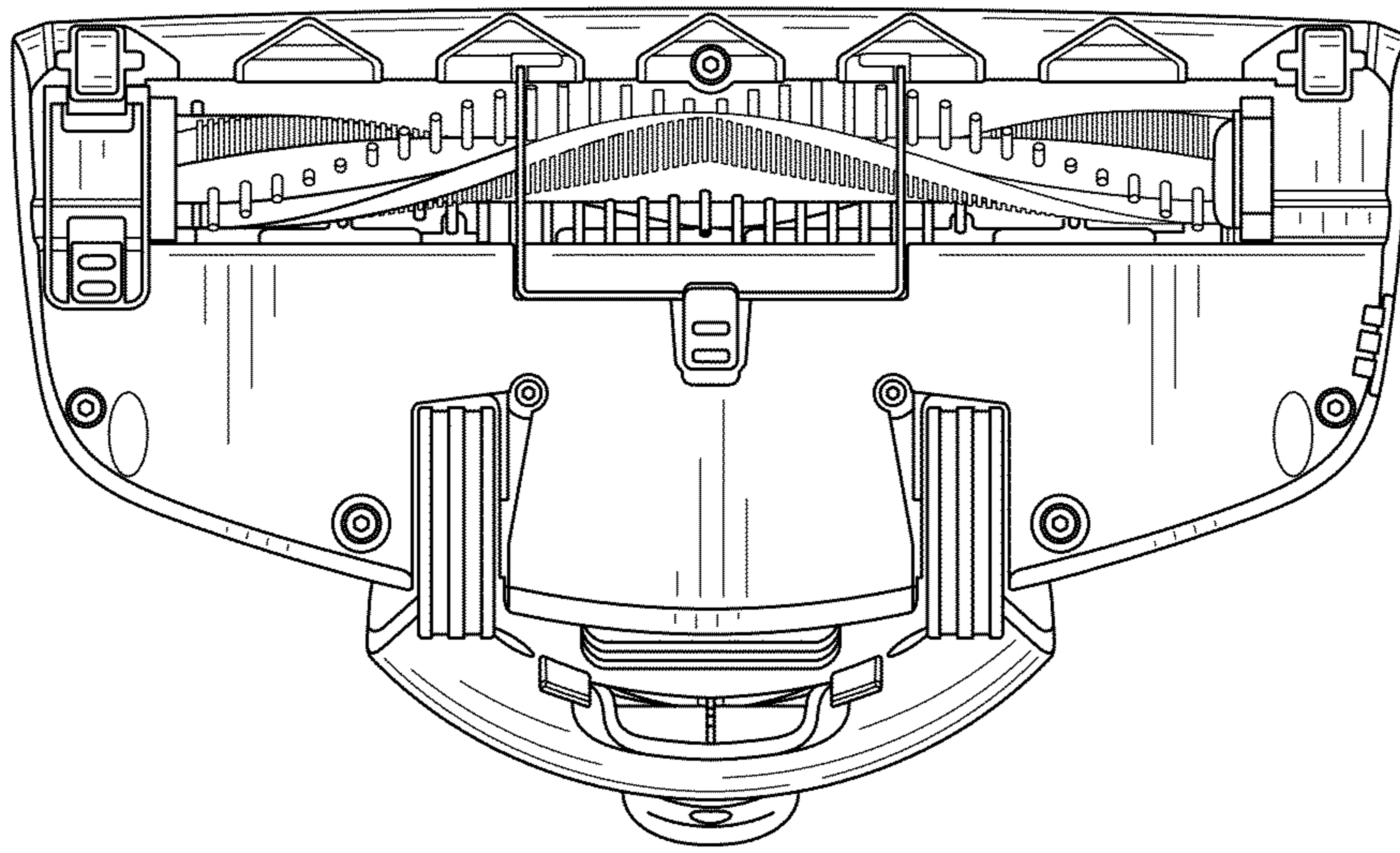


FIG. 6



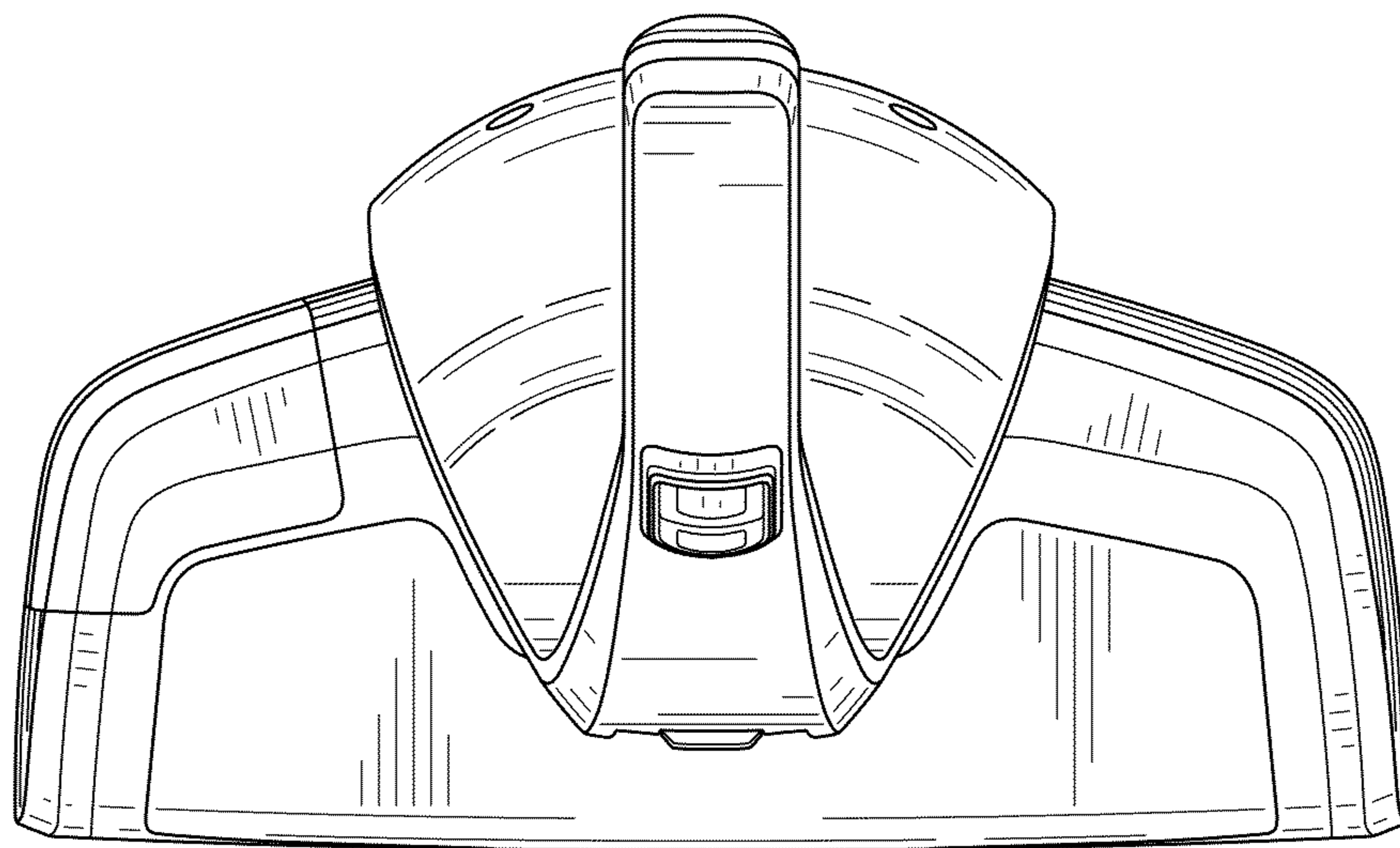


FIG. 7