



US00D759917S

(12) **United States Design Patent**
Choi et al.

(10) **Patent No.:** **US D759,917 S**
(45) **Date of Patent:** **** Jun. 21, 2016**

(54) **CONTROL PANEL FOR WASHING MACHINE**

FOREIGN PATENT DOCUMENTS

(71) Applicant: **Samsung Electronics Co., Ltd.**,
Suwon-si (KR)

EM 001177109-0013 11/2009
KR 30-2009-0041384 9/2010

(72) Inventors: **Hyoung-Sub Choi**, Goyang-si (KR);
Deok-Sang Yun, Ahnsan-Si (KR);
Jung-Hoon Hwang, Yongin-si (KR);
Dong-Hyuk Uim, Seoul (KR)

OTHER PUBLICATIONS

Compareraja. "Whirlpool Explore 855 LEW Fully Automatic 5.5 KG Front Load Washing Machine Best Price." [2014] www.compareraja.in. <<http://www.compareraja.com/whirlpool-explore-855-lew-fully-automatic-55-kg-front-load-washing-machine-price.html>>.

(73) Assignee: **Samsung Electronics Co., Ltd.**,
Suwon-si (KR)

(Continued)

(**) Term: **14 Years**

Primary Examiner — Rosemary K Tarcza

(21) Appl. No.: **29/522,758**

Assistant Examiner — Yolanda Robinson

(22) Filed: **Apr. 2, 2015**

(74) *Attorney, Agent, or Firm* — NSIP Law

(30) **Foreign Application Priority Data**

Oct. 21, 2014 (KR) 30-2014-0050404

(51) **LOC (10) Cl.** **15-05**

(52) **U.S. Cl.**
USPC **D32/28**

(58) **Field of Classification Search**
USPC D32/28, 3-6, 10, 25; 34/87-89,
34/595-597; 68/3 R, 5 R; D7/405
CPC D06F 39/005; D06F 39/00; D06F 39/14;
D06F 58/00; D06F 58/02; D05F 58/04
See application file for complete search history.

(57) **CLAIM**

We claim the ornamental design for a control panel for washing machine, as shown and described.

(56) **References Cited**

U.S. PATENT DOCUMENTS

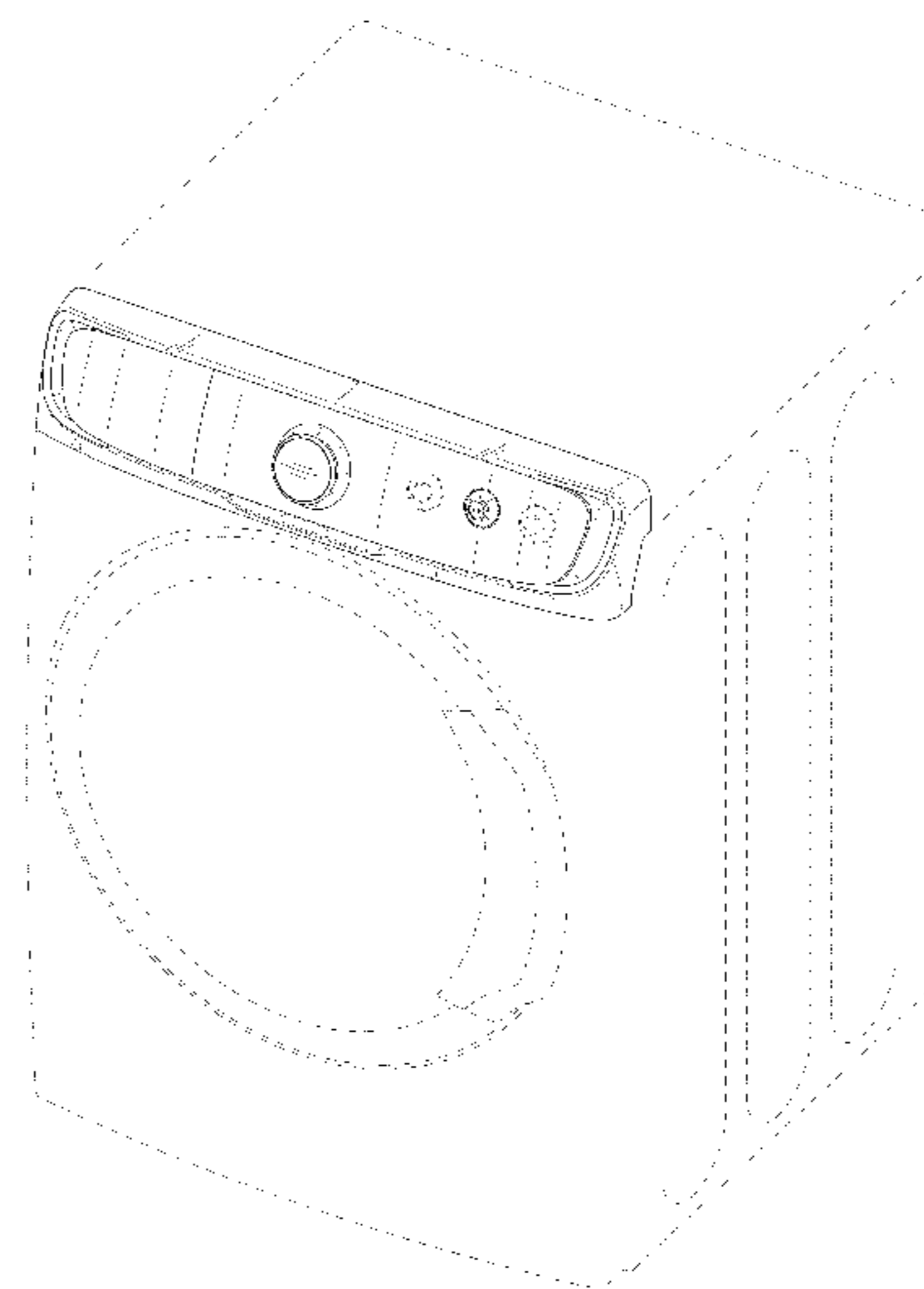
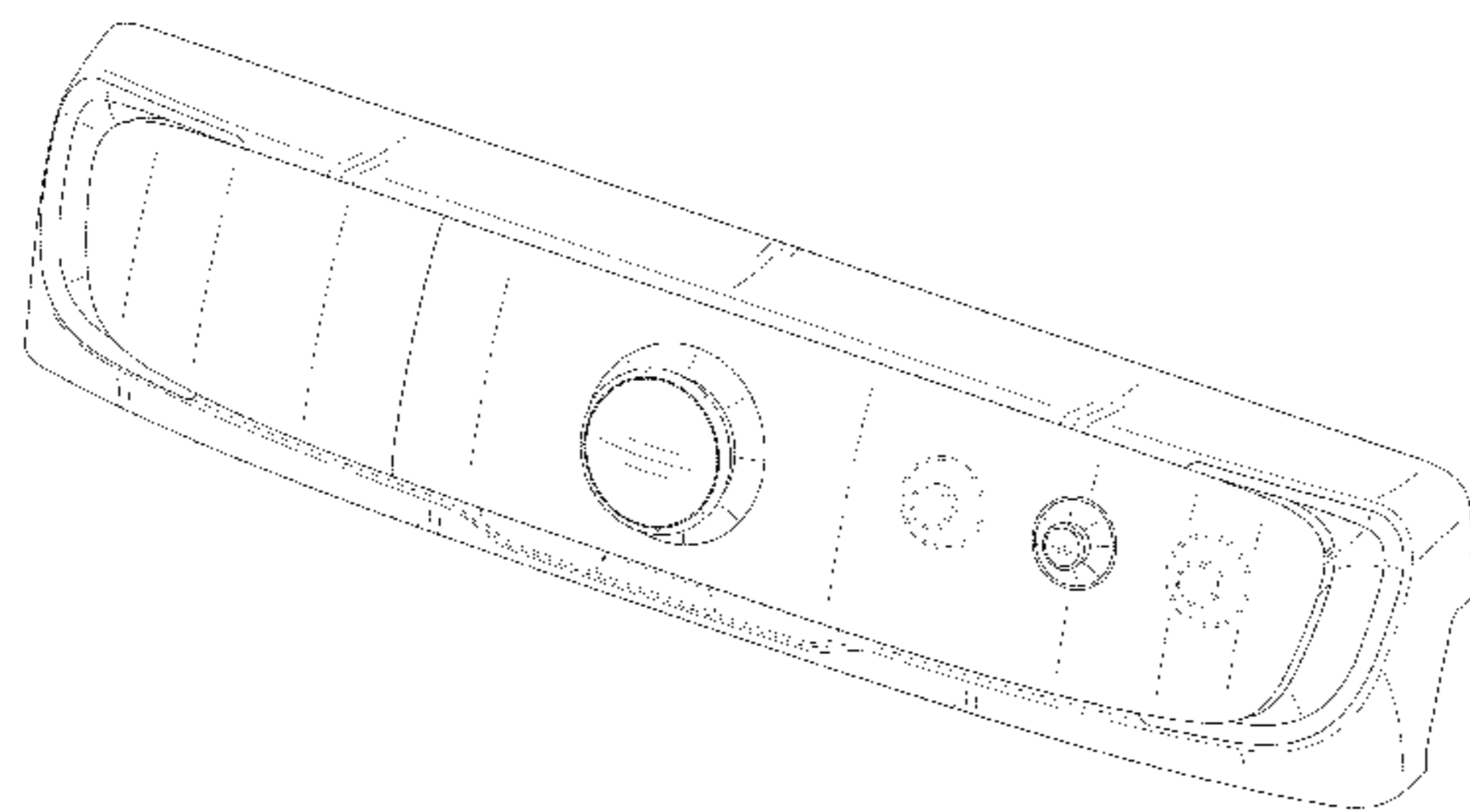
D518,256 S * 3/2006 Kim D32/25
D522,193 S * 5/2006 Carey D32/28
D646,859 S * 10/2011 DeSalvo D32/25
D681,892 S * 5/2013 Meda D32/28
D684,740 S * 6/2013 Geyer D32/28
D696,478 S * 12/2013 Geyer D32/6
D697,678 S * 1/2014 Jeon D32/6

DESCRIPTION

FIG. 1 is a front perspective view of a control panel for washing machine showing our new design;
FIG. 2 is a front view thereof;
FIG. 3 is a rear view thereof;
FIG. 4 is a left-side view thereof;
FIG. 5 is a right-side view thereof;
FIG. 6 is a top view thereof;
FIG. 7 is a bottom view thereof; and,
FIG. 8 is another front perspective view thereof in which a washing machine is provided in broken lines to illustrate an example environment.
The broken lines in the figures show portions of the control panel for washing machine which form no part of the claimed design.

(Continued)

1 Claim, 5 Drawing Sheets



(56)

References Cited

U.S. PATENT DOCUMENTS

D701,656 S * 3/2014 Choi D32/6
D731,127 S * 6/2015 Ha D32/6
D731,719 S * 6/2015 Borjesson D32/6
D734,572 S * 7/2015 Choi D32/6
D744,179 S * 11/2015 Lee D32/28
2007/0180728 A1* 8/2007 Kim D06F 39/005
34/88
2009/0217545 A1* 9/2009 Banicevic D06F 39/12
34/89

2012/0169193 A1* 7/2012 Kim D06F 39/005
312/228
2013/0091904 A1* 4/2013 Kim A47L 15/4293
68/3 R

OTHER PUBLICATIONS

NativeForeigner. "File:LGwashingmachine.jpg." [2010]
en.wikipedia.org. Feb. 18, 2010. <[http://en.wikipedia.org/wiki/
File:LGwashingmachine.jpg](http://en.wikipedia.org/wiki/File:LGwashingmachine.jpg)>.

* cited by examiner

FIG. 1

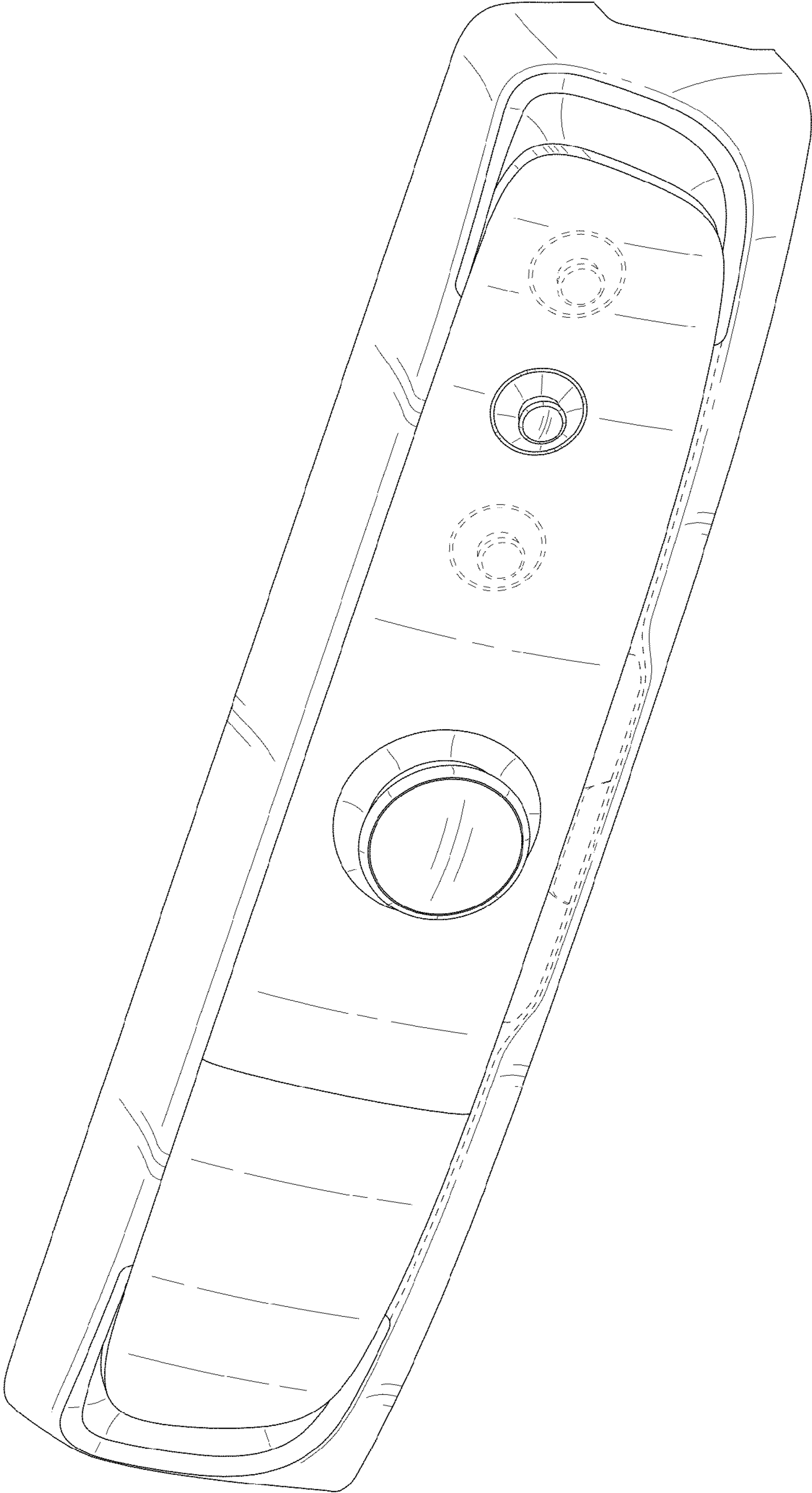


FIG. 2

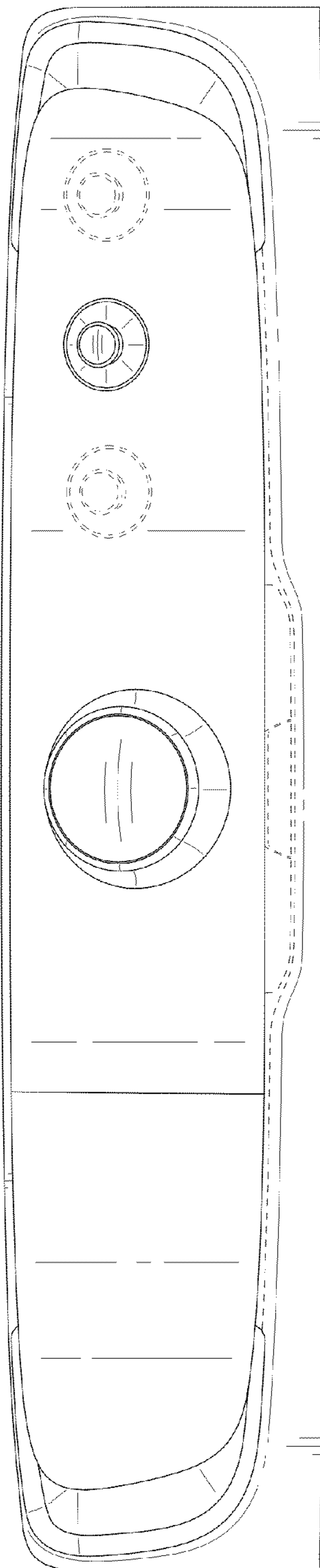


FIG. 3

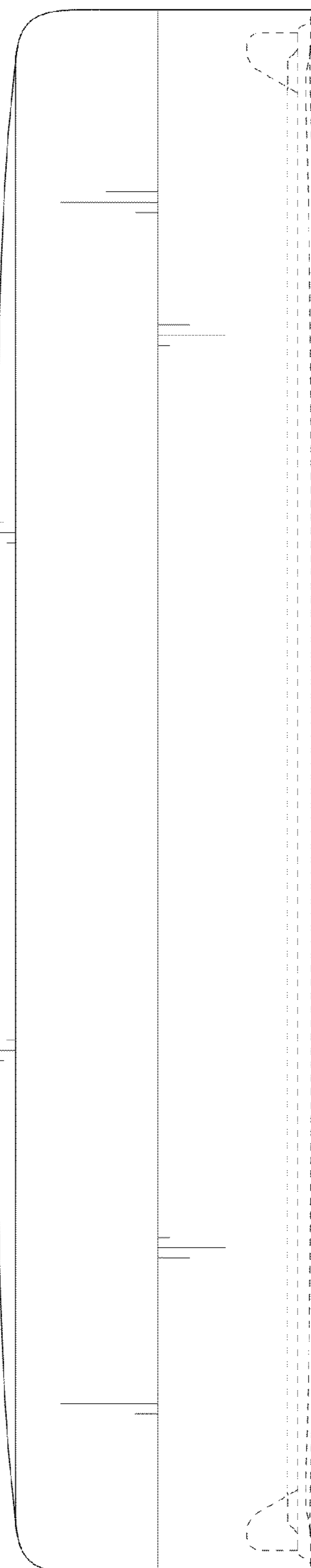


FIG. 5

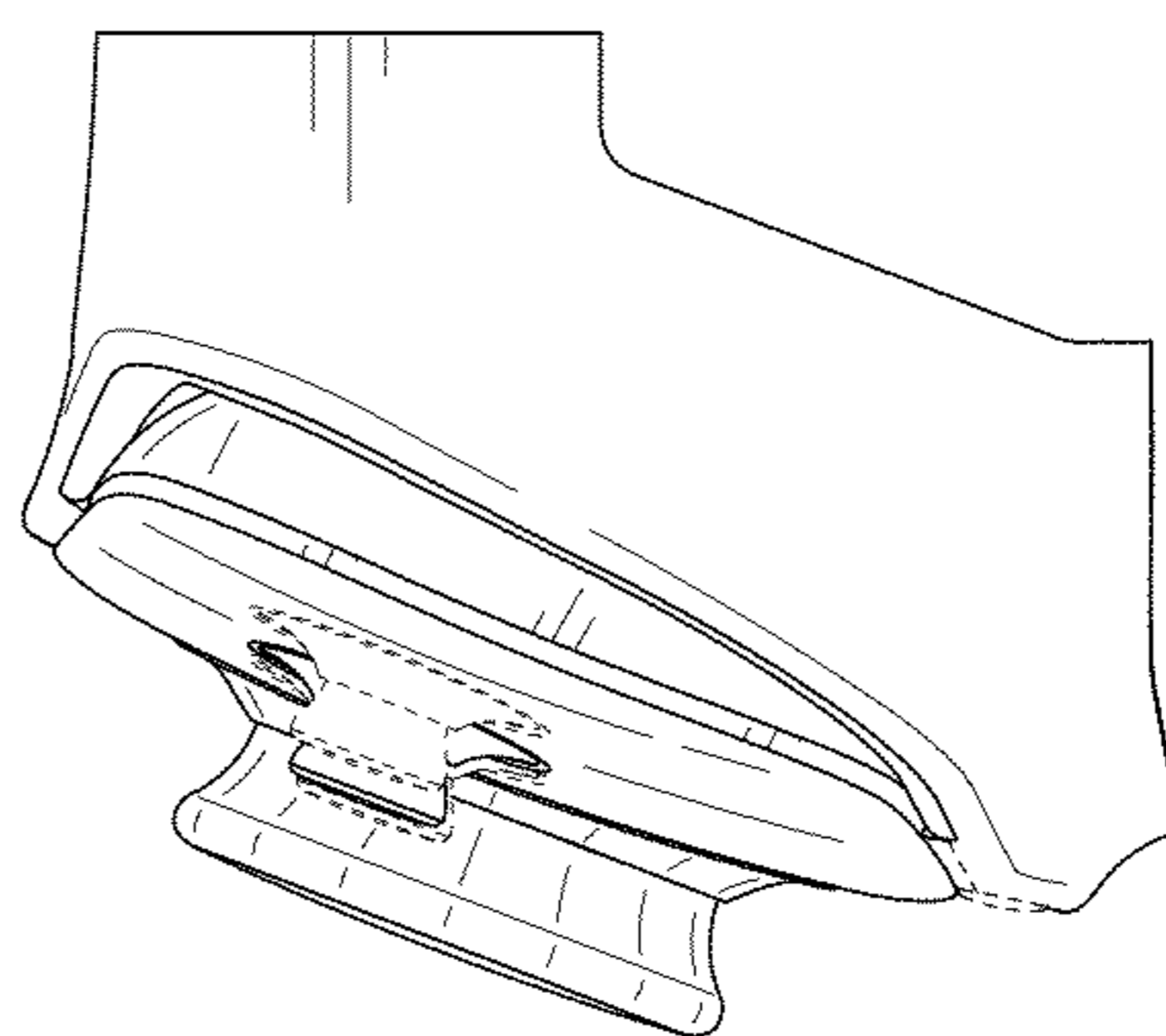


FIG. 4

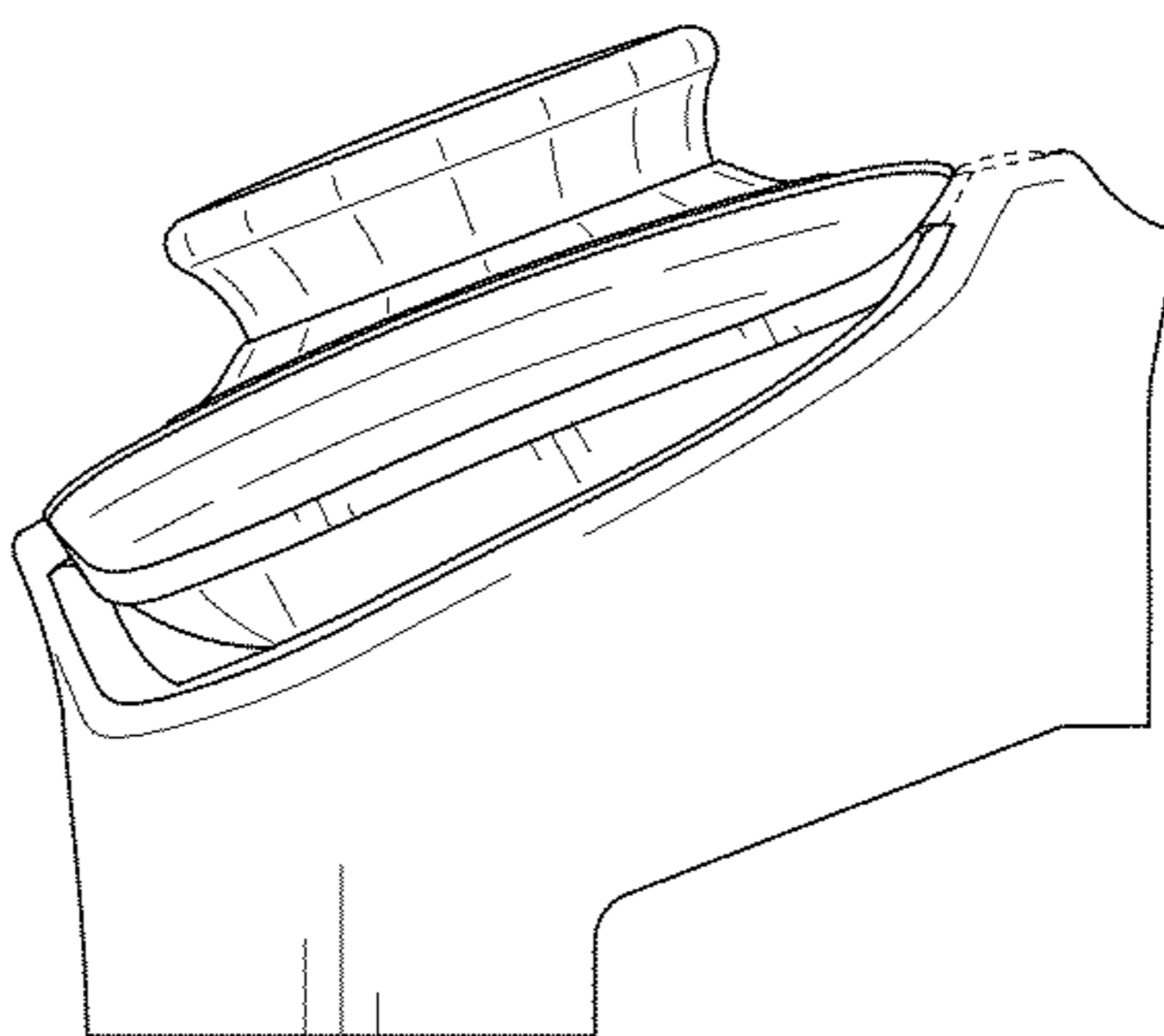


FIG. 6

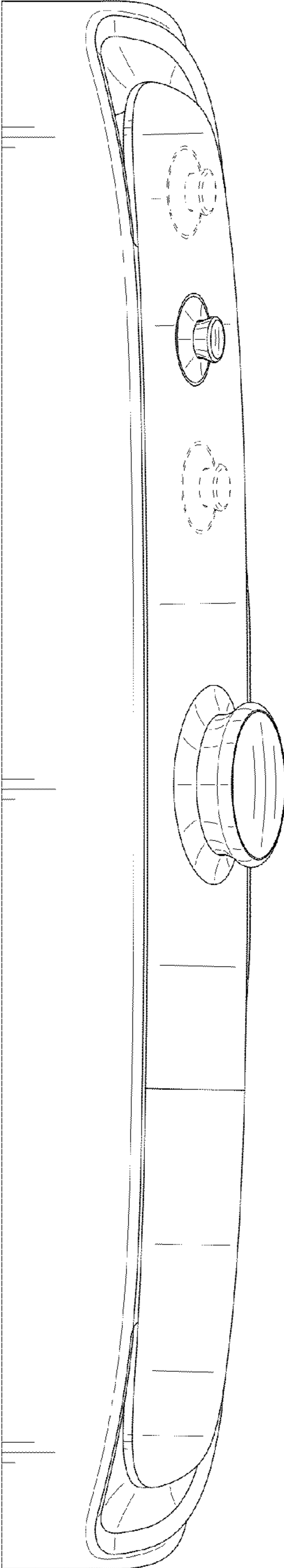


FIG. 7

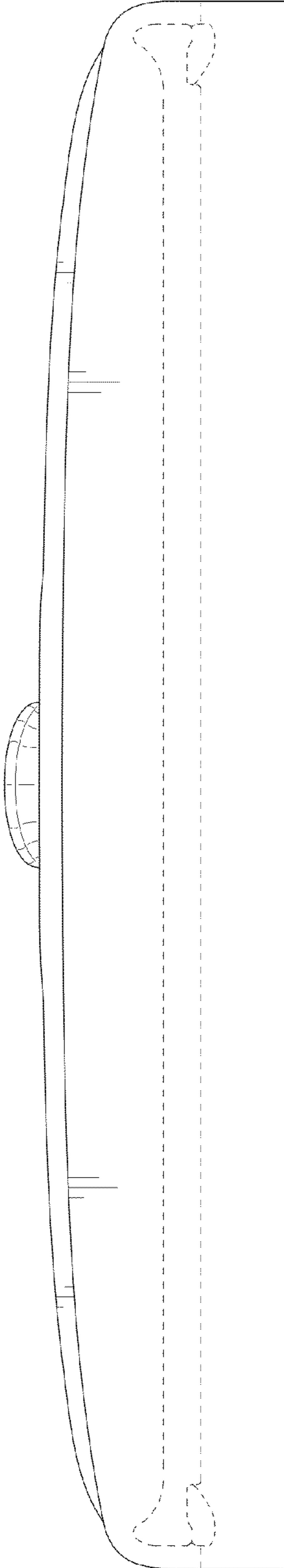


FIG. 8

