



US00D759916S

(12) **United States Design Patent**  
**Choi et al.**

(10) **Patent No.:** **US D759,916 S**

(45) **Date of Patent:** **\*\* Jun. 21, 2016**

(54) **CONTROL PANEL FOR WASHING MACHINE**

(71) Applicant: **Samsung Electronics Co., Ltd.**,  
Suwon-si (KR)

(72) Inventors: **Hyoung-Sub Choi**, Goyang-si (KR);  
**Deok-Sang Yun**, Ahnsan-si (KR);  
**Jung-Hoon Hwang**, Yongin-si (KR);  
**Dong-Hyuk Uim**, Seoul (KR)

(73) Assignee: **Samsung Electronics Co., Ltd.**,  
Suwon-si (KR)

(\*\*) Term: **14 Years**

(21) Appl. No.: **29/522,752**

(22) Filed: **Apr. 2, 2015**

(30) **Foreign Application Priority Data**

Oct. 21, 2014 (KR) ..... 30-2014-0050401

(51) **LOC (10) Cl.** ..... **15-05**

(52) **U.S. Cl.**  
USPC ..... **D32/28**

(58) **Field of Classification Search**

USPC ..... D32/28, 3-6, 10, 25; 34/87-88,  
34/595-597; D7/405; 68/3 R, 5 R  
CPC ..... D06F 39/005; D06F 39/00; D06F 39/14;  
D06F 58/00; D06F 58/04

See application file for complete search history.

(56) **References Cited**

**U.S. PATENT DOCUMENTS**

D628,438 S \* 12/2010 Knochner ..... D7/405  
D681,892 S \* 5/2013 Meda ..... D32/28  
D681,893 S \* 5/2013 Meda ..... D32/28  
D684,740 S \* 6/2013 Geyer ..... D32/28  
D692,194 S \* 10/2013 Meda ..... D32/6  
D701,009 S \* 3/2014 Jinnam ..... D32/6  
D708,800 S \* 7/2014 Choi ..... D32/6

D714,095 S \* 9/2014 Boo ..... D7/406  
D731,128 S \* 6/2015 Ha ..... D32/6  
D731,718 S \* 6/2015 Borjesson ..... D32/6  
D731,719 S \* 6/2015 Borjesson ..... D32/6  
D744,179 S \* 11/2015 Lee ..... D32/28  
D744,704 S \* 12/2015 Ha ..... D32/6  
D746,521 S \* 12/2015 Ha ..... D32/6  
2012/0169193 A1 \* 7/2012 Kim ..... D06F 39/005  
312/228  
2015/0003027 A1 \* 1/2015 Han ..... D06F 39/02  
361/752

**FOREIGN PATENT DOCUMENTS**

KR 30-2007-0047543 6/2008  
KR 30-2007-0000647 7/2008

(Continued)

*Primary Examiner* — Rosemary K Tarcza

*Assistant Examiner* — Yolanda Robinson

(74) *Attorney, Agent, or Firm* — NSIP Law

(57) **CLAIM**

We claim the ornamental design for a control panel for washing machine, as shown and described.

**DESCRIPTION**

FIG. 1 is a front perspective view of a control panel for washing machine showing our new design;

FIG. 2 is a front view thereof;

FIG. 3 is a rear view thereof;

FIG. 4 is a left-side view thereof;

FIG. 5 is a right-side view thereof;

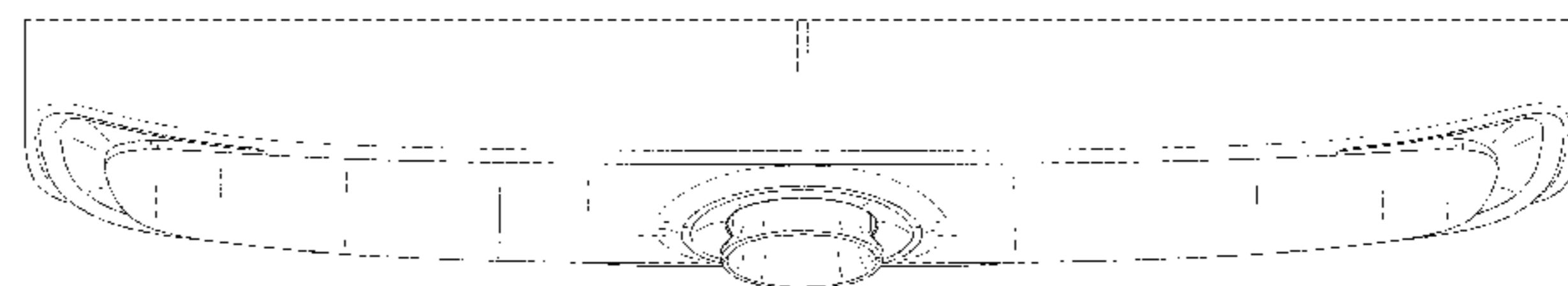
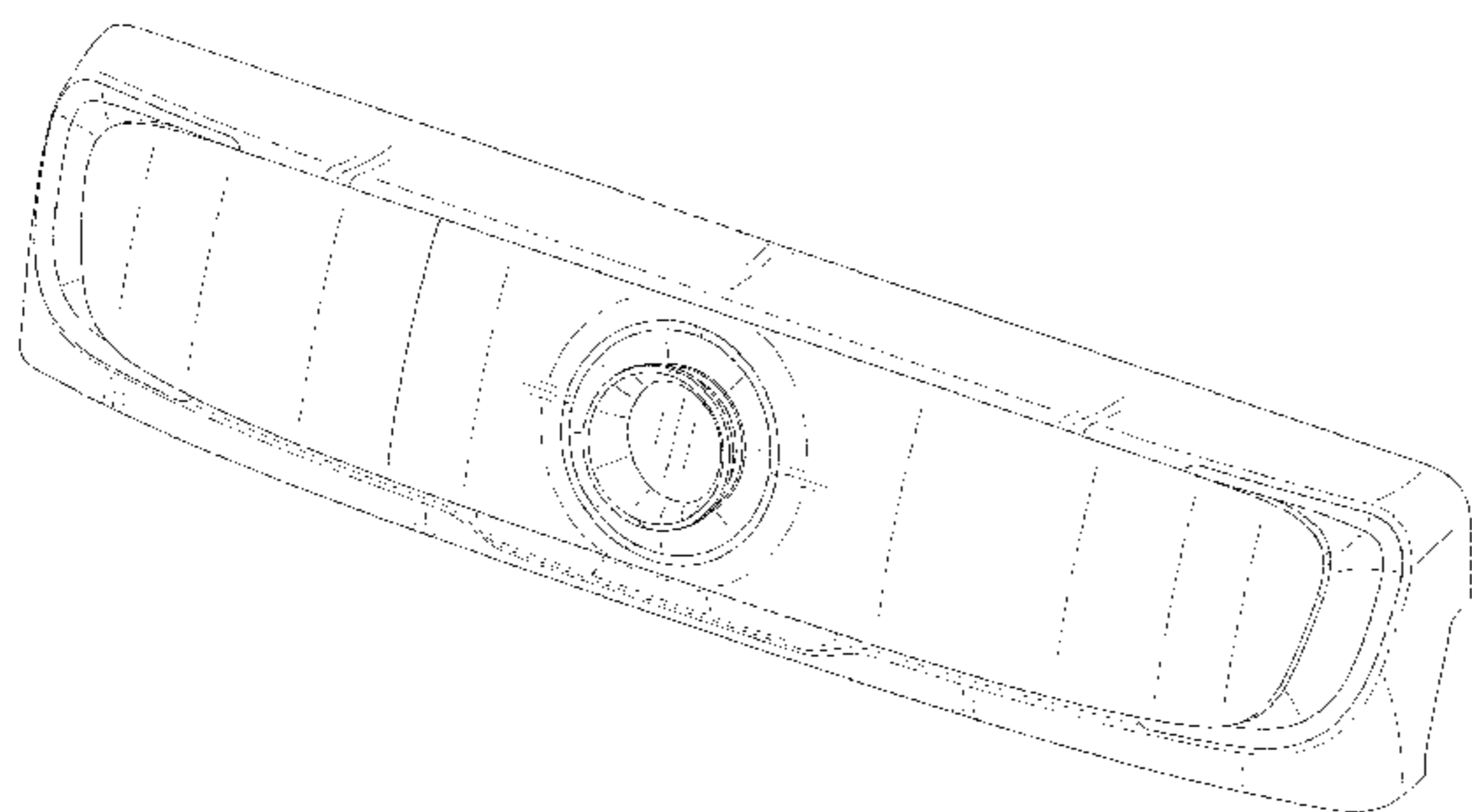
FIG. 6 is a top view thereof;

FIG. 7 is a bottom view thereof; and,

FIG. 8 is another front perspective view thereof in which a washing machine is provided in broken lines to illustrate an example environment.

The broken lines in the figures show portions of the control panel for washing machine which form no part of the claimed design.

**1 Claim, 5 Drawing Sheets**



(56)

**References Cited**

FOREIGN PATENT DOCUMENTS

KR 30-2008-0055360 6/2009  
KR 30-2011-0033157 10/2013

KR DE 202014102566 U1 \* 9/2014 ..... D06F 39/02  
KR 30-2013-0000316 10/2014  
KR EP 2811061 A1 \* 12/2014 ..... D06F 39/02

\* cited by examiner

FIG. 1

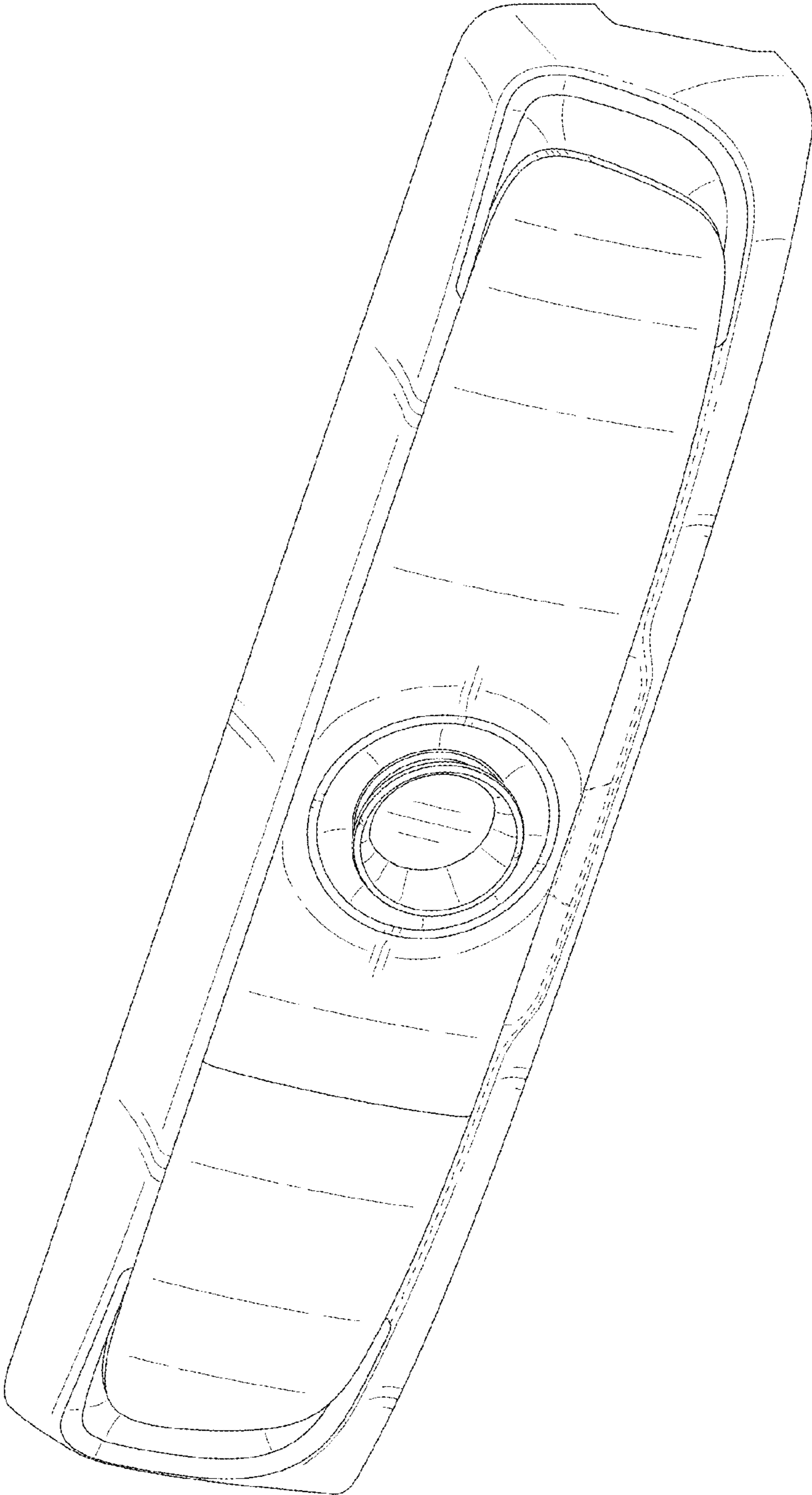


FIG. 2

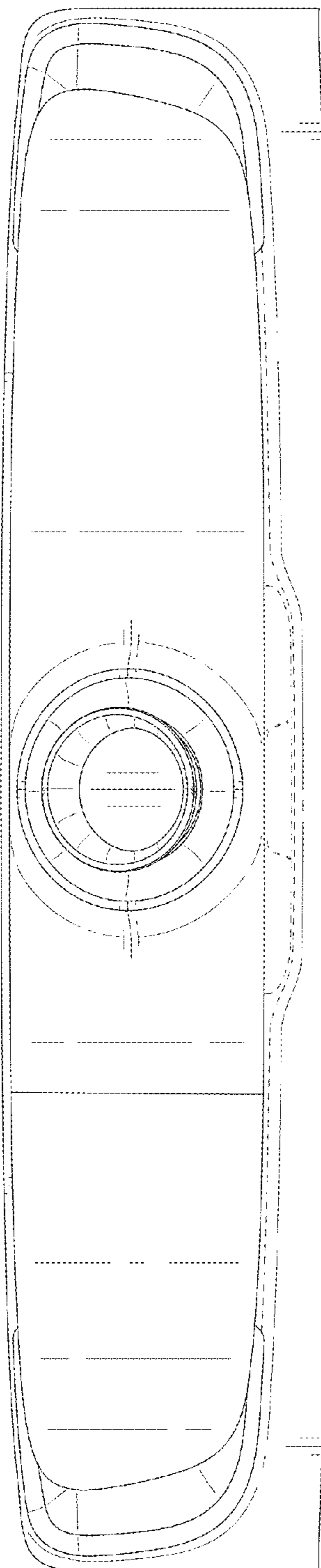


FIG. 3

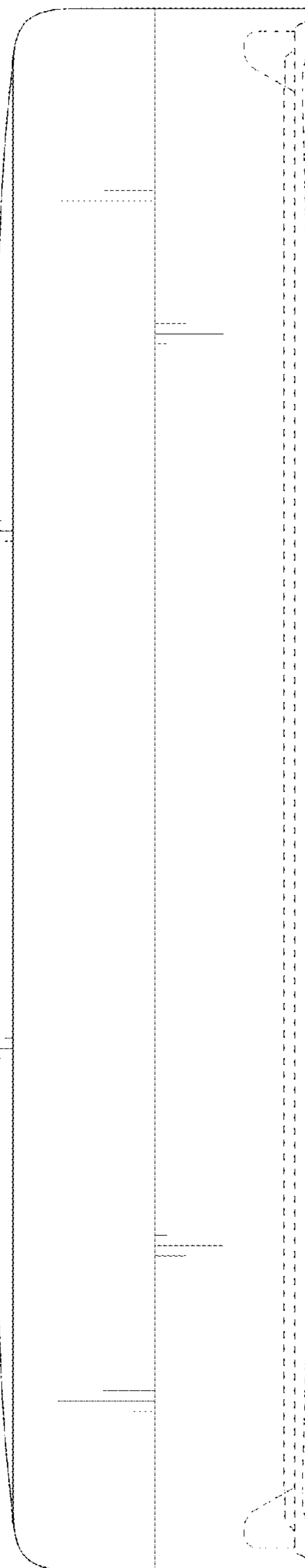


FIG. 5

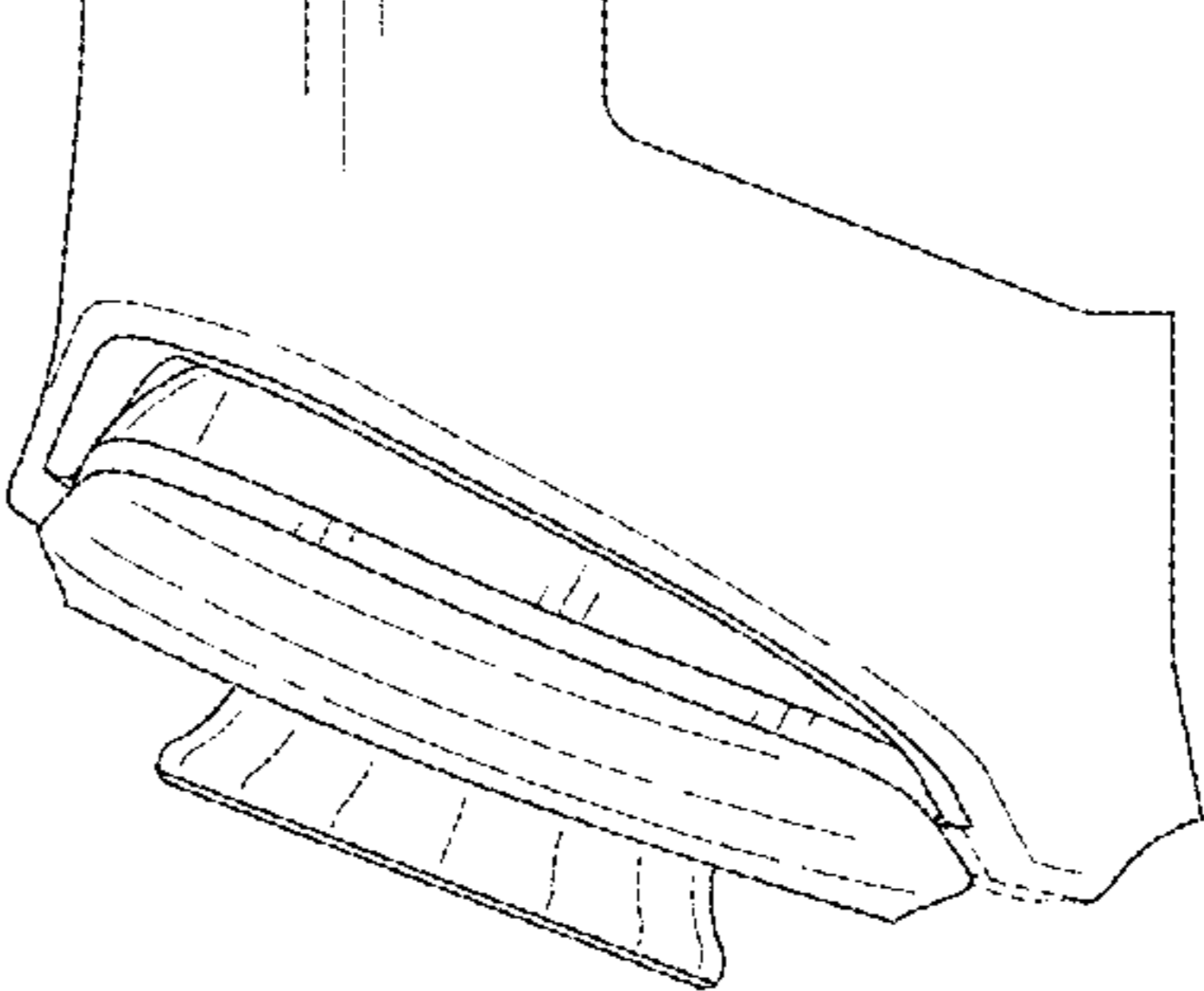


FIG. 4

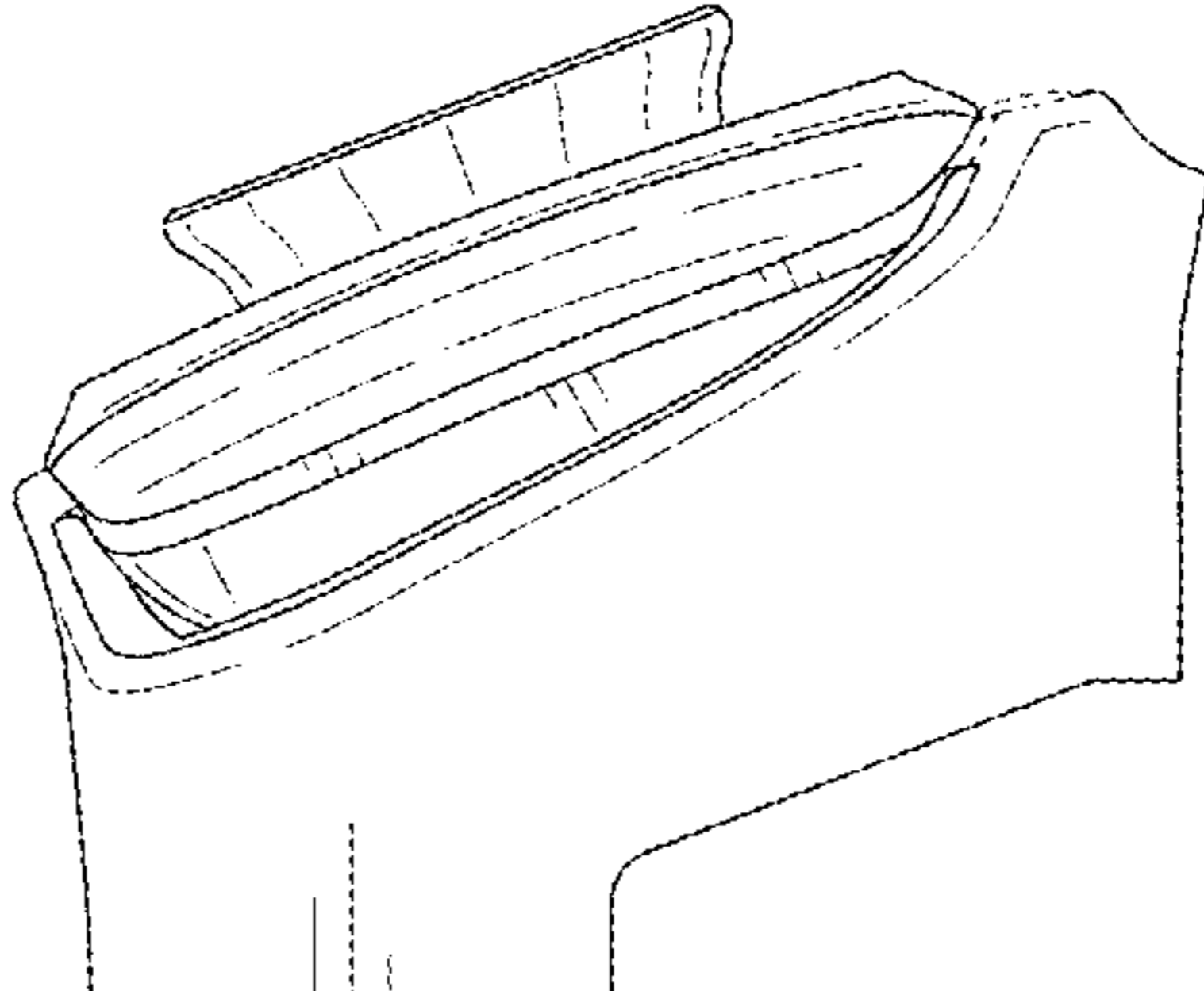


FIG. 6

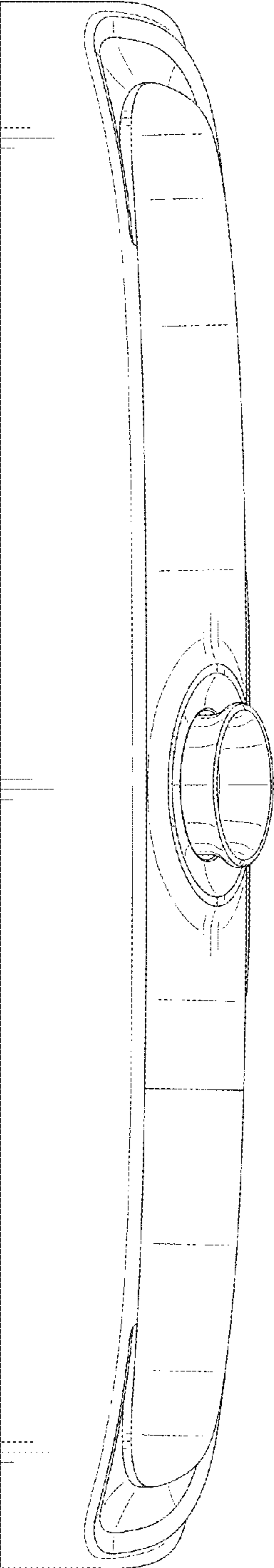


FIG. 7

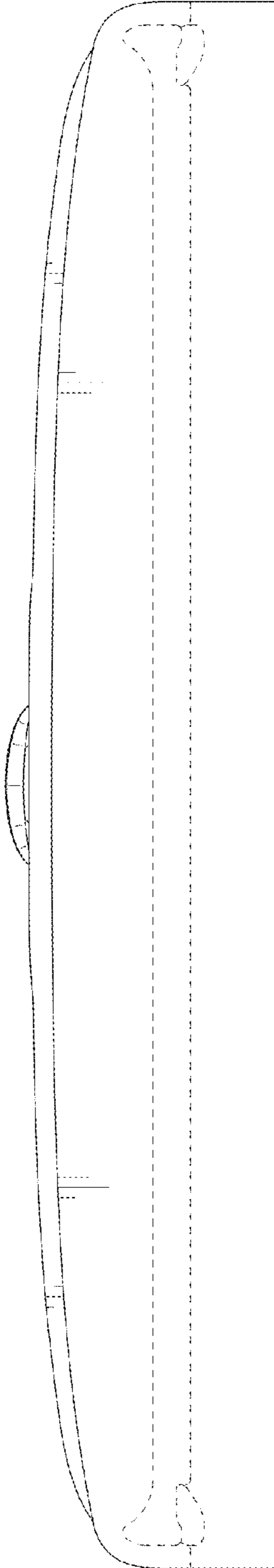


FIG. 8

