



US00D759915S

(12) **United States Design Patent**
Choi et al.

(10) **Patent No.:** **US D759,915 S**
(45) **Date of Patent:** **** Jun. 21, 2016**

(54) **DOOR FOR WASHING MACHINE**
(71) Applicant: **Samsung Electronics Co., Ltd.**,
Suwon-si, Gyeonggi-do (KR)
(72) Inventors: **Hyoung-Sub Choi**, Goyang-si (KR);
Deok-Sang Yun, Ansan-si (KR)
(73) Assignee: **SAMSUNG ELECTRONICS CO.,**
LTD. (KR)
(**) Term: **15 Years**
(21) Appl. No.: **29/530,945**
(22) Filed: **Jun. 22, 2015**

(30) **Foreign Application Priority Data**
Dec. 22, 2014 (KR) 30-2014-0062379
(51) **LOC (10) Cl.** **15-05**
(52) **U.S. Cl.**
USPC **D32/25**
(58) **Field of Classification Search**
USPC D32/3-6, 8, 10, 25, 28; 312/228, 228.1,
312/236, 294, 326; 8/137; 34/108, 595-597
CPC D06F 39/02; D06F 37/10; D06F 37/28;
D06F 58/00; A47B 77/08
See application file for complete search history.

(56) **References Cited**
U.S. PATENT DOCUMENTS
D620,656 S * 7/2010 Bixby D32/25
D697,680 S * 1/2014 Hwang D32/25
D705,508 S * 5/2014 Calmeise D32/28
D709,657 S * 7/2014 Shin D32/25
D711,605 S * 8/2014 Jo D32/25
D729,995 S * 5/2015 Song D32/6
D730,594 S * 5/2015 Kang D32/6
D744,177 S * 11/2015 Jung D32/6

2003/0042654 A1* 3/2003 Bienick D06F 37/18
264/239
2004/0231370 A1* 11/2004 Cheo D06F 37/28
68/3 R
2008/0223086 A1* 9/2008 Zardetto D06F 39/14
68/142
2015/0123521 A1* 5/2015 Lee D06F 39/14
312/228
2015/0176186 A1* 6/2015 Kappler D06F 39/02
68/17 R
2015/0252508 A1* 9/2015 Kim D06F 1/04
68/27
2015/0267337 A1* 9/2015 Kim D06F 1/04
68/27
2015/0299927 A1* 10/2015 Kim D06F 29/00
68/27
2015/0345069 A1* 12/2015 Leibman D06F 39/028
68/17 R

* cited by examiner

Primary Examiner — Rosemary K Tarcza
Assistant Examiner — Yolanda Robinson
(74) *Attorney, Agent, or Firm* — Cantor Colburn LLP

(57) **CLAIM**
The ornamental design for a door for washing machine, as shown and described.

DESCRIPTION

FIG. 1 is a perspective view of a door for washing machine, showing our new design;
FIG. 2 is a front view thereof;
FIG. 3 is a rear view thereof;
FIG. 4 is a side view thereof;
FIG. 5 is another side view thereof;
FIG. 6 is a top view thereof;
FIG. 7 is a bottom view thereof; and,
FIG. 8 is a perspective view thereof as shown in a washing machine environment.
The broken lines in the figures are for environmental purposes only and form no part of the claimed design.

1 Claim, 8 Drawing Sheets

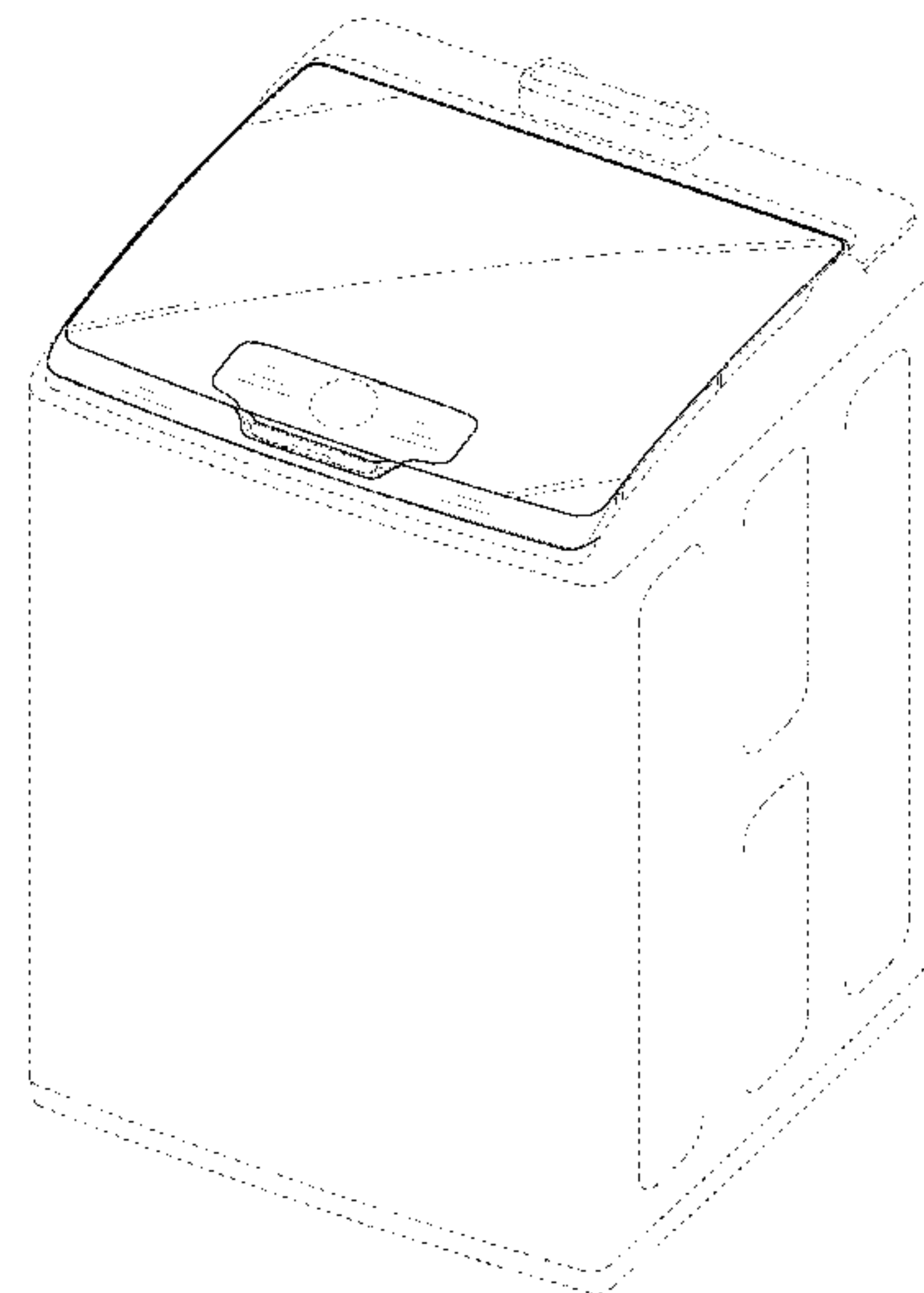
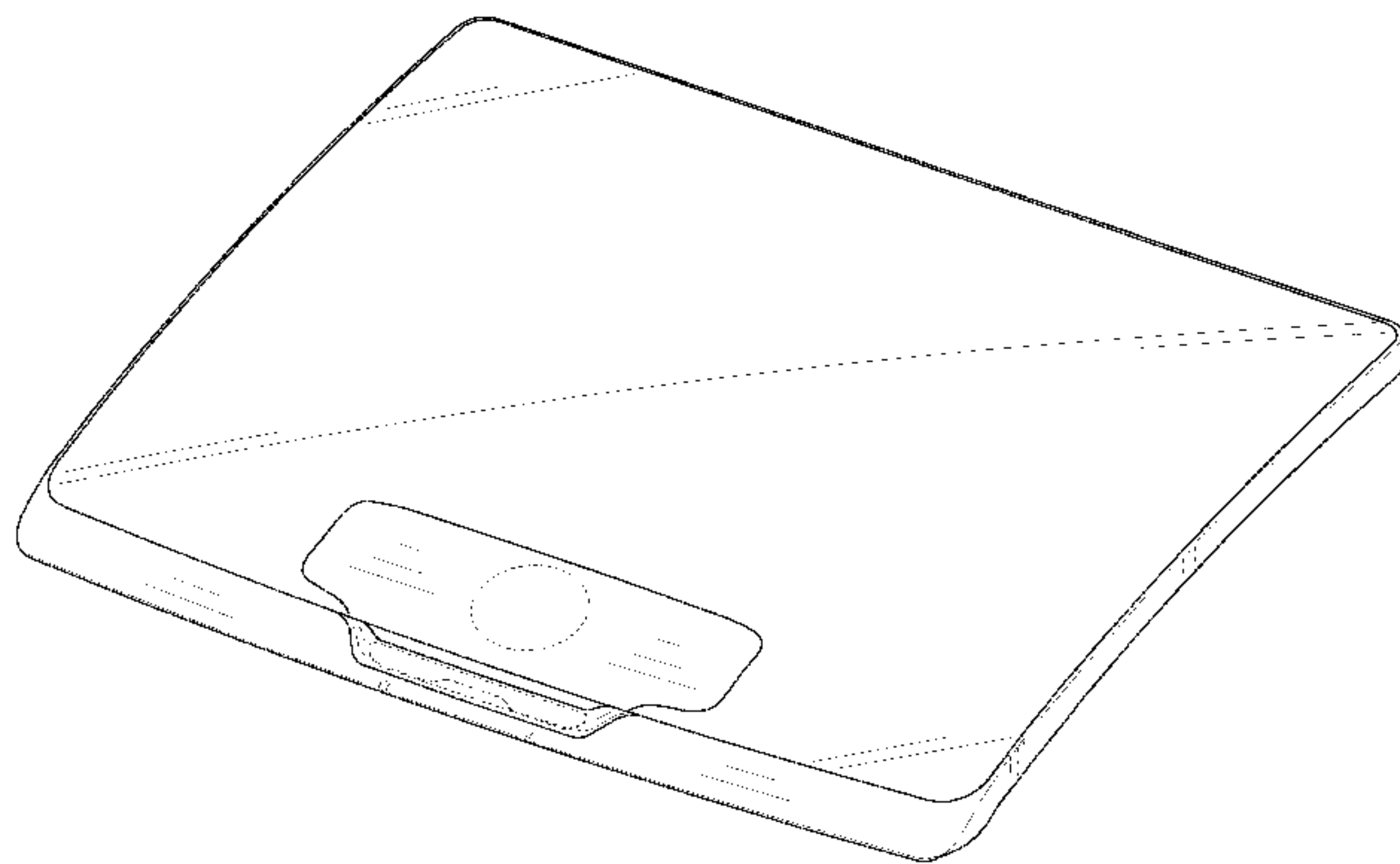


FIG. 1

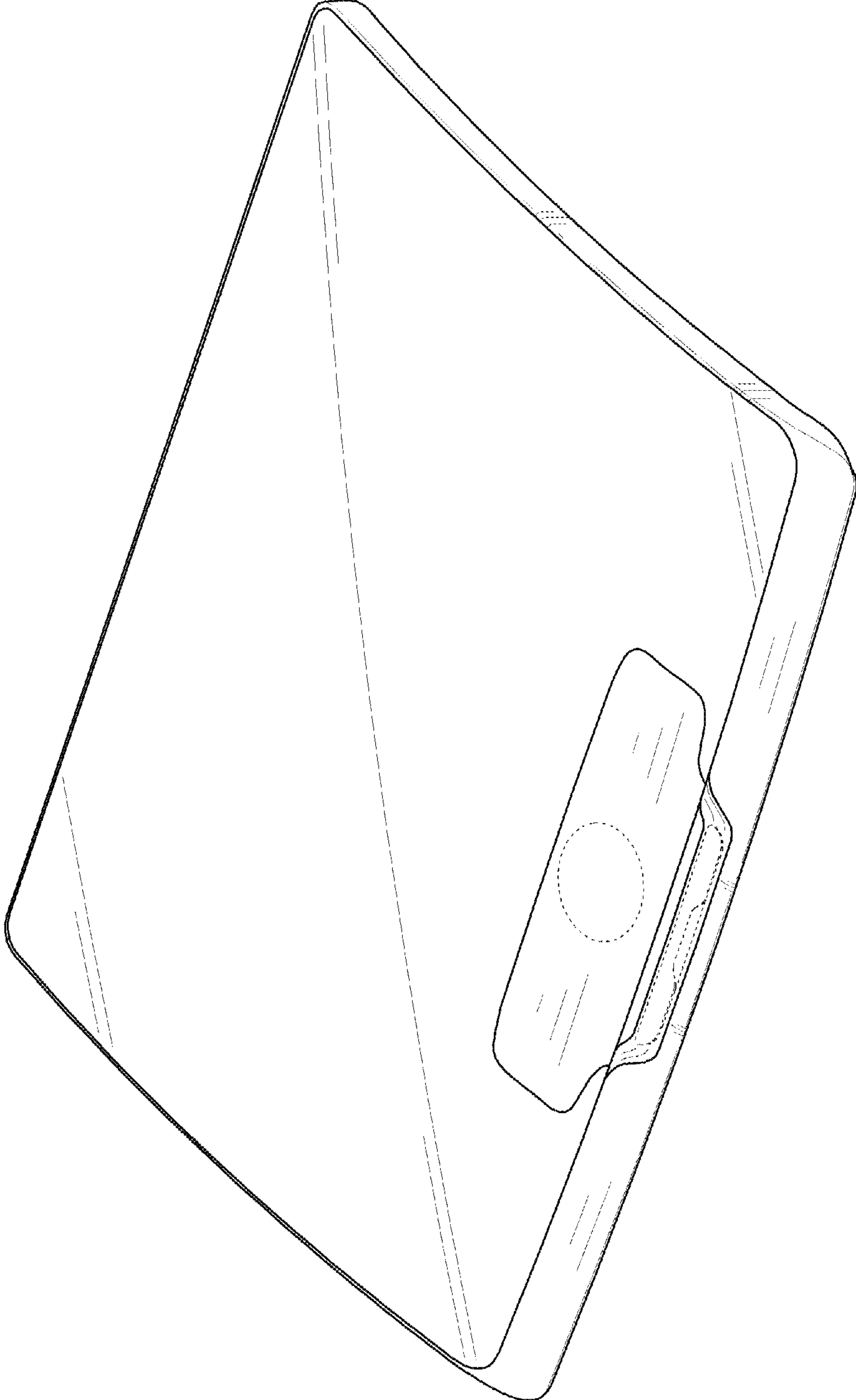


FIG. 2

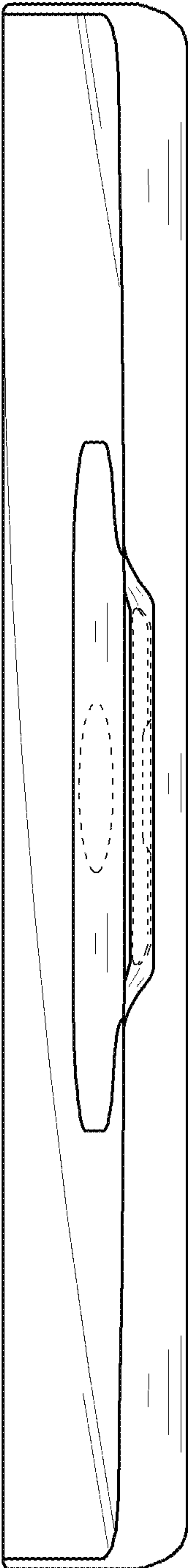


FIG. 3

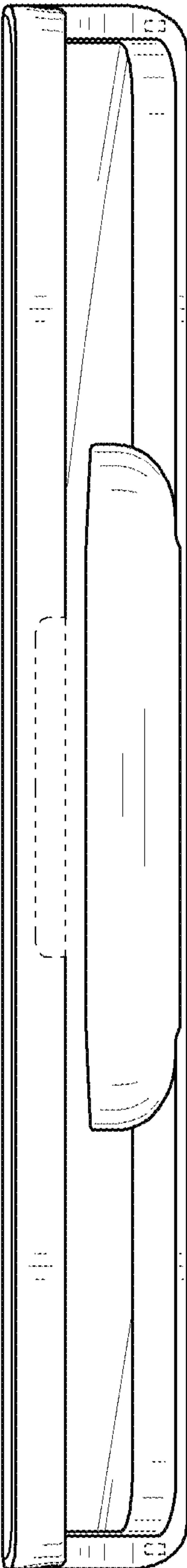


FIG. 4

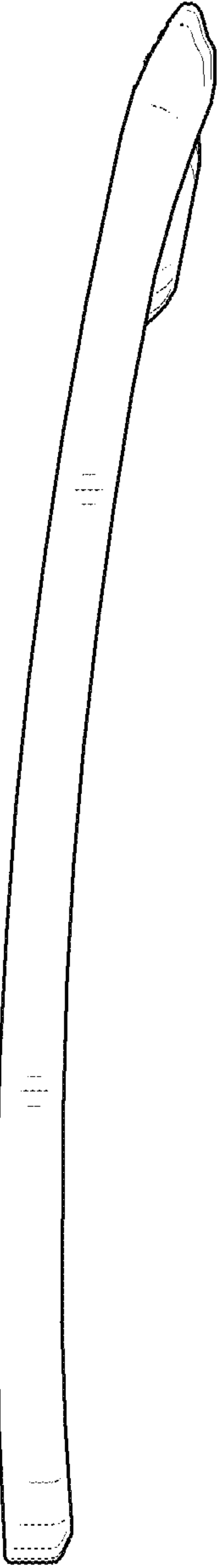


FIG. 5

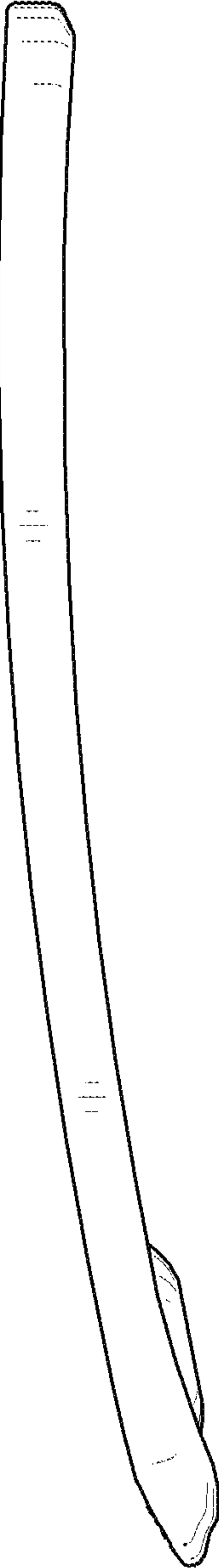


FIG. 6

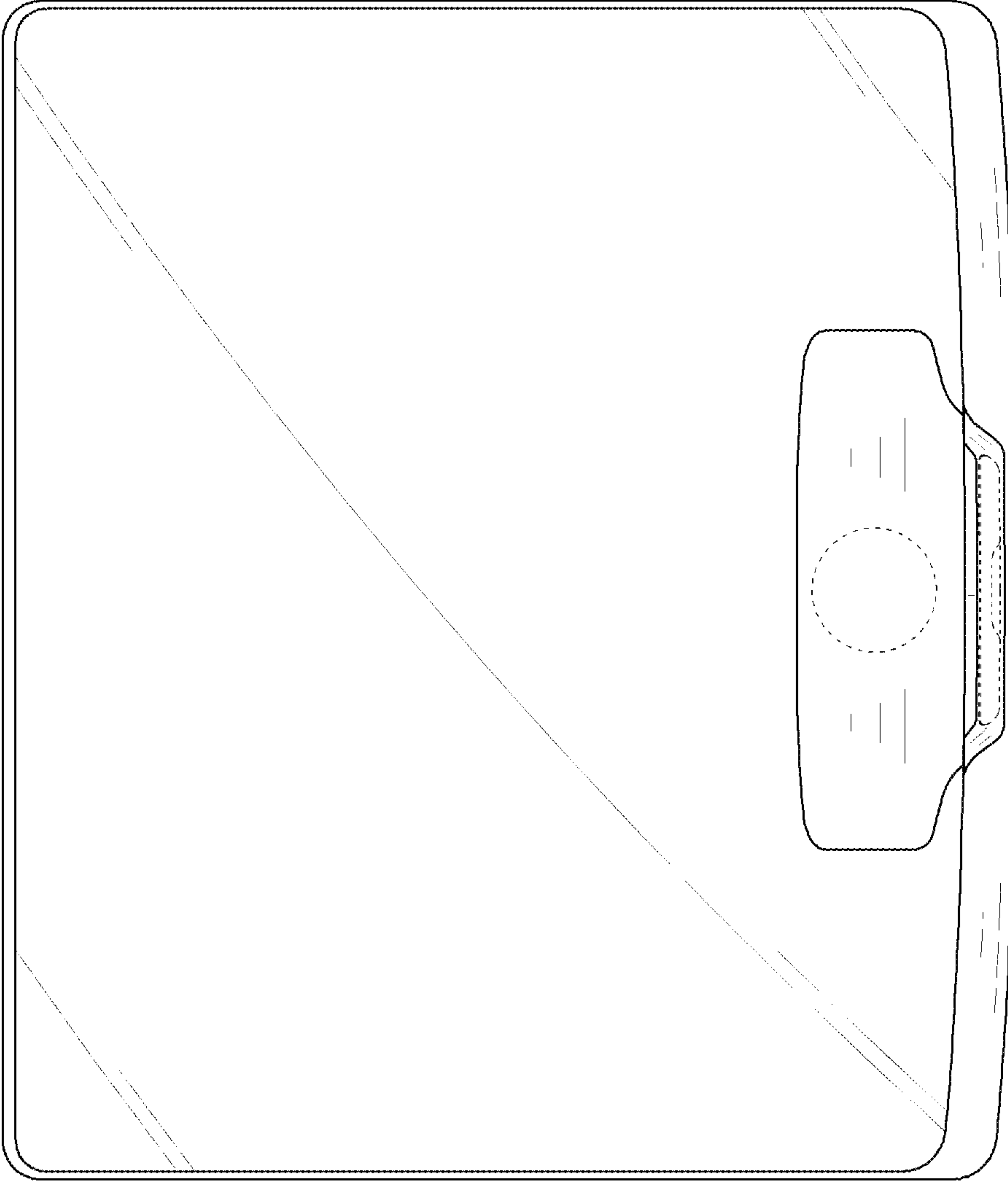


FIG. 7

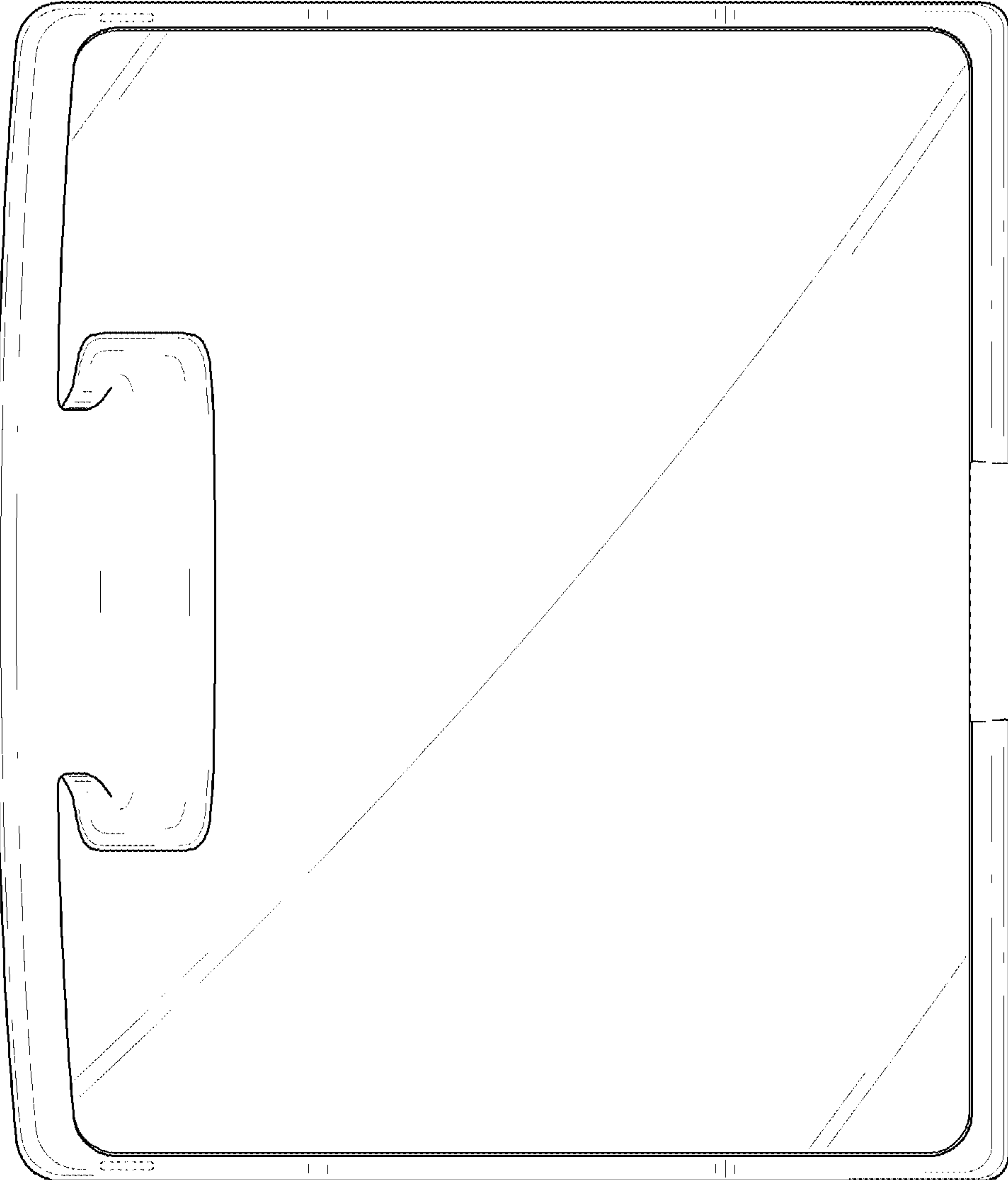


FIG. 8

