



US00D759913S

(12) **United States Design Patent**  
**Jeon et al.**

(10) **Patent No.:** **US D759,913 S**  
(45) **Date of Patent:** **\*\* Jun. 21, 2016**

(54) **CLOTHES DRYER**

(71) Applicant: **LG Electronics Inc.**, Seoul (KR)

(72) Inventors: **Ho Il Jeon**, Seoul (KR); **Eun Young Chee**, Seoul (KR); **Ki Hyuk Kim**, Seoul (KR); **Hye Rim An**, Seoul (KR); **Ne Rry Son**, Seoul (KR)

(73) Assignee: **LG Electronics Inc.**, Seoul (KR)

(\*\*) Term: **14 Years**

(21) Appl. No.: **29/514,349**

(22) Filed: **Jan. 12, 2015**

(30) **Foreign Application Priority Data**

Aug. 5, 2014 (KR) ..... 30-2014-0038327

(51) **LOC (10) Cl.** ..... **15-05**

(52) **U.S. Cl.**  
USPC ..... **D32/25**

(58) **Field of Classification Search**  
USPC ..... D32/3-6, 8, 10, 24, 25, 28; 34/88, 108, 34/109, 110, 242, 595-597; 312/228  
CPC ..... D06F 58/20; D06F 58/28; D06F 58/10; D06F 58/04; D06F 58/00; D06F 58/02; D06F 39/14

See application file for complete search history.

(56) **References Cited**

**U.S. PATENT DOCUMENTS**

- D479,373 S \* 9/2003 Silva ..... D32/25
- D481,499 S \* 10/2003 Moreira da Silva ..... D32/25
- D532,941 S \* 11/2006 Carey ..... D32/6
- 7,730,749 B2 \* 6/2010 Yun ..... D06F 39/14  
68/12.01
- D630,807 S \* 1/2011 Song ..... D32/6
- D651,778 S \* 1/2012 Miller ..... D32/25
- D699,906 S \* 2/2014 Choi ..... D32/25
- D700,410 S \* 2/2014 Hwang ..... D32/25

- D701,659 S \* 3/2014 Choi ..... D32/8
- 8,936,330 B2 \* 1/2015 Kim ..... D06F 33/02  
126/190
- D729,467 S \* 5/2015 Jee ..... D32/6

(Continued)

*Primary Examiner* — Rosemary K Tarca

*Assistant Examiner* — Yolanda Robinson

(74) *Attorney, Agent, or Firm* — Morgan, Lewis & Bockius LLP

(57) **CLAIM**

We claim the ornamental design for a clothes dryer, as shown and described.

**DESCRIPTION**

FIG. 1 is a perspective view of a clothes dryer showing our new design:

FIG. 2 is a front elevation view thereof;

FIG. 3 is a rear elevation view thereof;

FIG. 4 is a left-side elevation view thereof;

FIG. 5 is a right-side elevation view thereof;

FIG. 6 is a top plan view thereof;

FIG. 7 is a bottom plan view thereof;

FIG. 8 is a perspective view showing a door halfway opened in the left-to-right direction;

FIG. 9 is a front elevation view showing the door halfway opened in the left-to-right direction;

FIG. 10 is a perspective view showing the door fully closed;

FIG. 11 is a front elevation view showing the door fully closed;

FIG. 12 is a perspective view showing the door halfway opened in the top-to-bottom direction;

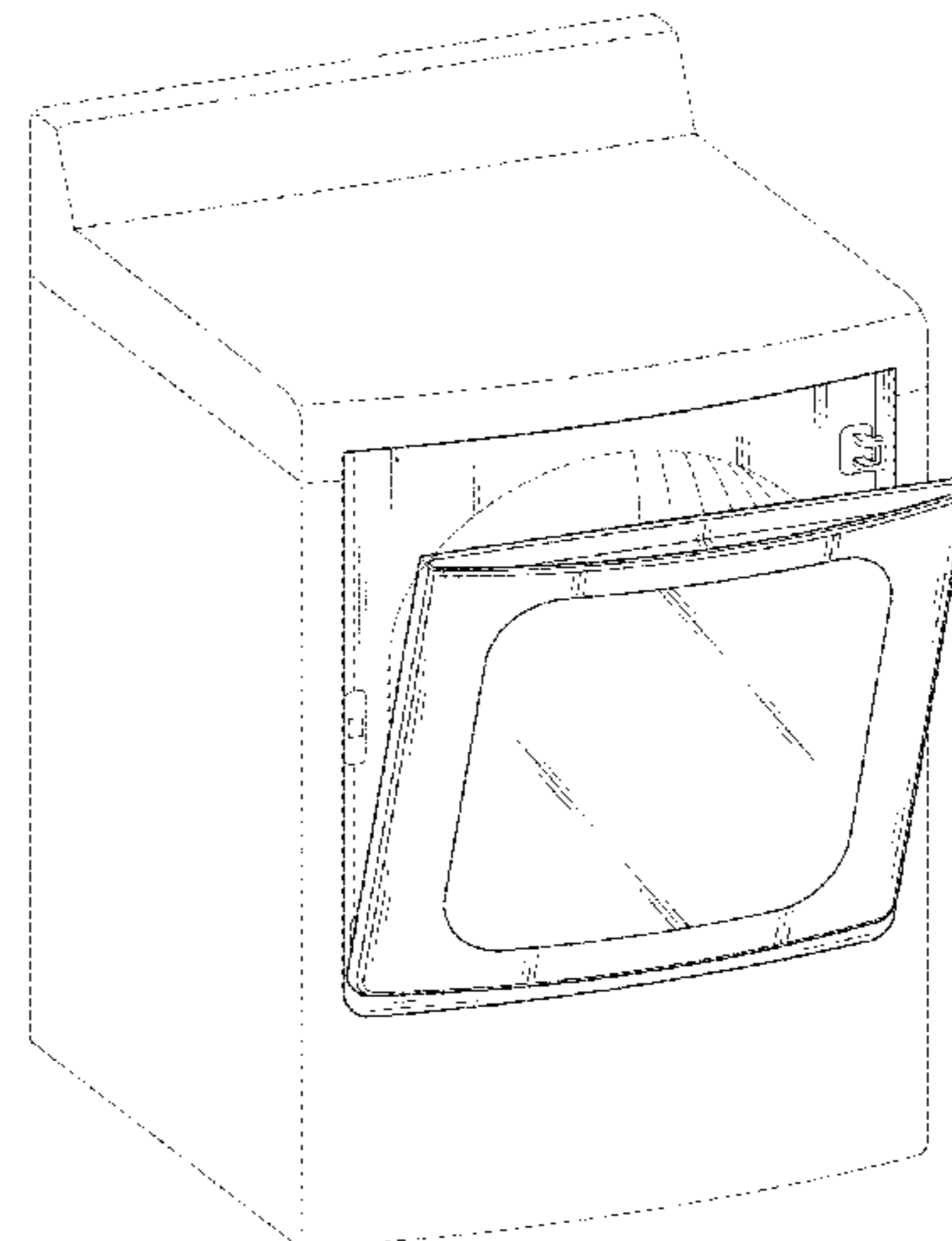
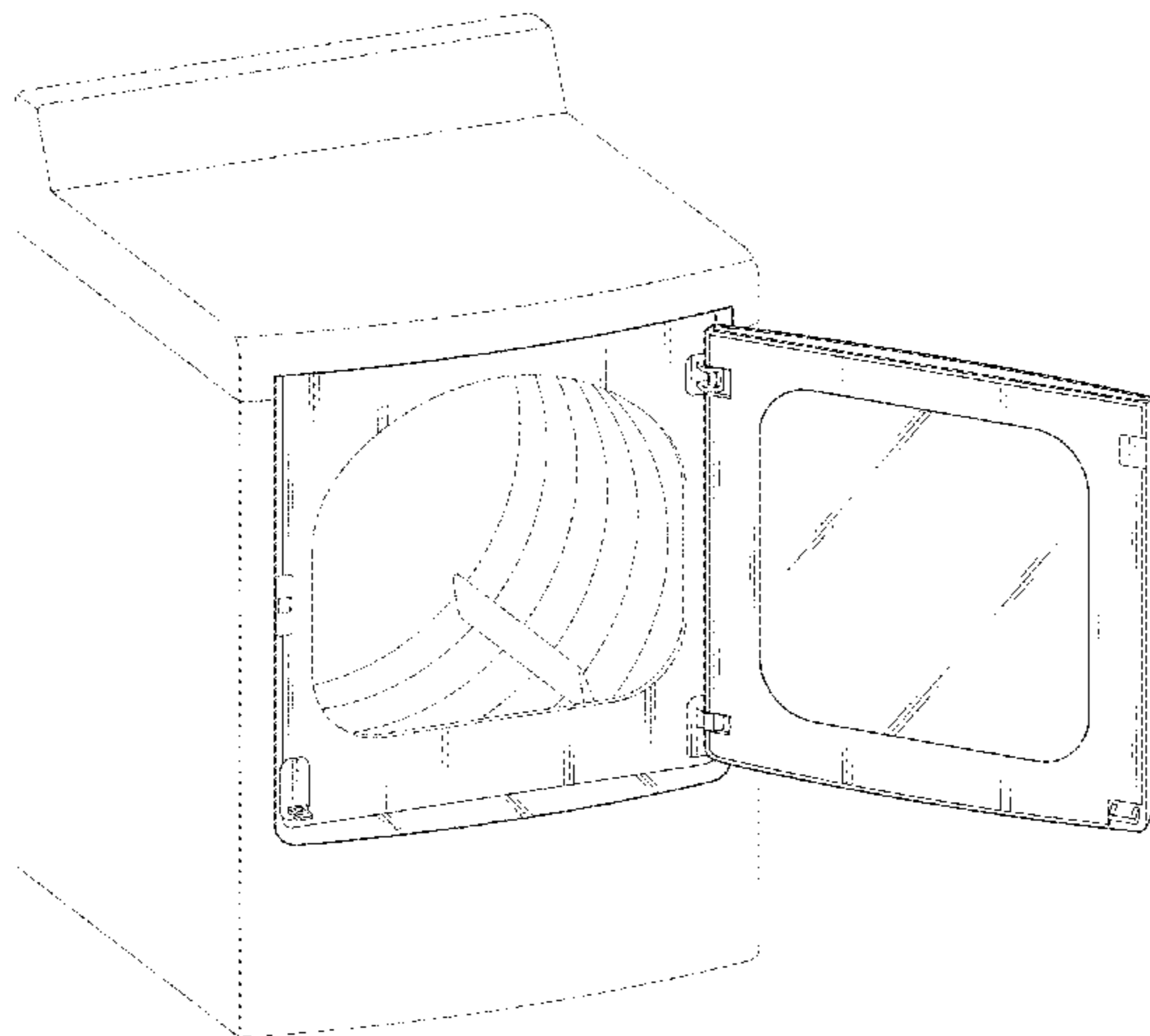
FIG. 13 is a front elevation view showing the door halfway opened in the top-to-bottom direction;

FIG. 14 is a perspective view showing the door fully opened in the top-to-bottom direction; and,

FIG. 15 is a front elevation view showing the door fully opened in the top-to-bottom direction.

The broken lines in the drawing figures are included for the purpose of illustrating environment and form no part of the claimed design.

**1 Claim, 15 Drawing Sheets**



# US D759,913 S

Page 2

(56)

## References Cited

### U.S. PATENT DOCUMENTS

D730,597 S *	5/2015	Jeon	.....	D32/8	2013/0193823 A1*	8/2013	Cho	.....	D09F 39/14 312/319.2
2004/0020246 A1*	2/2004	Yun	.....	D06F 39/14 68/24	2014/0339970 A1*	11/2014	Bae	.....	D06F 39/14 312/222
2008/0256988 A1*	10/2008	Yun	.....	D06F 37/28 68/3 R	2015/0123523 A1*	5/2015	Woo	.....	D06F 39/14 312/228
2012/0187811 A1*	7/2012	Kim	.....	D06F 33/02 312/228	2015/0233038 A1*	8/2015	Lee	.....	D06F 37/225 312/228
2012/0217851 A1*	8/2012	Bae	.....	D06F 37/28 312/222	2015/0233039 A1*	8/2015	Cho	.....	D06F 37/225 312/228
					2015/0233042 A1*	8/2015	Kang	.....	D06F 39/12 312/228

\* cited by examiner

FIG. 1

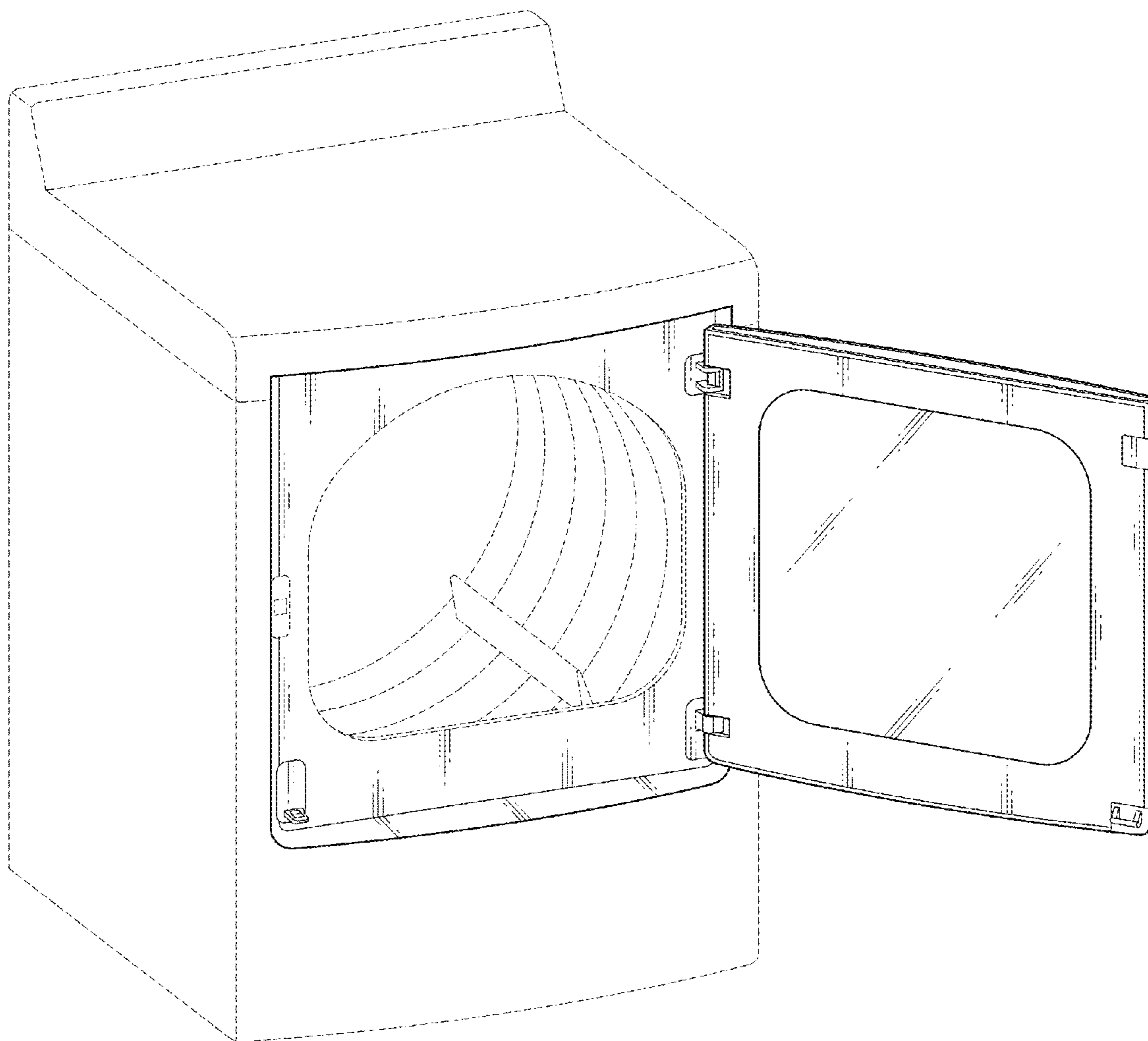


FIG. 2

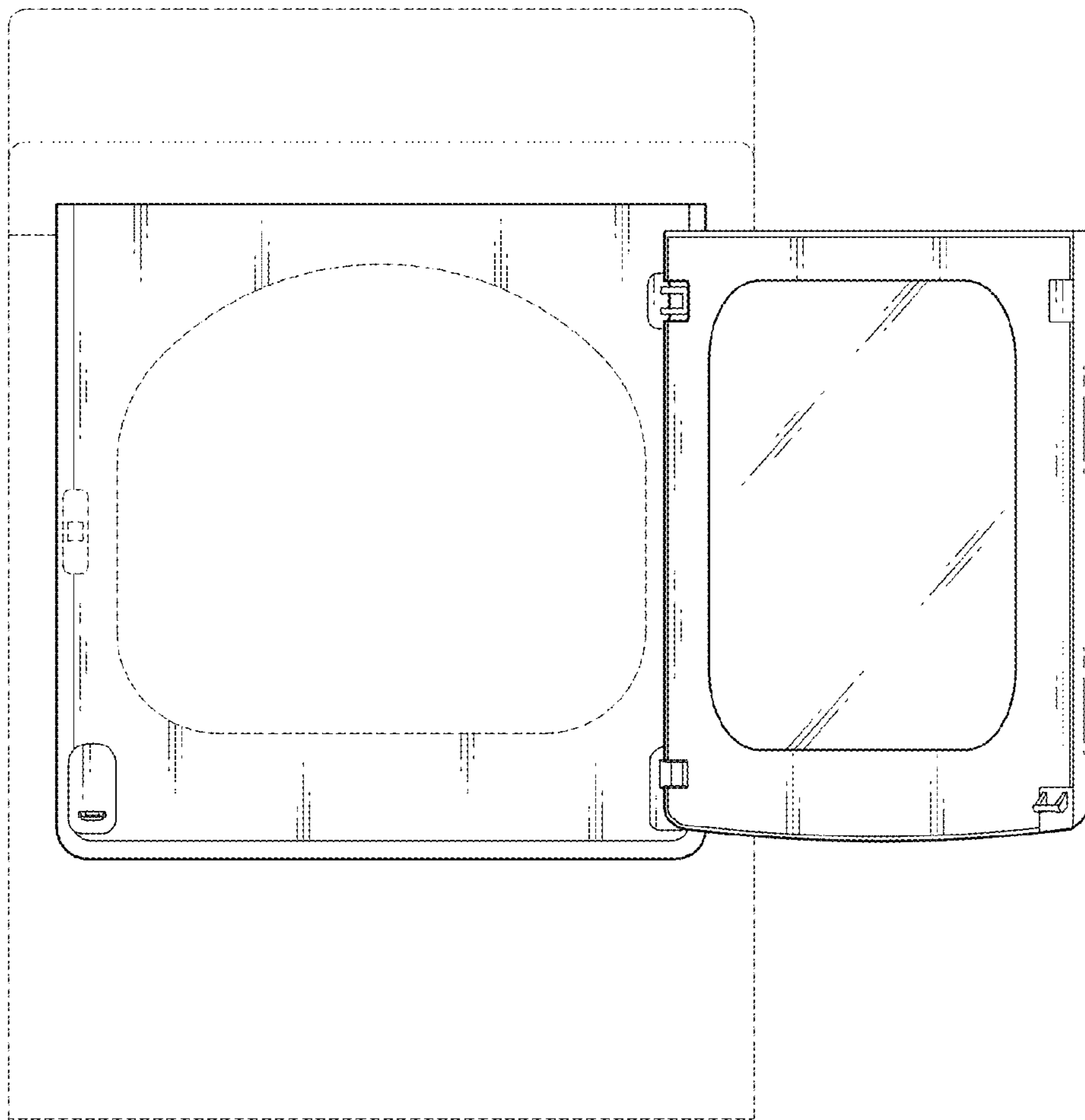


FIG. 3

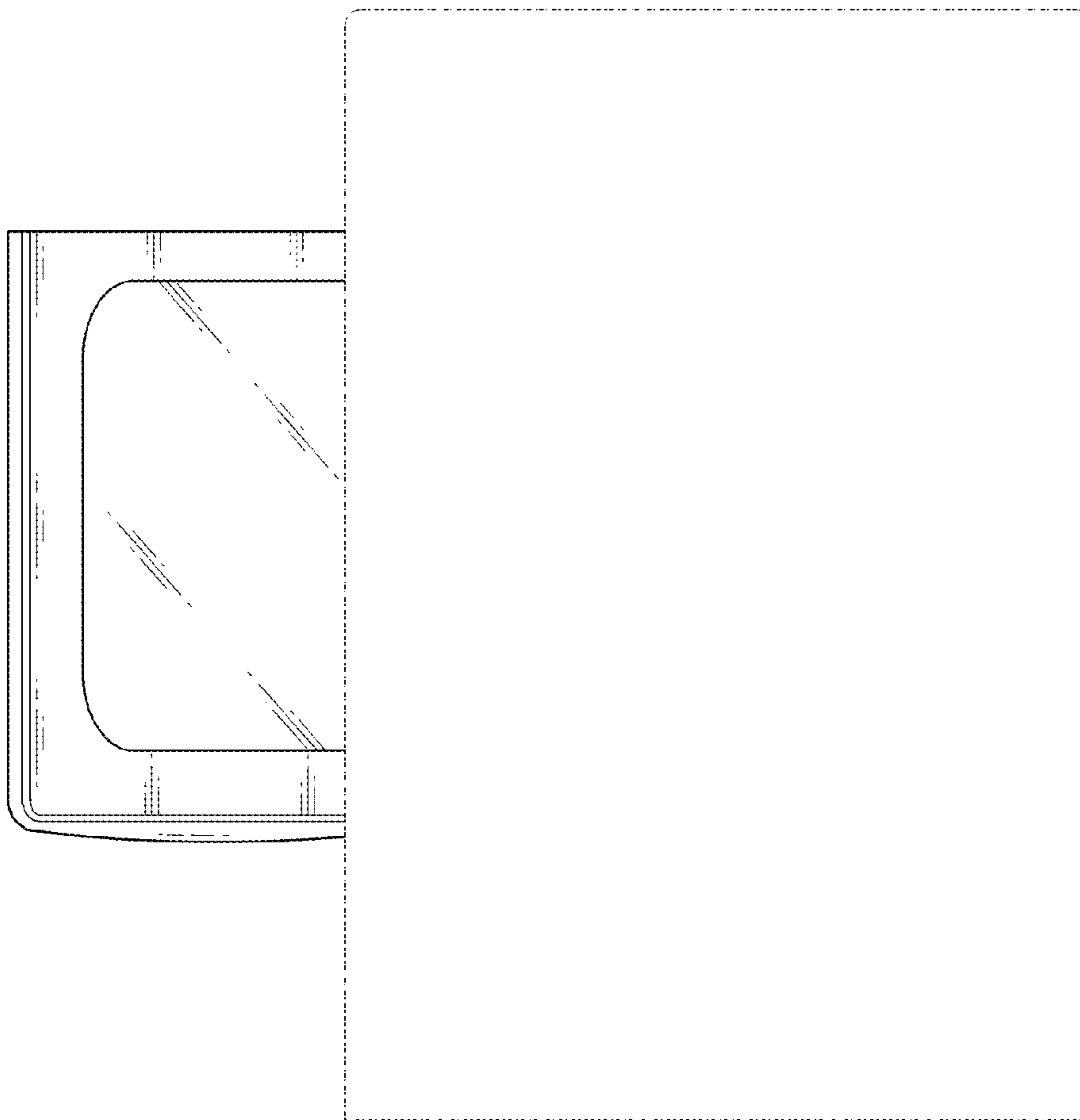


FIG. 4

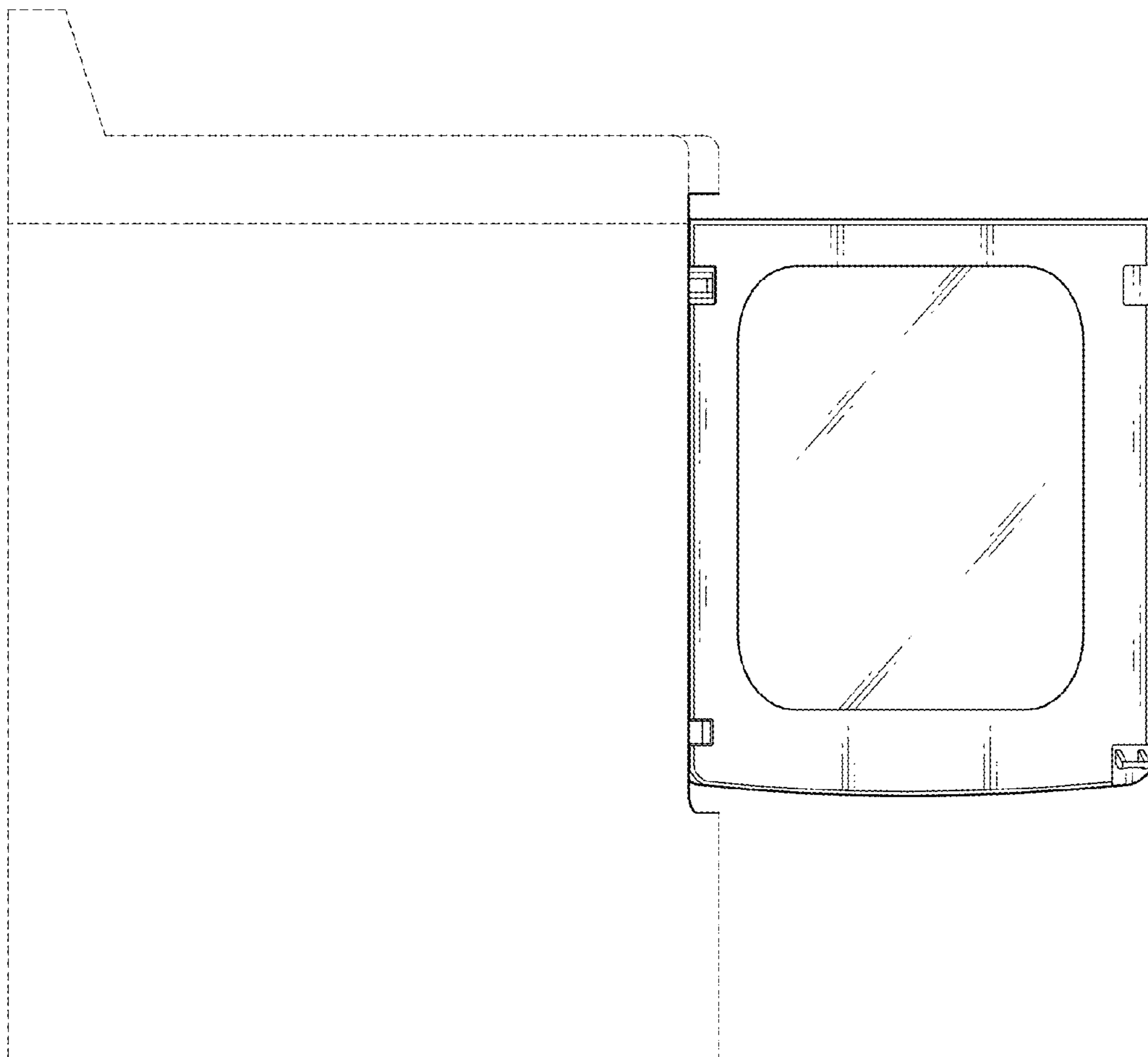


FIG. 5

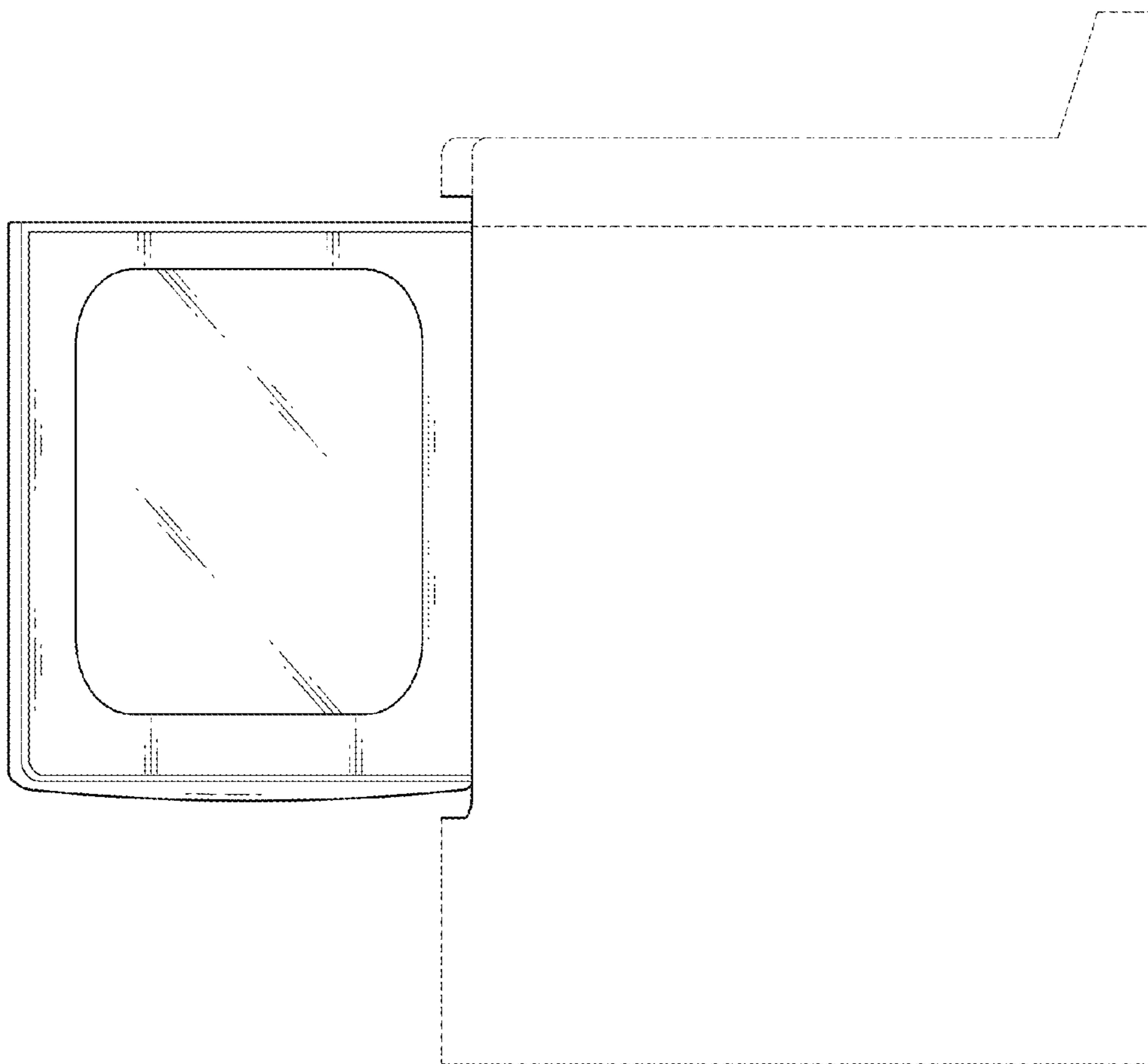




FIG. 6

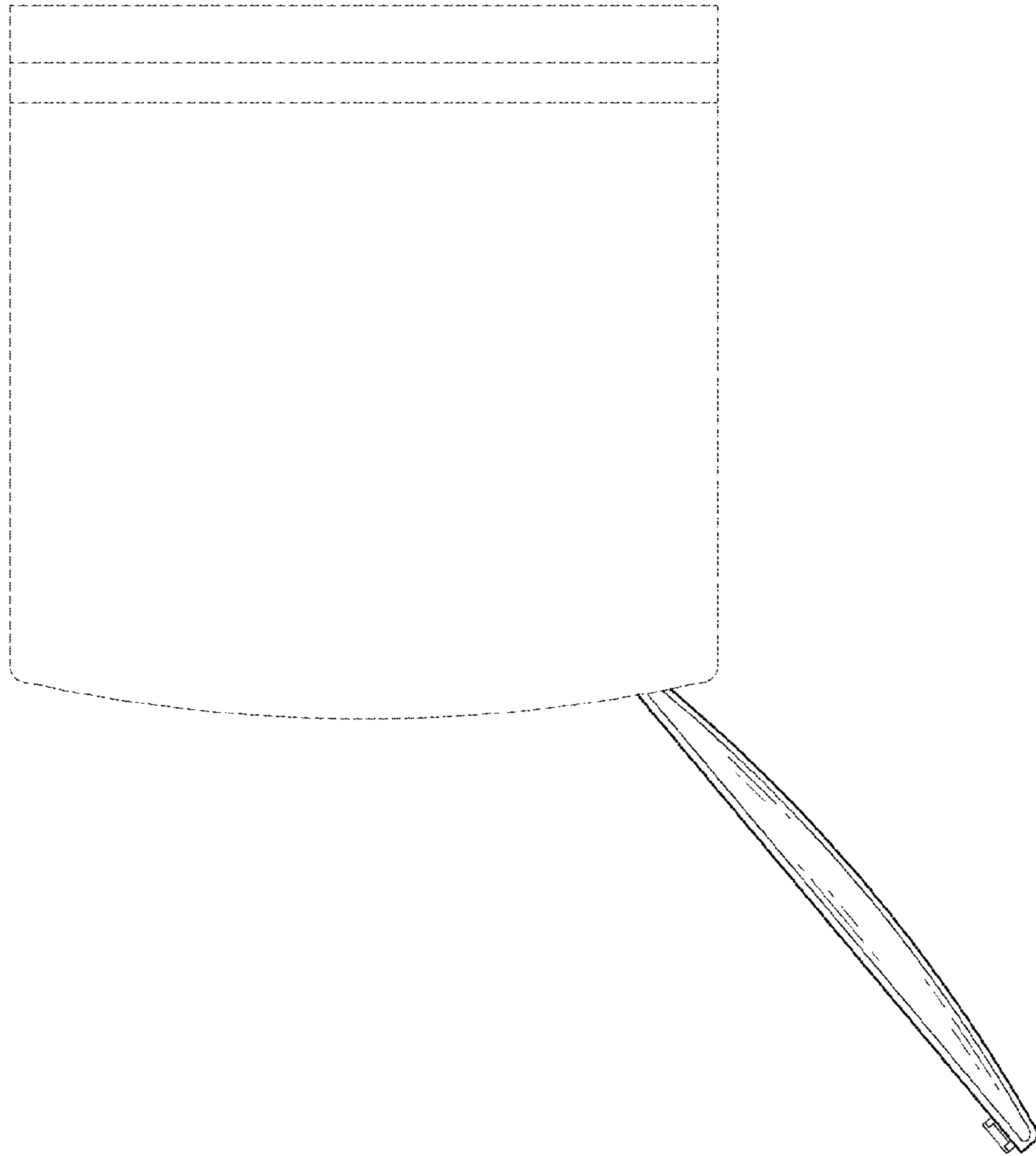




FIG. 7

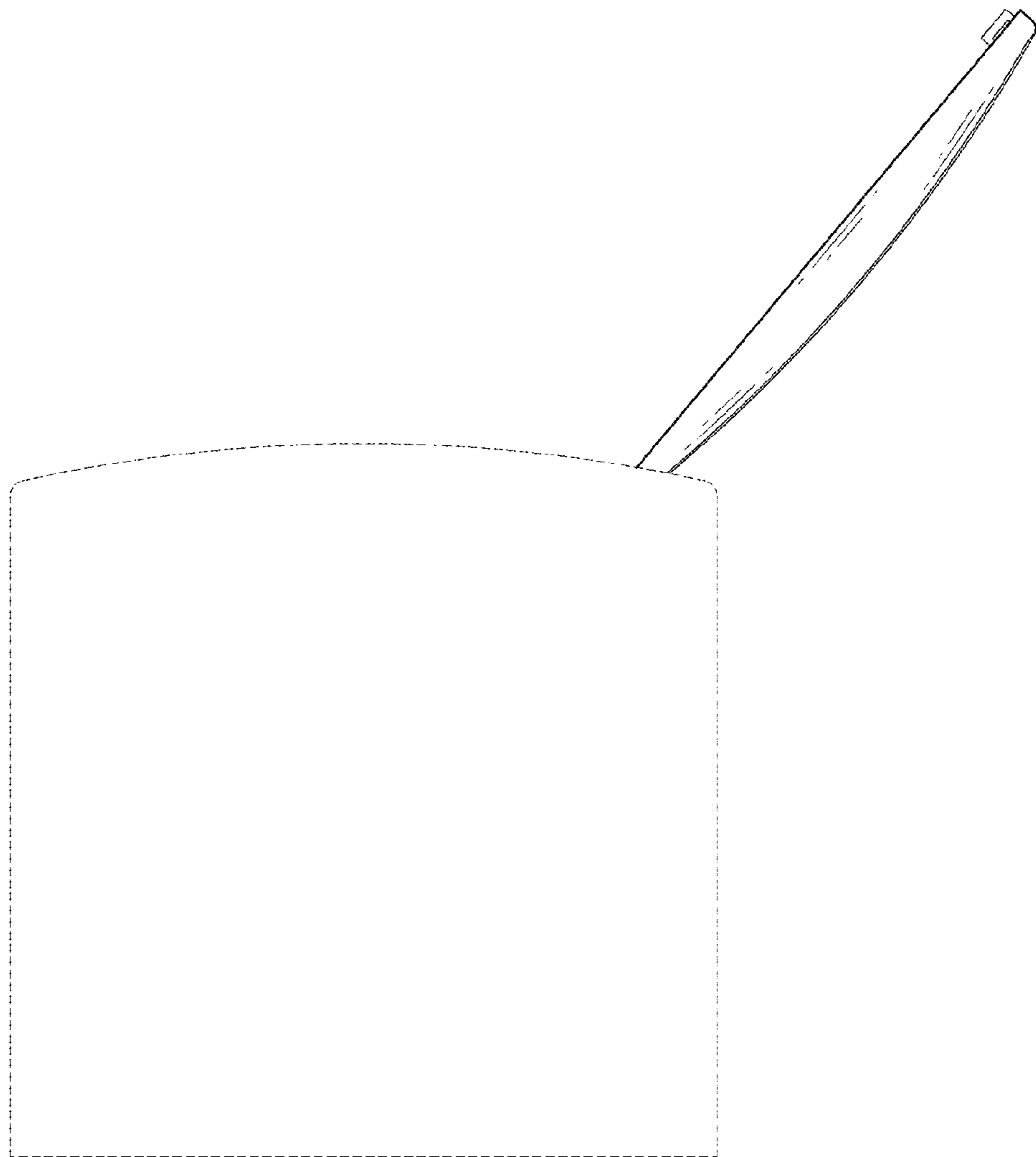


FIG. 8

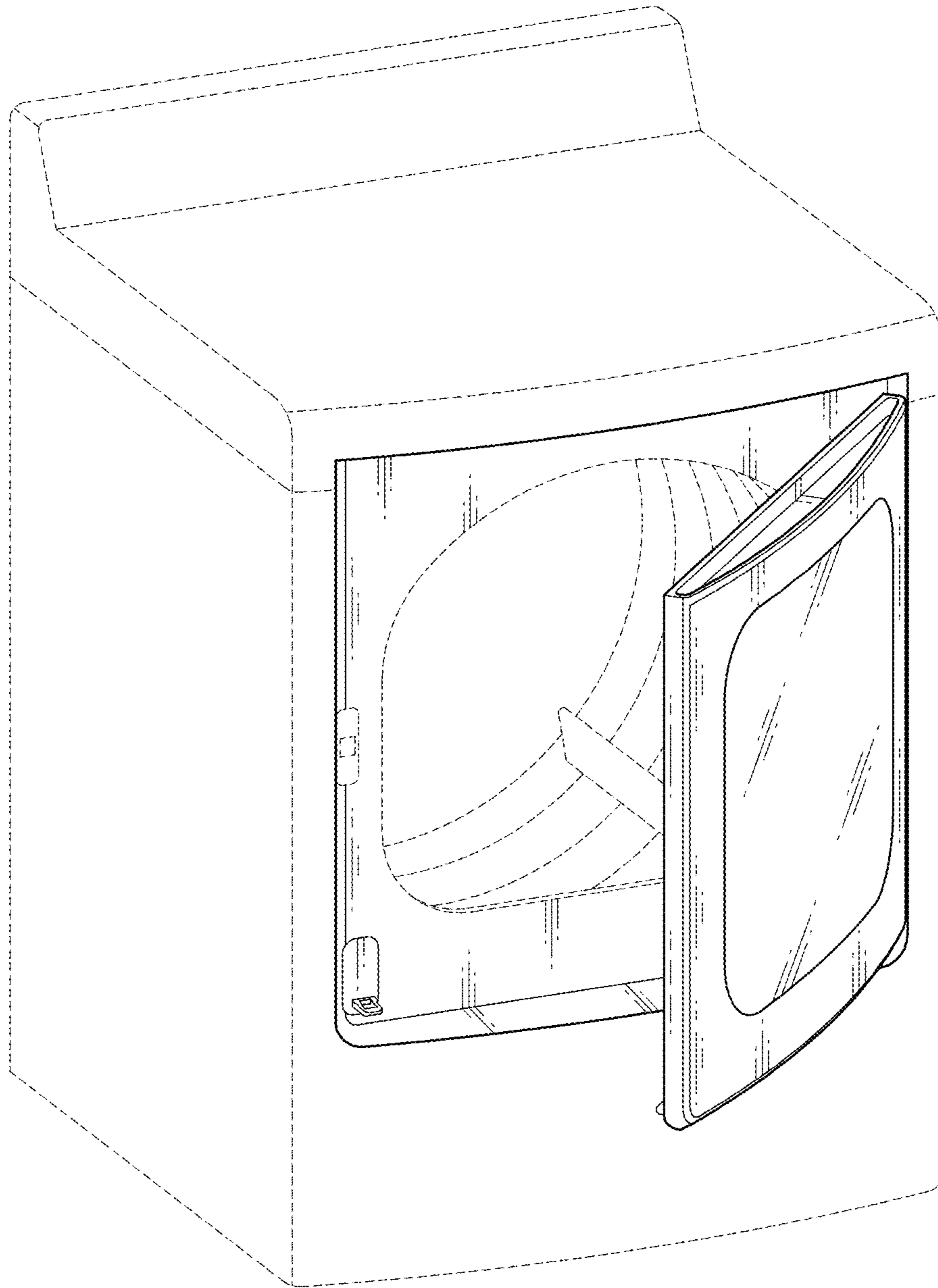


FIG. 9

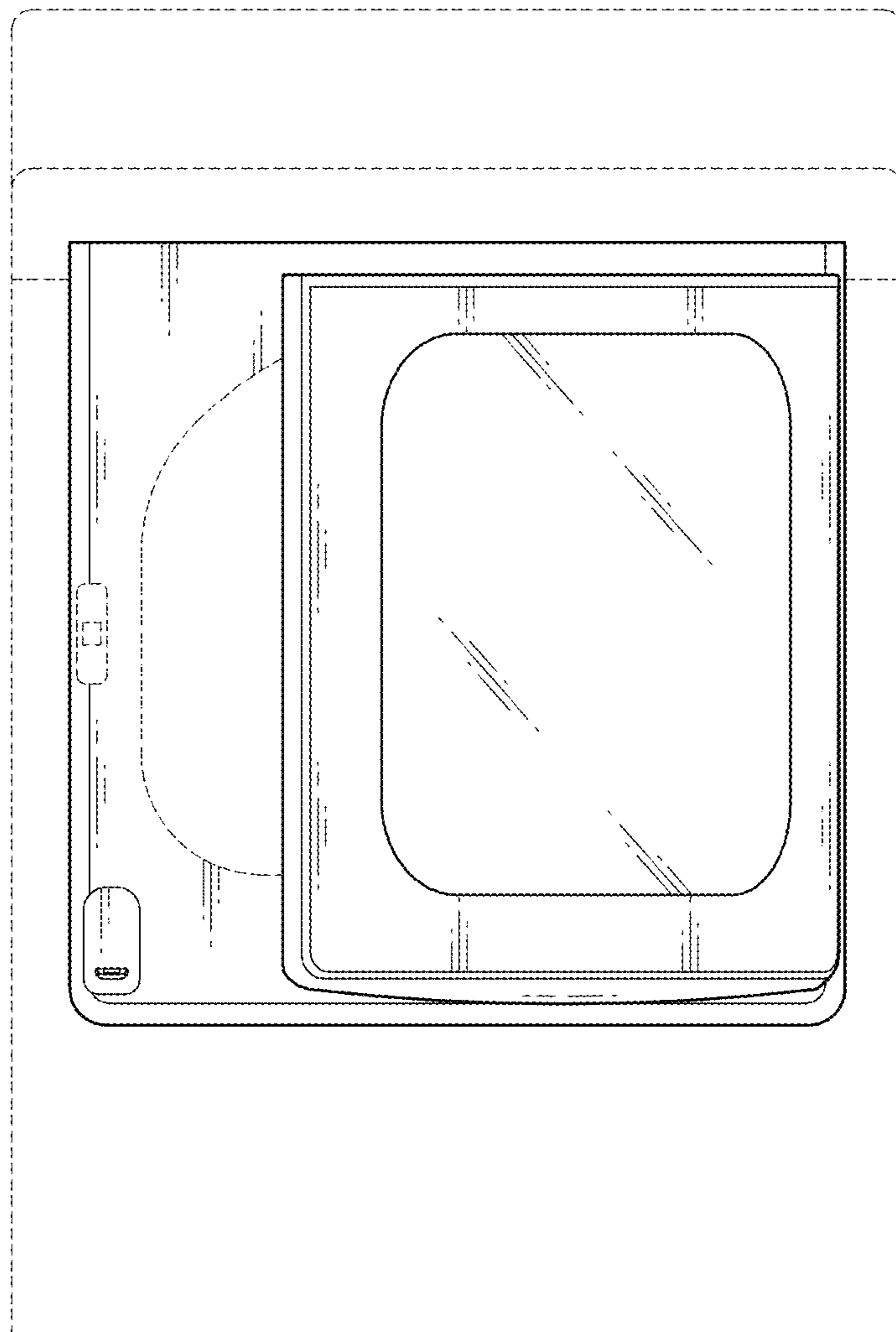


FIG. 10

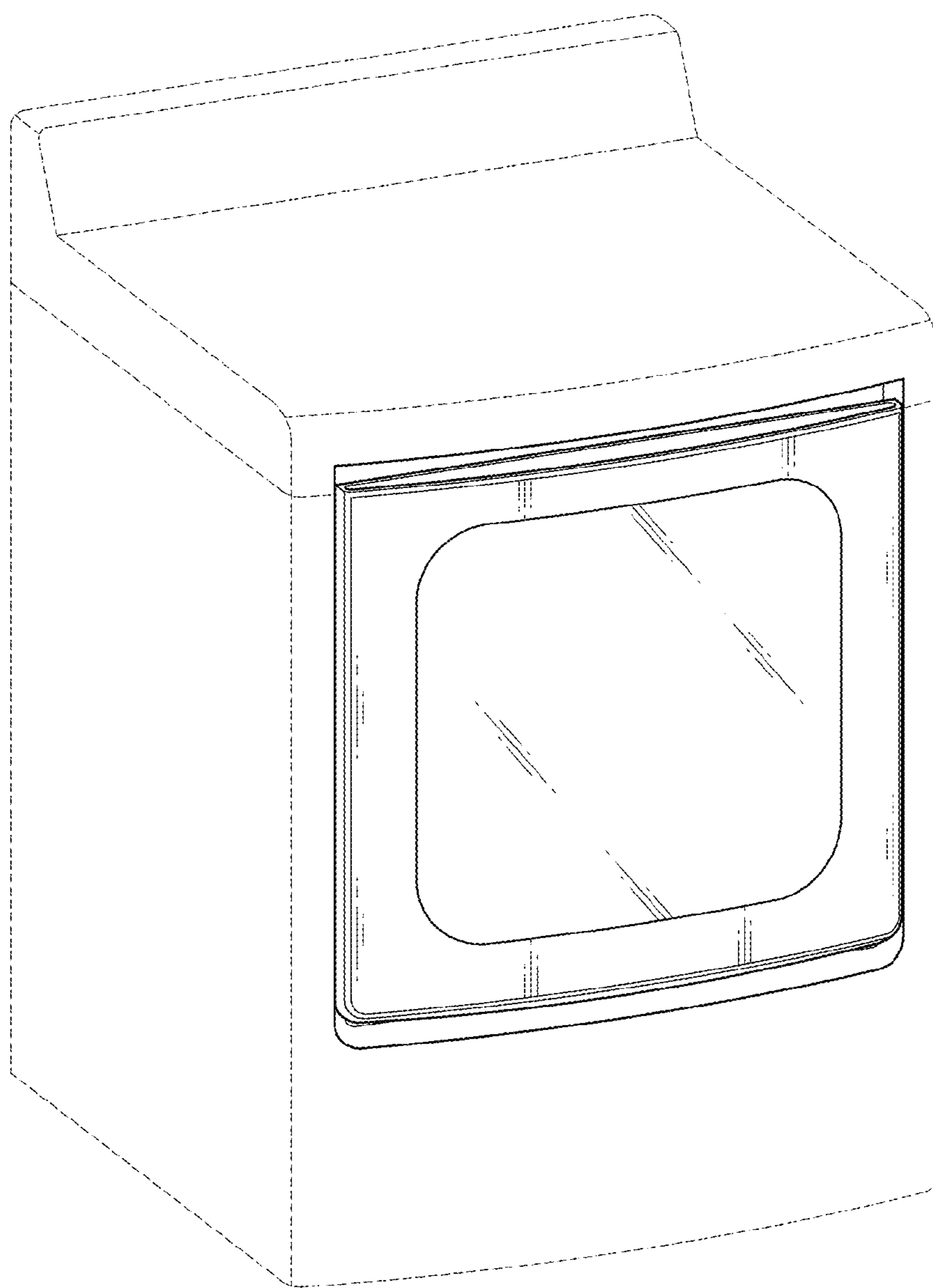


FIG. 11

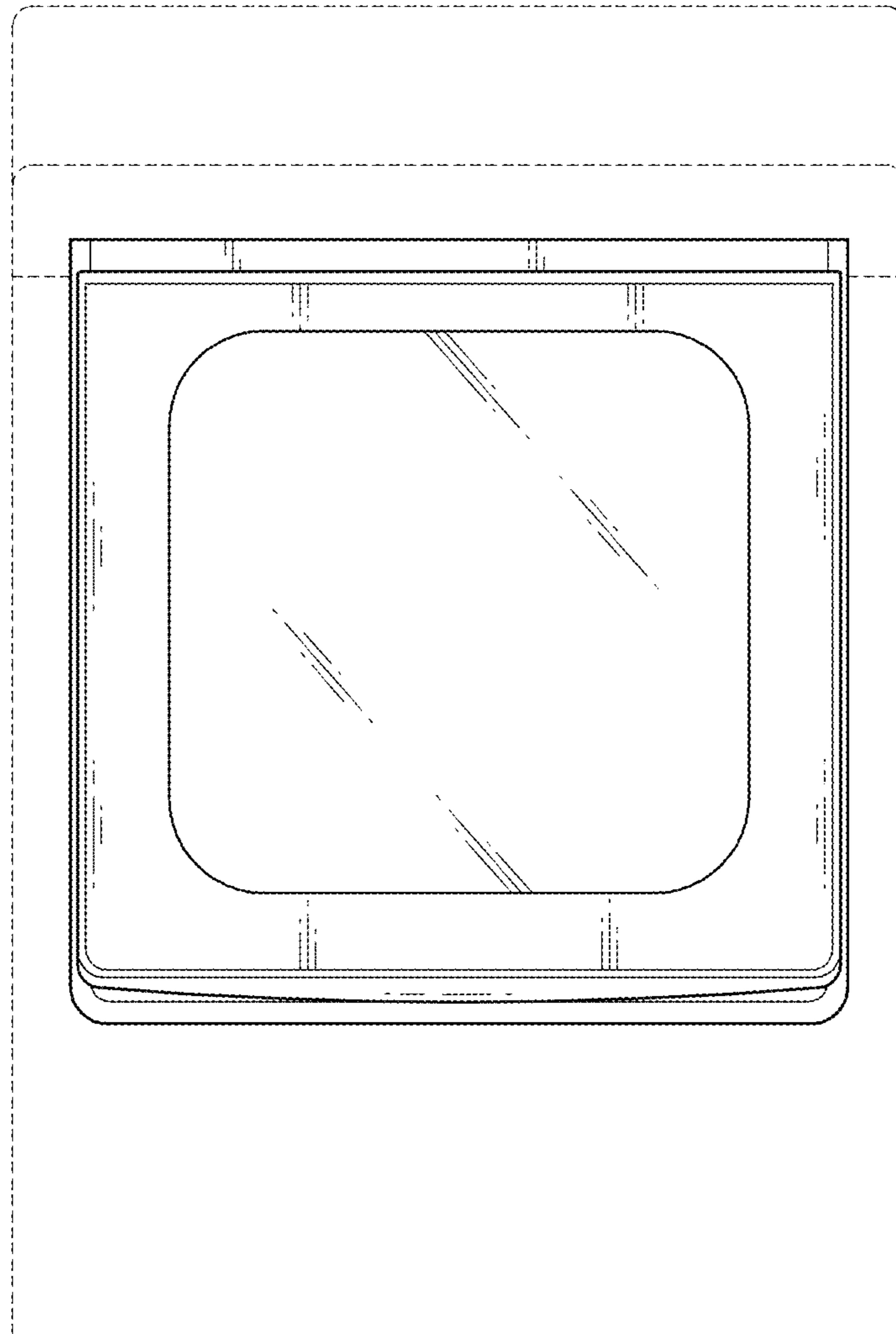


FIG. 12

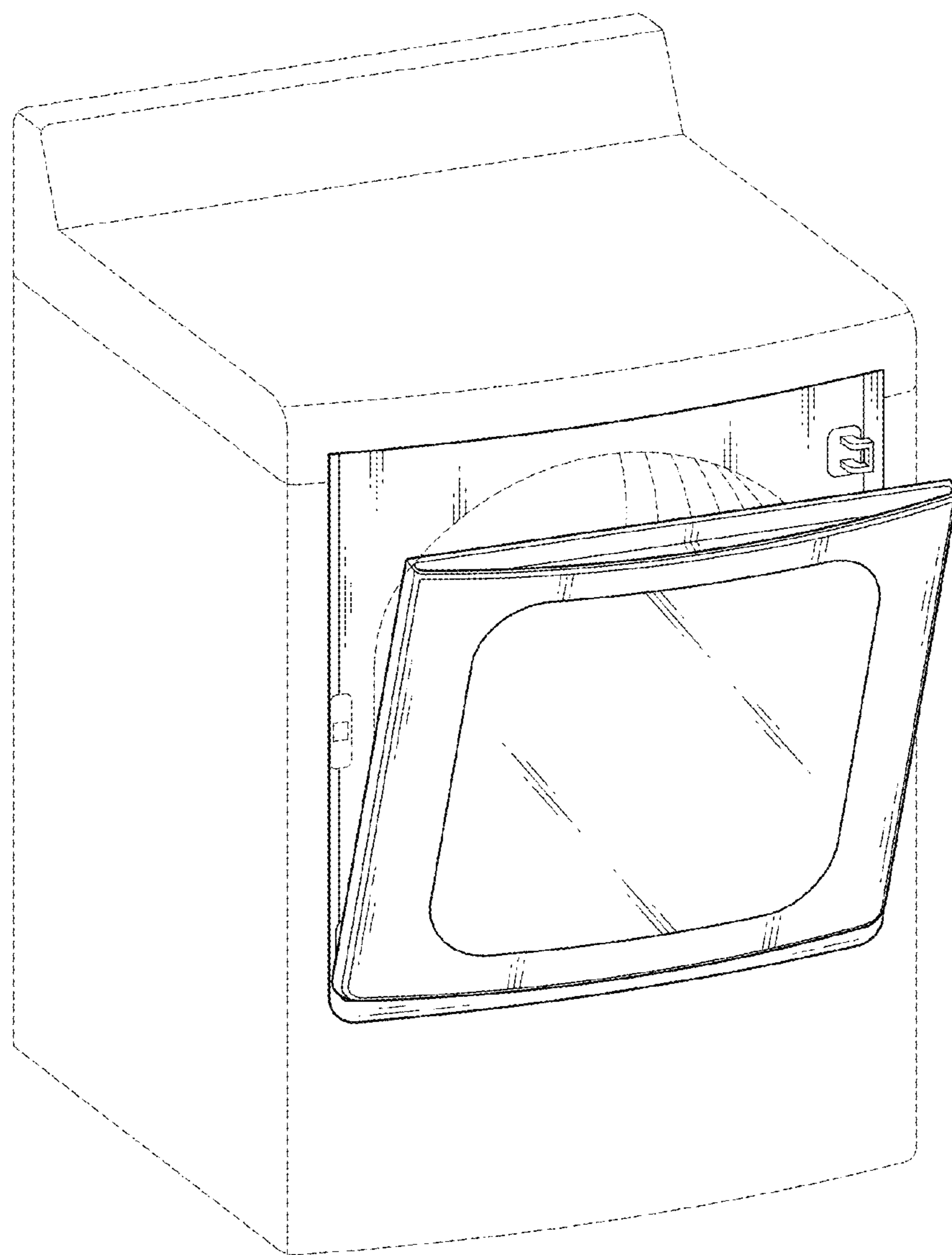


FIG. 13

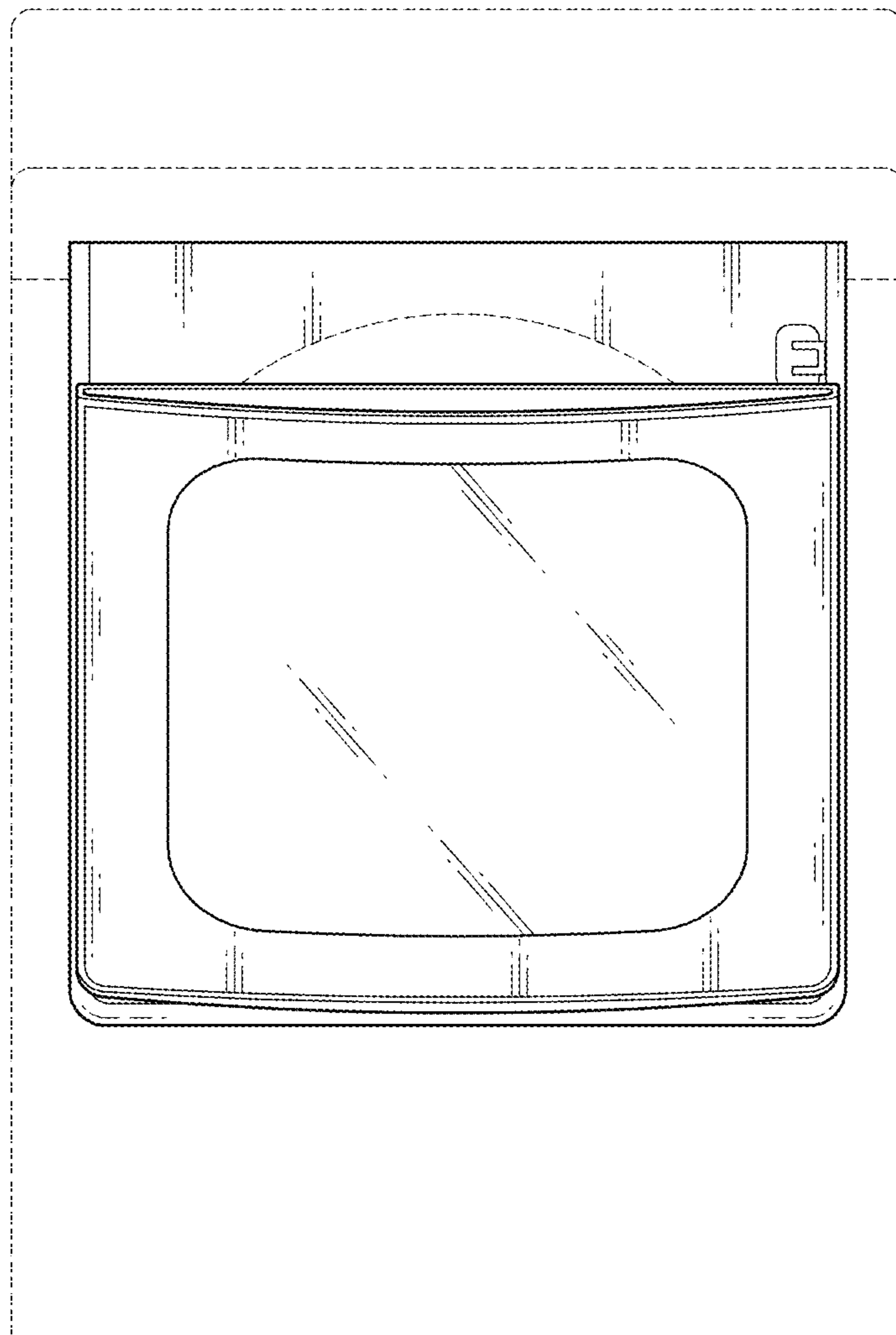




FIG. 14

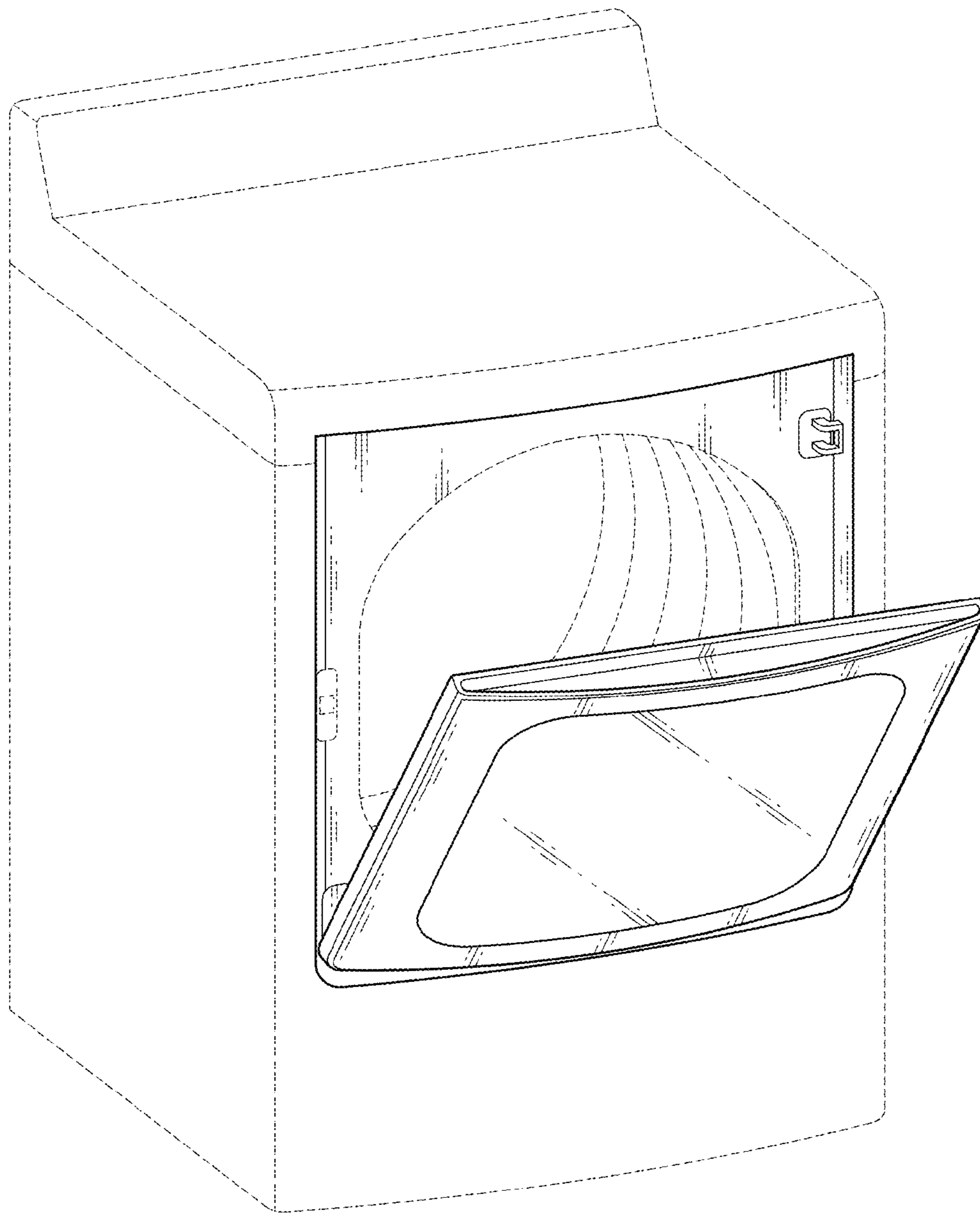


FIG. 15

