



US00D759912S

(12) **United States Design Patent**  
**Bixby et al.**

(10) **Patent No.:** **US D759,912 S**  
(45) **Date of Patent:** **\*\* Jun. 21, 2016**

- (54) **TOPLOAD WASHING APPLIANCE**
- (71) Applicant: **Whirlpool Corporation**, Benton Harbor, MI (US)
- (72) Inventors: **Seth E. Bixby**, Stevensville, MI (US); **Richard K. Gresens**, Saint Joseph, MI (US); **John W. McConnell**, Saint Joseph, MI (US); **Patrick J. Schiavone**, Benton Harbor, MI (US); **Samuel B. Breneman**, Saint Joseph, MI (US)
- (73) Assignee: **Whirlpool Corporation**, Benton Harbor, MI (US)
- (\*\*) Term: **14 Years**
- (21) Appl. No.: **29/499,757**
- (22) Filed: **Aug. 19, 2014**
- (51) **LOC (10) Cl.** ..... **15-05**
- (52) **U.S. Cl.**  
USPC ..... **D32/25**
- (58) **Field of Classification Search**  
USPC ..... D32/1-6, 8, 10, 24, 25, 28; 312/228, 312/228.1, 294, 326, 236; 8/137; 34/108, 34/595-597  
CPC ..... A47B 77/08; D06F 39/022; D06F 39/28; D06F 58/00; B29C 45/0053  
See application file for complete search history.

2011/0050059	A1*	3/2011	Kim	.....	D06F 23/04 312/228
2011/0050060	A1*	3/2011	Kim	.....	D06F 23/04 312/228
2011/0062837	A1*	3/2011	Kim	.....	D06F 23/04 312/228
2011/0089793	A1*	4/2011	Kim	.....	D06F 39/14 312/228
2011/0121694	A1*	5/2011	Kim	.....	D06F 39/14 312/204
2012/0327201	A1*	12/2012	Kappler	.....	D06F 39/005 348/61
2015/0123521	A1*	5/2015	Lee	.....	D06F 39/14 312/228

(Continued)

*Primary Examiner* — Rosemary K Tarca  
*Assistant Examiner* — Yolanda Robinson

(57) **CLAIM**

We claim the ornamental design for a topload washing appliance, as shown and described.

**DESCRIPTION**

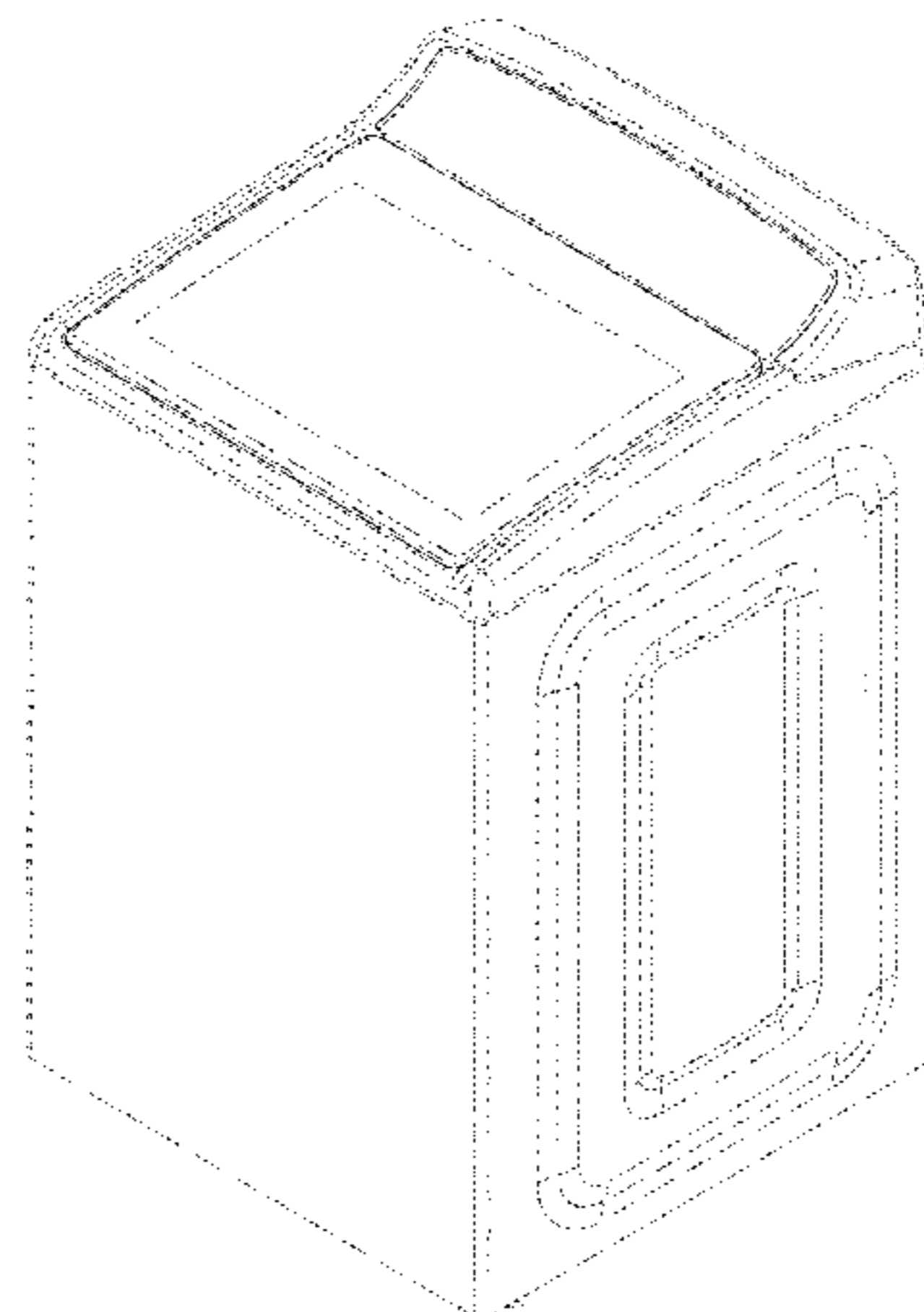
FIG. 1 is a first top perspective view of the topload washing appliance of the present invention;  
 FIG. 2 is a second top perspective view of the topload washing appliance the present invention;  
 FIG. 3 is a top plan view of the topload washing appliance the present invention;  
 FIG. 4 is a bottom plan view of the topload washing appliance of the present invention;  
 FIG. 5 is a first side elevation view of the topload washing appliance of the present invention;  
 FIG. 6 is a second side elevation view of the topload washing appliance of the present invention;  
 FIG. 7 is a third side elevation view of the topload washing appliance of the present invention; and  
 FIG. 8 is a fourth side elevation view of the topload washing appliance of the present invention; and,  
 FIG. 9 is another first side elevation view of the topload washing appliance of the present invention with the door in an open position to view the underside of the washing appliance door.  
 The broken lines shown in the figures are for the purpose of illustrating unclaimed portions of the topload washing appliance, and form no part of the claimed design.  
 The dash-dot broken line(s) define the bounds of the claimed design and form no part thereof.

**1 Claim, 9 Drawing Sheets**

(56) **References Cited**

U.S. PATENT DOCUMENTS

6,665,984	B2*	12/2003	Bienick	.....	D06F 37/18 49/501
8,511,115	B2*	8/2013	Kim	.....	D06F 39/14 16/225
2003/0042654	A1*	3/2003	Bienick	.....	D06F 37/18 264/239
2004/0068951	A1*	4/2004	Bienick	.....	D06F 37/18 42/455
2005/0050925	A1*	3/2005	Je	.....	D06F 39/14 68/3 R
2006/0288742	A1*	12/2006	Hapke	.....	D06F 39/14 68/12.26
2009/0229320	A1*	9/2009	Yoo	.....	D06F 39/14 68/3 R



# US D759,912 S

Page 2

---

(56)

## References Cited

### U.S. PATENT DOCUMENTS

2015/0233039	A1*	8/2015	Cho	.....	D06F 37/225	312/228	2015/0267337	A1*	9/2015	Kim	.....	D06F 1/04	68/27
2015/0233042	A1*	8/2015	Kang	.....	D06F 39/12	312/228	2015/0292136	A1*	10/2015	Leonard	.....	D06F 37/203	8/147
2015/0252508	A1*	9/2015	Kim	.....	D06F 1/04	68/27	2016/0010268	A1*	1/2016	Hawboldt	.....	D06F 39/087	8/137

\* cited by examiner

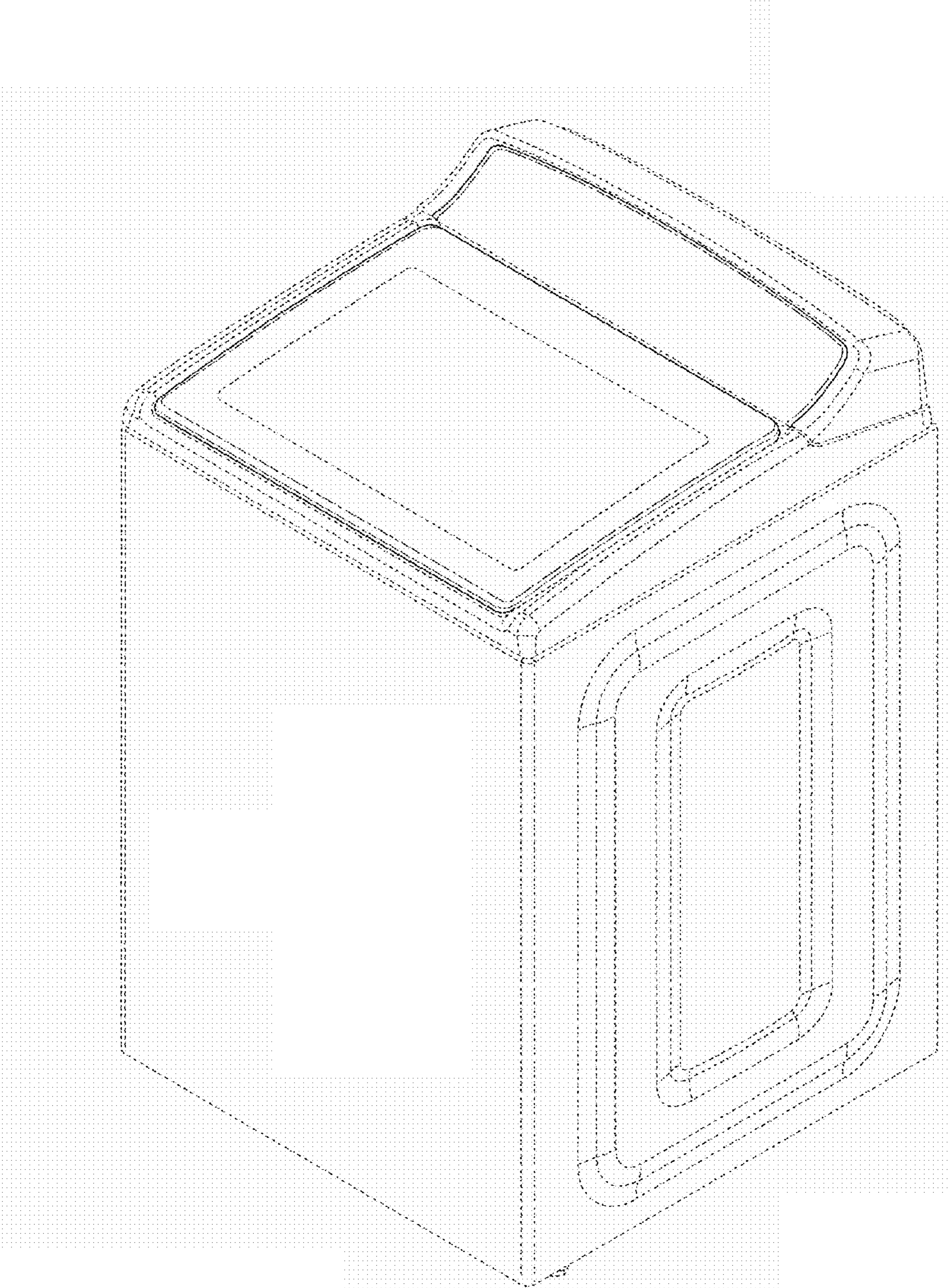


FIG. 1



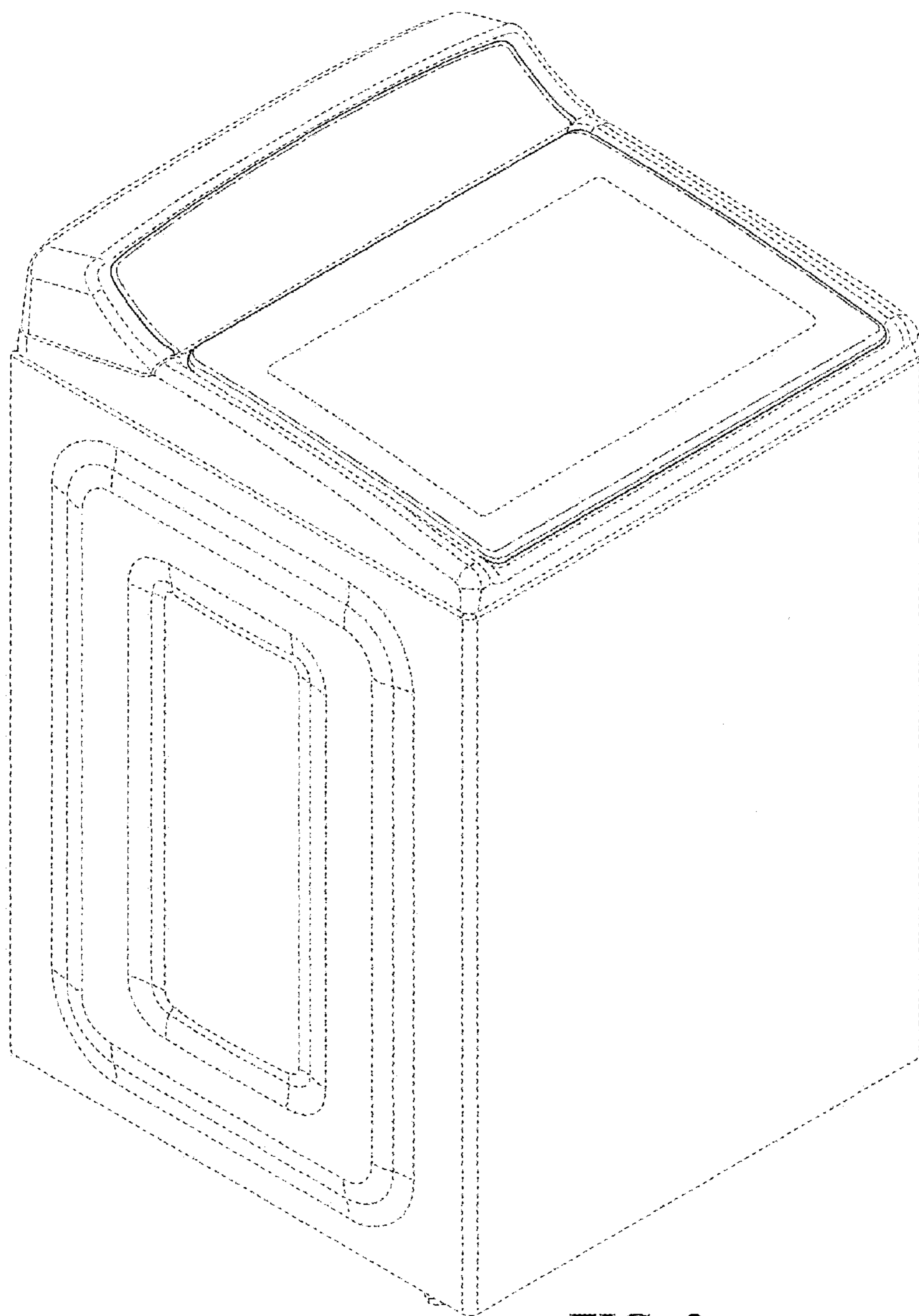


FIG. 2

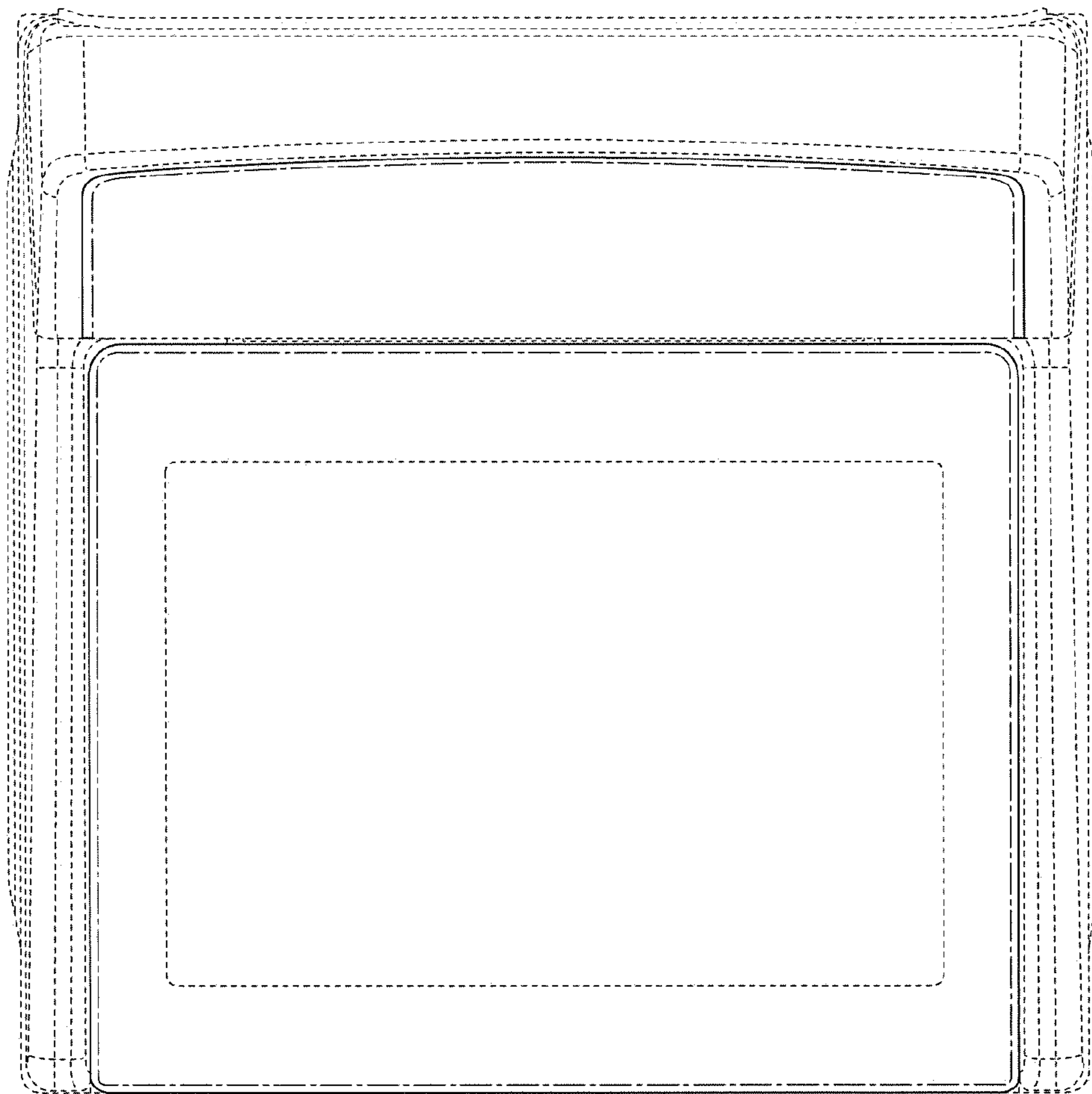


FIG. 3

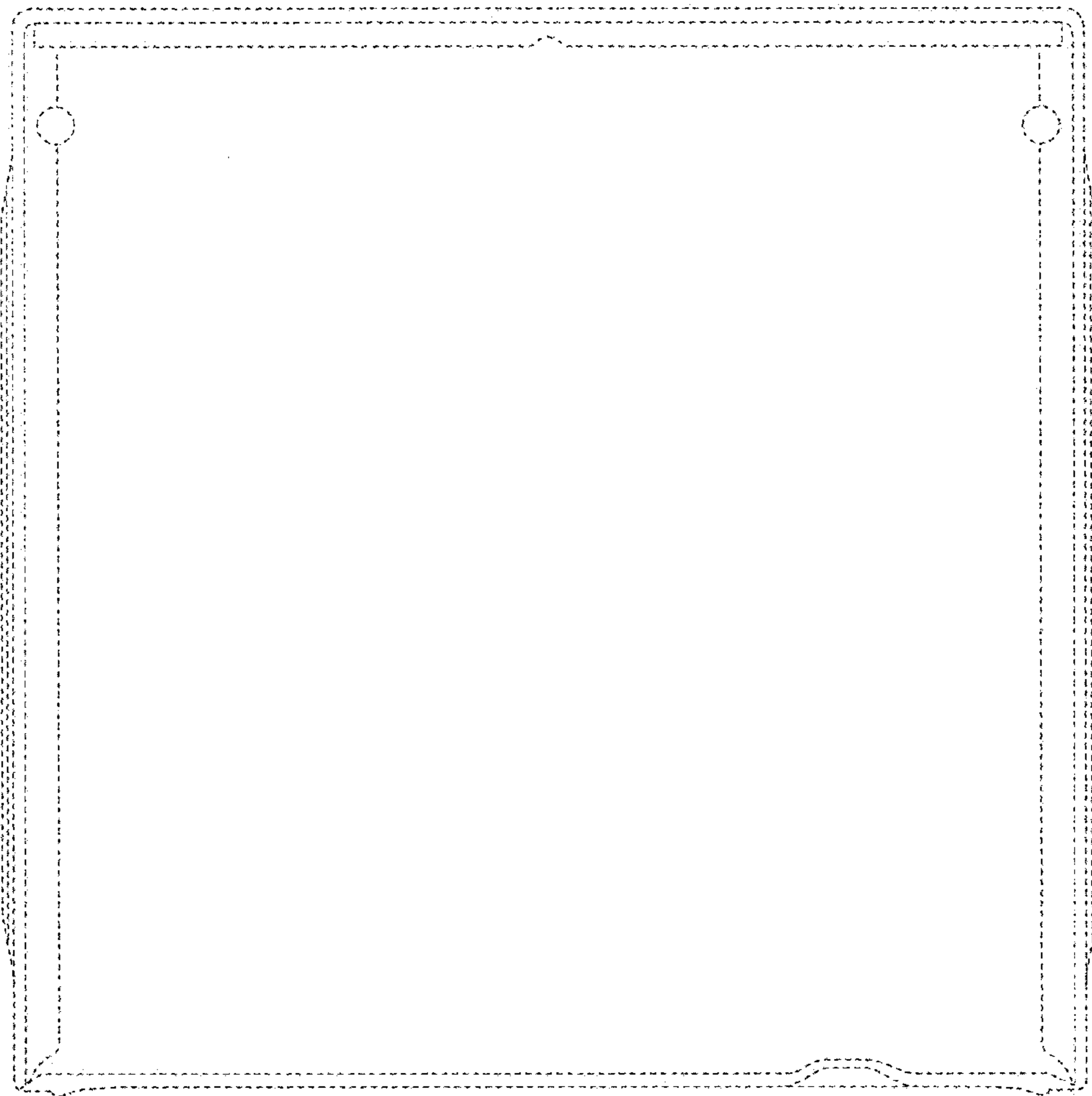


FIG. 4

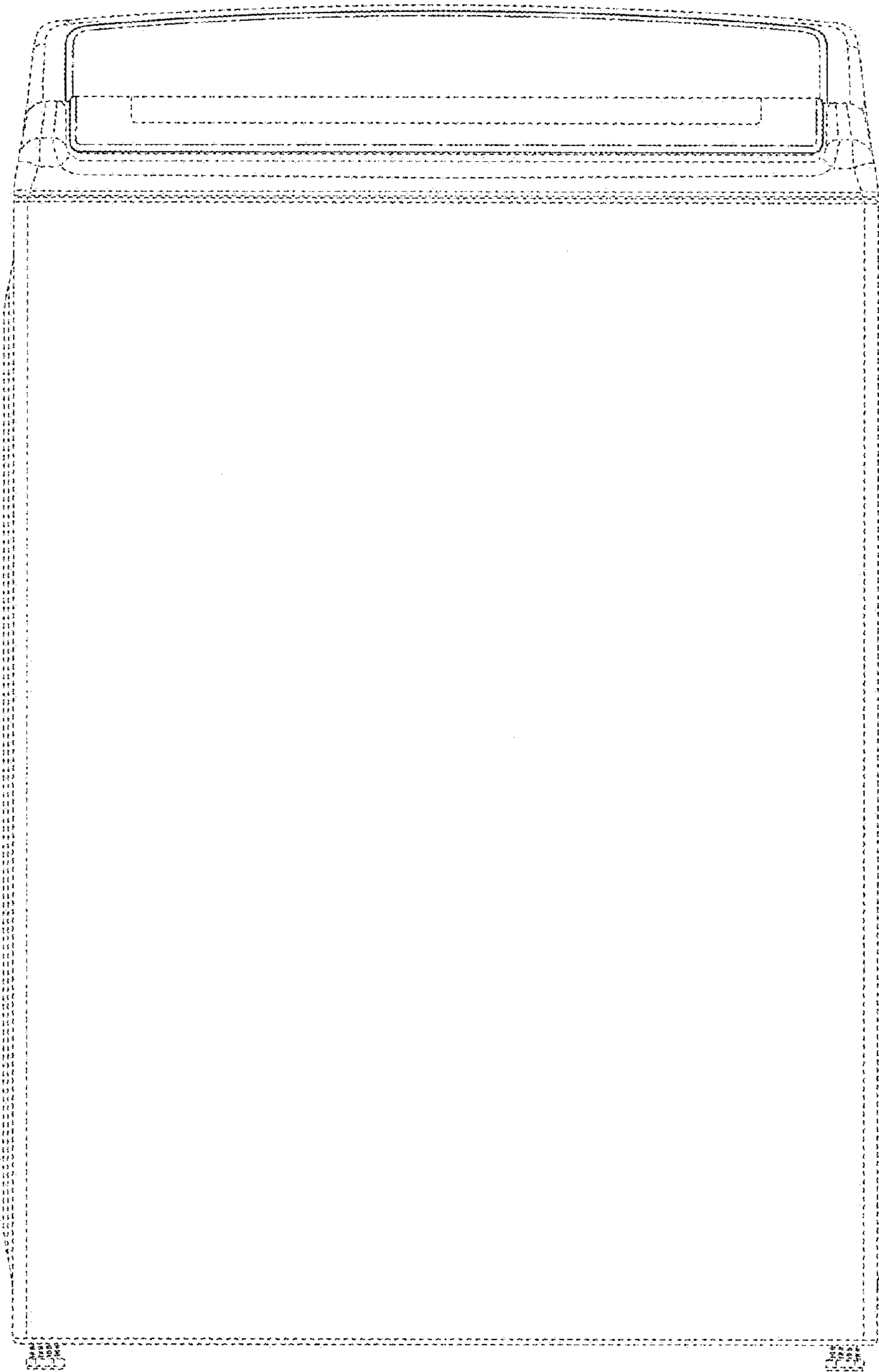


FIG. 5

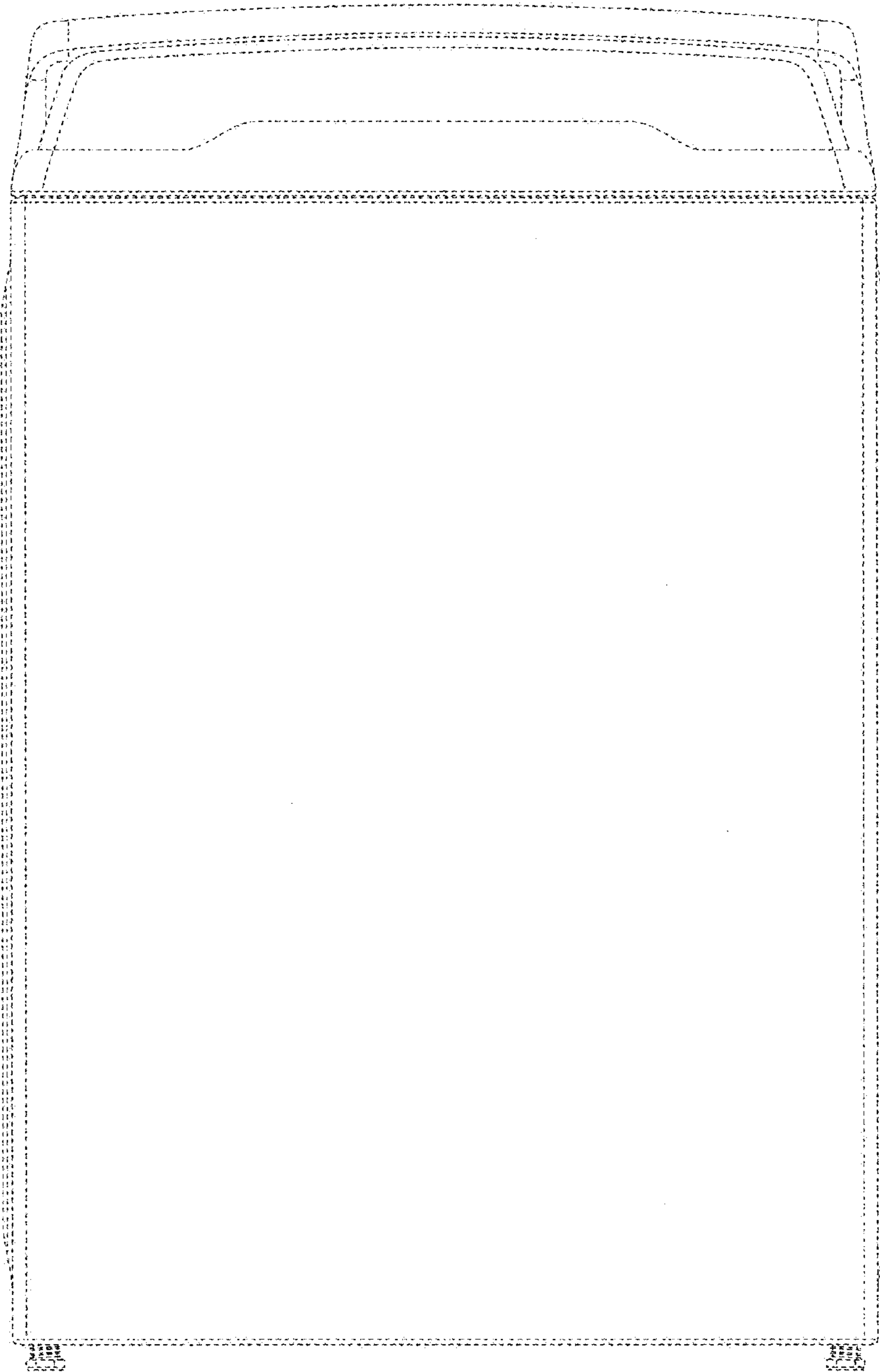


FIG. 6



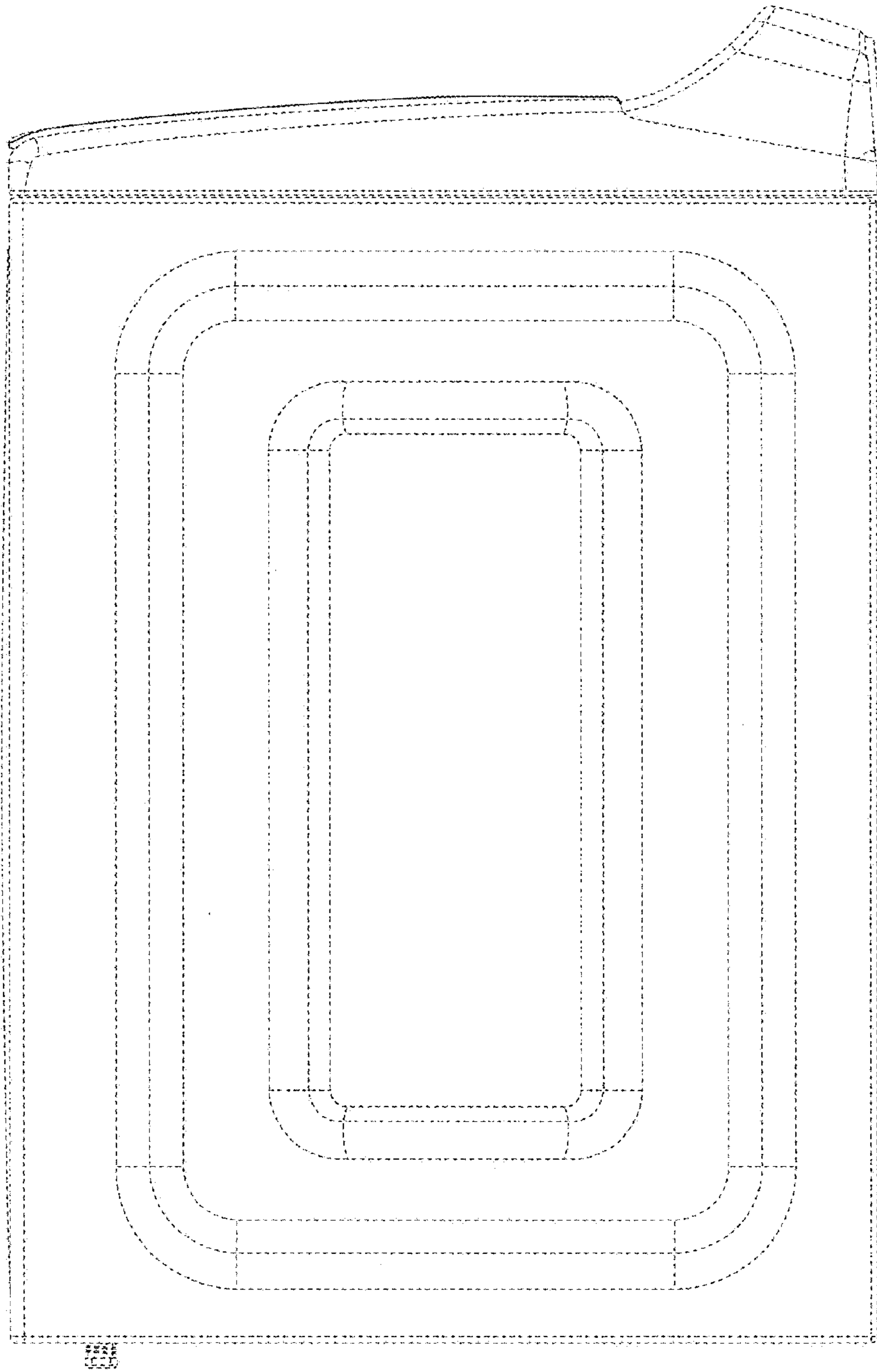


FIG. 7

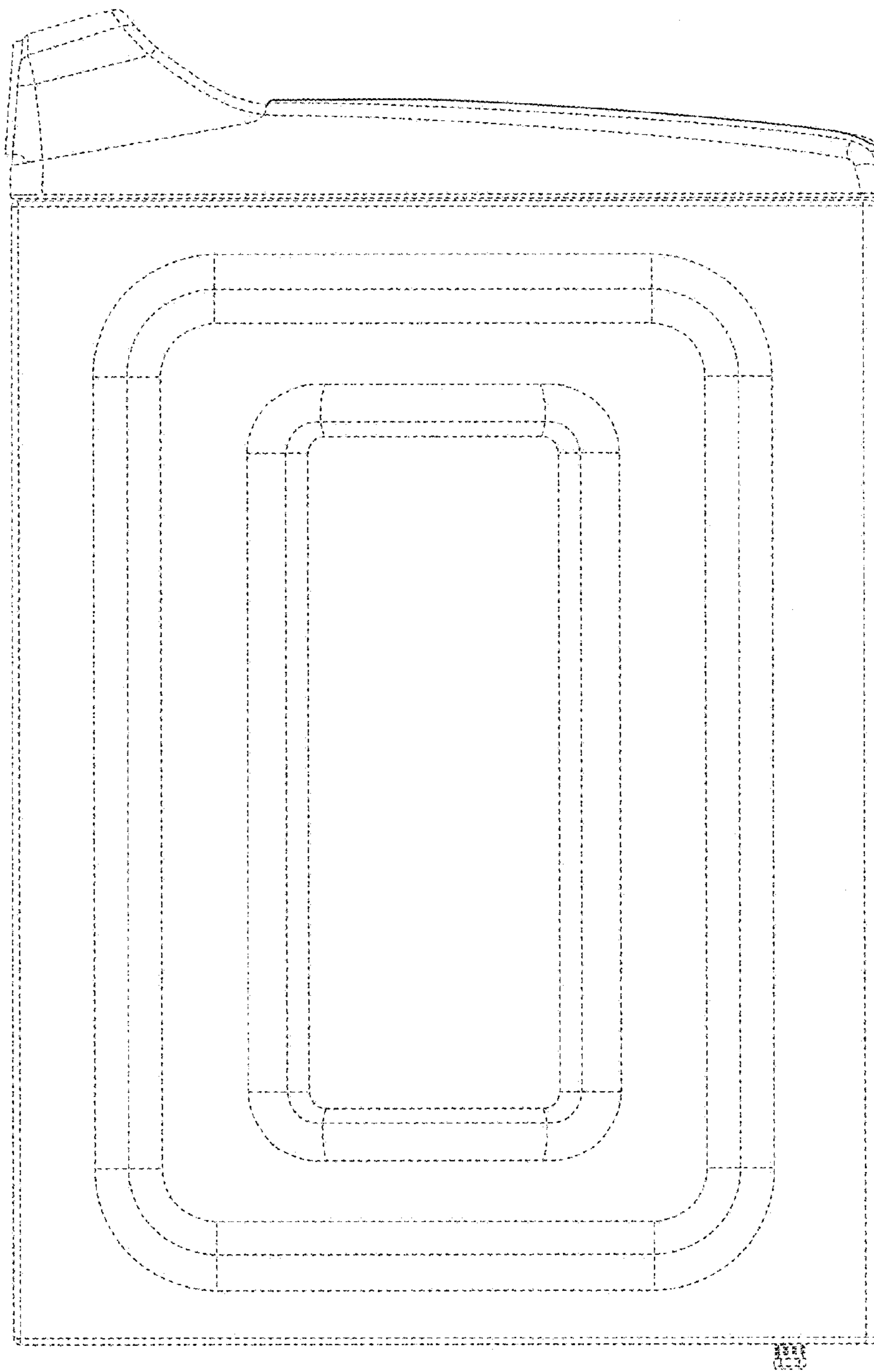


FIG. 8

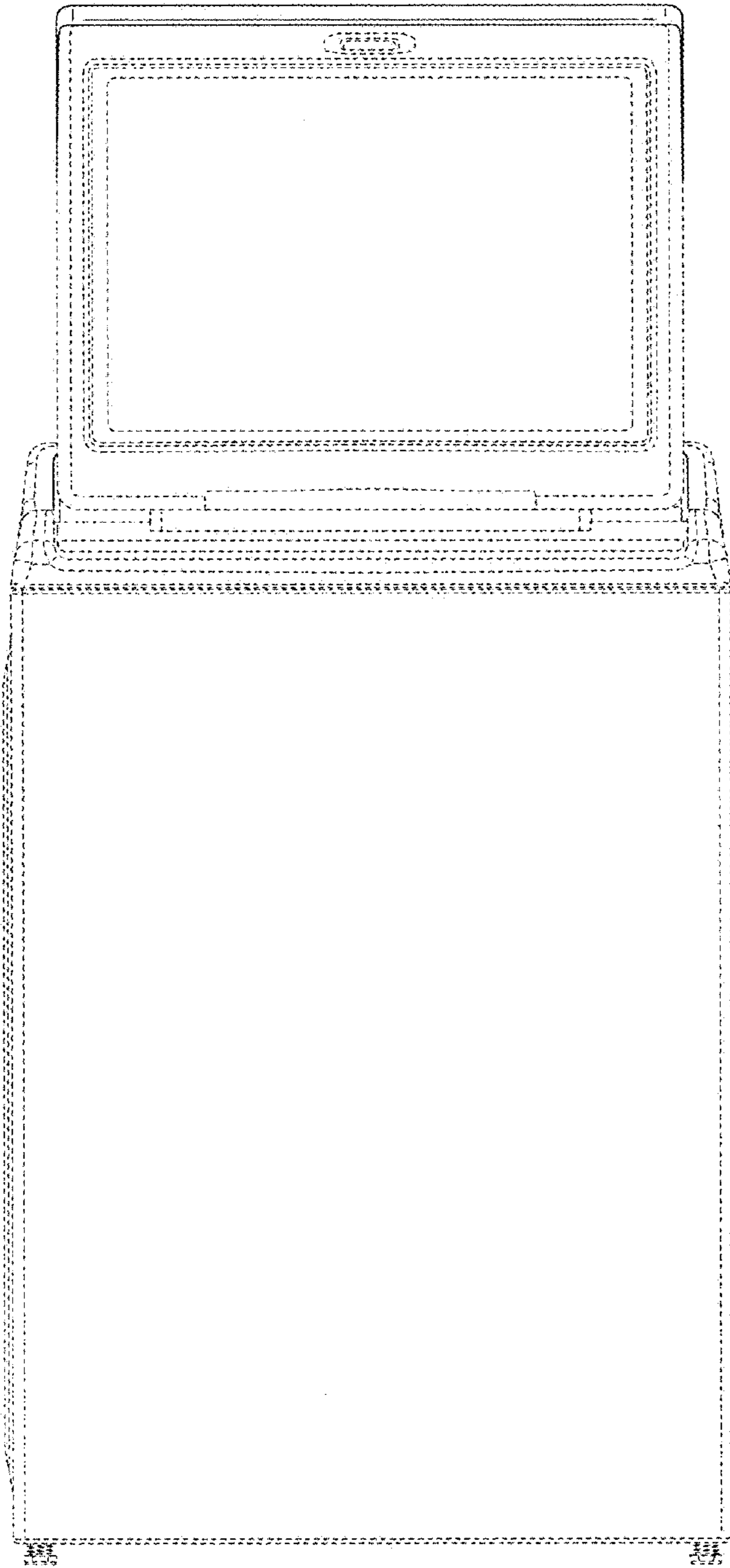


FIG. 9