



US00D759909S

(12) **United States Design Patent**  
**Kim et al.**

(10) **Patent No.:** **US D759,909 S**  
(45) **Date of Patent:** **\*\* Jun. 21, 2016**

- (54) **WASHING MACHINE**
- (71) Applicant: **Samsung Electronics Co., Ltd.**,  
Suwon-si (KR)
- (72) Inventors: **Kang-Doo Kim**, Seoul (KR); **Jinnam Kim**, Suwon-si (KR); **Sungjae Lee**, Kwangmyung-si (KR); **Chris Bangle**, Clavesana (IT)
- (73) Assignee: **Samsung Electronics Co., Ltd.**,  
Suwon-si (KR)
- (\*\*) Term: **14 Years**
- (21) Appl. No.: **29/523,950**
- (22) Filed: **Apr. 15, 2015**

**Related U.S. Application Data**

- (63) Continuation of application No. 29/483,018, filed on Feb. 25, 2014, now Pat. No. Des. 730,596.

**Foreign Application Priority Data**

- Sep. 2, 2013 (KR) ..... 30-2013-0045144
- (51) **LOC (10) Cl.** ..... **15-05**
- (52) **U.S. Cl.**  
USPC ..... **D32/6**
- (58) **Field of Classification Search**  
USPC ..... D32/1, 5-6, 8  
CPC ... D06F 33/02; D06F 39/02; D06F 2204/065;  
D06F 25/00; D06F 35/006  
See application file for complete search history.

**References Cited**

**U.S. PATENT DOCUMENTS**

- D450,164 S 11/2001 Dyson et al.
- D457,992 S 5/2002 Baldwin et al.
- D459,844 S 7/2002 Baldwin et al.
- D477,898 S 7/2003 Geyer

- D517,257 S 3/2006 Kim et al.
- D517,258 S 3/2006 Ha et al.
- D517,259 S 3/2006 Ha et al.
- D518,251 S 3/2006 Kwon et al.
- D529,242 S 9/2006 Ha et al.

(Continued)

**FOREIGN PATENT DOCUMENTS**

- KR 30-0441662 S 2/2007
- KR 30-0462334 S 9/2007

(Continued)

**OTHER PUBLICATIONS**

Russian Office Action issued on Oct. 28, 2014 in the Russian Patent Office in corresponding Russian Design Application No. 2014500813 (5 pages and a complete English Translation).

*Primary Examiner* — T. Chase Nelson  
*Assistant Examiner* — Michelle E Wilson  
(74) *Attorney, Agent, or Firm* — NSIP Law

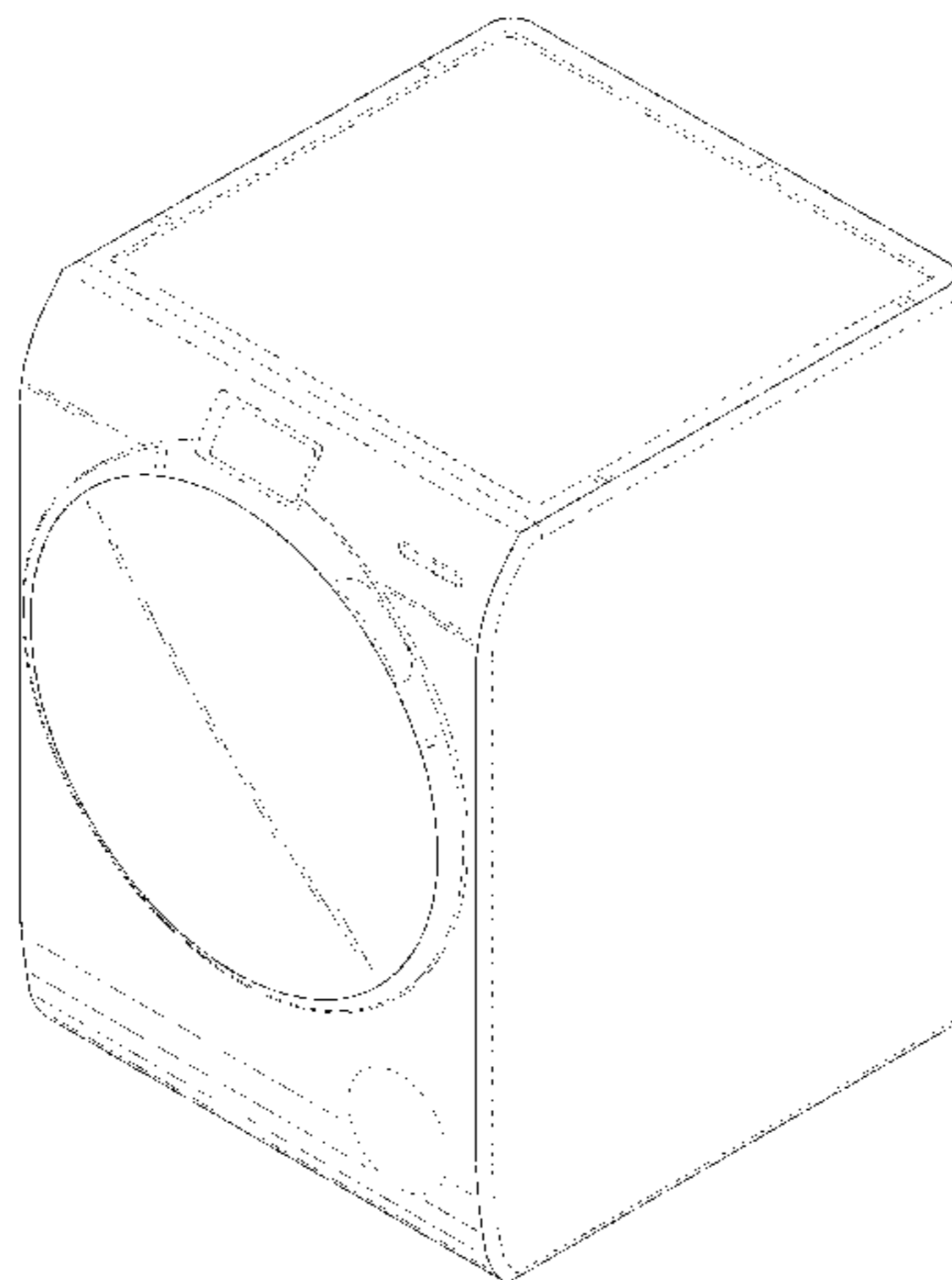
**CLAIM**

(57) We claim the ornamental design for a washing machine, as shown and described.

**DESCRIPTION**

FIG. 1 is a front perspective view of a washing machine showing our new design;  
FIG. 2 is a front view thereof;  
FIG. 3 is a rear view thereof;  
FIG. 4 is a left-side view thereof;  
FIG. 5 is a right-side view thereof;  
FIG. 6 is a top view thereof; and,  
FIG. 7 is a bottom view thereof.  
The shade lines in the figures show contour and not surface ornamentation.  
The broken lines in the figures show portions of the washing machine which form no part of the claimed design.

**1 Claim, 7 Drawing Sheets**



# US D759,909 S

Page 2

(56)

## References Cited

### U.S. PATENT DOCUMENTS

D549,898 S 8/2007 Suh  
D549,899 S 8/2007 Suh  
D556,956 S \* 12/2007 Kim ..... D32/6  
D575,913 S \* 8/2008 Jeon ..... D32/6  
D589,216 S \* 3/2009 Park ..... D32/6  
D616,162 S \* 5/2010 Park ..... D32/6  
D618,864 S \* 6/2010 Jeon ..... D32/6  
D631,624 S \* 1/2011 Chung ..... D32/6  
D633,262 S \* 2/2011 Jeon ..... D32/6

D648,907 S 11/2011 Jeon et al.  
D694,967 S \* 12/2013 Jeon ..... D32/6  
D706,999 S \* 6/2014 Cho ..... D32/6  
D708,800 S \* 7/2014 Choi ..... D32/6  
D714,502 S \* 9/2014 Jeon ..... D32/25  
D747,836 S \* 1/2016 Cho ..... D32/6

### FOREIGN PATENT DOCUMENTS

RU 62024 3/2007  
RU 63070 6/2007

\* cited by examiner

FIG. 1

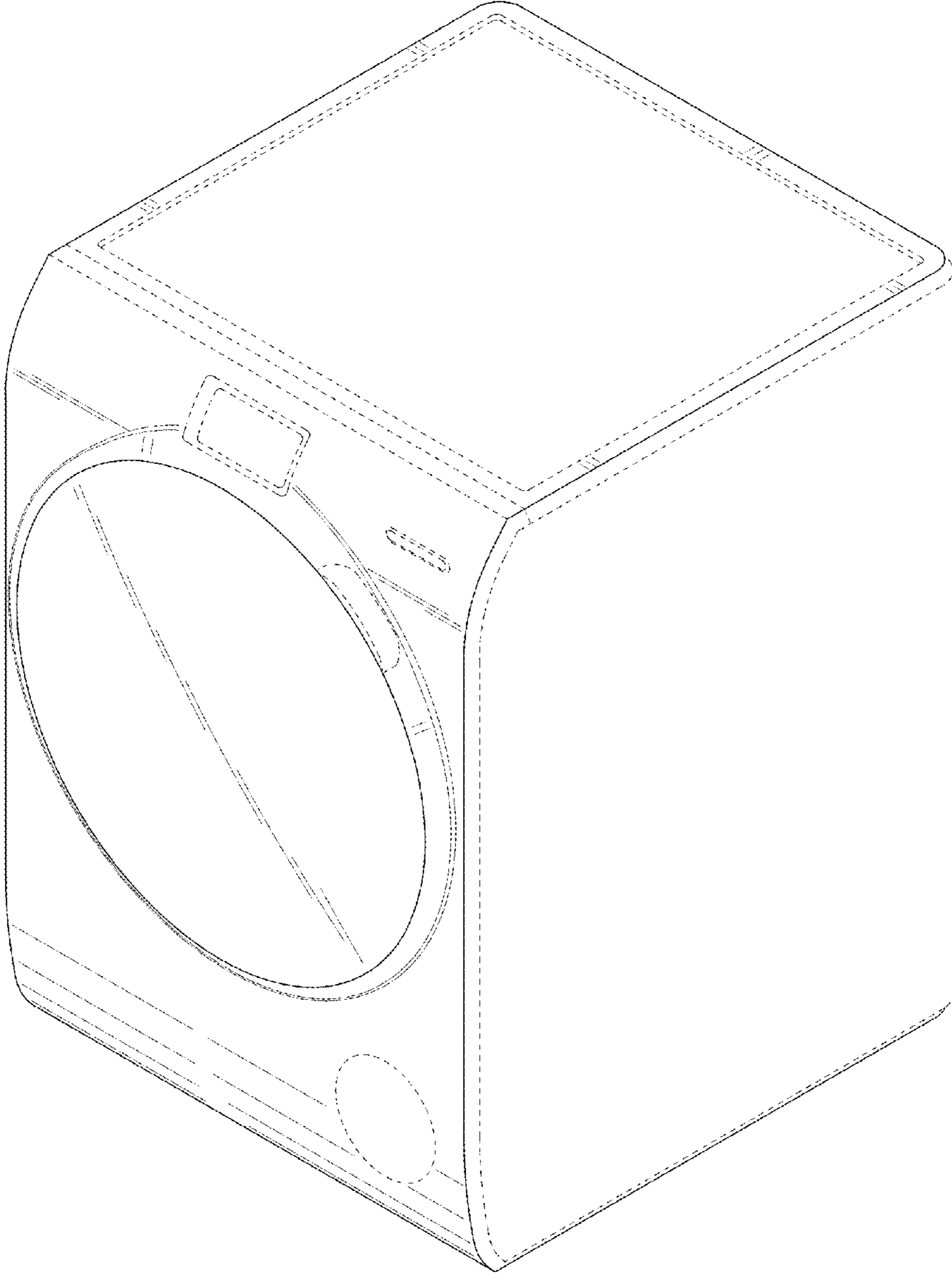


FIG. 2

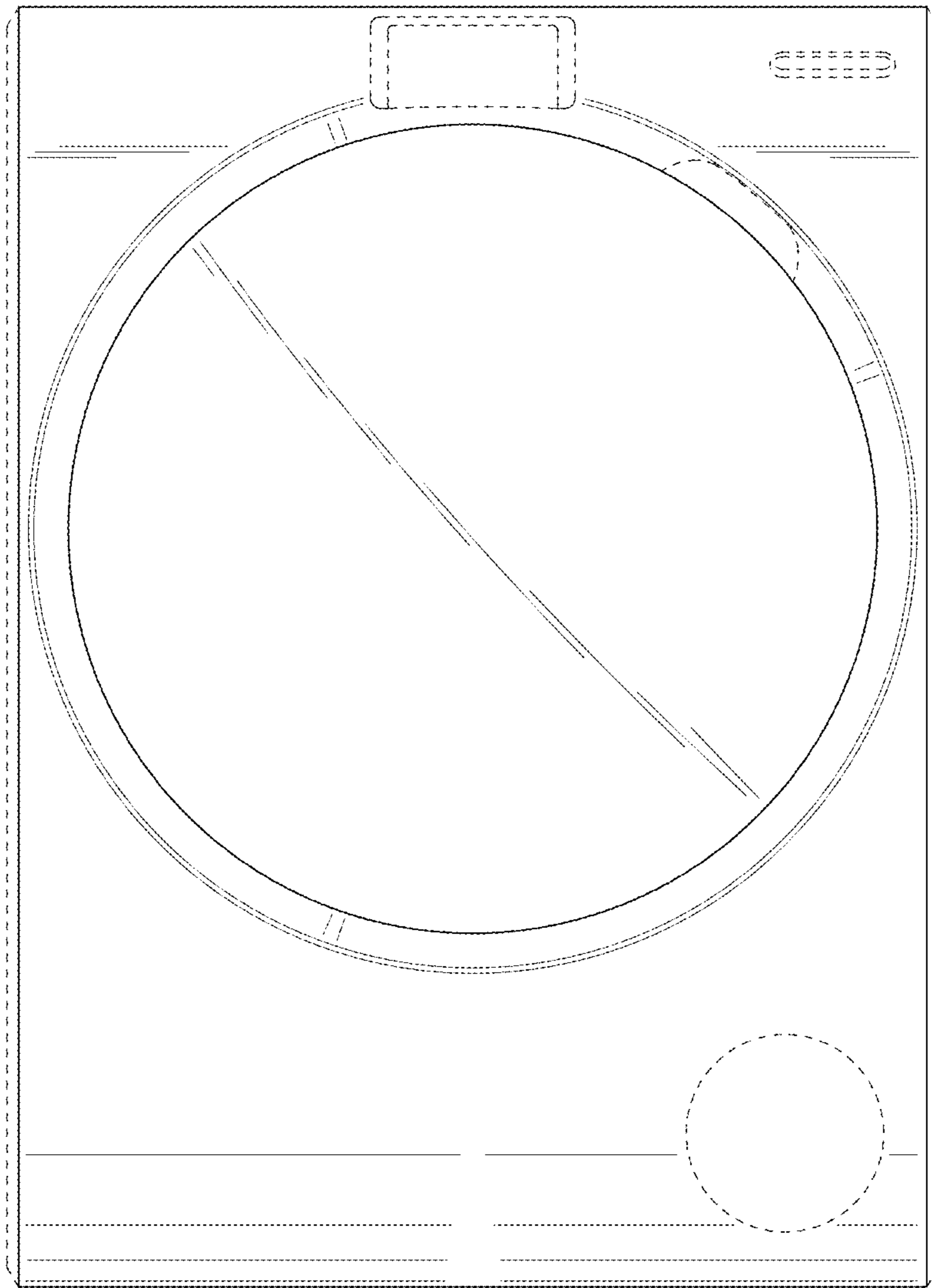


FIG. 3



FIG. 4

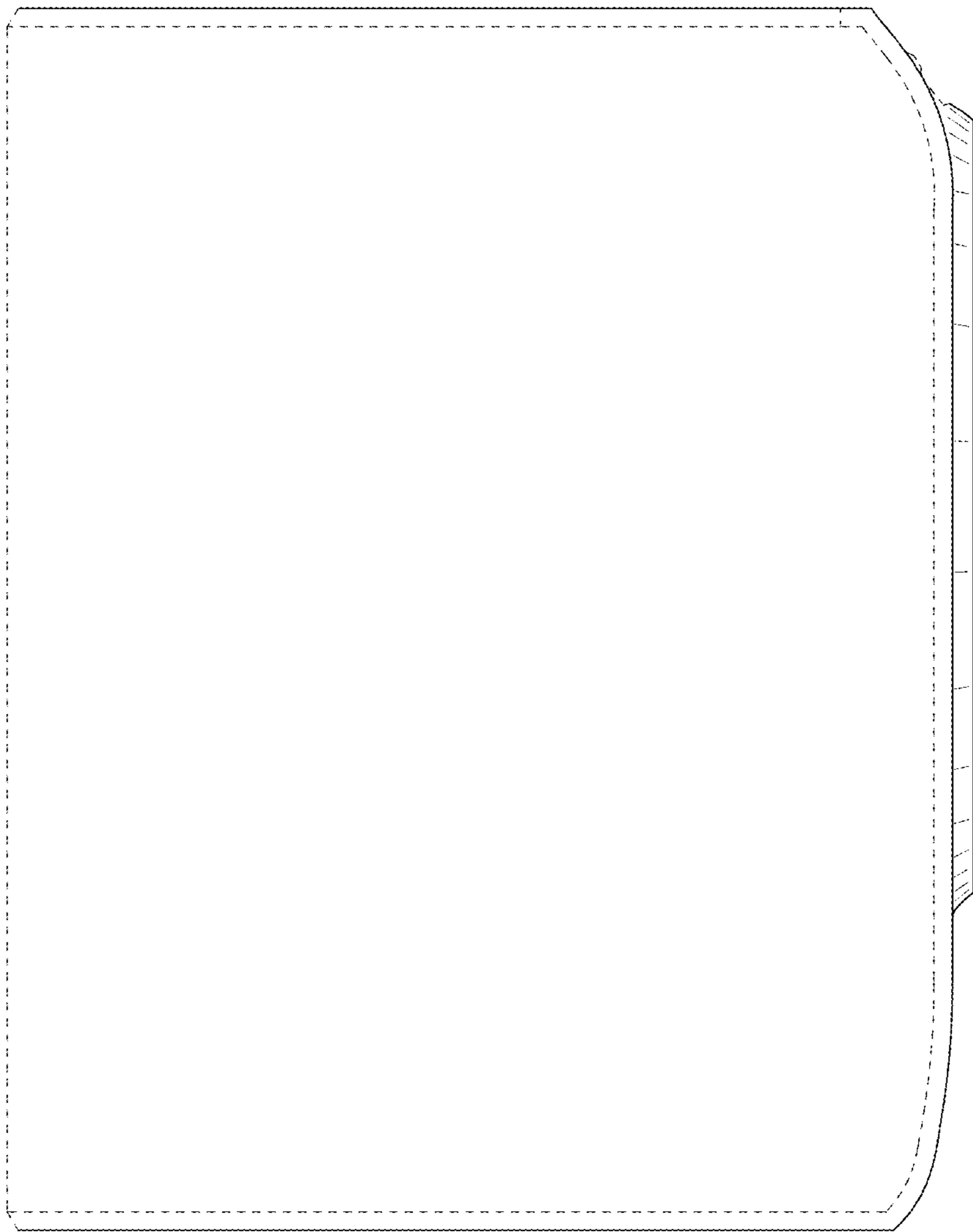


FIG. 5

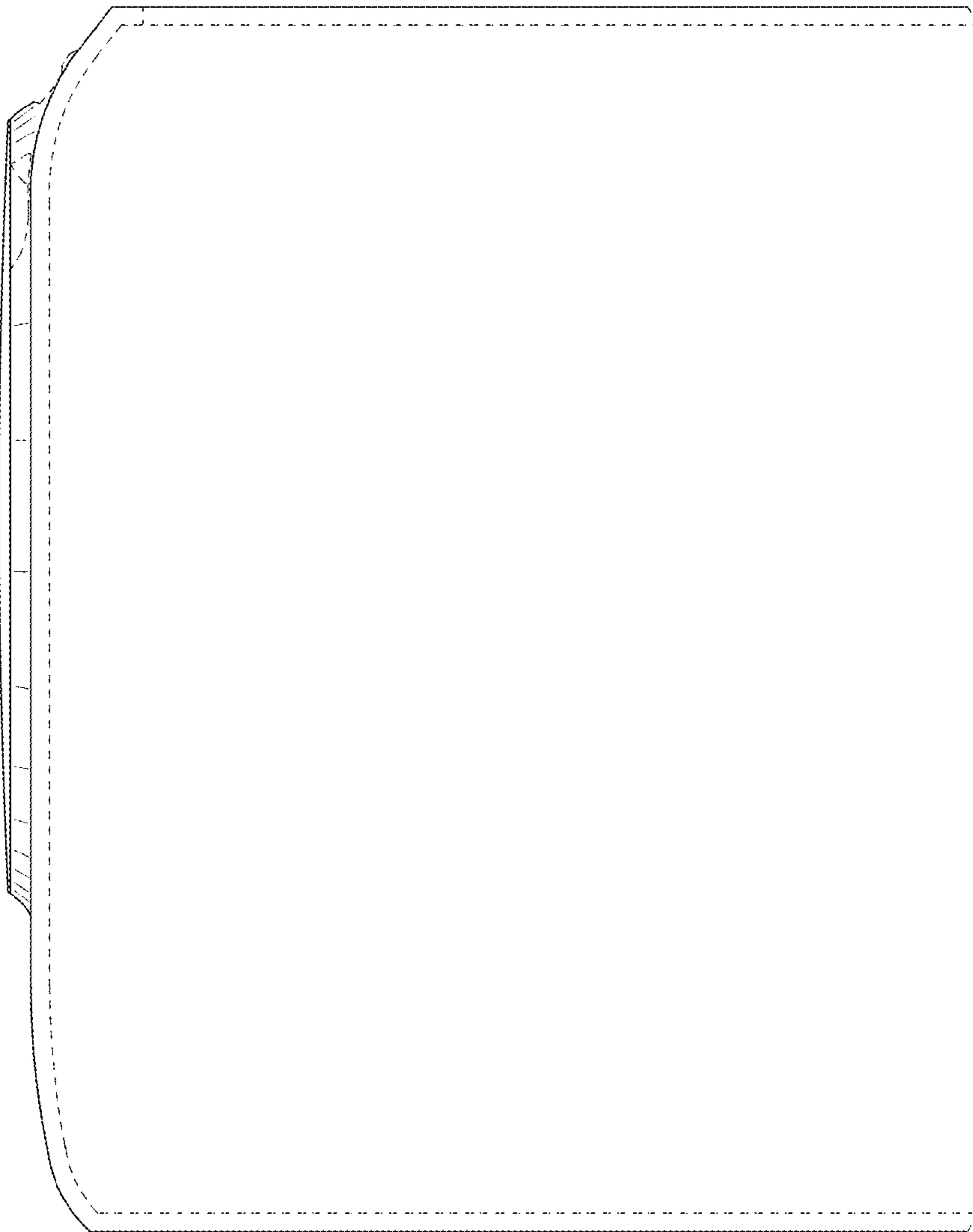


FIG. 6

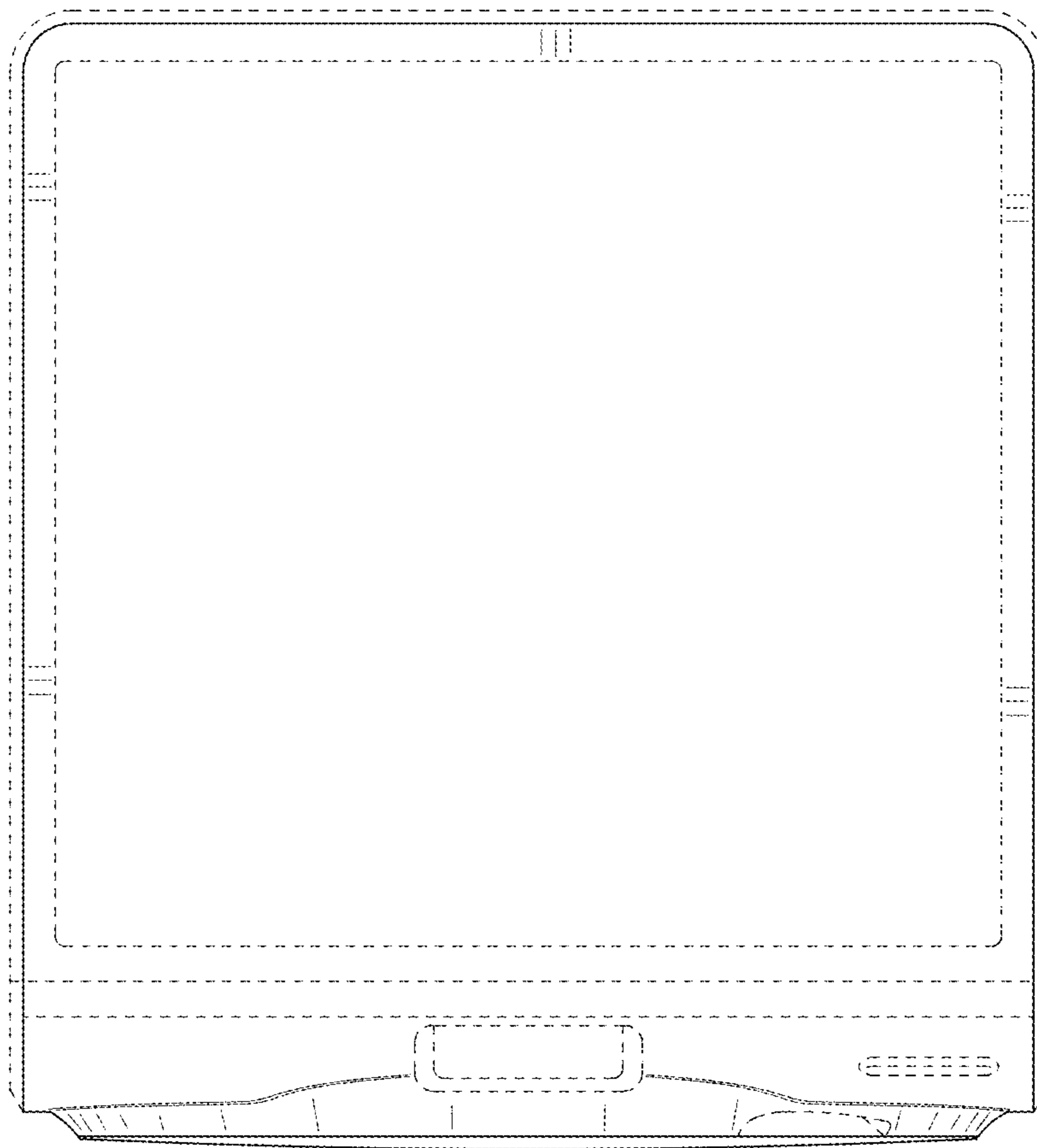




FIG. 7

