



US00D759905S

(12) **United States Design Patent**
Stewart et al.

(10) **Patent No.:** **US D759,905 S**
(45) **Date of Patent:** **** Jun. 21, 2016**

(54) **IN-HOME PET FEEDING AND MONITORING SYSTEM**

(71) Applicant: **PetTrax, Inc.**, Stoughton, MA (US)
(72) Inventors: **William Stewart**, Stoughton, MA (US);
David Cowan, Cornwall Bridge, CT (US); **Joshua Metersky**, Brooklyn, NY (US)
(73) Assignee: **PetTrax, Inc.**, Stoughton, MA (US)
(**) Term: **15 Years**
(21) Appl. No.: **29/528,659**
(22) Filed: **May 29, 2015**

(51) **LOC (10) Cl.** **30-07**
(52) **U.S. Cl.**
USPC **D30/122**

(58) **Field of Classification Search**
USPC D30/121, 122, 129-133; 119/61.5, 119/51.01, 61.56, 51.03, 59, 62, 63, 51.5, 119/57.8, 74, 61.54, 61.55, 53, 53.5, 75, 119/56.2, 51.02, 51.11, 51.12, 57.1, 52.1, 119/515; 312/204; 248/151, 188; 108/156, 108/153.1-157; 220/23.87, 630, 737, 743, 220/9.4, 495.01, 574, 212, 255, 23.83; 206/515; D7/586, 543, 550.1, 587, D7/505, 584, 545, 500, 553.1-553.8, 546, D7/555, 556, 504, 565, 562, 602, 605, 312, D7/313, 320, 307, 306, 309, 354, 311, 399, D7/397, 323, 332, 331, 347, 346, 322, 318, D7/317, 316, 619.1; D9/429; 43/109; D22/122; 99/430, DIG. 15, 280, 285, 99/312; 222/209, 131, 363, 349, 517, 222/153.13, 401, 1, 146.5, 23, 54, 64, 51, 222/156, 399, 400.8; 219/438, 439, 441, 219/385, 386, 402, 407; 210/94, 184, 474, 210/477
CPC A01K 5/02; A01K 5/0225; A01K 5/0114; A01K 5/025; A01K 5/0266; A01K 5/0275; A01K 5/0283; A01K 5/0291; A01K 5/0258; A01K 7/00; G01F 11/24; G01F 23/02; B67D 1/0425; B67D 1/04; B67D 1/00; B67D 1/02; B67D 1/0871; B67D 1/0802; A47J 41/0033; A47J 41/005; A47J 41/0088; A47J 41/0094; A47J 31/04; A47J 31/053; B05B 11/00;

B05B 11/0002; B05B 11/0005; B05B 11/001; C02F 1/003; C02F 1/283; C02F 2307/02
See application file for complete search history.

(56) **References Cited**

U.S. PATENT DOCUMENTS

361,621 A * 4/1887 Ferguson A01K 5/0241 119/54
716,743 A * 12/1902 McHenry et al. A01K 5/0241 119/54

(Continued)

Primary Examiner — Susan Moon Lee

(74) *Attorney, Agent, or Firm* — Wilmer Cutler Pickering Hale and Dorr LLP

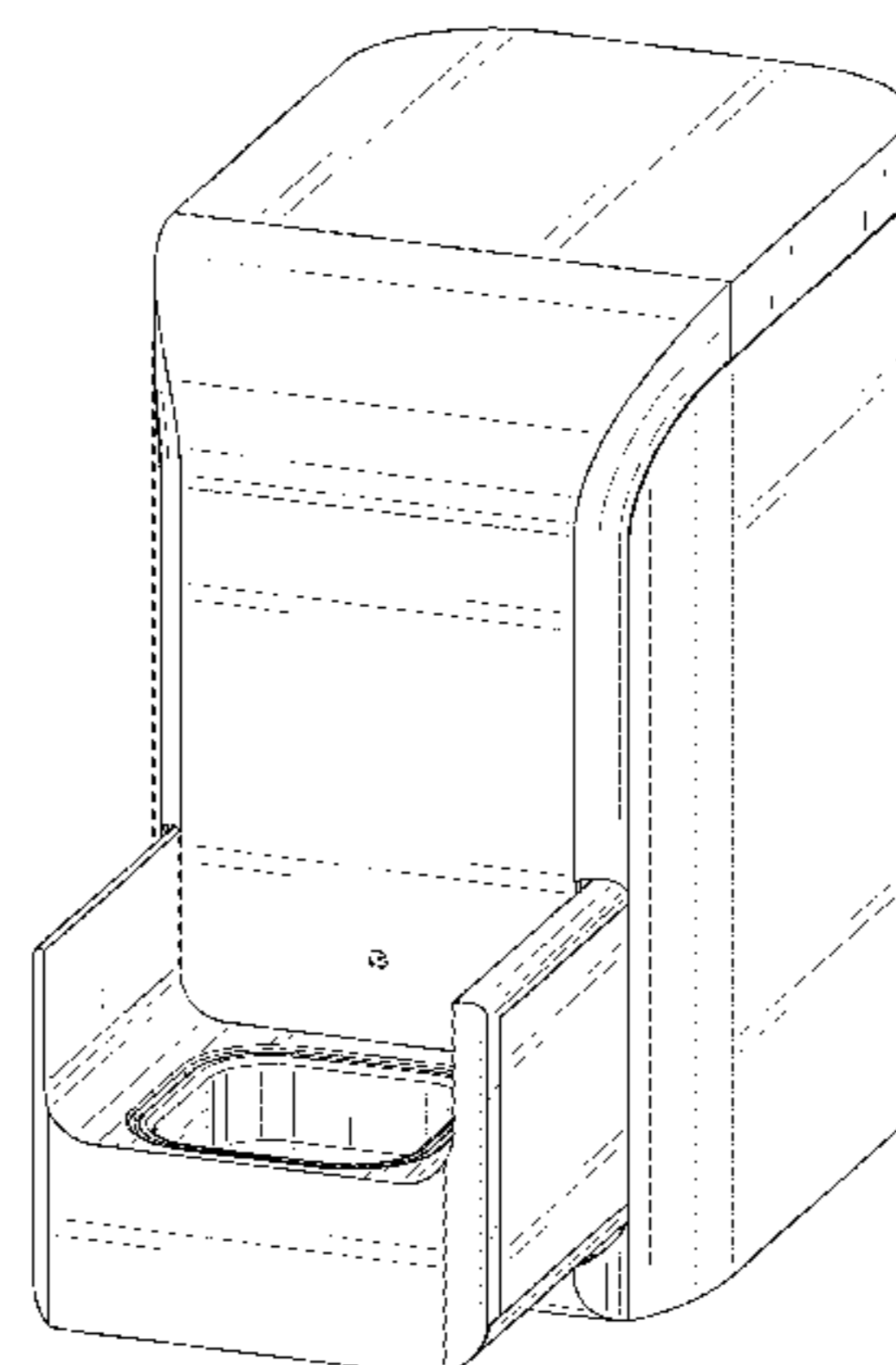
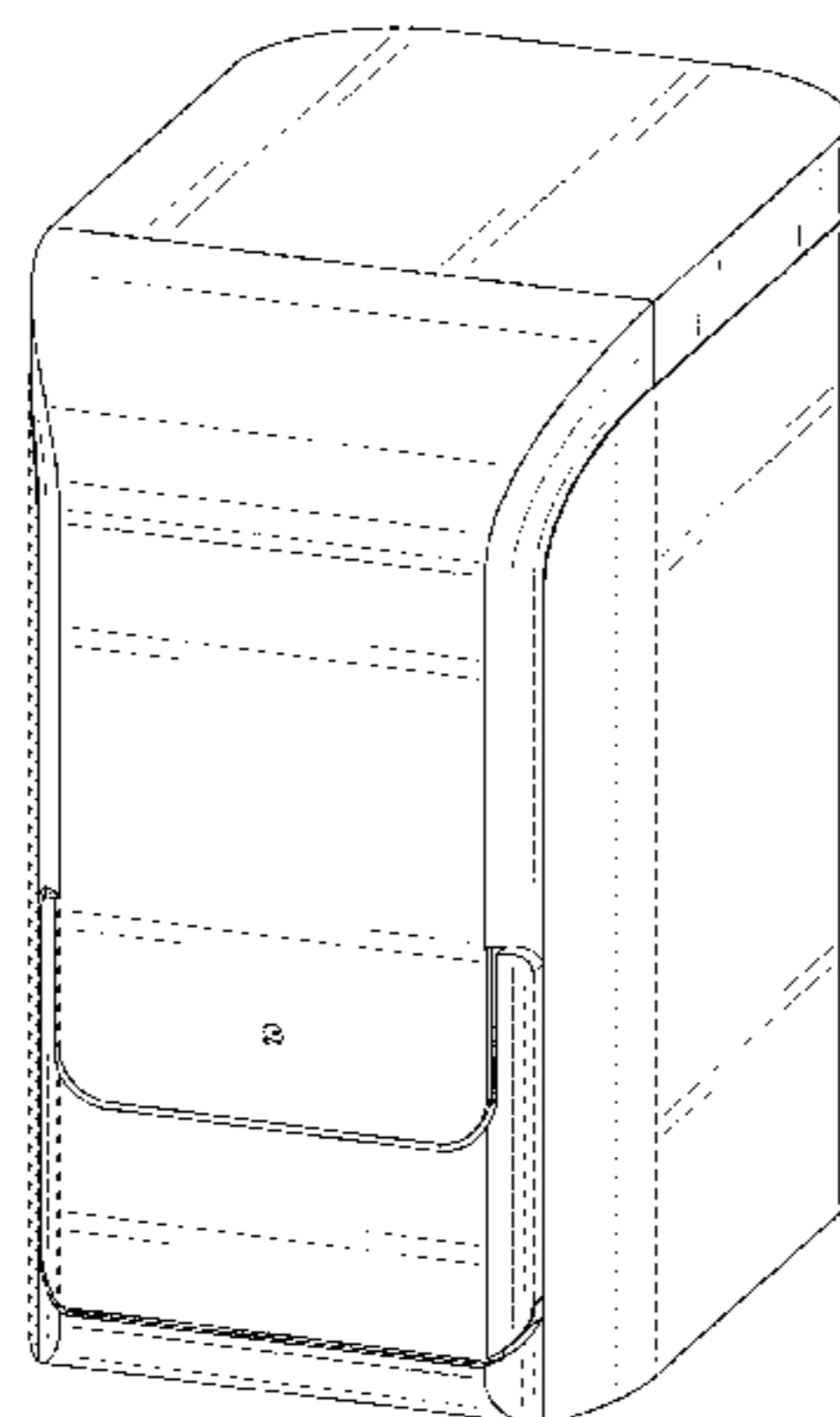
(57) **CLAIM**

The ornamental design for an in-home pet feeding and monitoring system, as shown and described.

DESCRIPTION

FIG. 1 is a top front right side perspective view of the in-home pet feeding and monitoring system with extending drawer closed;
FIG. 2 is a front elevational view thereof;
FIG. 3 is a rear elevational view thereof;
FIG. 4 is a left side elevational view thereof;
FIG. 5 is a right side elevation view thereof;
FIG. 6 is a top plan view thereof;
FIG. 7 is a bottom plan view thereof;
FIG. 8 is a top front right side perspective view of the in-home pet feeding and monitoring system with extending drawer extended;
FIG. 9 is a front elevational view thereof;
FIG. 10 is a rear elevational view thereof;
FIG. 11 is a left side elevational view thereof;
FIG. 12 is a right side elevation view thereof;
FIG. 13 is a top plan view thereof; and,
FIG. 14 is a bottom plan view thereof.
Broken lines and unshaded portions contained within broken lines are not claimed.

1 Claim, 14 Drawing Sheets



(56)

References Cited

U.S. PATENT DOCUMENTS

3,204,608	A *	9/1965	Snitz	A01K 5/0275	119/54	6,196,158	B1 *	3/2001	Yang	A01K 5/0291	119/51.11
D207,166	S *	3/1967	Noble	D30/132		6,227,143	B1 *	5/2001	Papkov	A01K 5/0291	119/51.11
3,340,851	A *	9/1967	Frank	A01K 5/0291	119/51.13	6,427,628	B1 *	8/2002	Reece	A01K 5/0291	119/51.11
3,720,184	A *	3/1973	Pearce	A01K 5/0225	119/51.5	6,487,987	B1 *	12/2002	Choi	A01K 5/0291	119/51.11
3,730,141	A *	5/1973	Manning	A01K 5/0114	119/51.5	6,681,718	B1 *	1/2004	McIlarky	A01K 5/0291	119/51.11
3,985,104	A *	10/1976	Klemer	A01K 5/0291	119/51.12	6,701,866	B1 *	3/2004	Shieh	A01K 5/0291	119/51.11
4,034,715	A *	7/1977	Arner	A01K 5/0114	119/51.5	6,843,205	B1 *	1/2005	Segreto	A01K 5/0114	119/515
4,079,699	A *	3/1978	Longmore	A01K 5/0291	119/51.11	7,051,675	B1 *	5/2006	Mayer	A01K 5/0291	119/51.11
4,256,054	A *	3/1981	Hitchcock	A01K 5/0291	119/51.11	7,143,719	B1 *	12/2006	Giddens	A01K 5/0114	119/51.01
D259,068	S *	4/1981	Barkman	D30/131		7,146,930	B1 *	12/2006	Ness	A01K 7/02	119/72
4,279,221	A *	7/1981	Arvizu	A01K 5/0291	119/51.11	7,409,923	B2 *	8/2008	Park	A01K 5/0114	119/61.53
4,303,039	A *	12/1981	Thibault	A01K 5/0225	119/52.1	7,874,265	B1 *	1/2011	Addleman	A01K 5/025	119/59
D278,169	S *	3/1985	Cargile, Jr.	D30/124		7,895,973	B1 *	3/2011	Whelan	A01K 5/025	119/51.02
4,688,520	A *	8/1987	Parks	A01K 5/0291	119/51.11	7,913,647	B1 *	3/2011	Martin	A01K 5/0114	119/52.1
4,721,063	A *	1/1988	Atchley	A01K 5/0114	119/52.1	D649,826	S *	12/2011	Garman	D7/306	
4,722,300	A *	2/1988	Walker	A01K 5/0291	119/51.11	D699,400	S *	2/2014	Itzhak-Sigron	D30/121	
4,733,634	A *	3/1988	Hooser	A01K 5/0291	119/51.12	D720,895	S *	1/2015	Yates	D30/121	
4,735,171	A *	4/1988	Essex	A01K 5/0291	119/51.12	2002/0073926	A1 *	6/2002	Ness	A01K 5/0114	119/72
4,932,361	A *	6/1990	Deutsch	A01K 5/0291	119/51.12	2002/0096120	A1 *	7/2002	Busha	A01K 5/0291	119/51.5
4,947,796	A *	8/1990	Robinette	A01K 5/0216	119/51.5	2006/0196433	A1 *	9/2006	Ness	A01K 5/0114	119/52.1
5,016,572	A *	5/1991	Weber	A01K 39/012	119/52.1	2007/0000445	A1 *	1/2007	Blais	A01K 5/0291	119/56.1
D335,939	S *	5/1993	Cooper	D30/122		2009/0064938	A1 *	3/2009	Or	A01K 5/0291	119/51.5
D350,841	S *	9/1994	VanSkiver	D30/121		2010/0132629	A1 *	6/2010	Jalbert	A01K 1/0107	119/720
5,351,649	A *	10/1994	Rovira Badia	A01K 5/0225	119/53.5	2011/0139076	A1 *	6/2011	Pu	A01K 5/0114	119/51.02
5,433,171	A *	7/1995	Ewell	A01K 5/0291	119/51.5	2011/0197819	A1 *	8/2011	Montgomery	A01K 5/0225	119/51.11
D364,942	S *	12/1995	VanSkiver	D30/121		2011/0297090	A1 *	12/2011	Chamberlain	A01K 5/0291	119/51.02
5,673,811	A *	10/1997	Dickinson	B65D 43/02	220/345.4	2013/0098298	A1 *	4/2013	Manickchan	A01K 5/0275	119/51.11
5,794,560	A *	8/1998	Terenzi	A01K 5/0291	119/51.11	2013/0333622	A1 *	12/2013	Jin	A01K 5/0291	119/51.01
5,794,565	A *	8/1998	Beshah	A01K 5/0135	119/61.54	2014/0277701	A1 *	9/2014	Martin	A01K 5/0114	700/231
D405,560	S *	2/1999	Chrisco	D30/121		2015/0068463	A1 *	3/2015	Worry	A01K 5/0114	119/57.1
6,044,795	A *	4/2000	Matsuura	A01K 5/02	119/51.02	2015/0143750	A1 *	5/2015	Jalbert	E06B 7/32	49/25
6,135,056	A *	10/2000	Kuo	A01K 5/0291	119/51.11	2015/0164044	A1 *	6/2015	Powers	A01K 5/0225	119/61.5
6,142,099	A *	11/2000	Lange, Jr.	A01K 5/0142	119/51.5							

* cited by examiner

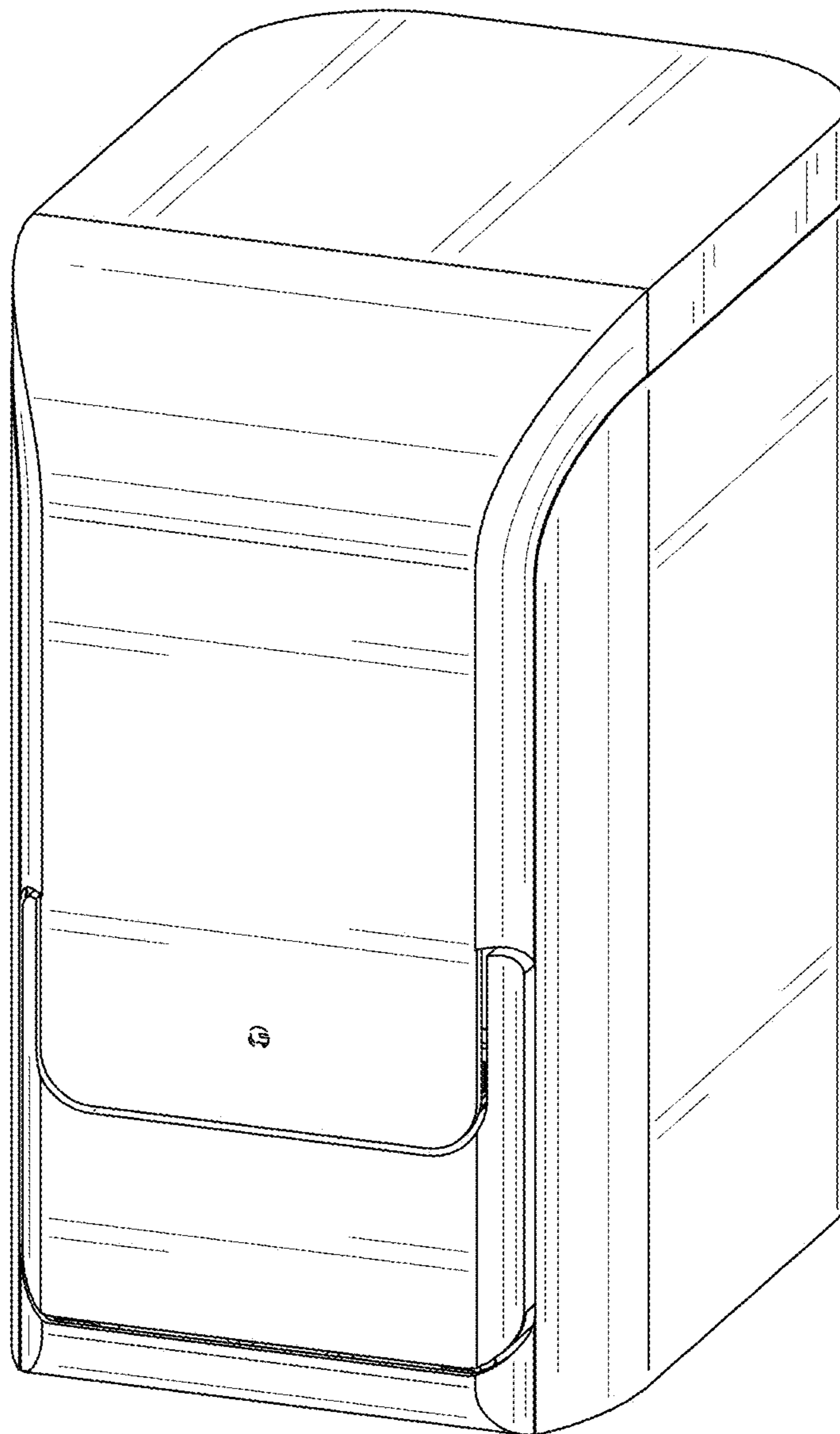


FIG. 1

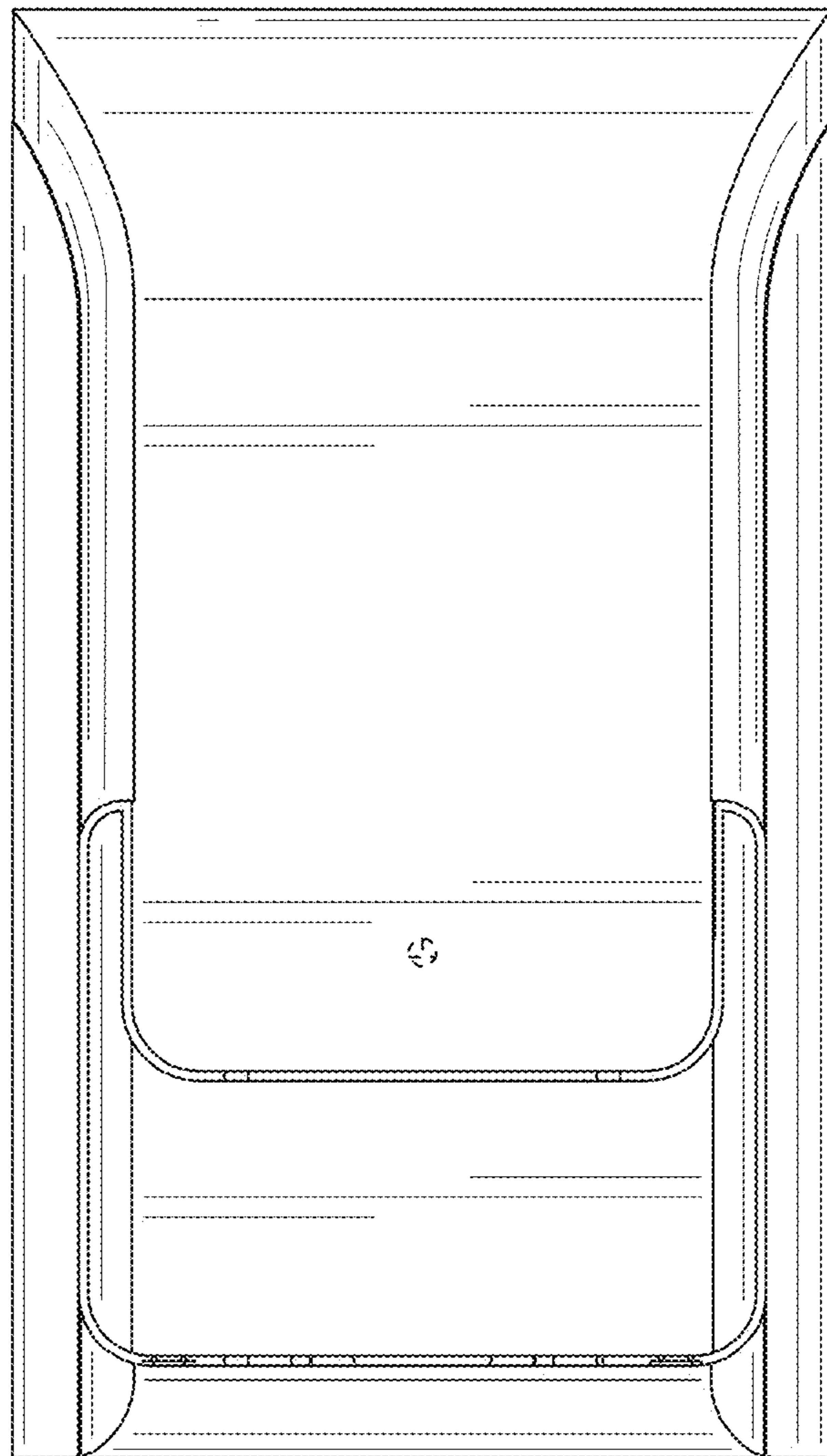


FIG. 2

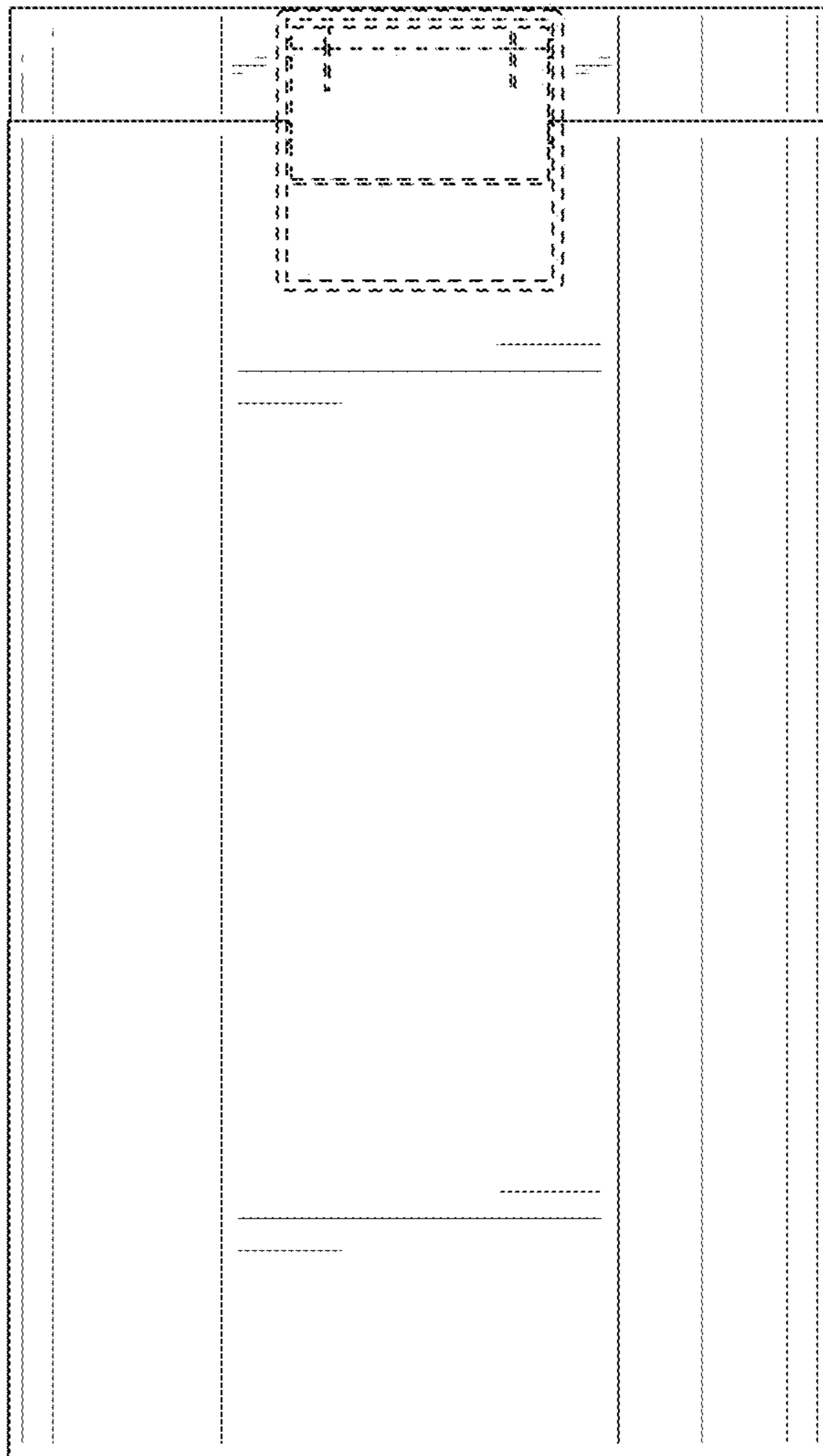


FIG. 3

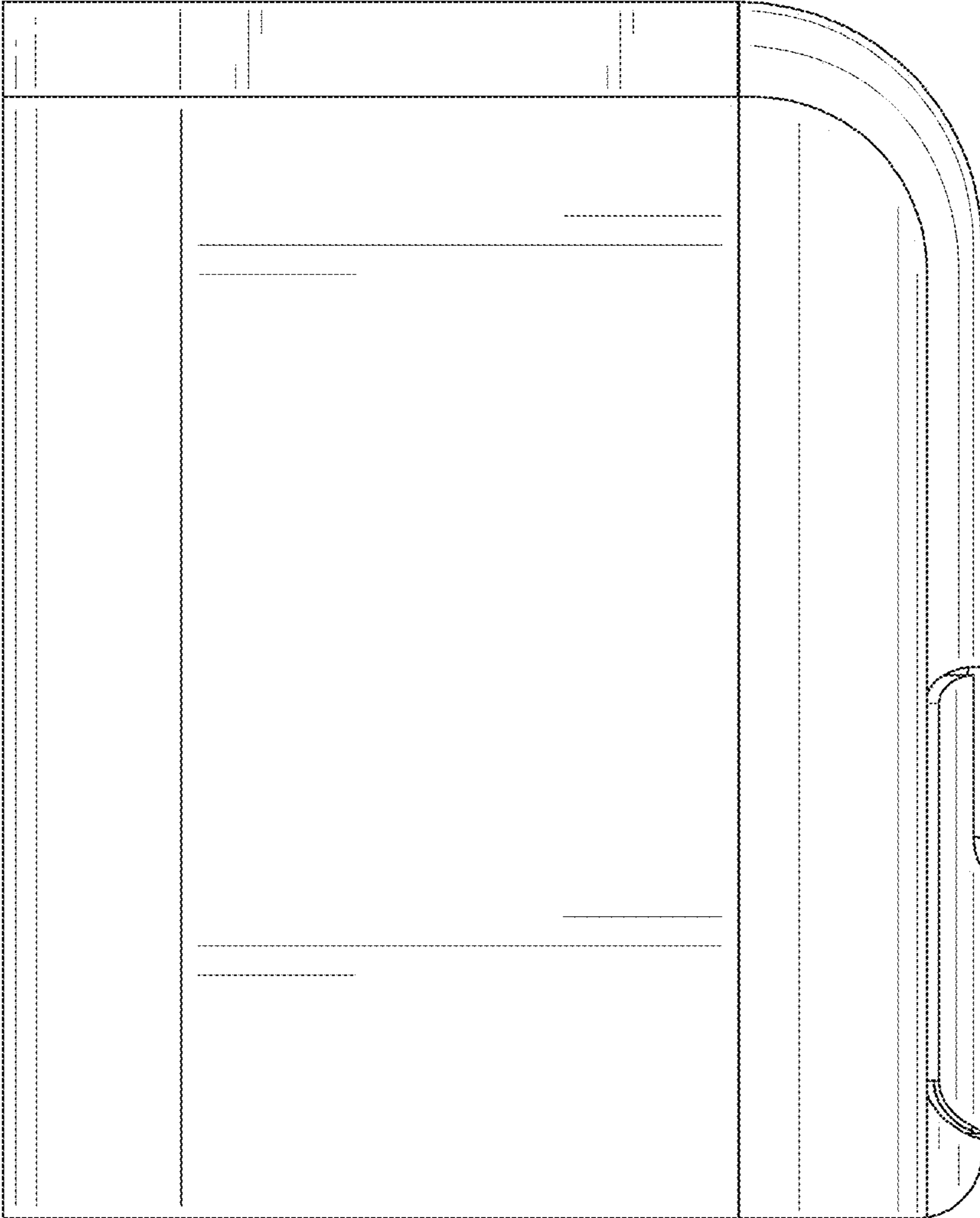


FIG. 4

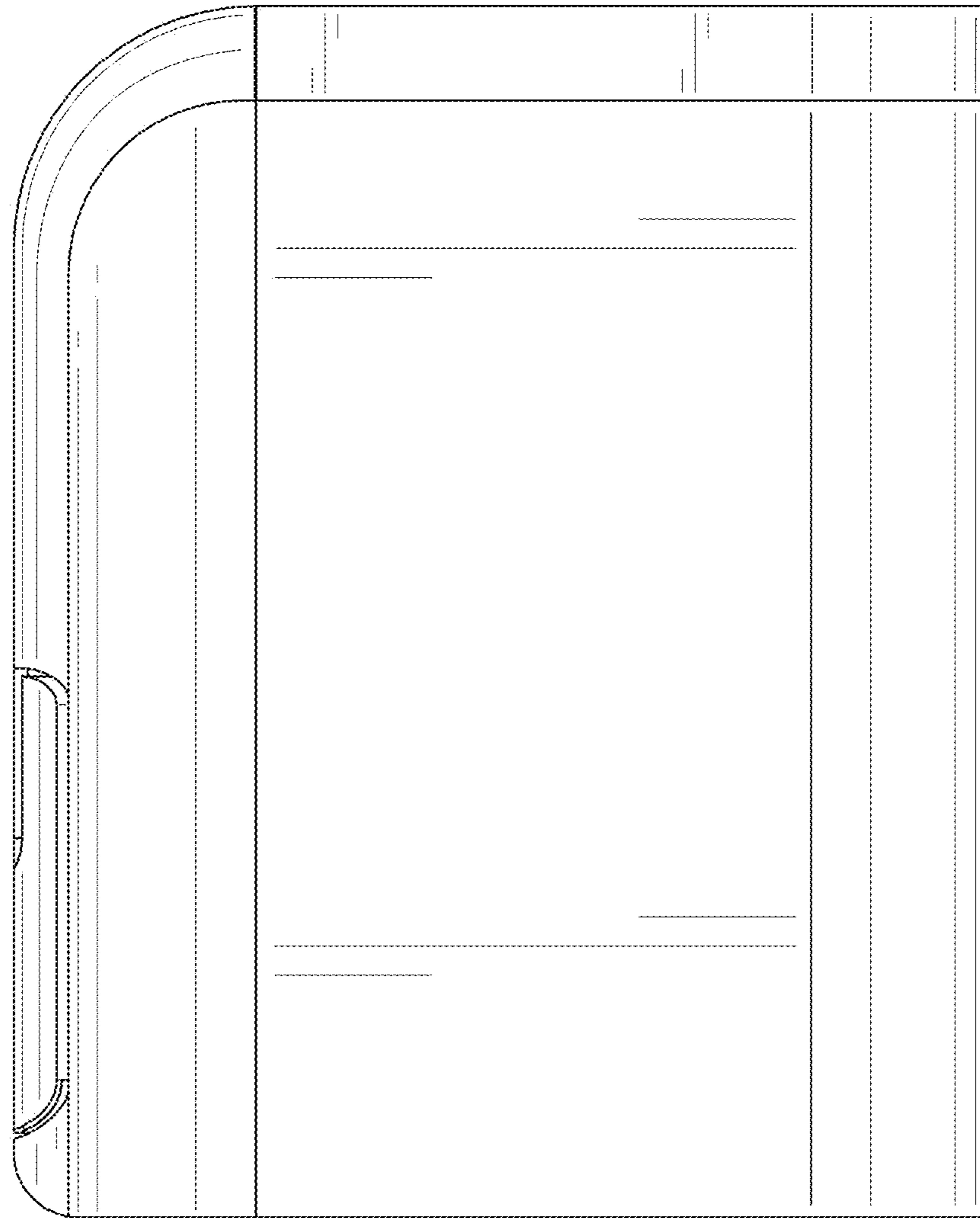


FIG. 5

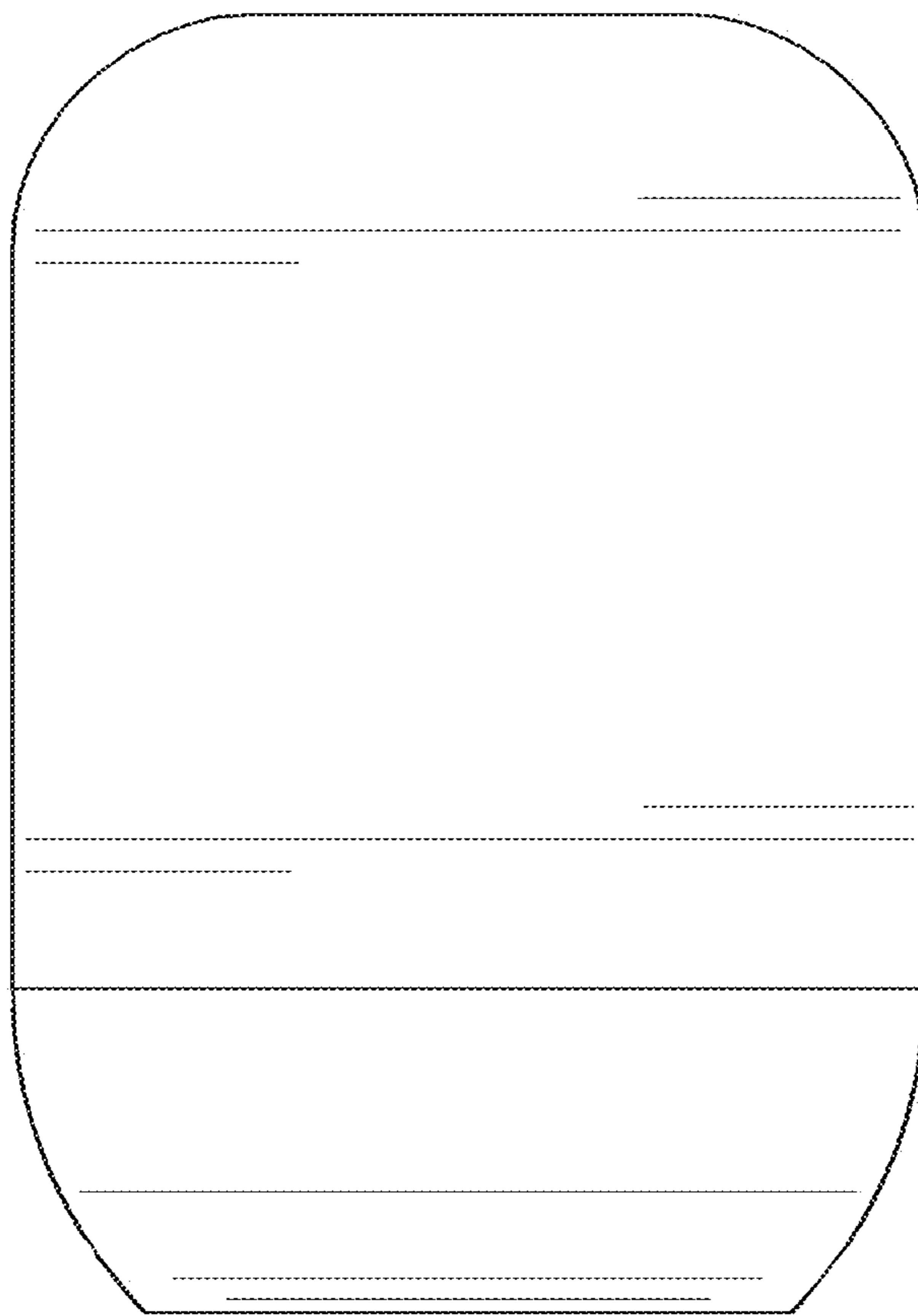


FIG. 6

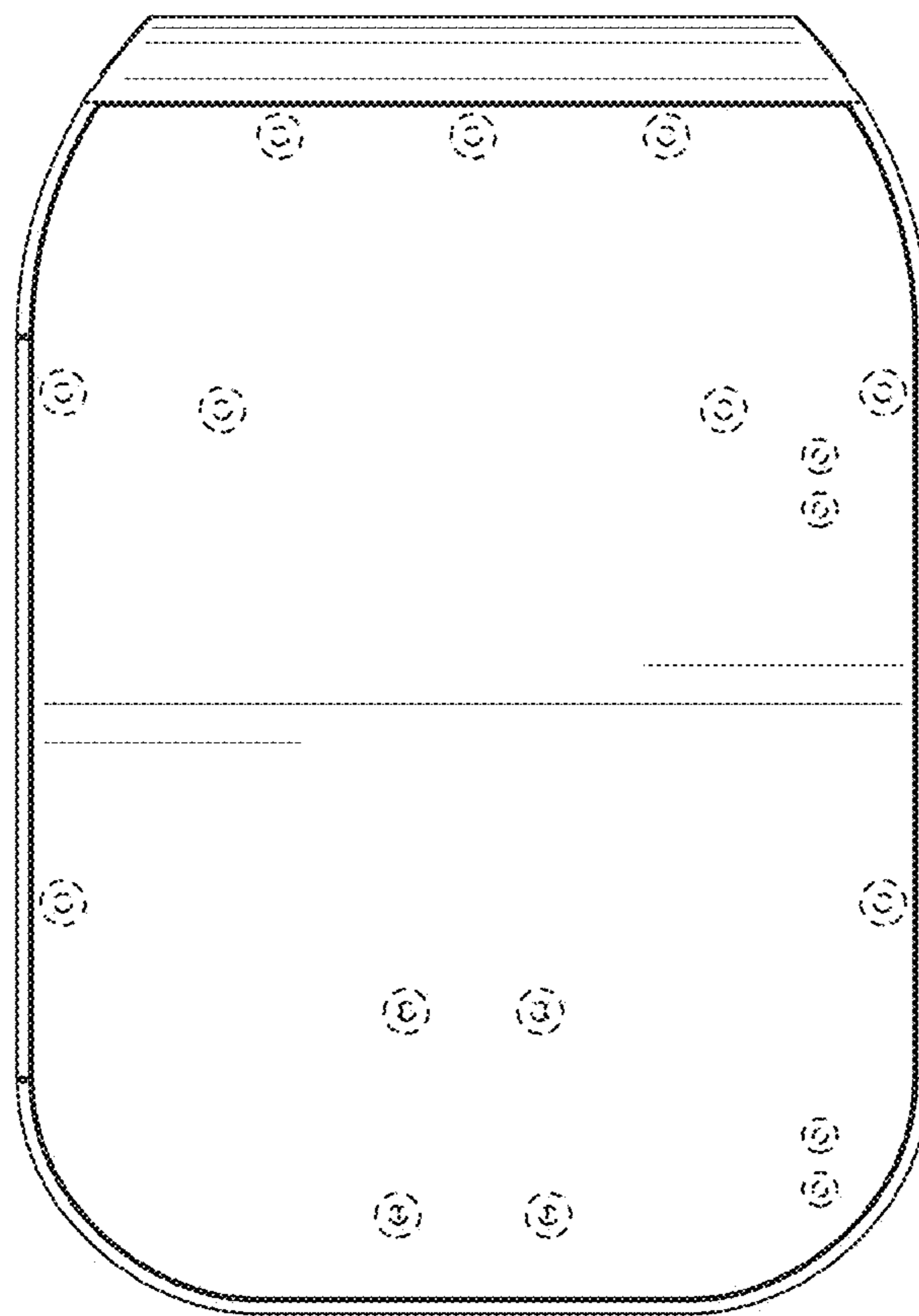


FIG. 7

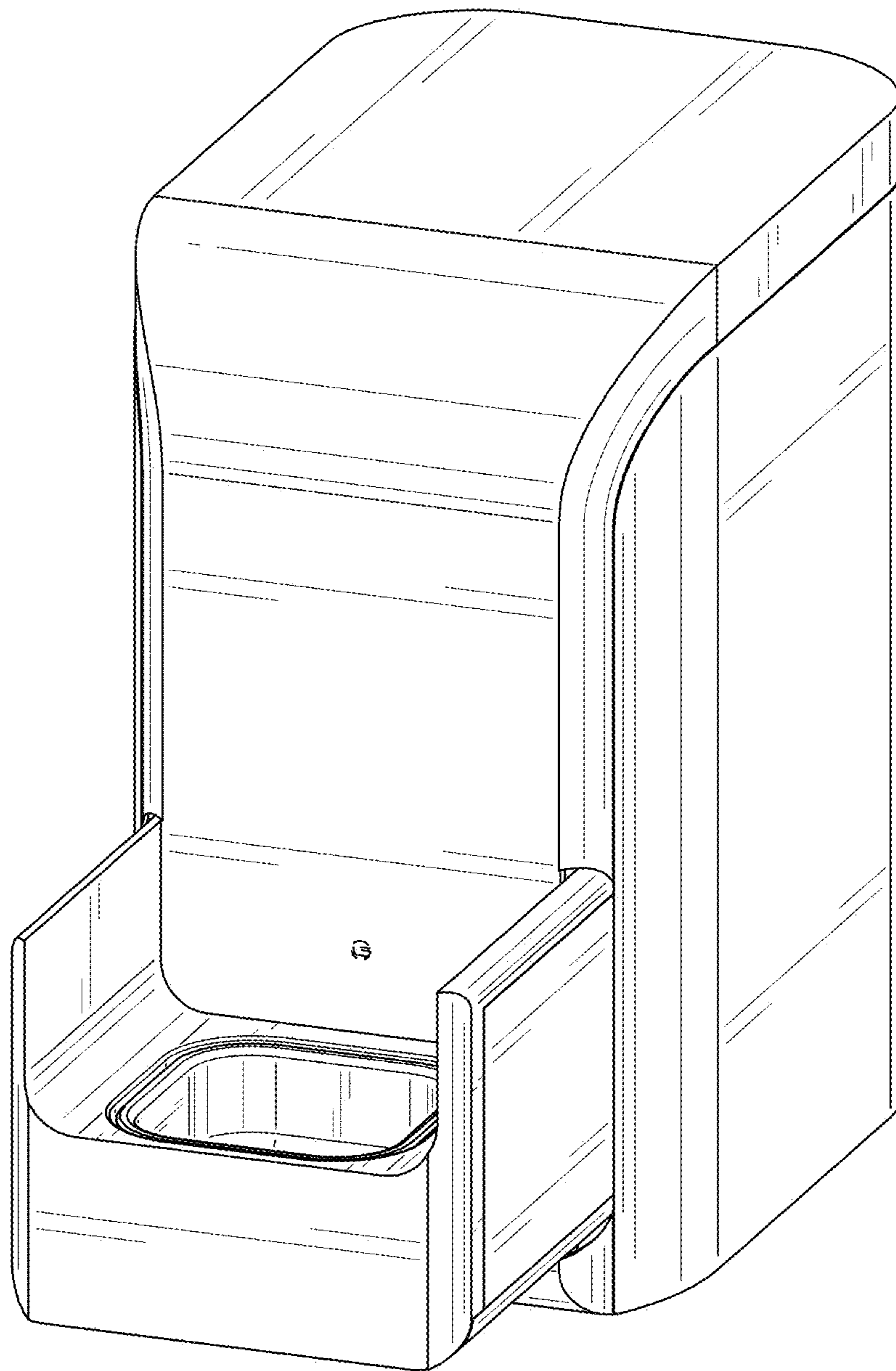


FIG. 8

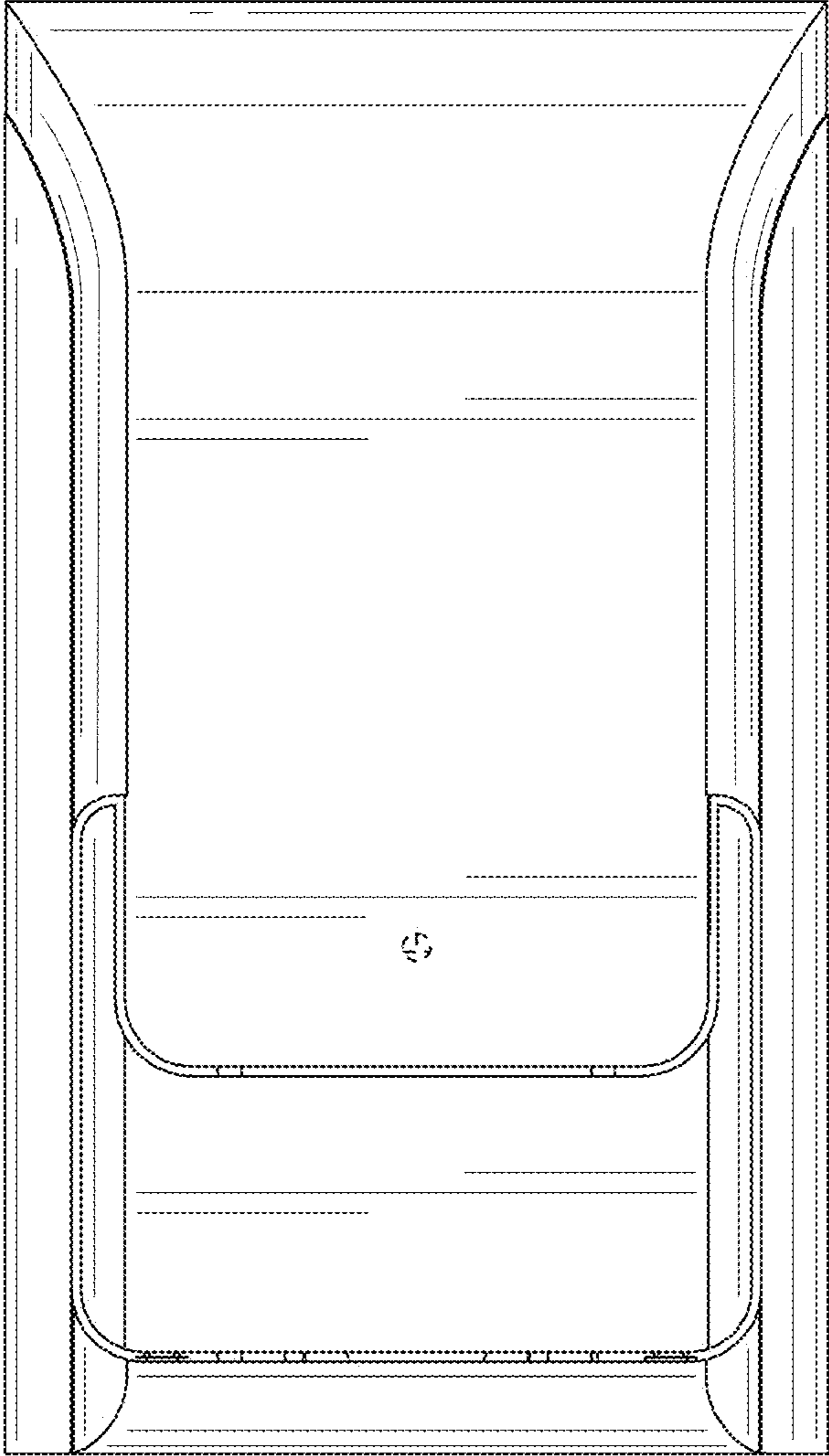


FIG. 9

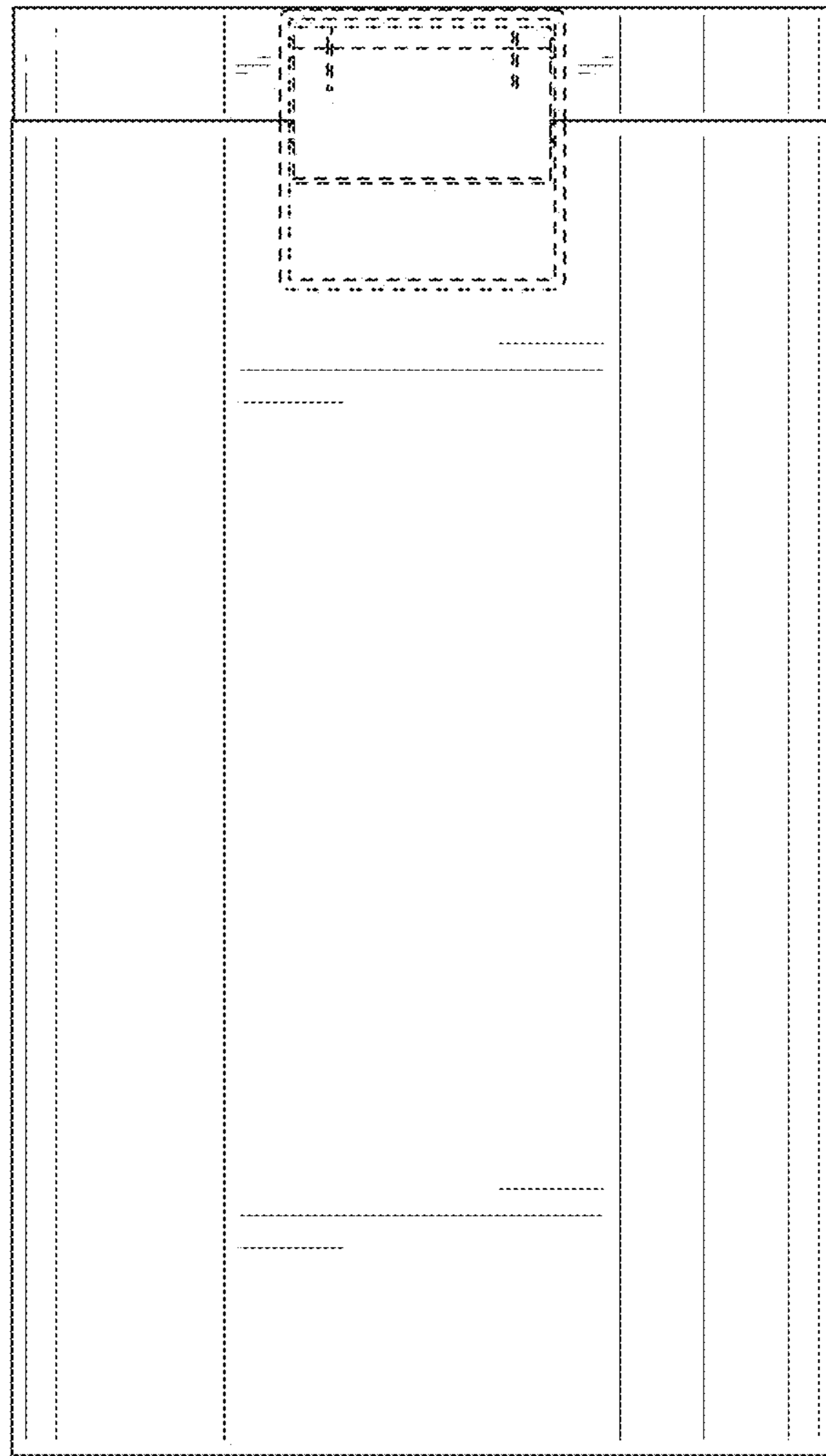


FIG. 10

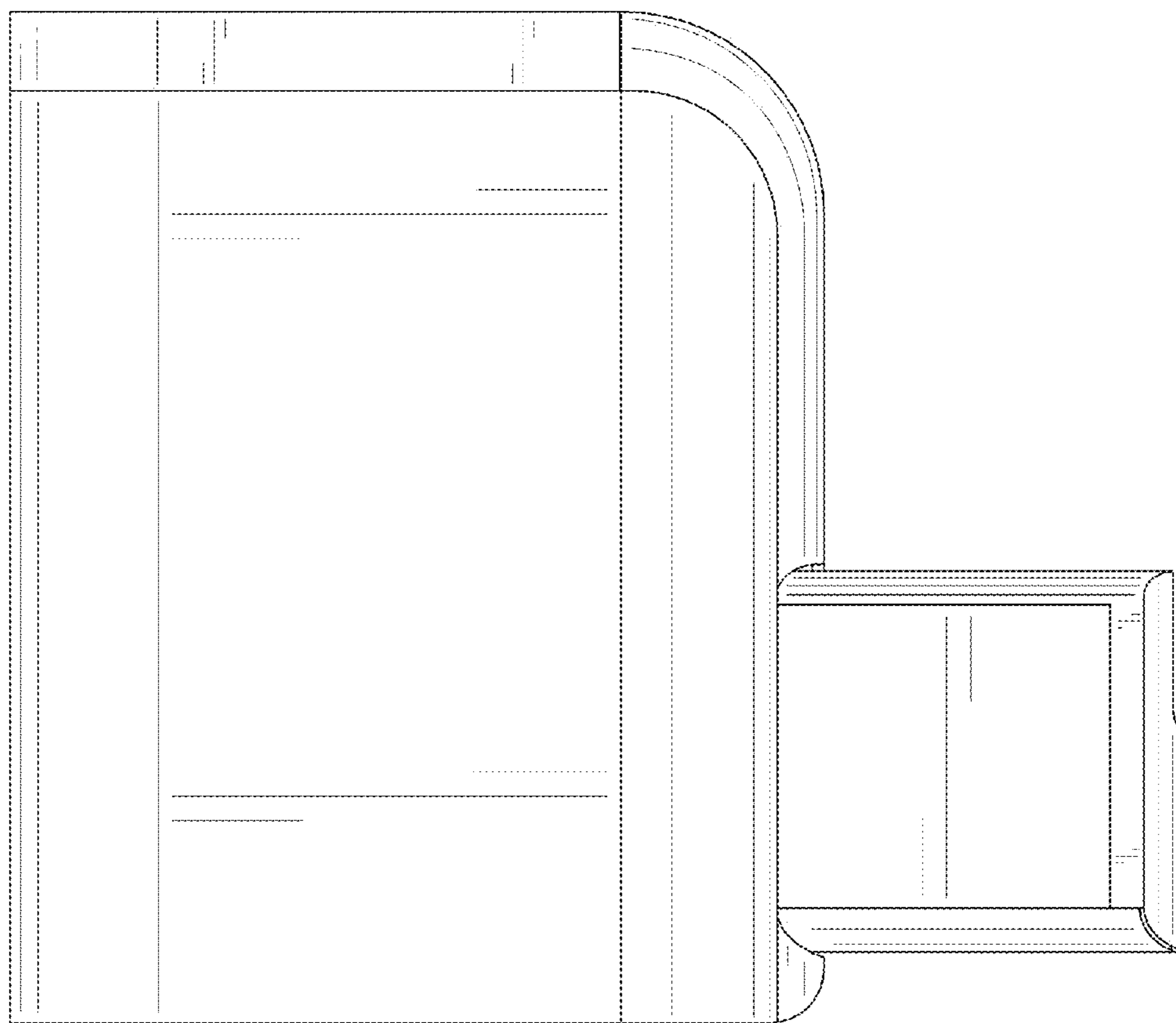


FIG. 11

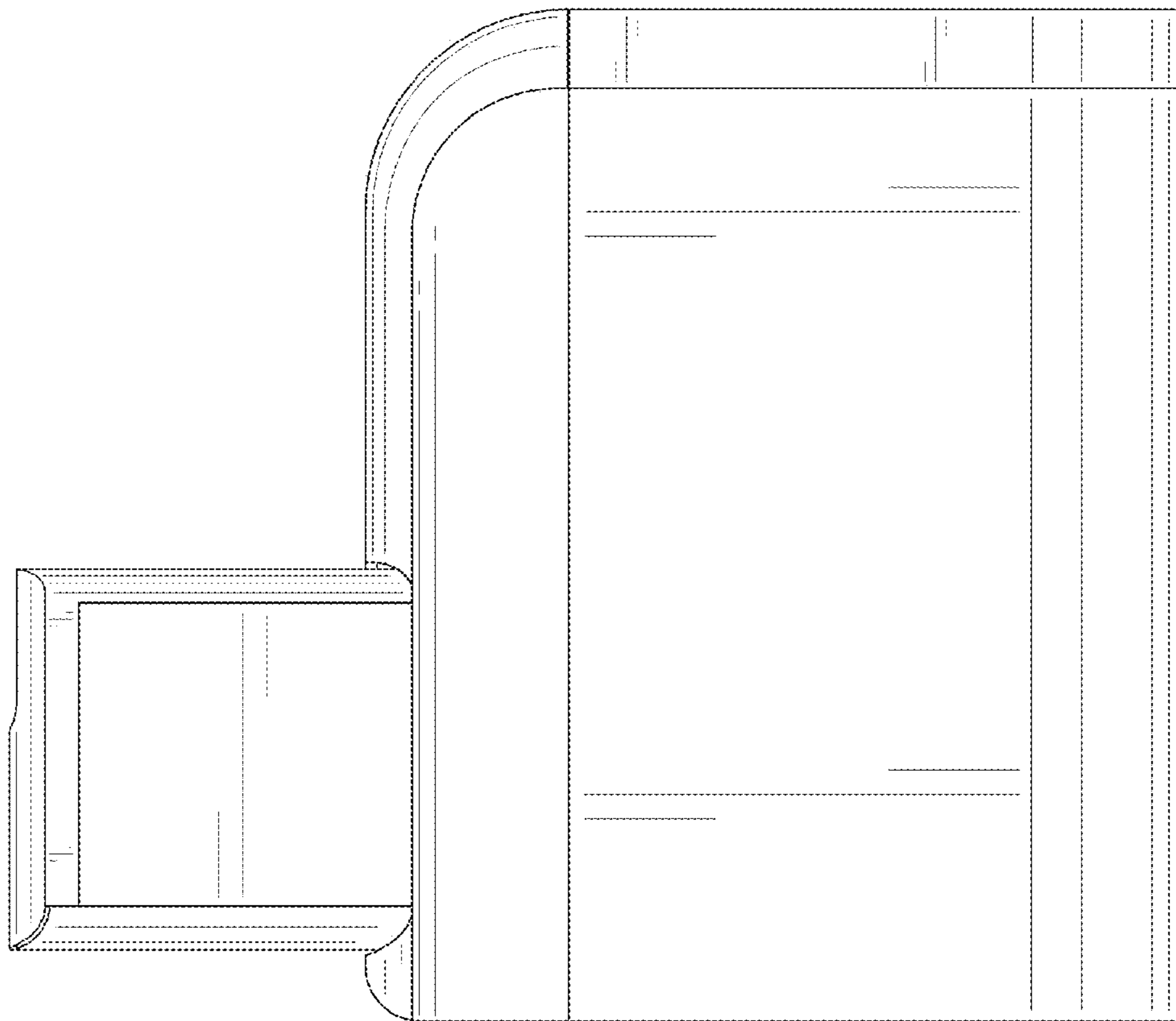


FIG. 12

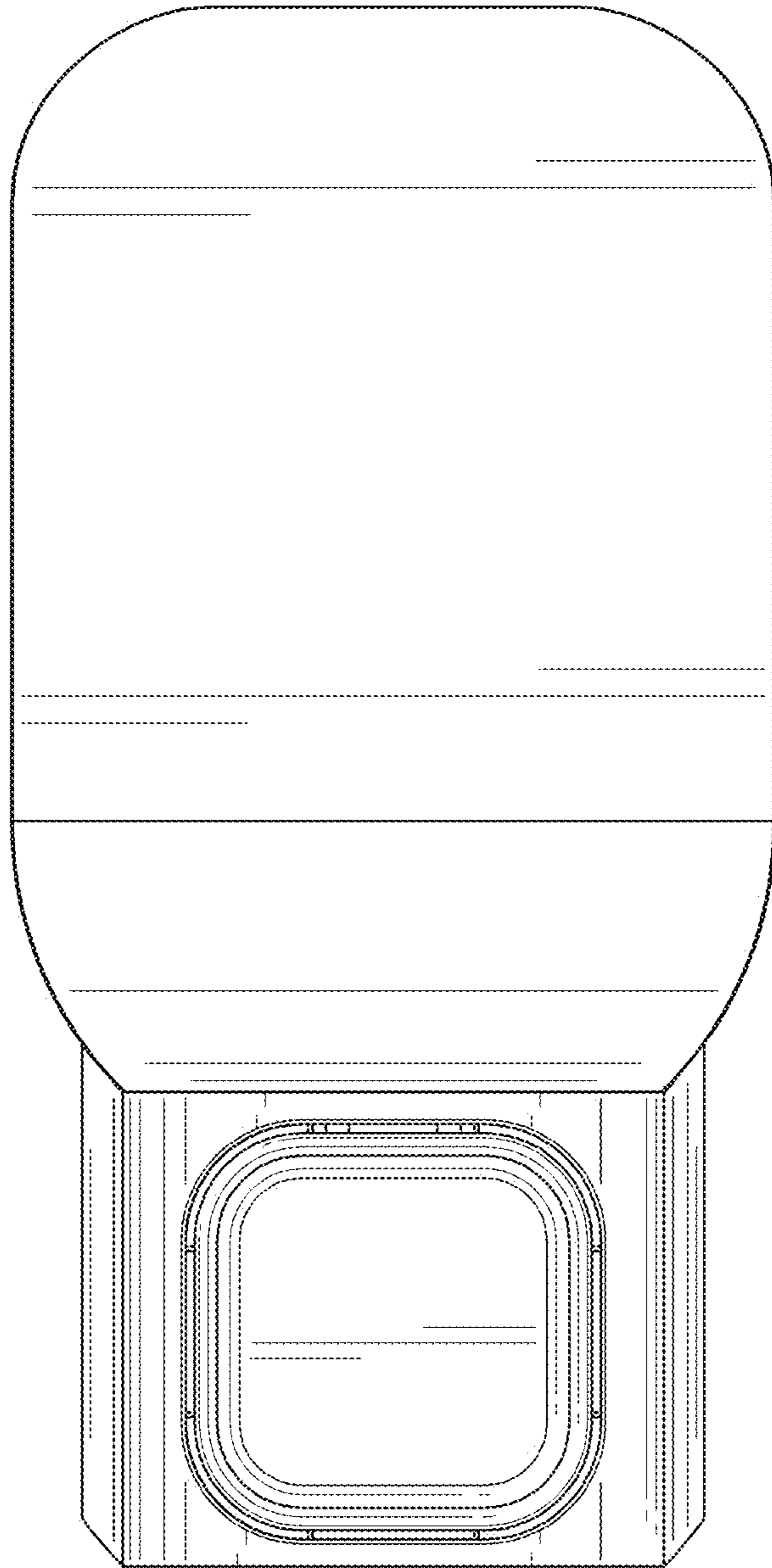


FIG. 13

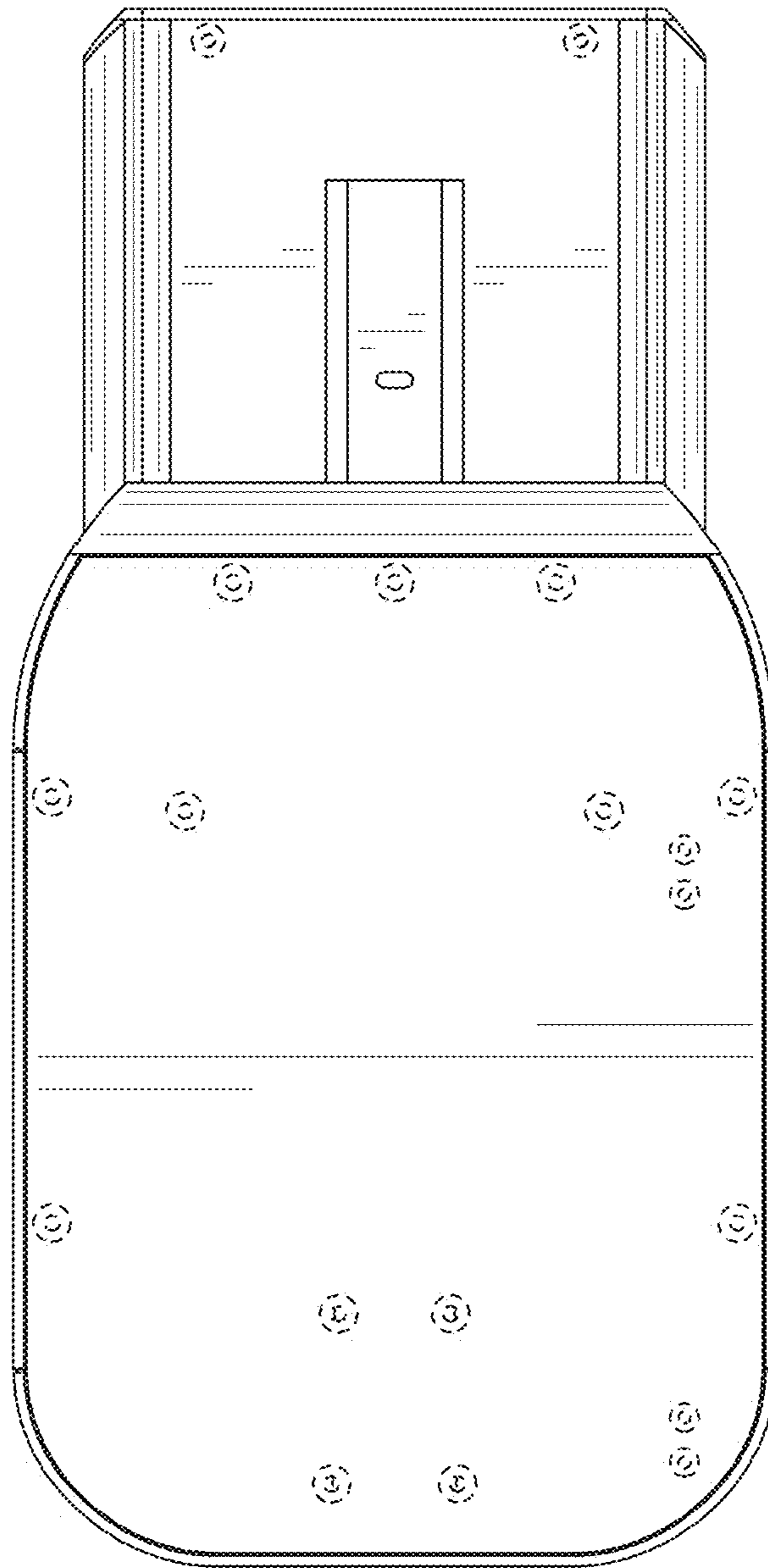


FIG. 14