



US00D759904S

(12) **United States Design Patent**
Cantwell et al.

(10) **Patent No.:** **US D759,904 S**
(45) **Date of Patent:** **** Jun. 21, 2016**

(54) **ANIMAL BED**

(71) Applicant: **Mid-West Metal Products Co., Inc.**,
Muncie, IN (US)

(72) Inventors: **Brad Cantwell**, Muncie, IN (US);
Michael E. Greene, Muncie, IN (US);
Terrance L. Jones, Muncie, IN (US);
Stew Kerr, Muncie, IN (US)

(73) Assignee: **Mid-West Metal Products Co., Inc.**,
Muncie, IN (US)

(**) Term: **14 Years**

(21) Appl. No.: **29/468,293**

(22) Filed: **Sep. 27, 2013**

(51) **LOC (10) Cl.** **30-06**

(52) **U.S. Cl.**
USPC **D30/118; D6/390; D6/596**

(58) **Field of Classification Search**
USPC D30/118; D6/333–334, 349, 381–384,
D6/388, 595–596, 598, 604, 601;
119/28.5; 5/496–498
See application file for complete search history.

(56) **References Cited**

U.S. PATENT DOCUMENTS

1,841,410	A *	1/1932	Karr	5/498
2,491,894	A *	12/1949	Fox	273/309
3,425,071	A *	2/1969	Frieder et al.	441/40
4,788,726	A *	12/1988	Rafalko	5/93.1
D310,243	S *	8/1990	Evenson	D19/75
5,005,702	A *	4/1991	Davis et al.	D6/604

D317,994	S *	7/1991	Collins	D6/605
D357,589	S *	4/1995	Langhammer et al.	D6/333
5,479,664	A *	1/1996	Hollander	5/497
5,784,995	A *	7/1998	Willinger	119/28.5
6,102,759	A *	8/2000	Klimenko	441/40
D433,543	S *	11/2000	Fiore et al.	D30/118
6,237,531	B1 *	5/2001	Peeples et al.	119/28.5
6,442,962	B1 *	9/2002	Gaetke et al.	62/457.6
D486,877	S *	2/2004	Peterson	D21/809
7,698,758	B2 *	4/2010	Wootten, Jr.	5/497
D661,844	S *	6/2012	Song	D30/118
D664,303	S *	7/2012	Chauncey et al.	D30/118
8,438,679	B2 *	5/2013	Wootten, Jr.	5/497

* cited by examiner

Primary Examiner — Cathy Anne MacCormac

(74) *Attorney, Agent, or Firm* — Taft Stettinius & Hollister
LLP; Stephen F. Rost

(57) **CLAIM**

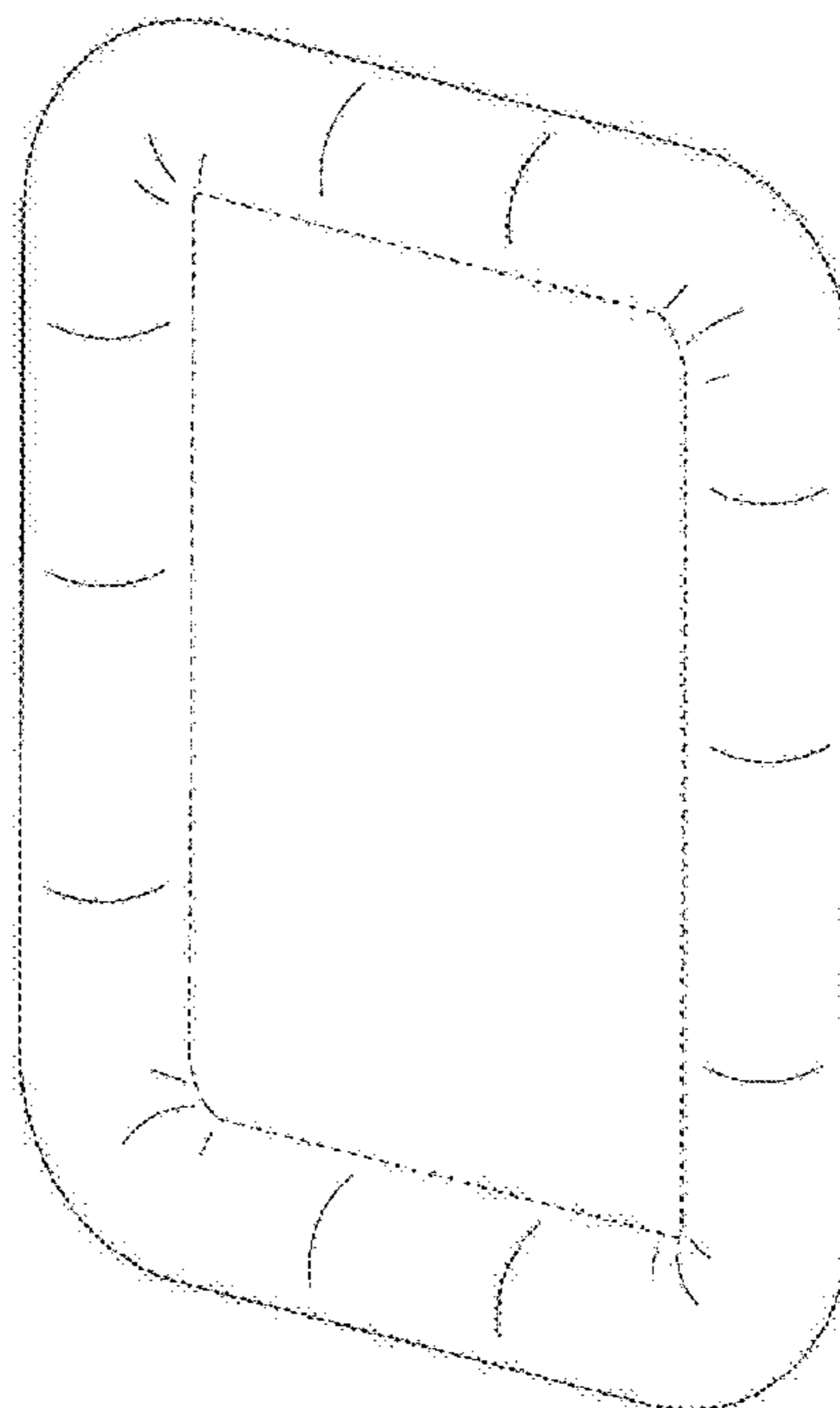
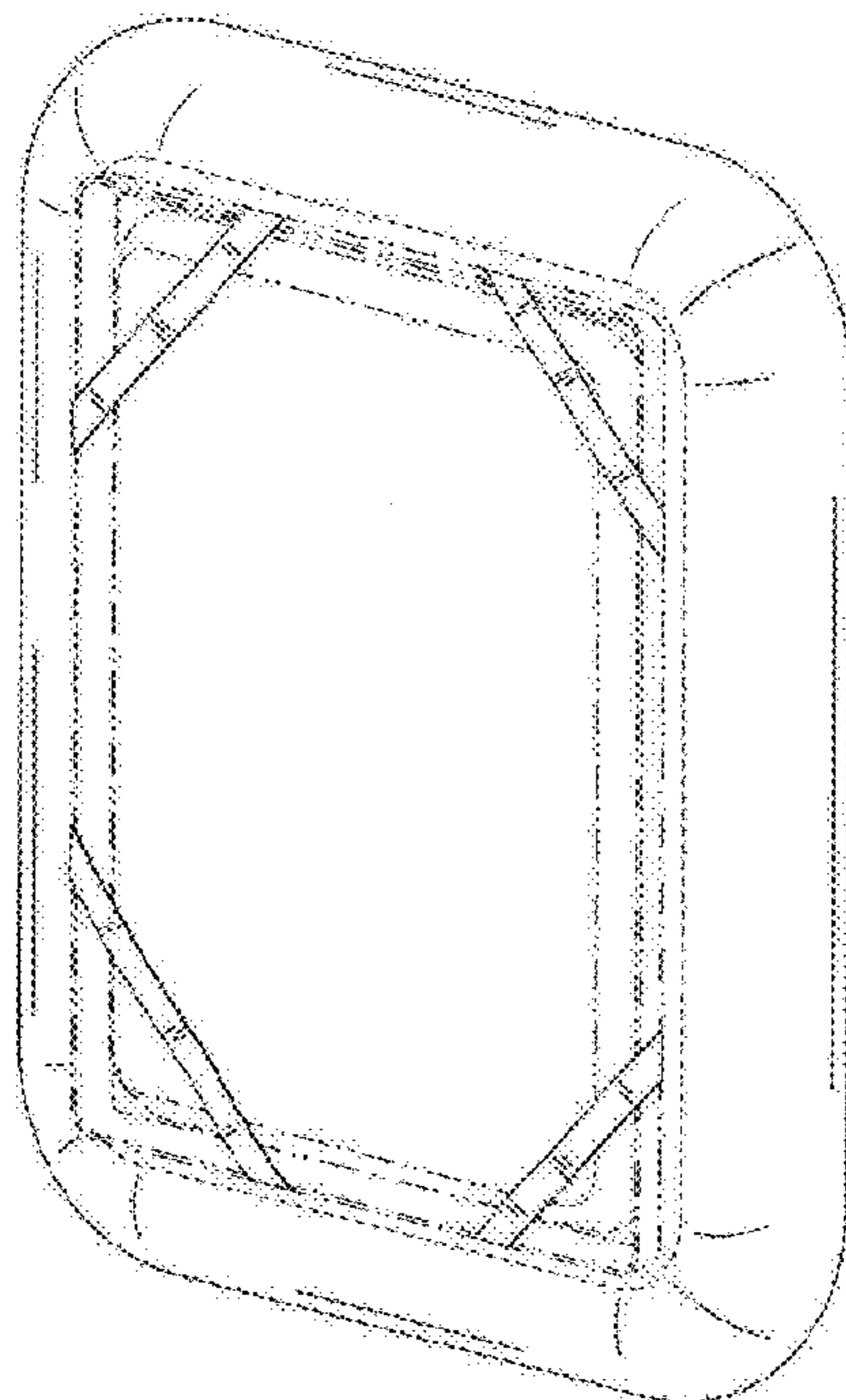
The ornamental design for an animal bed, as shown and described.

DESCRIPTION

FIG. 1 is a bottom perspective view of an animal bed that illustrates the novel design;
FIG. 2 is a top perspective view thereof;
FIG. 3 is a bottom view thereof;
FIG. 4 is a front elevational view thereof;
FIG. 5 is a rear elevational view thereof;
FIG. 6 is a left side view thereof;
FIG. 7 is a right side view thereof; and,
FIG. 8 is a top view thereof.

The broken lines are for illustration only and form not part of the claimed design.

1 Claim, 5 Drawing Sheets



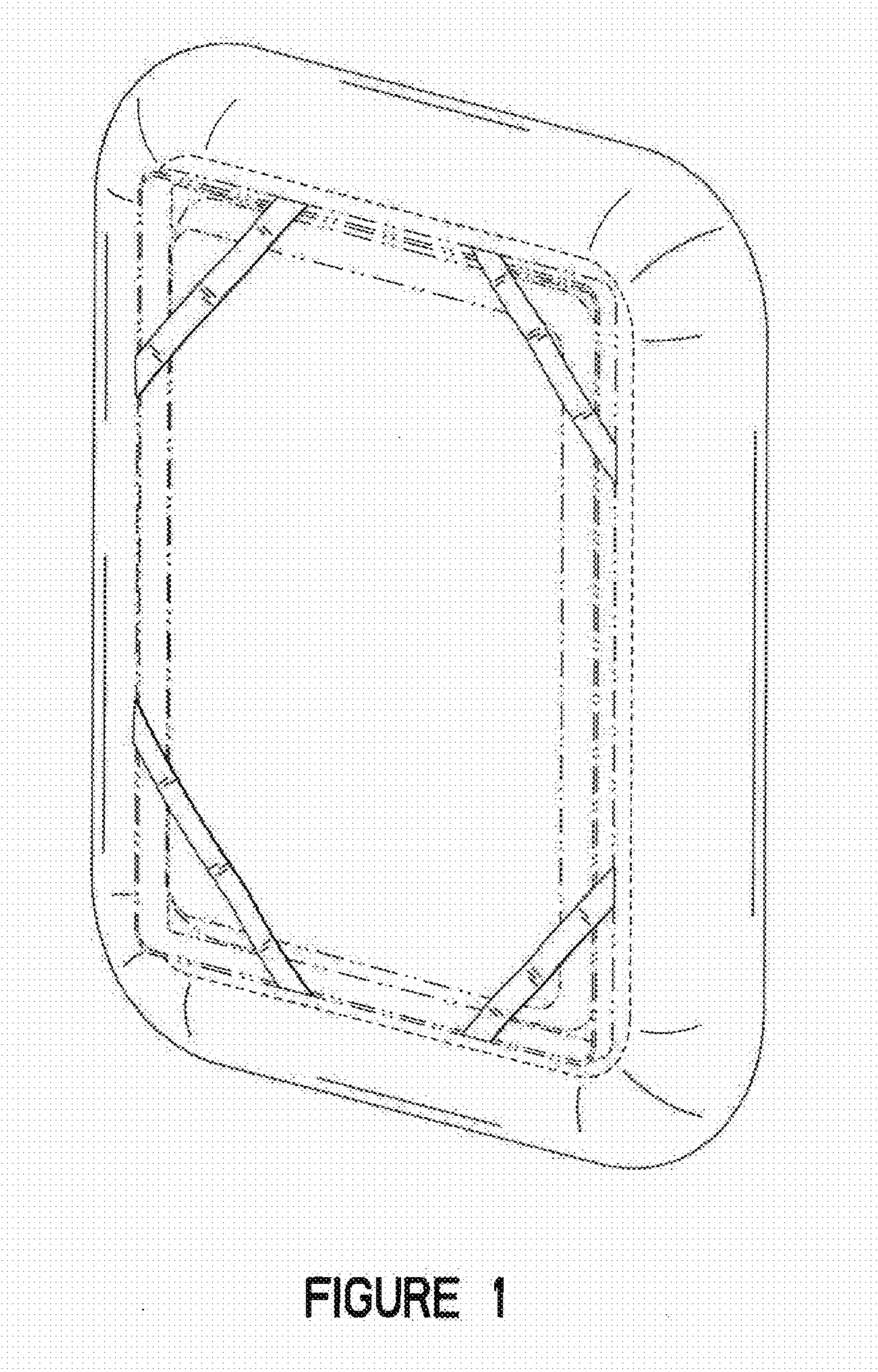
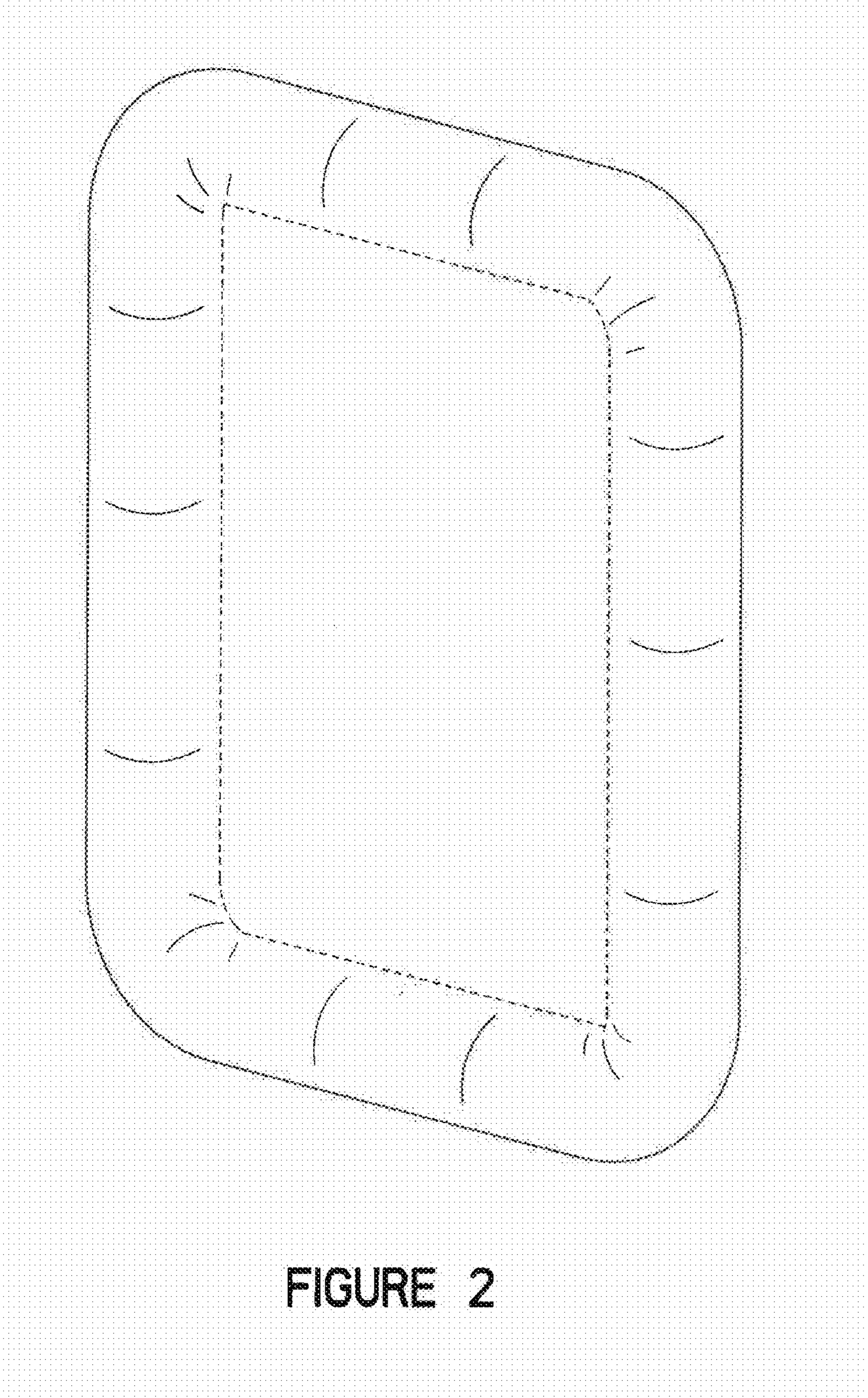


FIGURE 1



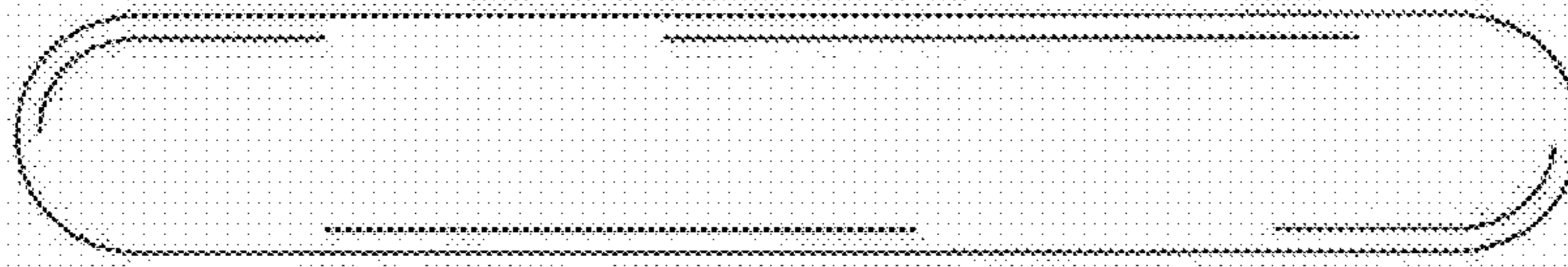


FIGURE 4

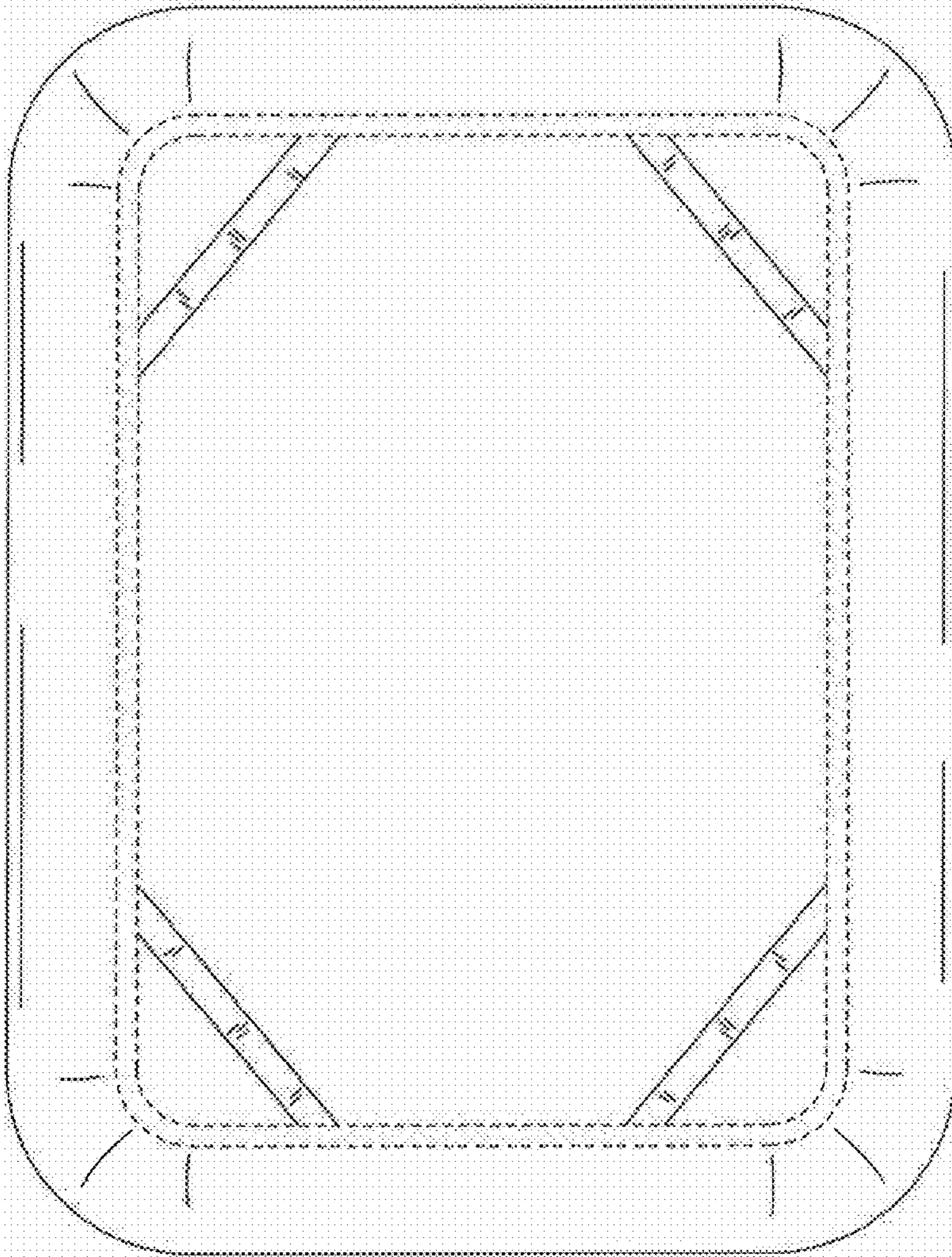


FIGURE 3

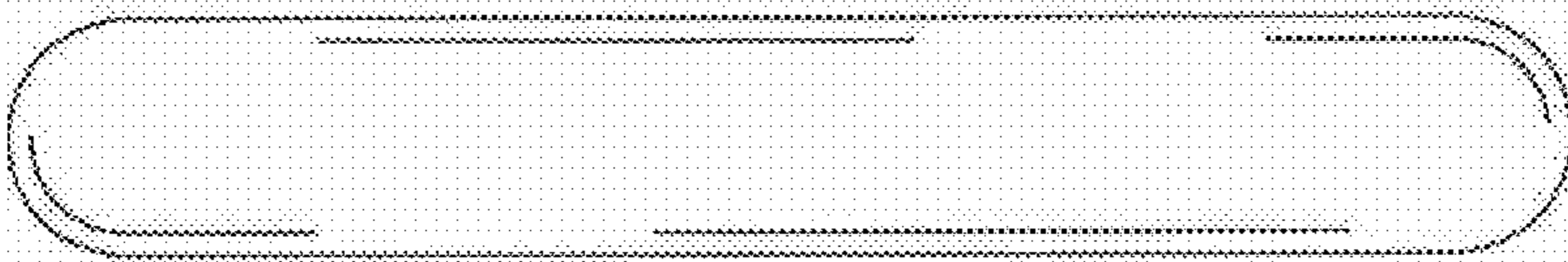


FIGURE 5

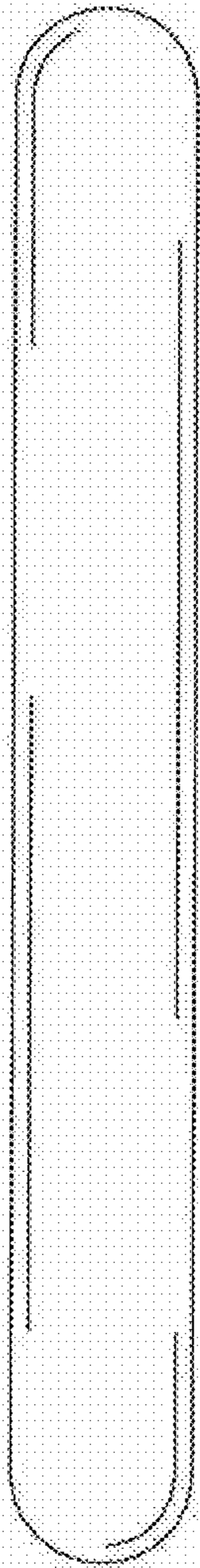


FIGURE 6

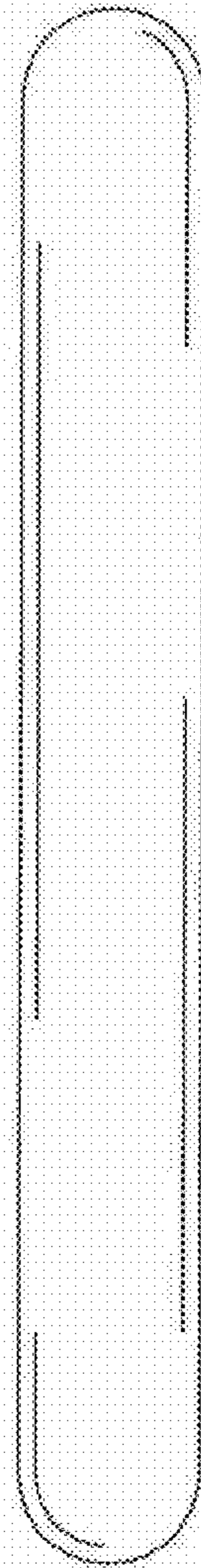


FIGURE 7

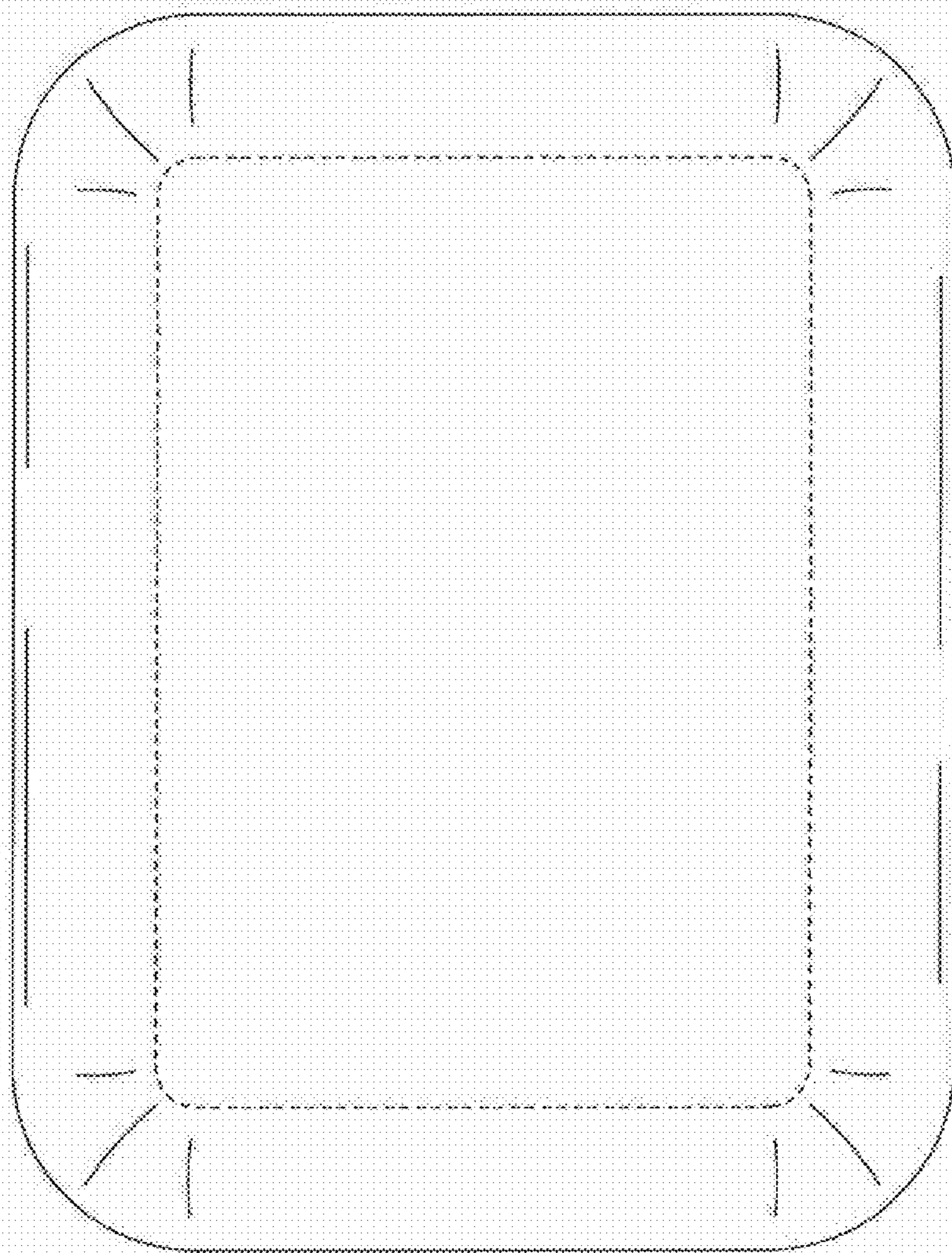


FIGURE 8