



US00D759901S

(12) **United States Design Patent**
Long

(10) **Patent No.:** **US D759,901 S**
(45) **Date of Patent:** **** Jun. 21, 2016**

(54) **RESTRAINT SYSTEM**
(71) Applicant: **Stephen Long**, West Dennis, MA (US)
(72) Inventor: **Stephen Long**, West Dennis, MA (US)
(**) Term: **15 Years**
(21) Appl. No.: **29/527,877**
(22) Filed: **May 22, 2015**
(51) **LOC (10) Cl.** **29-02**
(52) **U.S. Cl.**
USPC **D29/120.2**
(58) **Field of Classification Search**
USPC D29/120.1, 120.2, 113; 2/16, 17, 170;
24/16 PB; 70/14-19; 119/770; 128/869,
128/878
CPC E05B 75/00; A61F 5/3715
See application file for complete search history.

6,083,183 A 7/2000 Yang
6,368,261 B1 * 4/2002 Doehler A47C 1/03
297/408
6,935,342 B2 8/2005 Larson
7,000,438 B1 2/2006 Cooper et al.
7,467,604 B1 * 12/2008 Werner A01K 27/00
119/770
7,581,416 B1 9/2009 Lenertz

* cited by examiner

Primary Examiner — Randall Gholson
(74) *Attorney, Agent, or Firm* — Lambert & Associates;
Gary E. Lambert; David J. Connaughton, Jr.

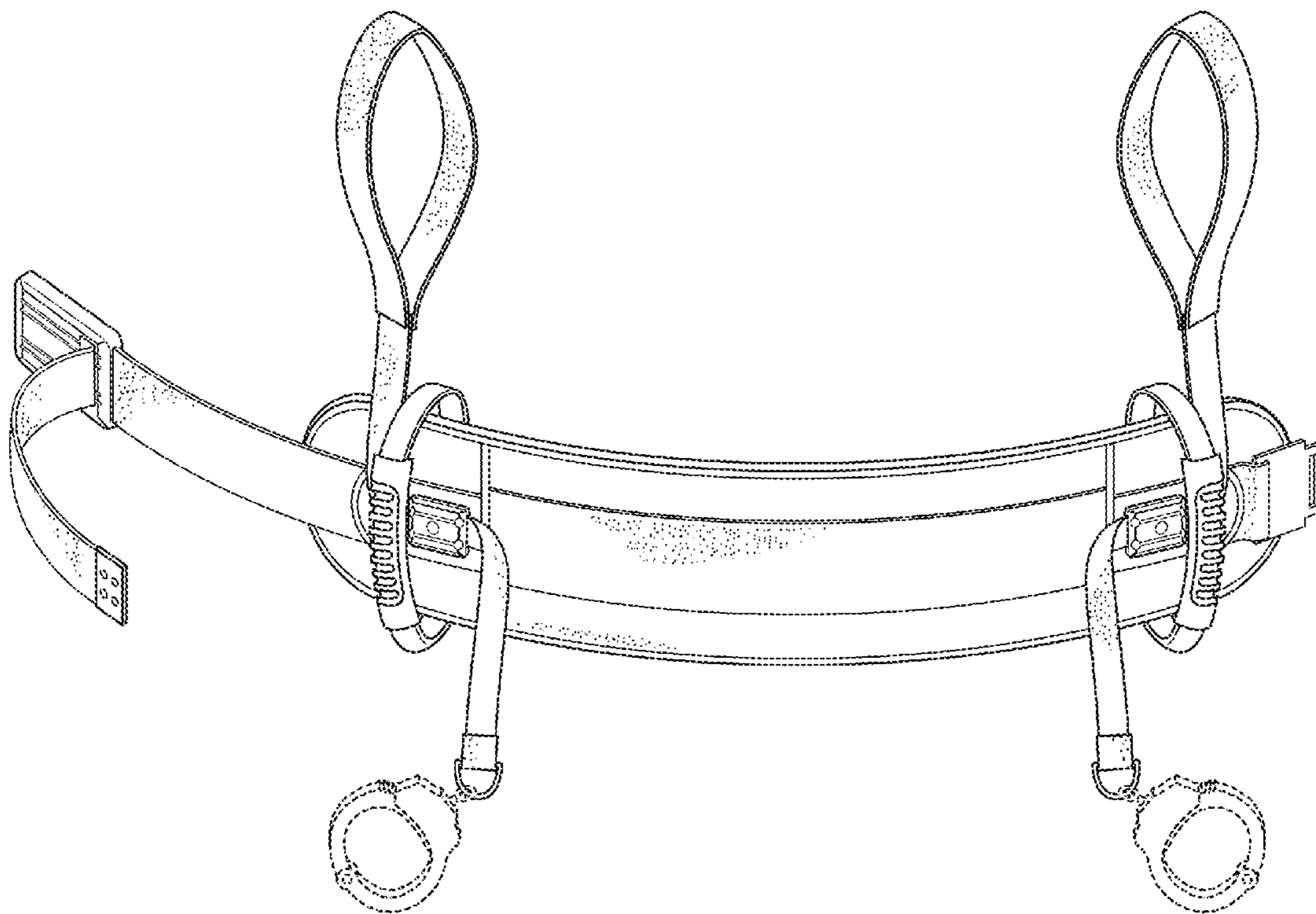
(57) **CLAIM**
The ornamental design for the restraint system, as shown and described.

DESCRIPTION

FIG. 1 is a perspective front view of the restraint system, which embodies my design;
FIG. 2 is a front elevation view thereof;
FIG. 3 is a rear elevation view thereof;
FIG. 4 is a bottom view thereof;
FIG. 5 is a top view thereof;
FIG. 6 is a left side view thereof; and,
FIG. 7 is a right side view thereof.
The broken lines shown in the drawings show unclaimed subject matter only and form no part of the claimed design.

(56) **References Cited**
U.S. PATENT DOCUMENTS
380,441 A 4/1888 Tankersley et al.
583,796 A 6/1897 Ferrell
1,881,948 A 10/1932 Rayburn
2,324,183 A 7/1943 Wilson
2,425,489 A 8/1947 Peterson
4,860,560 A 8/1989 Lundelius
5,261,728 A 11/1993 Carmichael
5,542,433 A 8/1996 Saupe
5,829,443 A * 11/1998 Cunningham A61F 5/3715
128/869

1 Claim, 5 Drawing Sheets



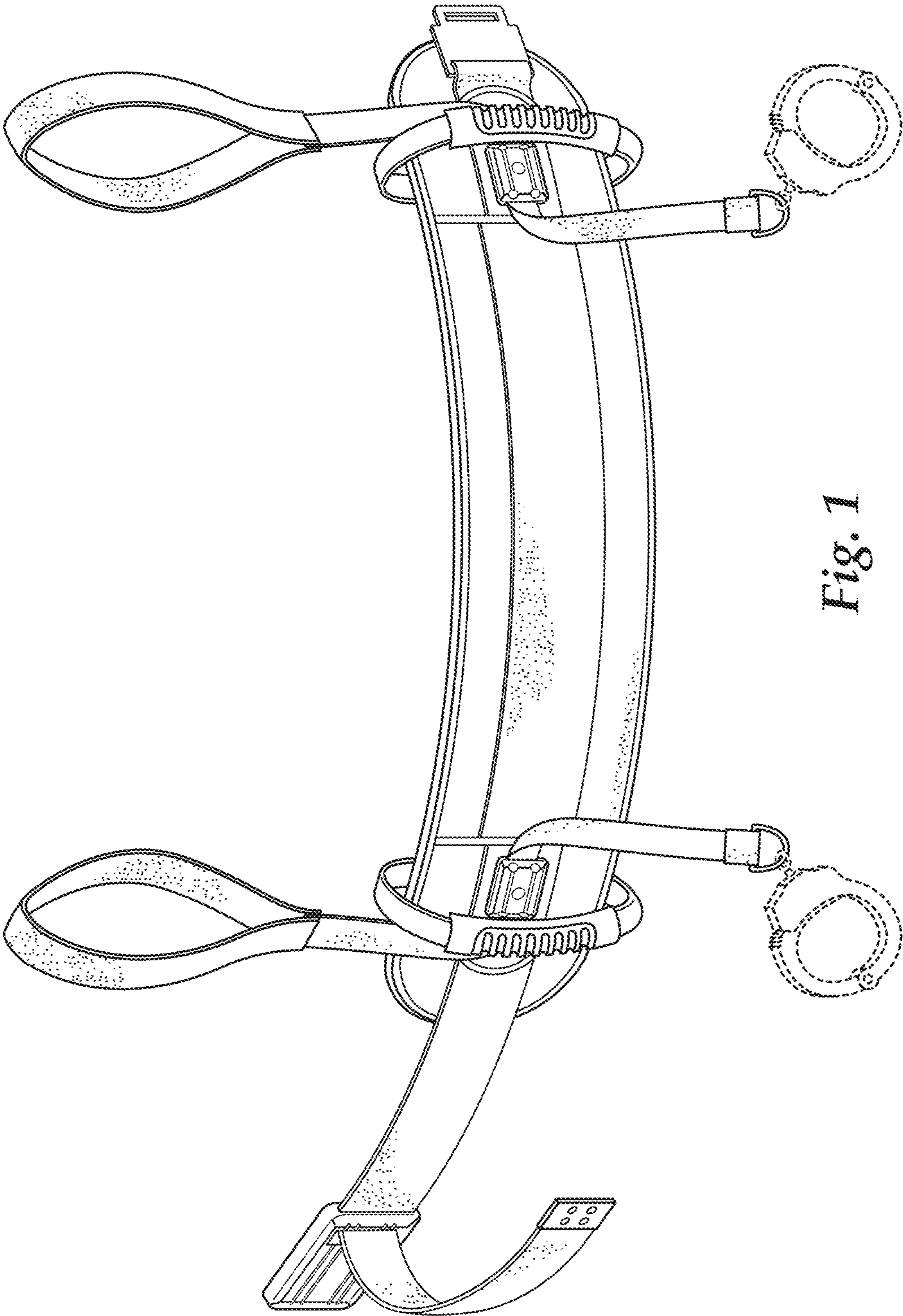


Fig. 1

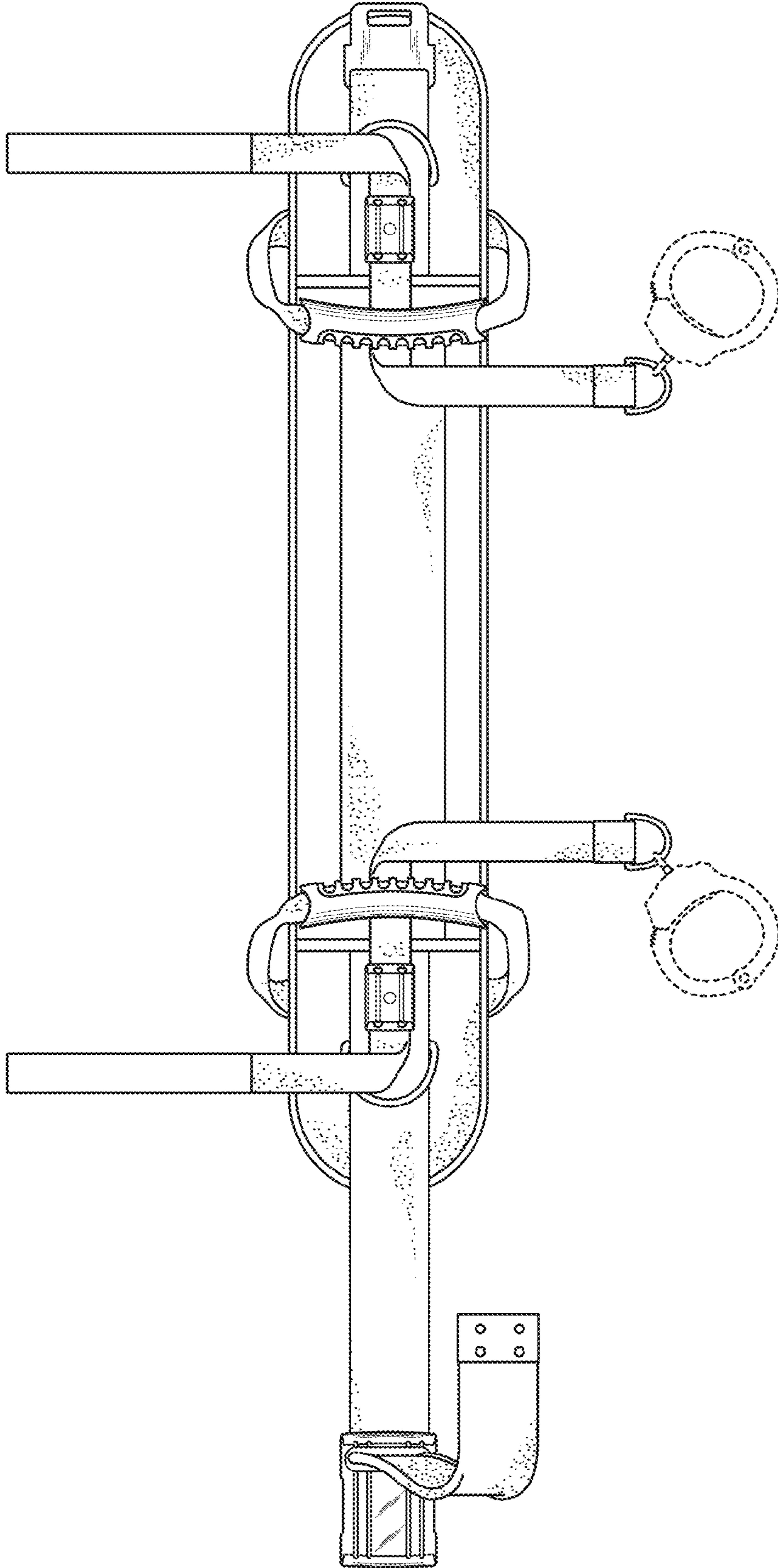


Fig. 2

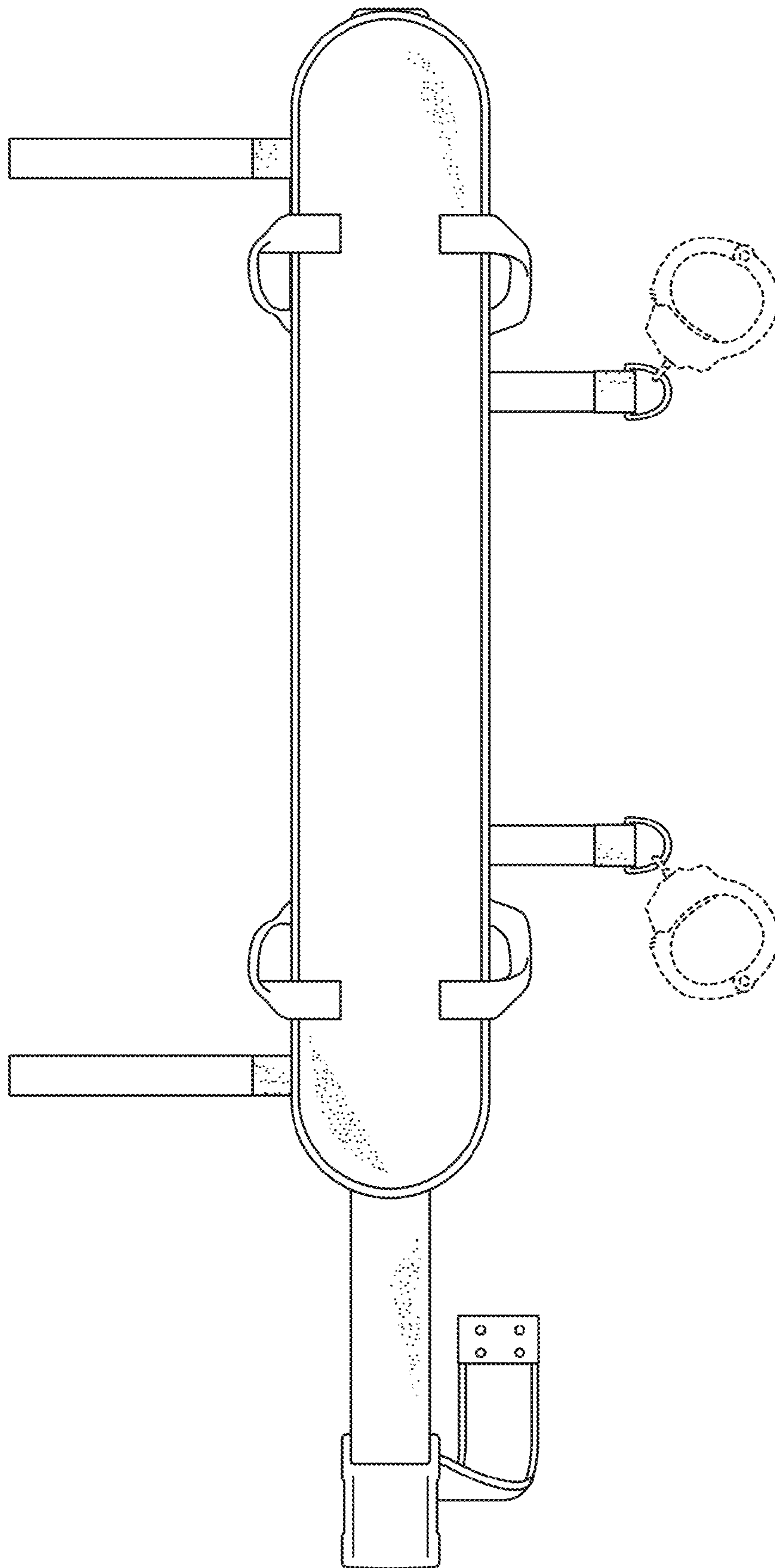


Fig. 3

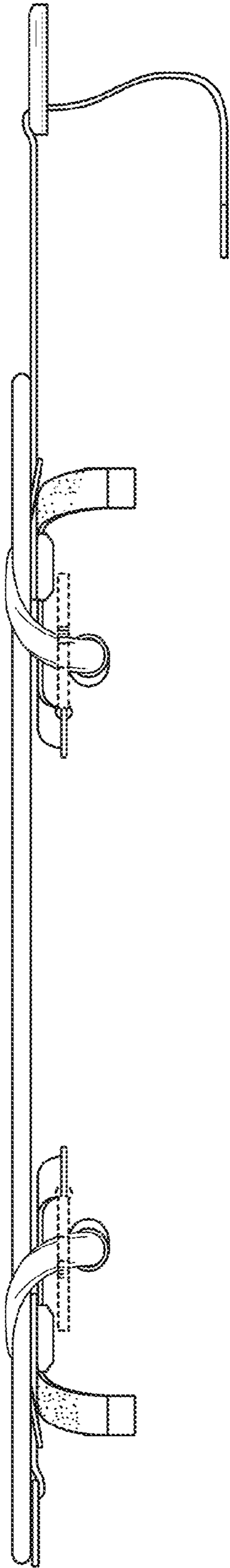


Fig. 4

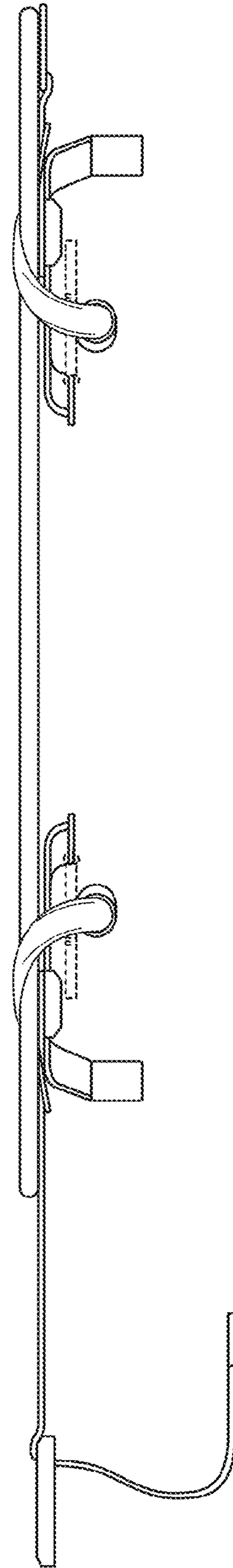


Fig. 5

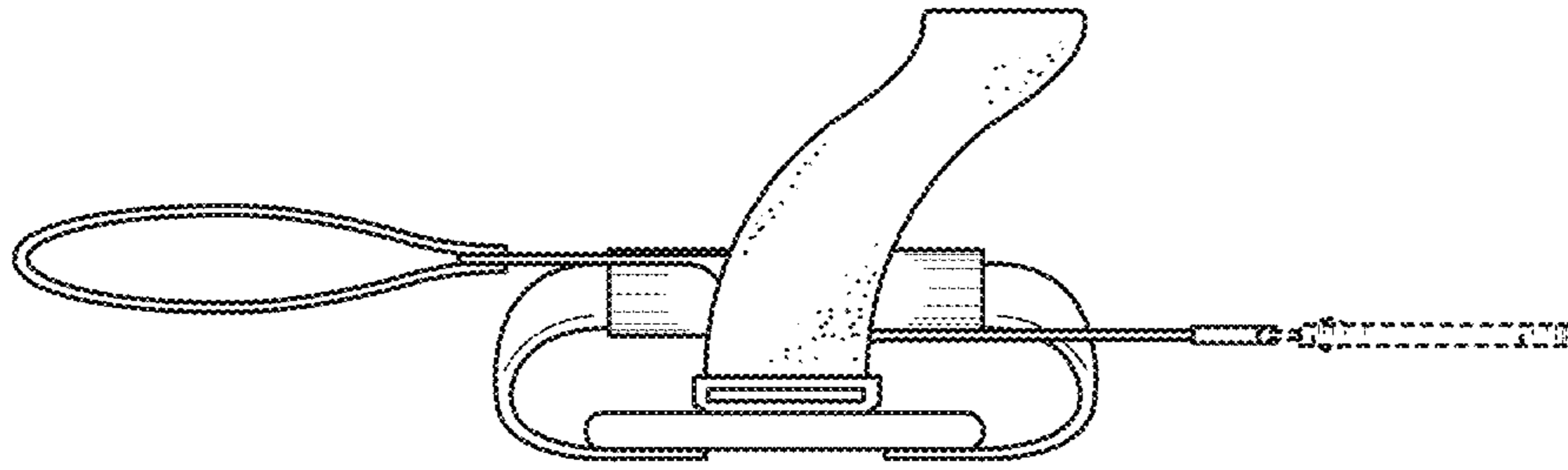


Fig. 6

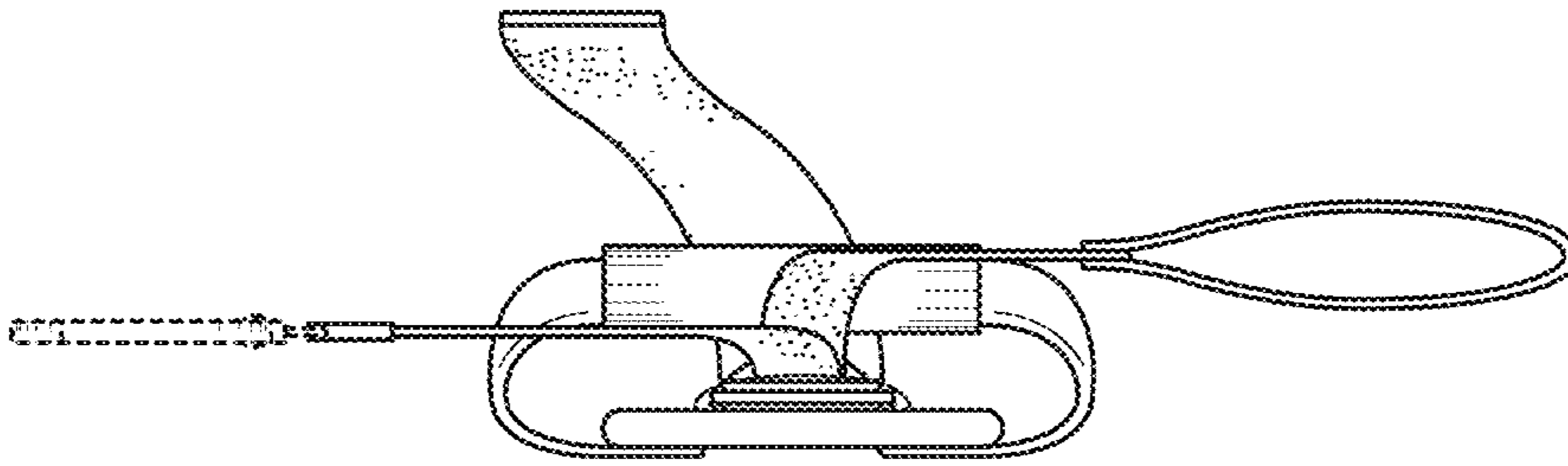


Fig. 7