



US00D759896S

(12) **United States Design Patent**
Wawoe

(10) **Patent No.:** **US D759,896 S**
(45) **Date of Patent:** **** Jun. 21, 2016**

- (54) **COSMETIC COMPACT WITH WINDOW**
- (71) Applicant: **MAKE-UP DESIGNORY**, Valencia, CA (US)
- (72) Inventor: **Pascual Wawoe**, Burbank, CA (US)
- (73) Assignee: **MAKE-UP DESIGNORY**, Valencia, CA (US)
- (**) Term: **15 Years**
- (21) Appl. No.: **29/530,673**
- (22) Filed: **Jun. 18, 2015**
- (51) **LOC (10) Cl.** **28-03**
- (52) **U.S. Cl.**
USPC **D28/78**
- (58) **Field of Classification Search**
USPC D28/76-84
CPC A45D 33/00-33/003; A45D 33/006;
A45D 33/008; A45D 33/02; A45D 33/025;
A45D 33/06-33/10; A45D 33/16; A45D
33/18; A45D 33/20; A45D 33/22; A45D
33/24; A45D 33/26; A45D 33/28; A45D
40/00; A45D 40/22-40/24; A45D 40/0075
See application file for complete search history.

- D655,045 S * 2/2012 Paschoal D28/83
- D735,947 S * 8/2015 Reyes D28/79
- D741,018 S * 10/2015 Tsai D28/78

* cited by examiner

Primary Examiner — Jennifer Rivard
(74) *Attorney, Agent, or Firm* — Duane Morris LLP; Manita Rawat

(57) **CLAIM**
The ornamental design for a cosmetic compact with window, as shown and described.

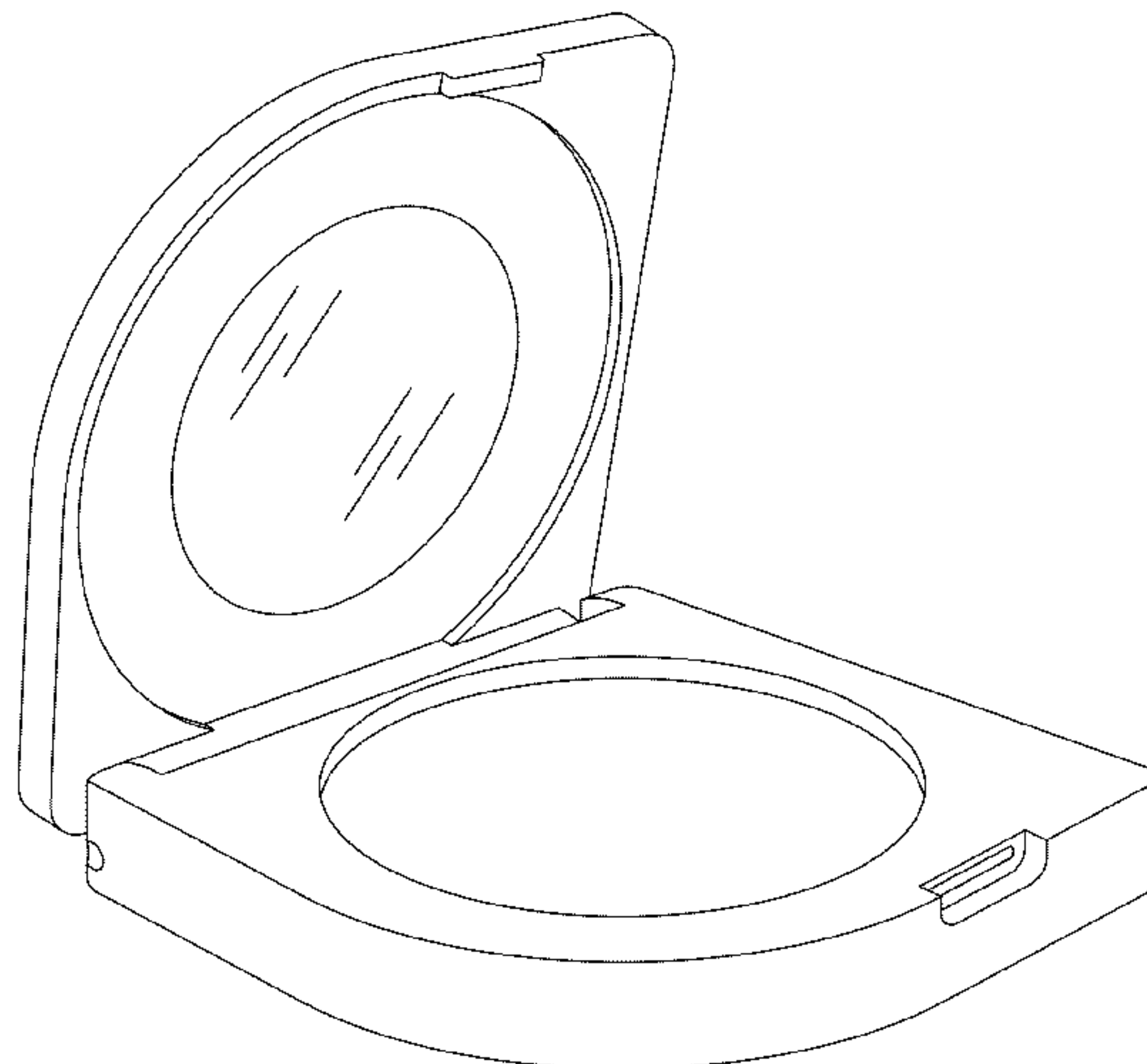
DESCRIPTION

FIG. 1 is a perspective view of the front, right, and top of the cosmetic compact with window in a closed state;
 FIG. 2 is a top plan view of the cosmetic compact with window in a closed state;
 FIG. 3 is a bottom plan view of the cosmetic compact with window in the closed state;
 FIG. 4 is a front elevation view of the cosmetic compact with window in the closed state;
 FIG. 5 is a rear elevation view of the cosmetic compact with window in the closed state;
 FIG. 6 is a left side elevation view of the cosmetic compact with window in the closed state;
 FIG. 7 is a perspective view of the front, right, and top of the cosmetic compact with window in the open state;
 FIG. 8 is a top plan view of the cosmetic compact with window in the open state;
 FIG. 9 is a bottom plan view of the cosmetic compact with window in the open state;
 FIG. 10 is a front elevation view of the cosmetic compact with window in the open state;
 FIG. 11 is rear elevation view of the cosmetic compact with window in the open state; and,
 FIG. 12 is a left side elevation view of the cosmetic compact with window in the open state.

(56) **References Cited**
U.S. PATENT DOCUMENTS

- D303,163 S * 8/1989 Bakic D28/78
- D303,581 S * 9/1989 Bakic D28/78
- D306,503 S * 3/1990 Bakic D28/78
- D355,486 S * 2/1995 Ikeda D28/78
- D517,733 S * 3/2006 Tsai D28/78
- D531,761 S * 11/2006 Zadeh D28/83
- D578,710 S * 10/2008 Genovese D28/78
- D579,608 S * 10/2008 Burrow D28/78
- D653,397 S * 1/2012 de Lima Paschoal D28/83

1 Claim, 12 Drawing Sheets



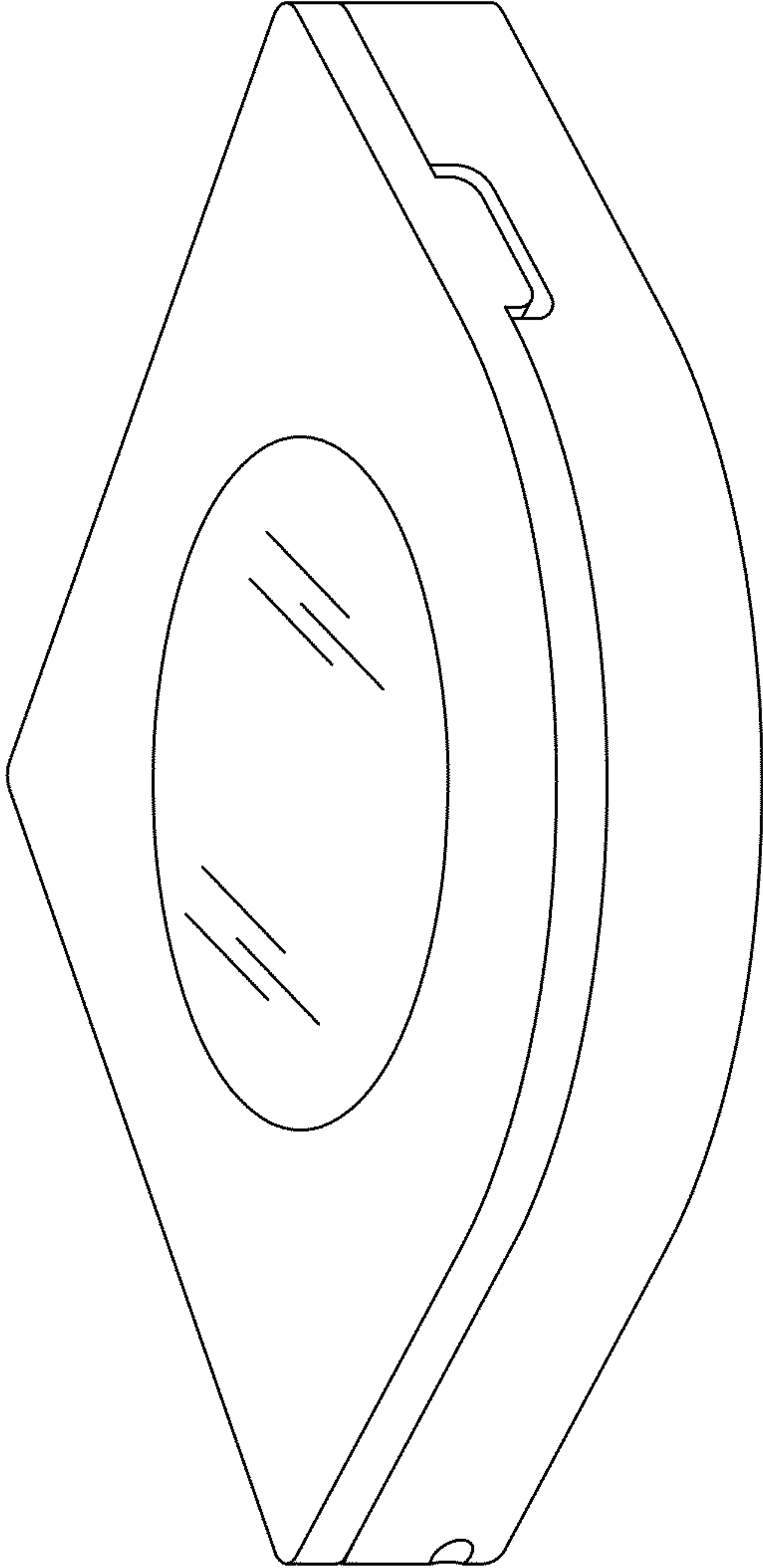


FIG. 1

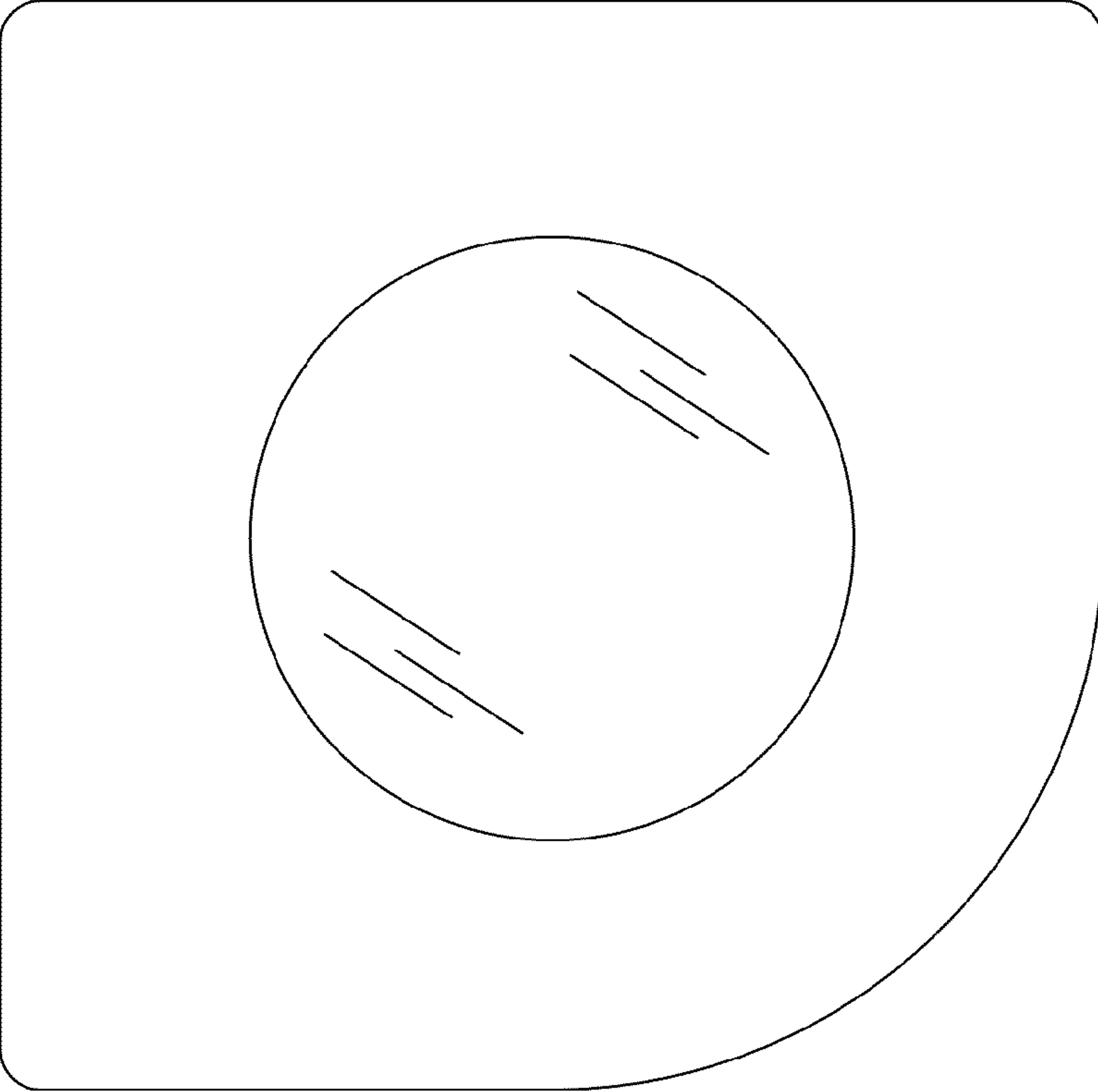


FIG. 2

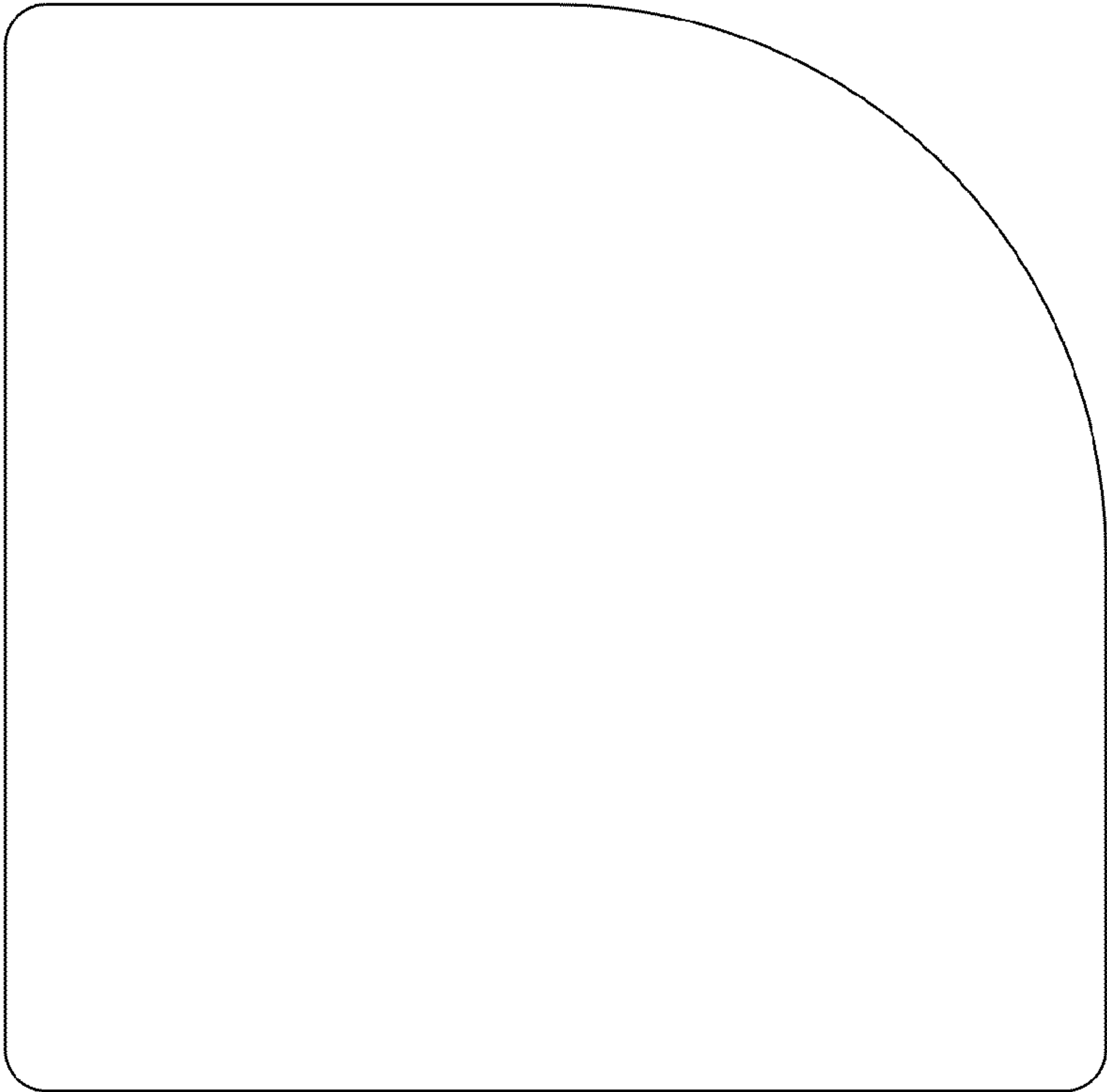


FIG. 3

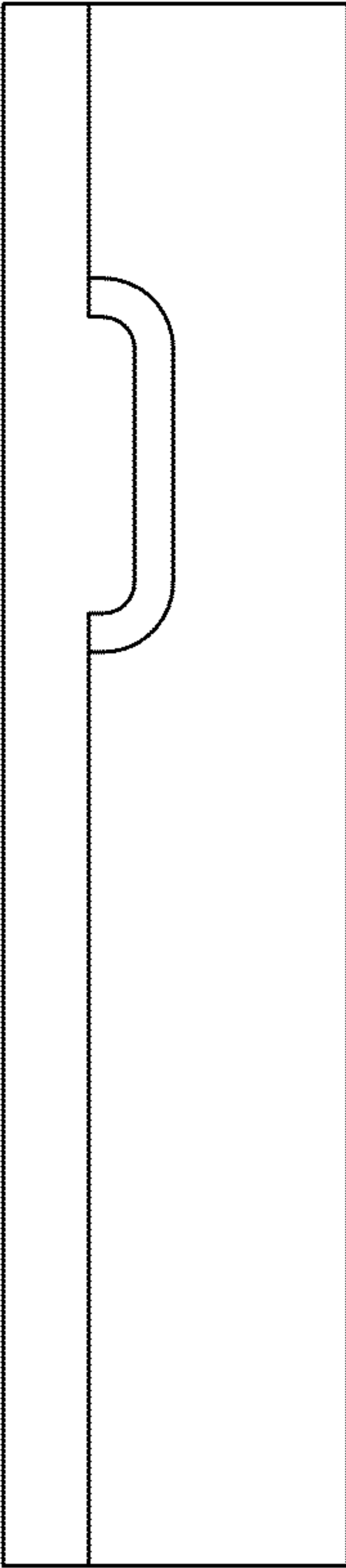


FIG. 4

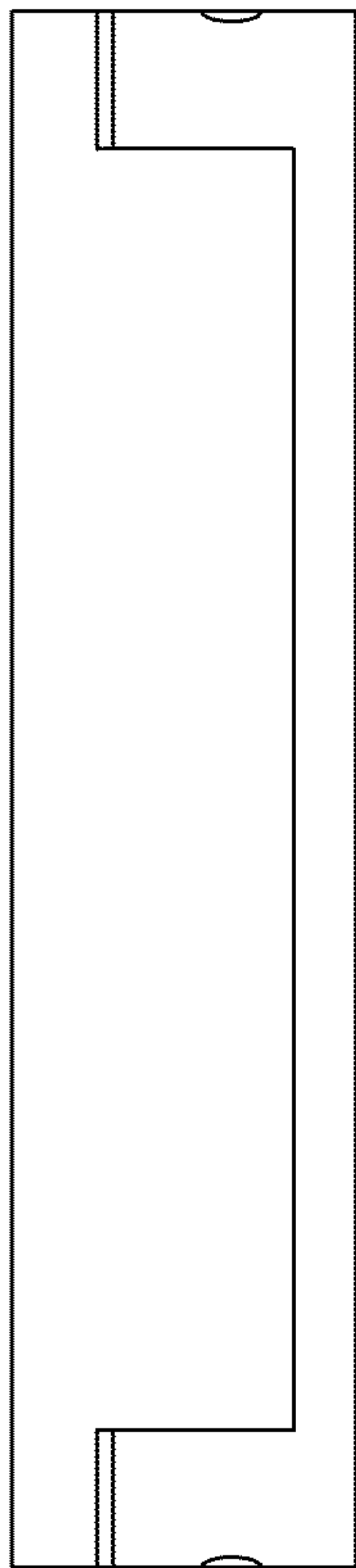


FIG. 5

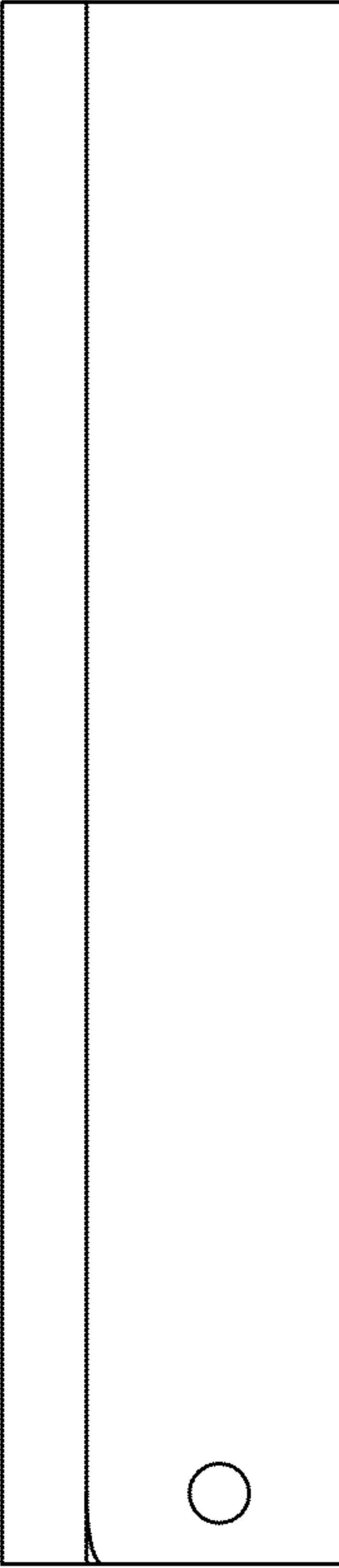


FIG. 6

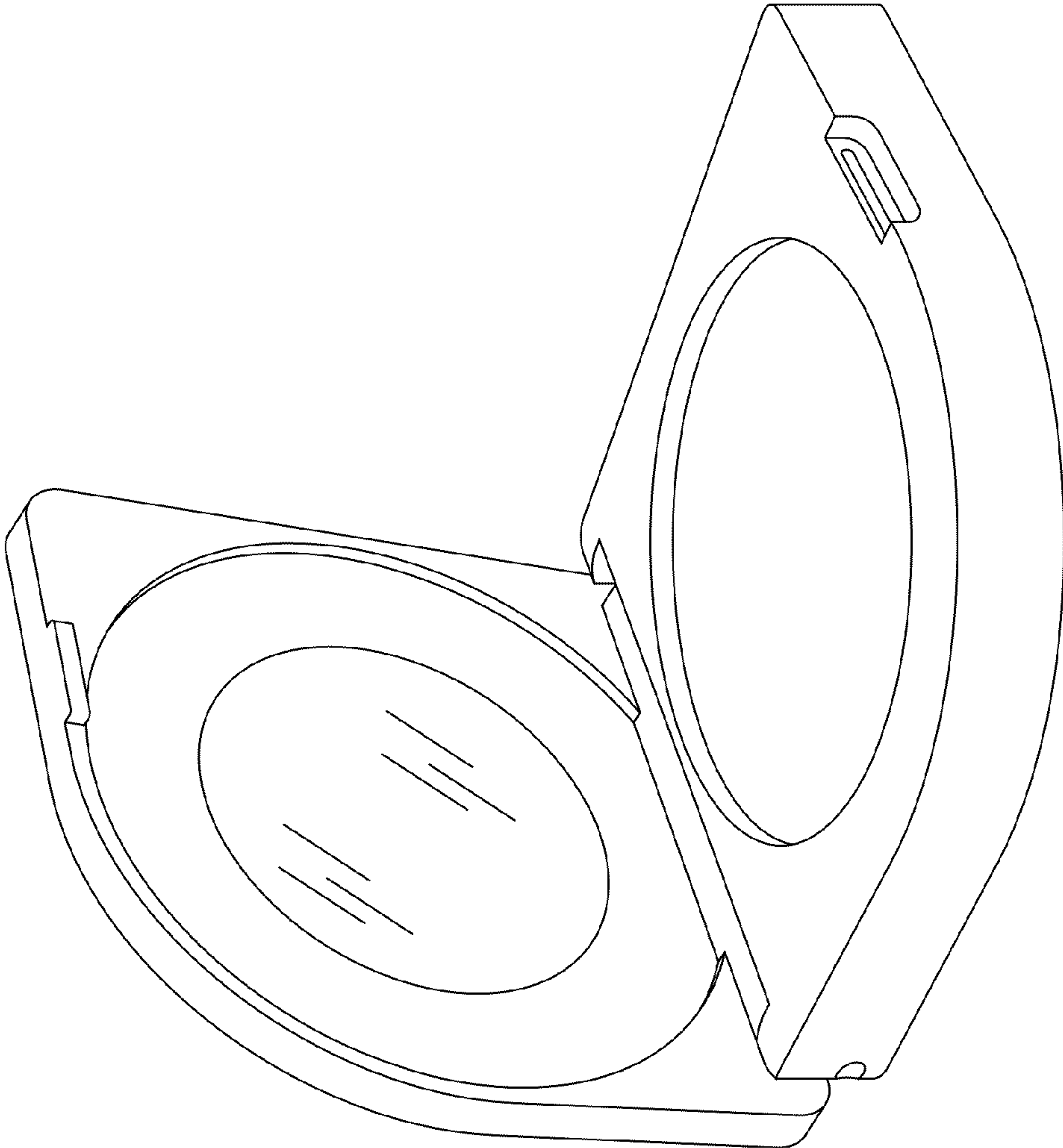


FIG. 7

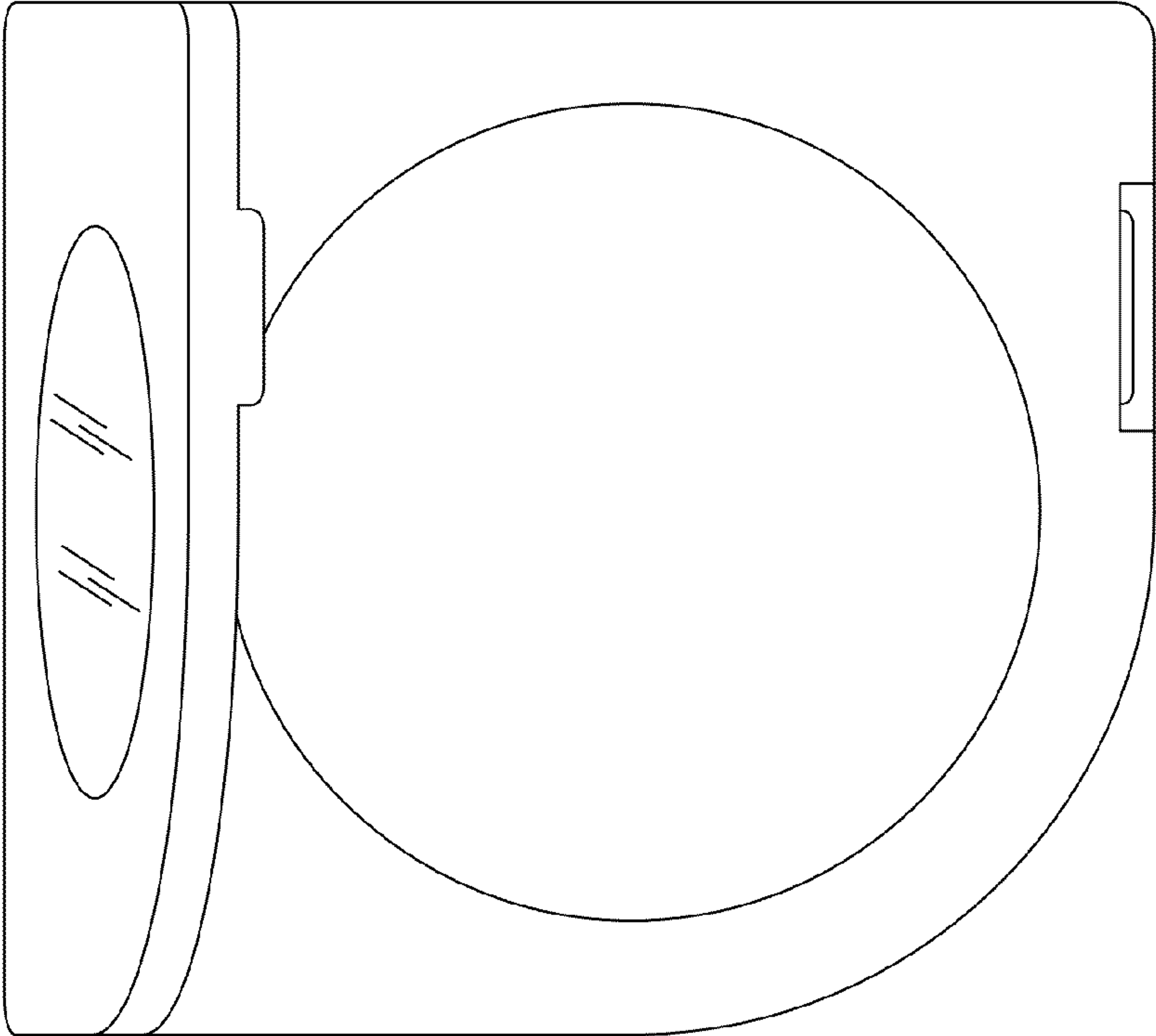


FIG. 8

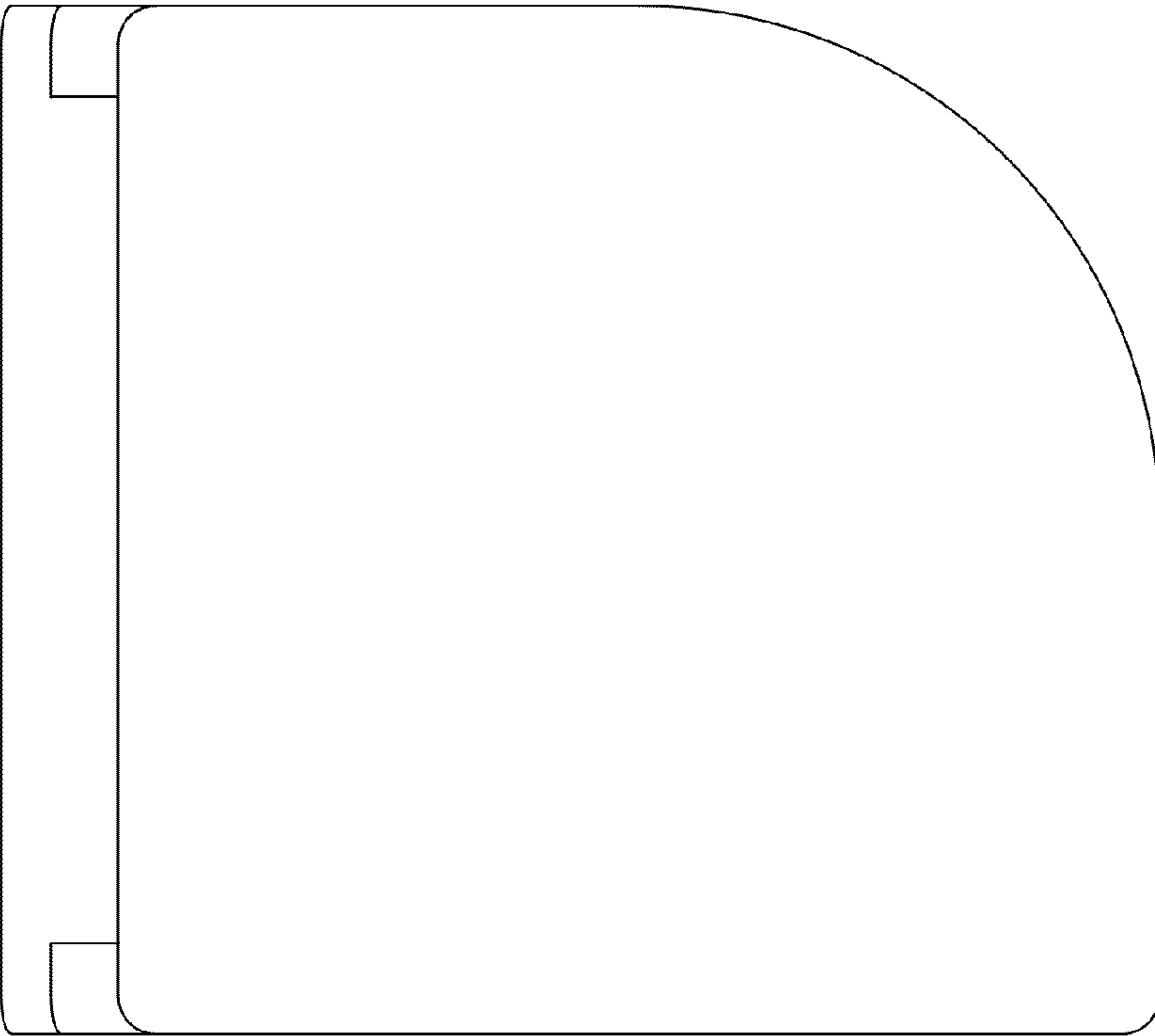


FIG. 9

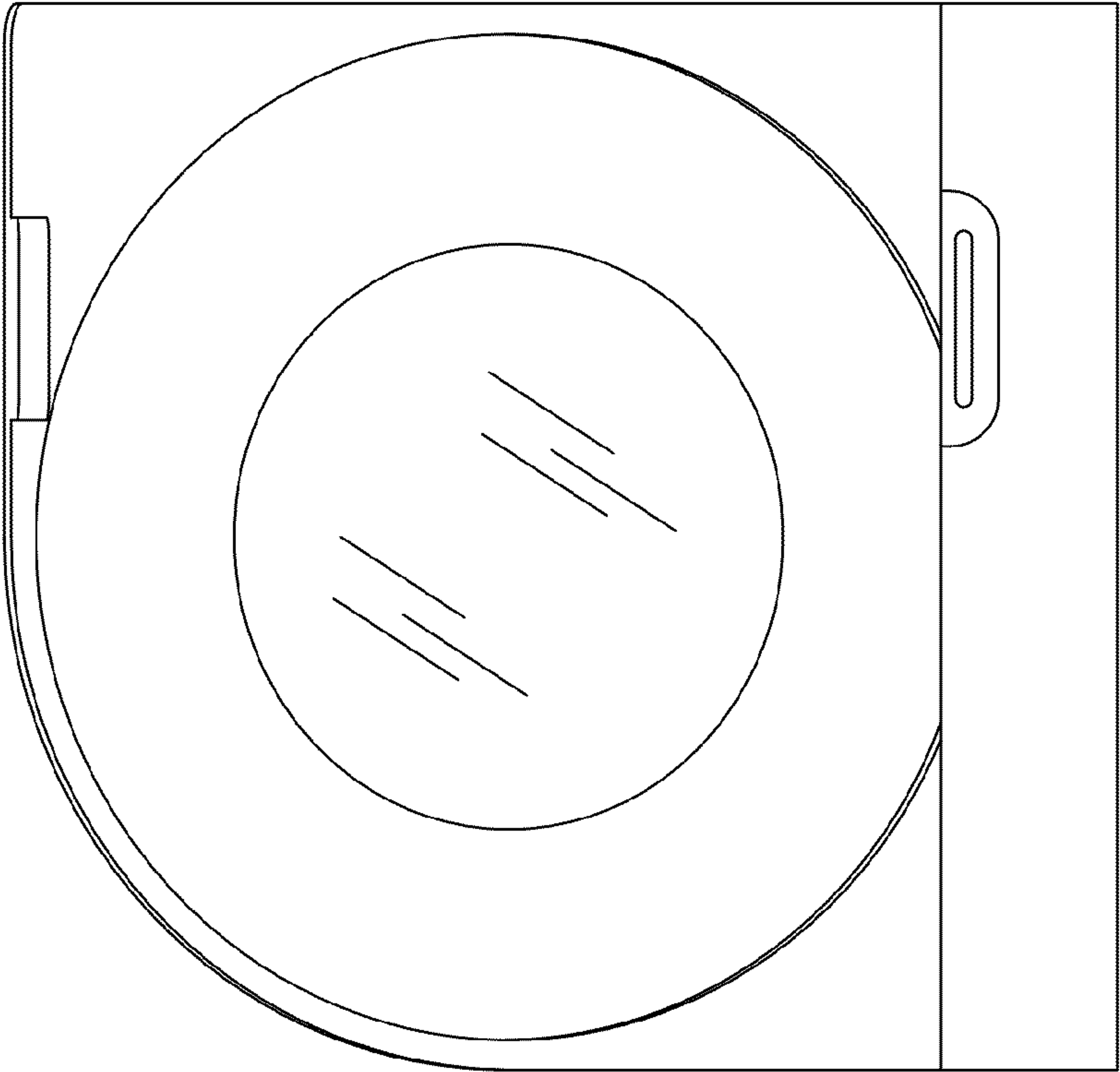


FIG. 10

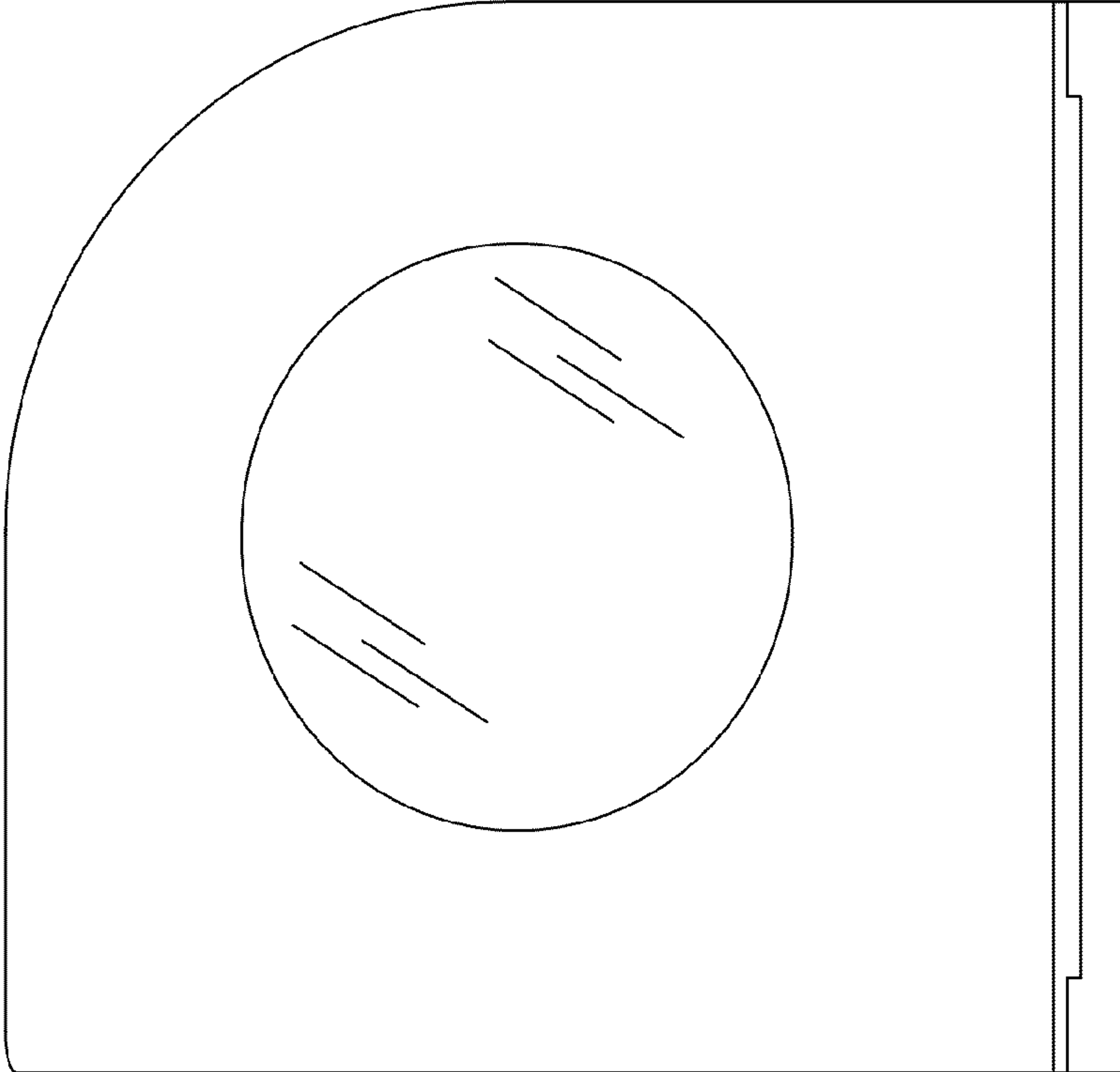


FIG. 11

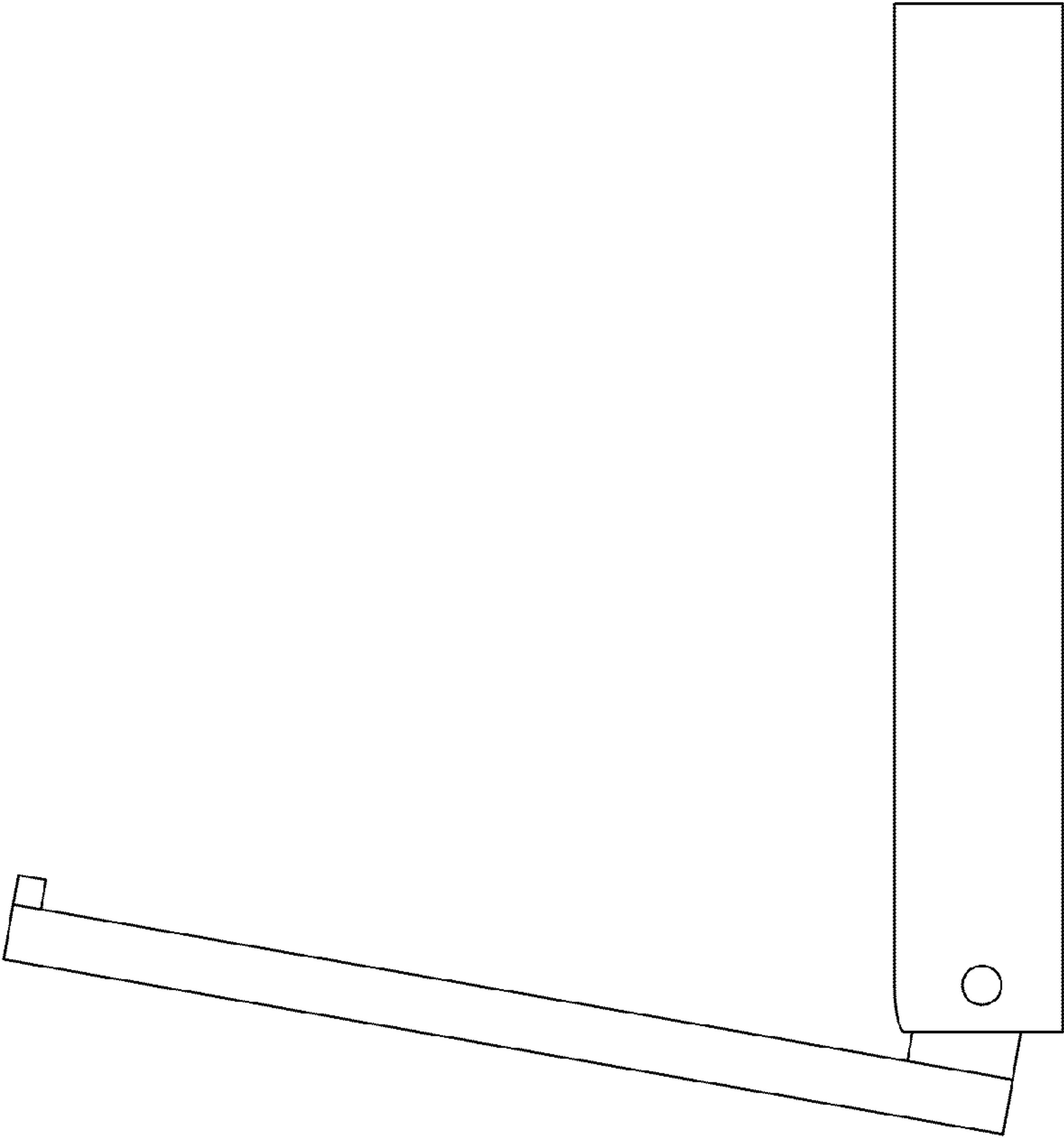


FIG. 12