



US00D759894S

(12) **United States Design Patent**
Goodman et al.

(10) **Patent No.:** **US D759,894 S**
(45) **Date of Patent:** **** Jun. 21, 2016**

- (54) **GROOMING RACK**
- (71) Applicant: **Spectrum Diversified Designs, Inc.**,
Streetsboro, OH (US)
- (72) Inventors: **Sheldon H. Goodman**, Solon, OH (US);
Phaysouk Xayoiphonh, Akron, OH (US)
- (73) Assignee: **Spectrum Diversified Designs, LLC**,
Streetsboro, OH (US)
- (**) Term: **14 Years**
- (21) Appl. No.: **29/494,727**
- (22) Filed: **Jun. 24, 2014**
- (51) **LOC (10) Cl.** **28-03**
- (52) **U.S. Cl.**
USPC **D28/73; D28/38**
- (58) **Field of Classification Search**
USPC D28/73, 77, 38; D6/567, 566, 528, 531,
D6/527, 524, 525, 526, 537, 553, 513,
D6/562; D7/600.1-600.4, 704; D8/373,
D8/366, 352, 356, 376, 380; 248/317
CPC A45D 44/04; A45D 20/00; A45D 20/12;
A45D 2020/126; A45D 2020/128; A45D
44/02; A45D 2001/002; A45D 20/16; A47F
5/00; A47F 5/01; A47F 5/13
See application file for complete search history.

D470,978 S *	2/2003	Hoernig	D28/73
D512,861 S *	12/2005	Rosen	D6/525
D570,633 S *	6/2008	Goodman et al.	D6/566
D643,657 S *	8/2011	Cittadino	D6/525
D694,548 S *	12/2013	Snell	D6/525

OTHER PUBLICATIONS

Wayfair.com. "hair dryer" tagged item under all bathroom accessories. Accessed on Oct. 6, 2015.(<http://www.wayfair.com/filters/All-Bathroom-Accessories-l363-c1773103-q~hair+dryer.html>).*
Google.com, Image search "under cabinet hair dryer holder", date restricted to show results prior to Jun. 24, 2013. Accessed Oct. 8, 2015.*

* cited by examiner

Primary Examiner — Jennifer Rivard
Assistant Examiner — April Rivas

(74) *Attorney, Agent, or Firm* — Benesch, Friedlander, Coplan & Aronoff, LLP

(56) **References Cited**

U.S. PATENT DOCUMENTS

D178,377 S *	7/1956	Karoff	D6/464
2,903,137 A *	9/1959	Brown	211/26
D213,993 S *	4/1969	Mineo, Jr.	D6/462
D243,559 S *	3/1977	Hoyle et al.	D28/38
D390,056 S *	2/1998	Pujals, Jr.	D6/566
D430,441 S *	9/2000	Rosenberg	D6/566

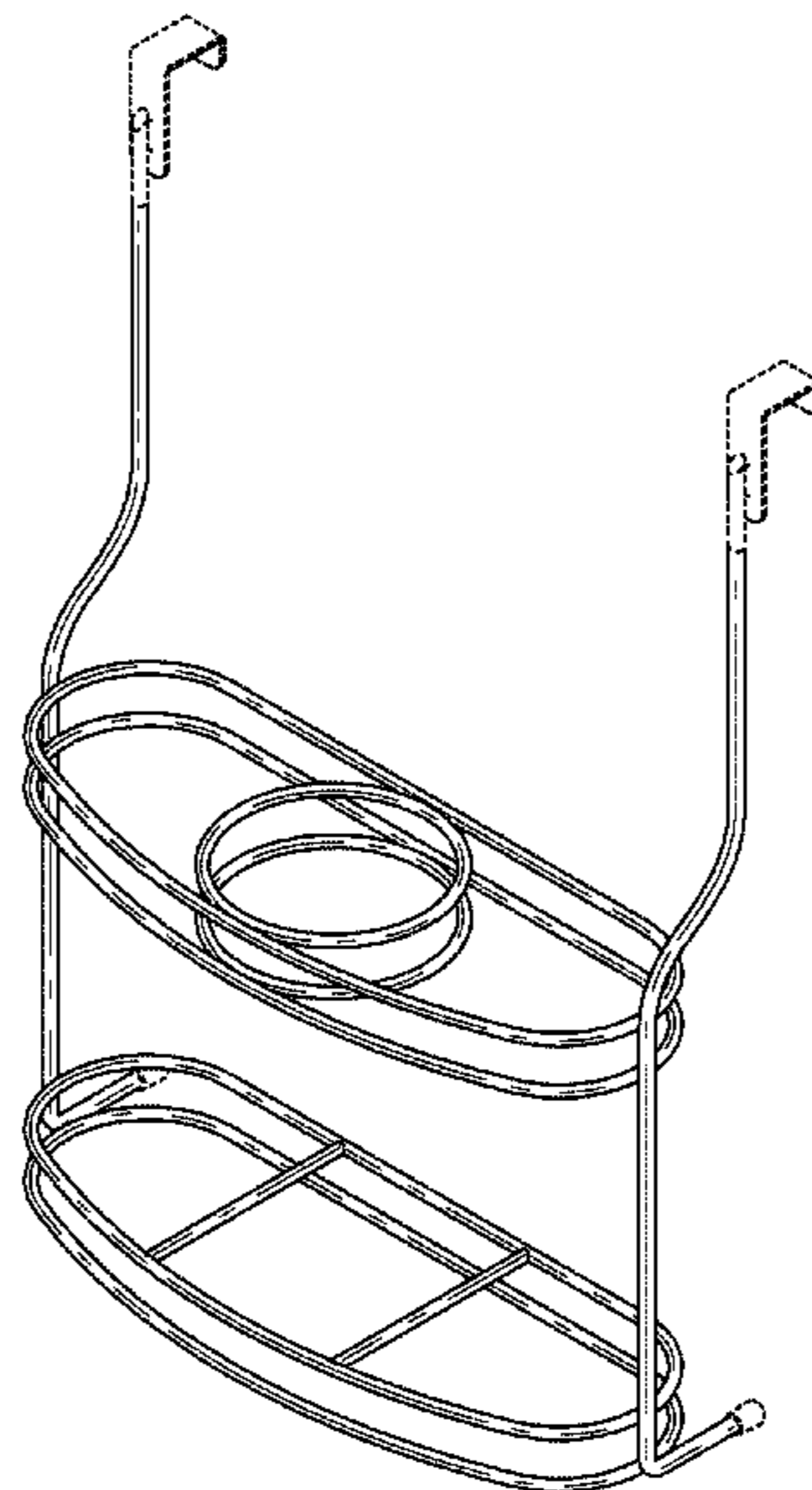
(57) **CLAIM**

What is claimed is the ornamental design for a grooming rack, as shown and described.

DESCRIPTION

FIG. 1 is a perspective view of a grooming rack showing a new design;
FIG. 2 is a top view of the grooming rack of FIG. 1;
FIG. 3 is a front view of the grooming rack of FIG. 1;
FIG. 4 is a side view of the grooming rack of FIG. 1;
FIG. 5 is a bottom view of the grooming rack of FIG. 1; and,
FIG. 6 is a rear view of the grooming rack of FIG. 1.
The components of the display shown in broken lines illustrate portions of the grooming rack form no part of the claimed design.

1 Claim, 3 Drawing Sheets



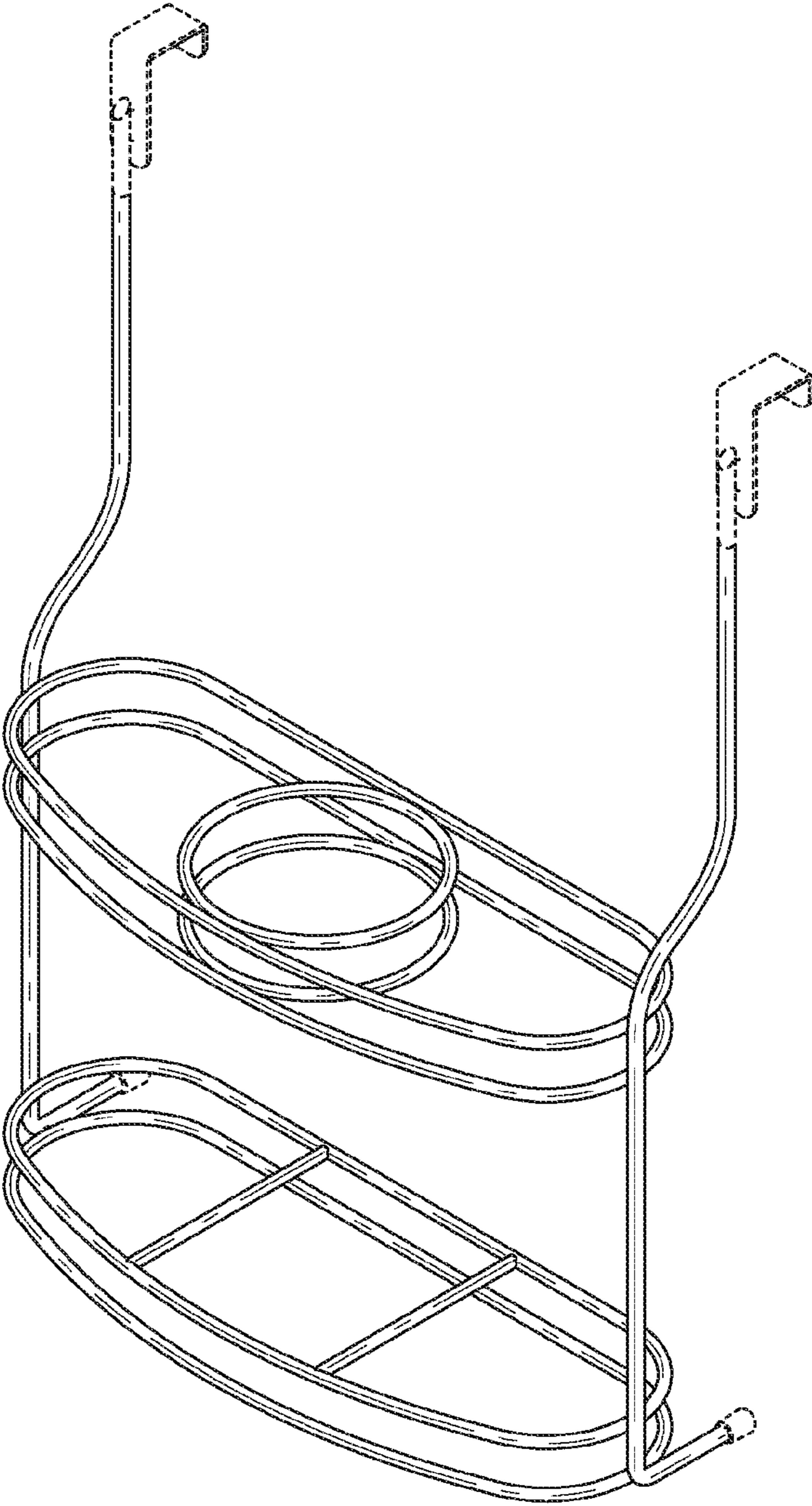


FIG. 1

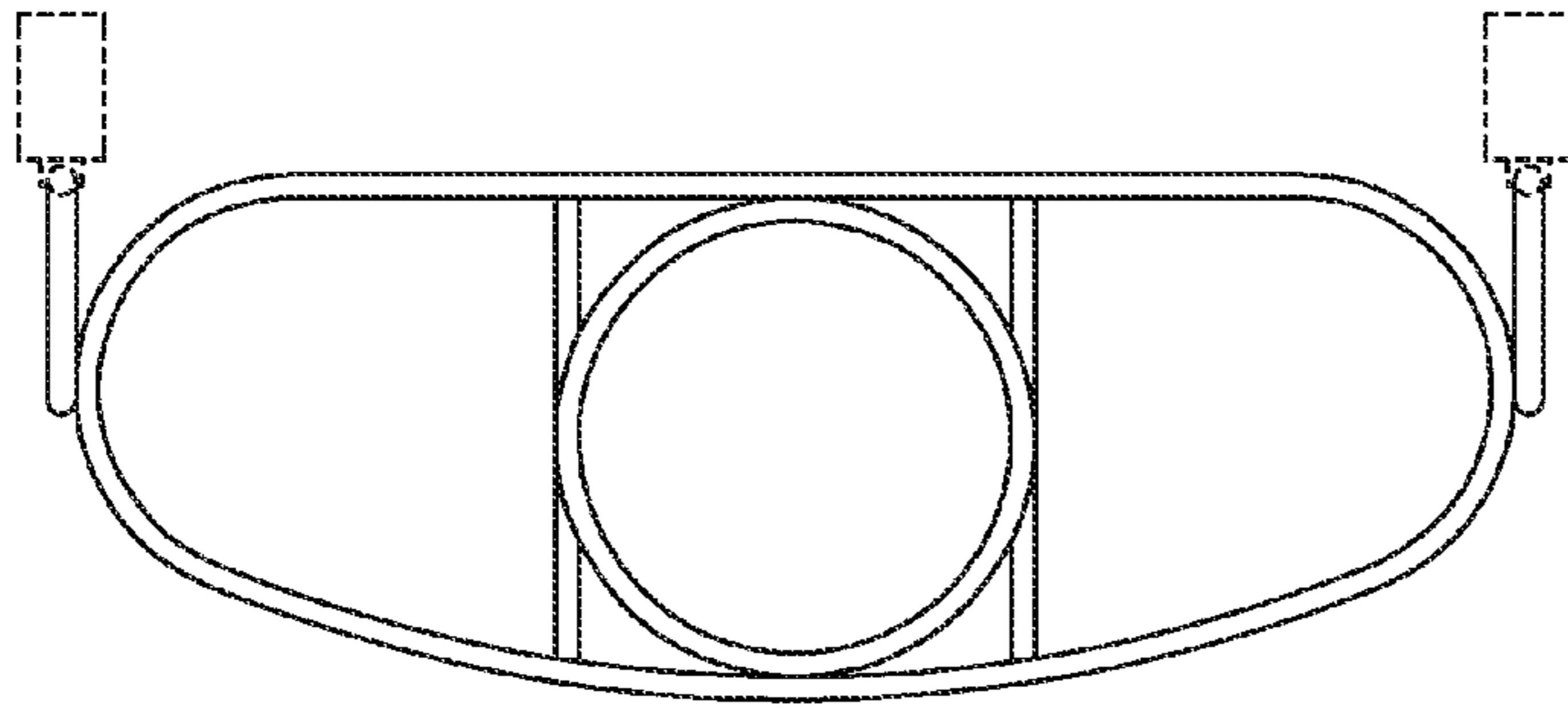


FIG. 2

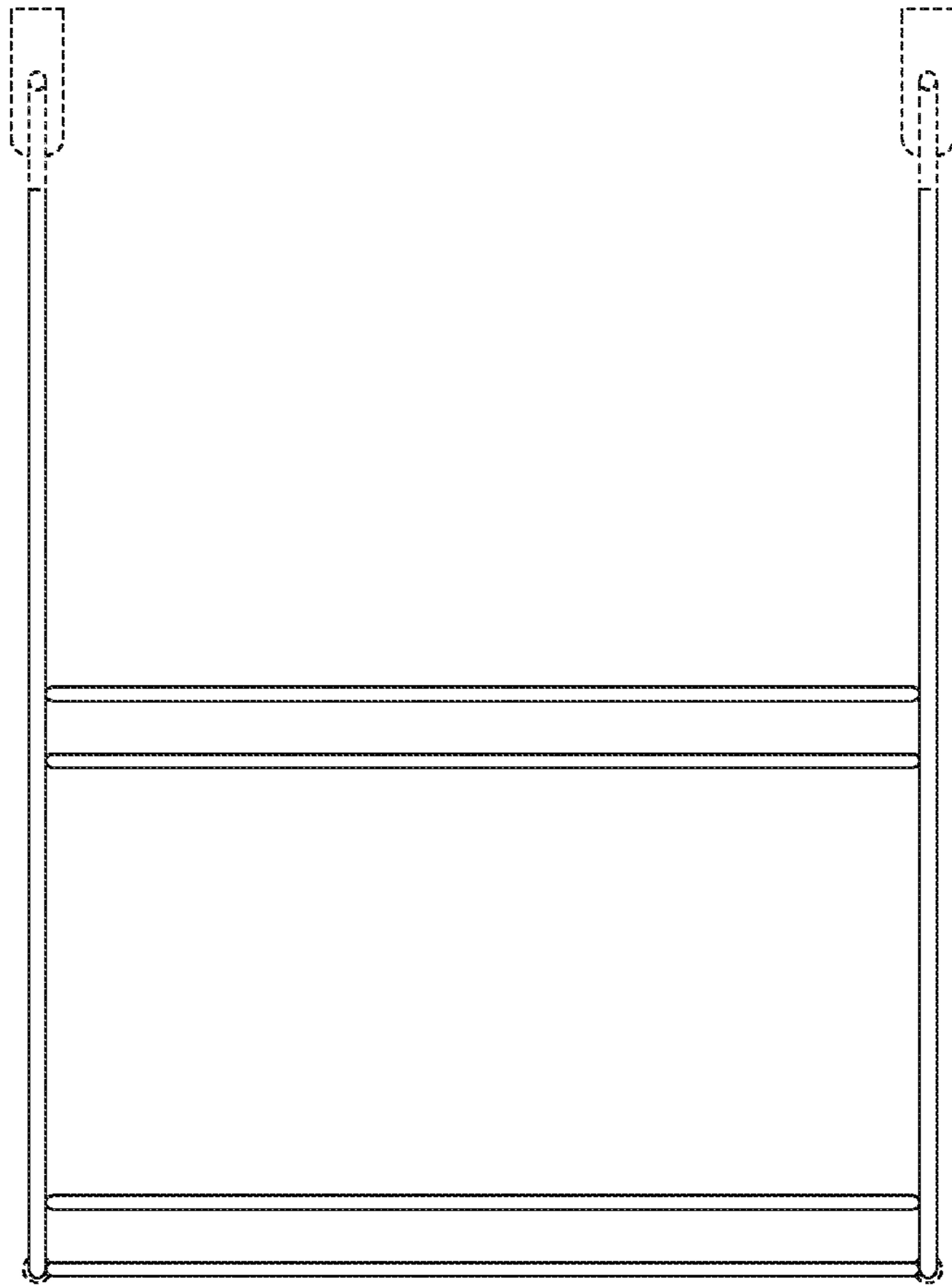


FIG. 3

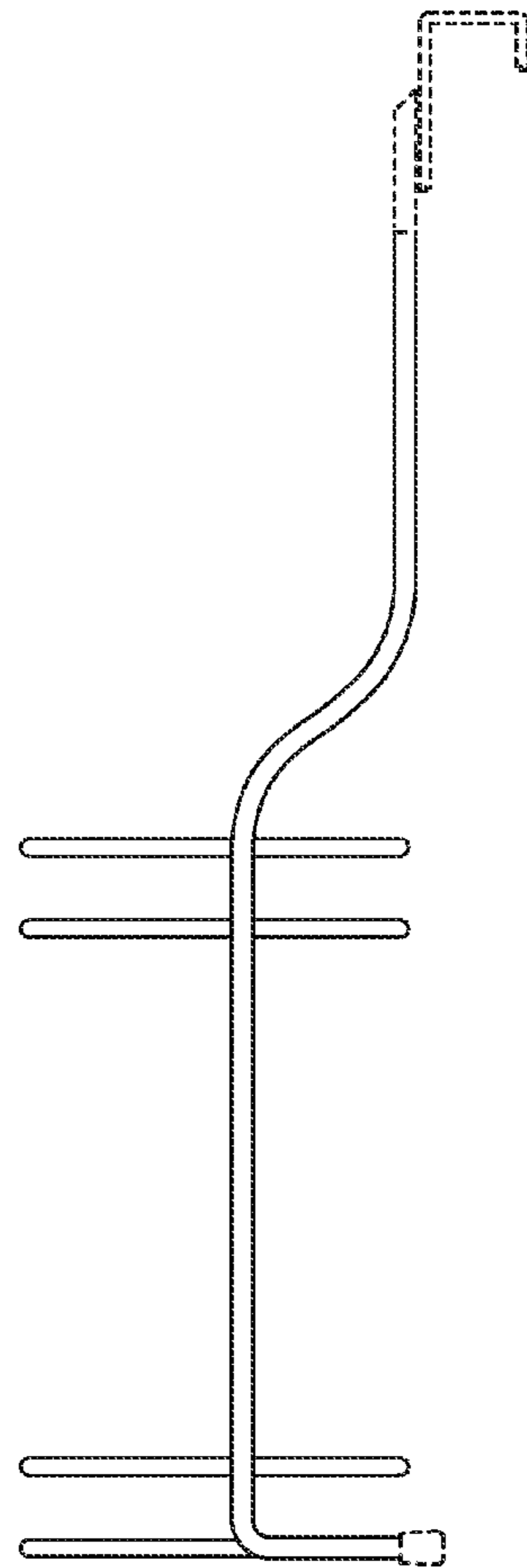


FIG. 4

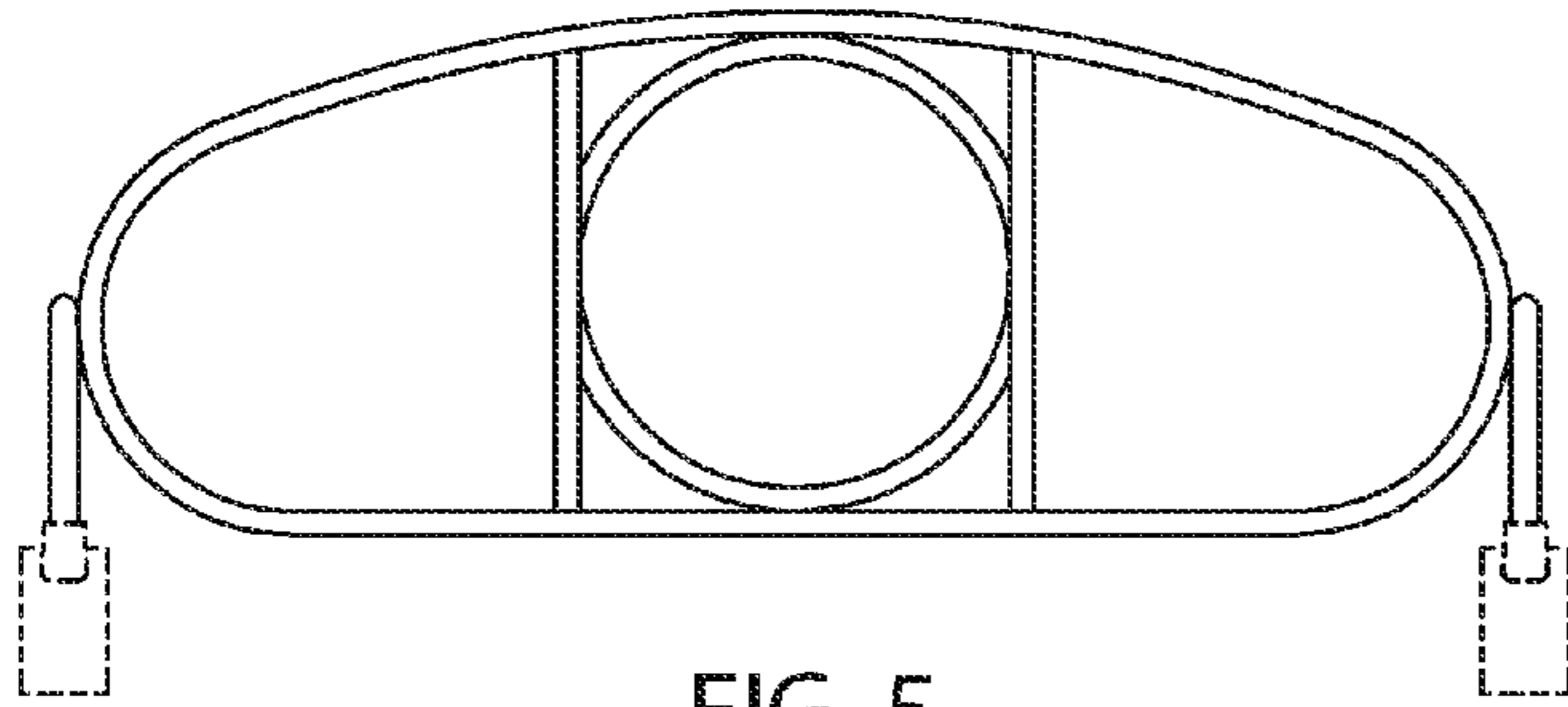


FIG. 5

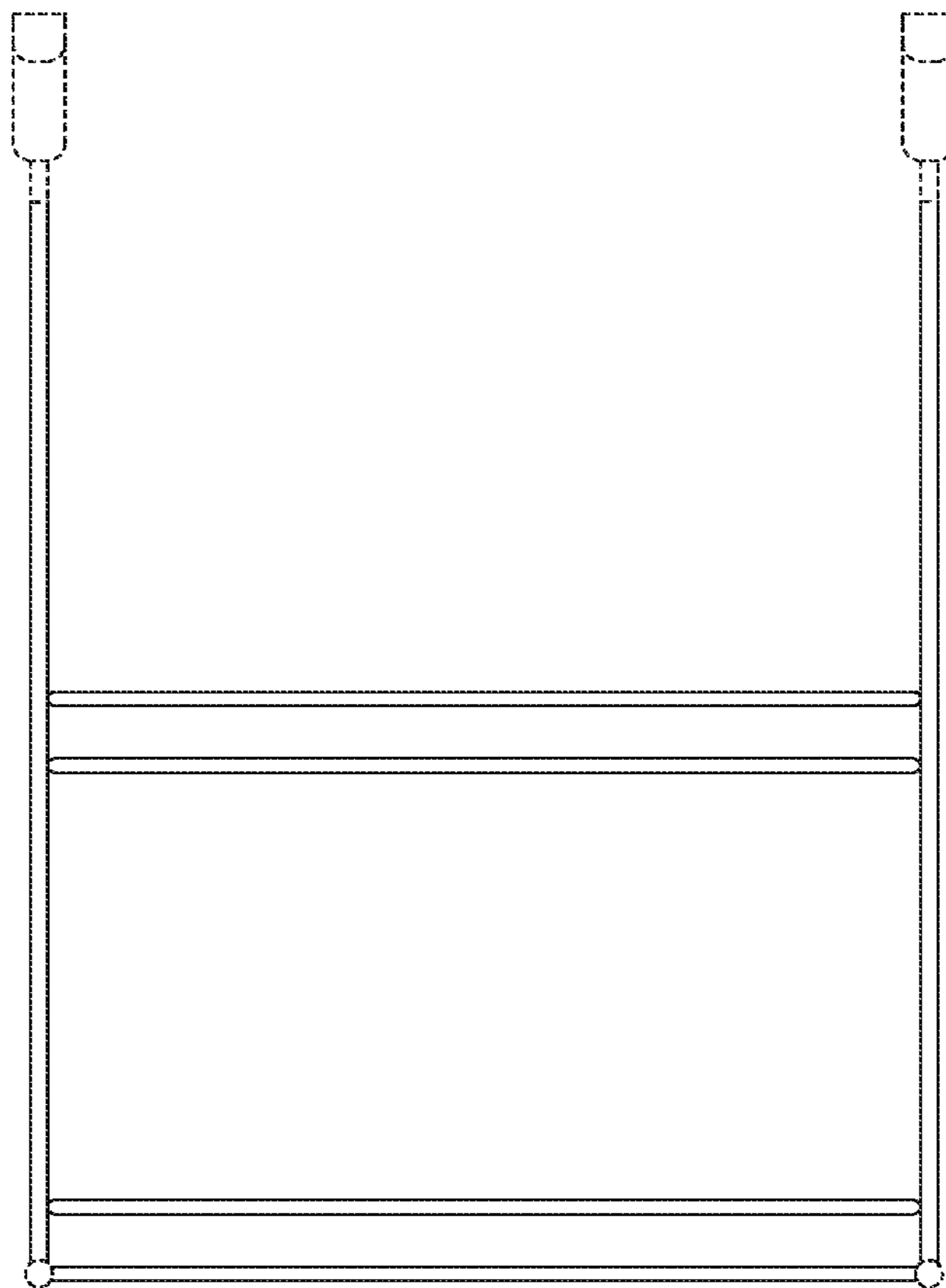


FIG. 6