



US00D759893S

(12) **United States Design Patent**
Troska

(10) **Patent No.:** **US D759,893 S**
(45) **Date of Patent:** **** Jun. 21, 2016**

(54) **NAIL POLISH HARDENING LAMP**

(56) **References Cited**

(71) Applicant: **ALESSANDRO INTERNATIONAL GMBH, Düsseldorf (DE)**

U.S. PATENT DOCUMENTS

(72) Inventor: **Silvia Troska, Düsseldorf (DE)**

D707,396 S *	6/2014	Kim	D28/54.1
D707,886 S *	6/2014	Park	D28/54.1
D707,887 S *	6/2014	Kim	D28/54.1
D707,888 S *	6/2014	Kim	D28/54.1
2014/0173927 A1 *	6/2014	Kim	A45D 29/00 34/275
2015/0153011 A1 *	6/2015	Heyer	F21L 4/08 362/190

(73) Assignee: **Alessandro International GmbH (DE)**

(**) Term: **14 Years**

* cited by examiner

(21) Appl. No.: **29/504,475**

Primary Examiner — Jennifer Rivard

(22) Filed: **Oct. 7, 2014**

(74) *Attorney, Agent, or Firm* — Mayback & Hoffman, P.A.;
Rebecca A. Tie

(30) **Foreign Application Priority Data**

(57) **CLAIM**

Aug. 15, 2014 (WO) DM/084 199

The ornamental design for a nail polish hardening lamp, as shown and described.

(51) **LOC (10) Cl.** **28-03**

DESCRIPTION

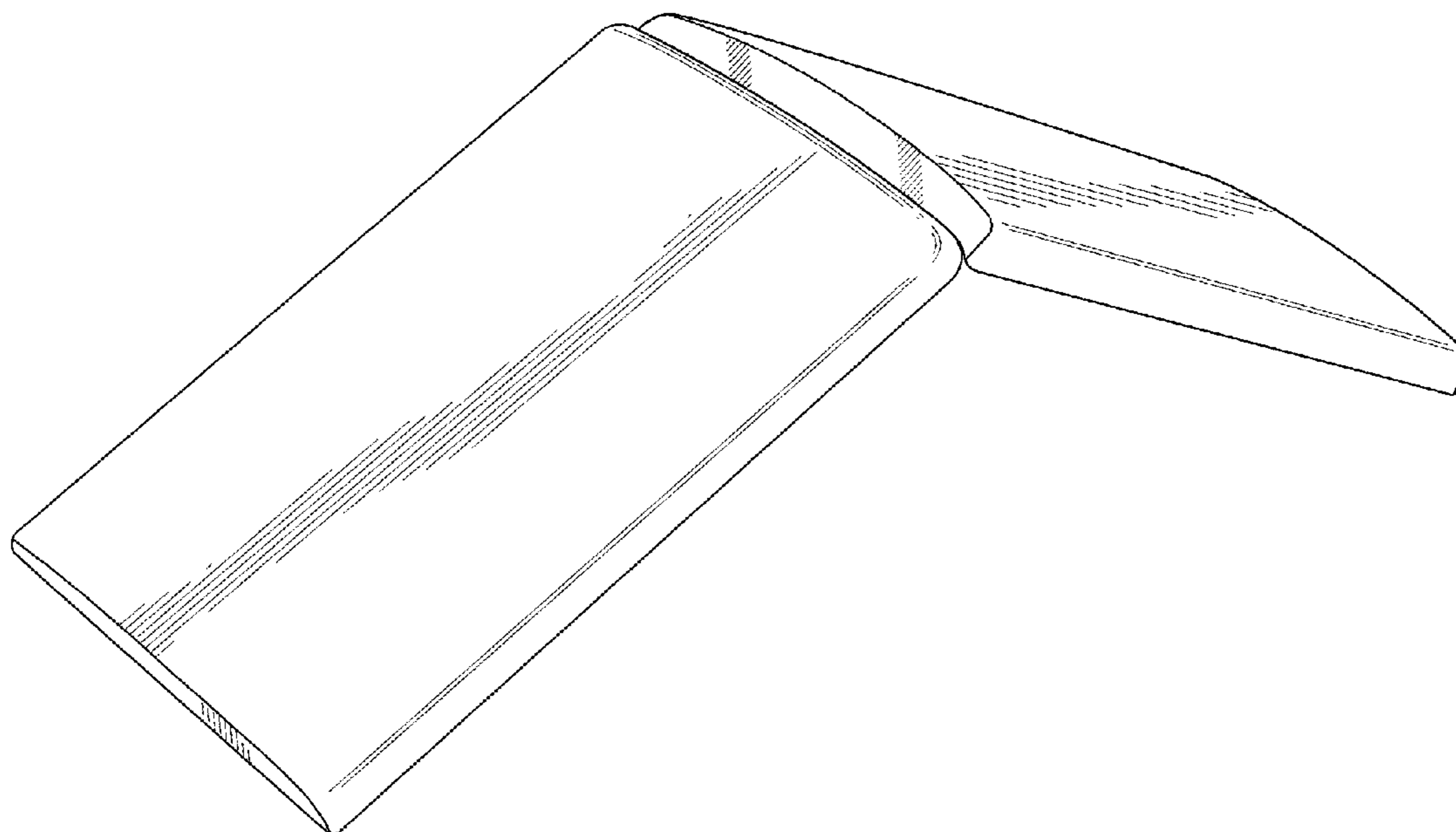
(52) **U.S. Cl.**
USPC **D28/58**

FIG. 1 is a top plan view showing my new design of a lamp in an open configuration;
FIG. 2 is a bottom plan view of the lamp of FIG. 1;
FIG. 3 is a side perspective view of the lamp of FIG. 1;
FIG. 4 is an elevational view of a left side of the lamp of FIG. 1;
FIG. 5 is an elevational view of a right side of the lamp of FIG. 1;
FIG. 6 is a front elevational view of the lamp of FIG. 1; and,
FIG. 7 is a rear elevational view of the lamp of FIG. 1.

(58) **Field of Classification Search**
USPC D28/54.1, 58; D24/210
CPC A45D 29/00; A45D 29/18; A45D 29/22;
A45D 29/001

See application file for complete search history.

1 Claim, 4 Drawing Sheets



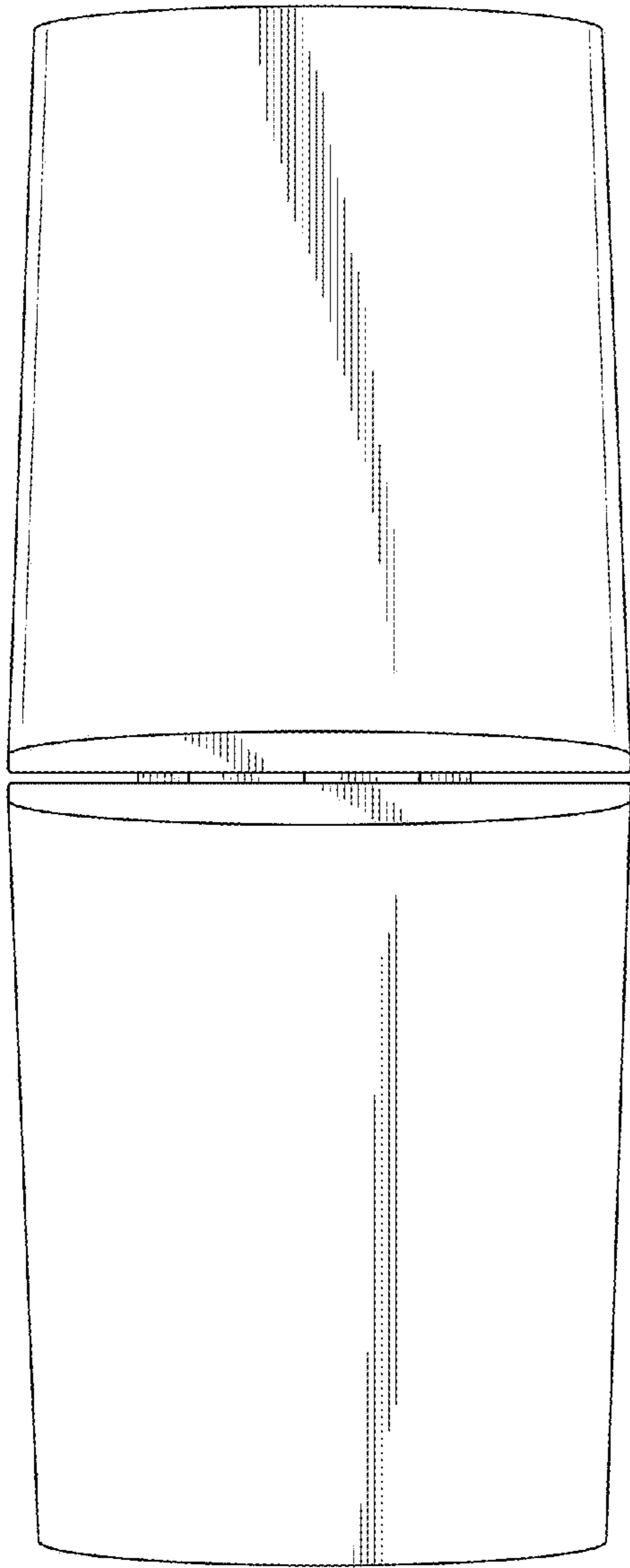


FIG. 1

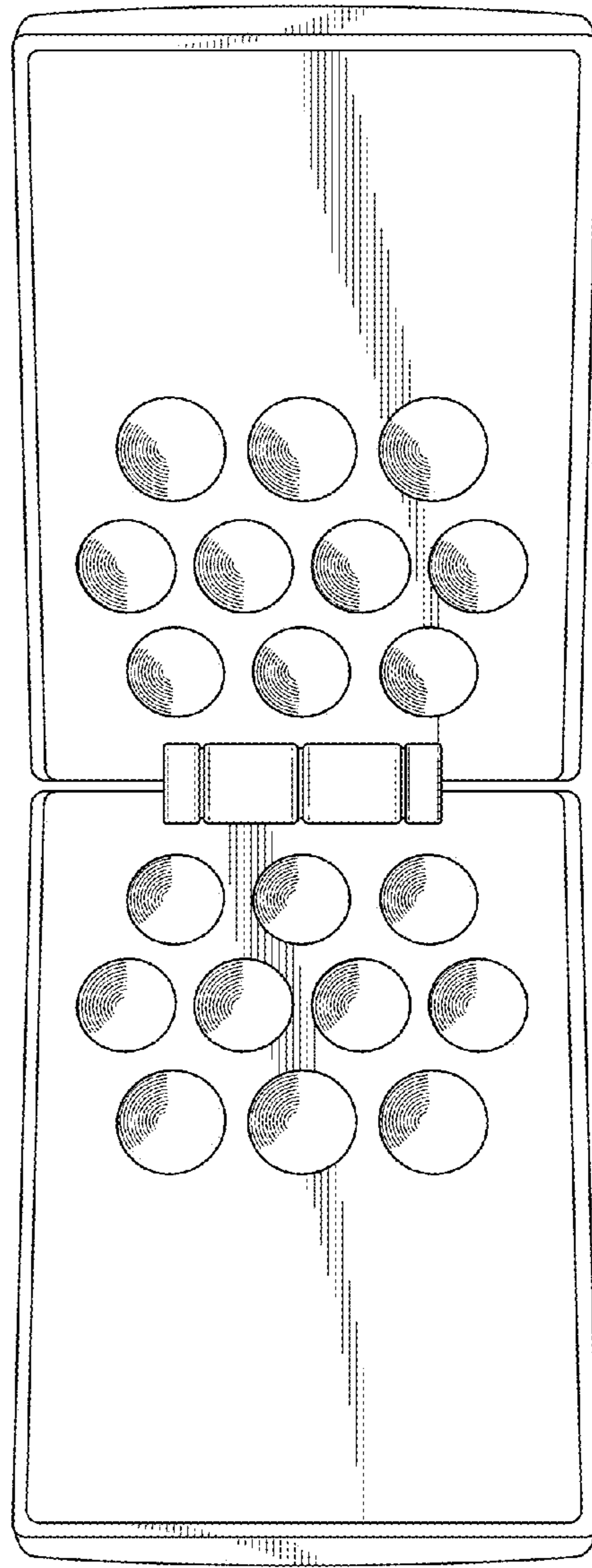


FIG. 2

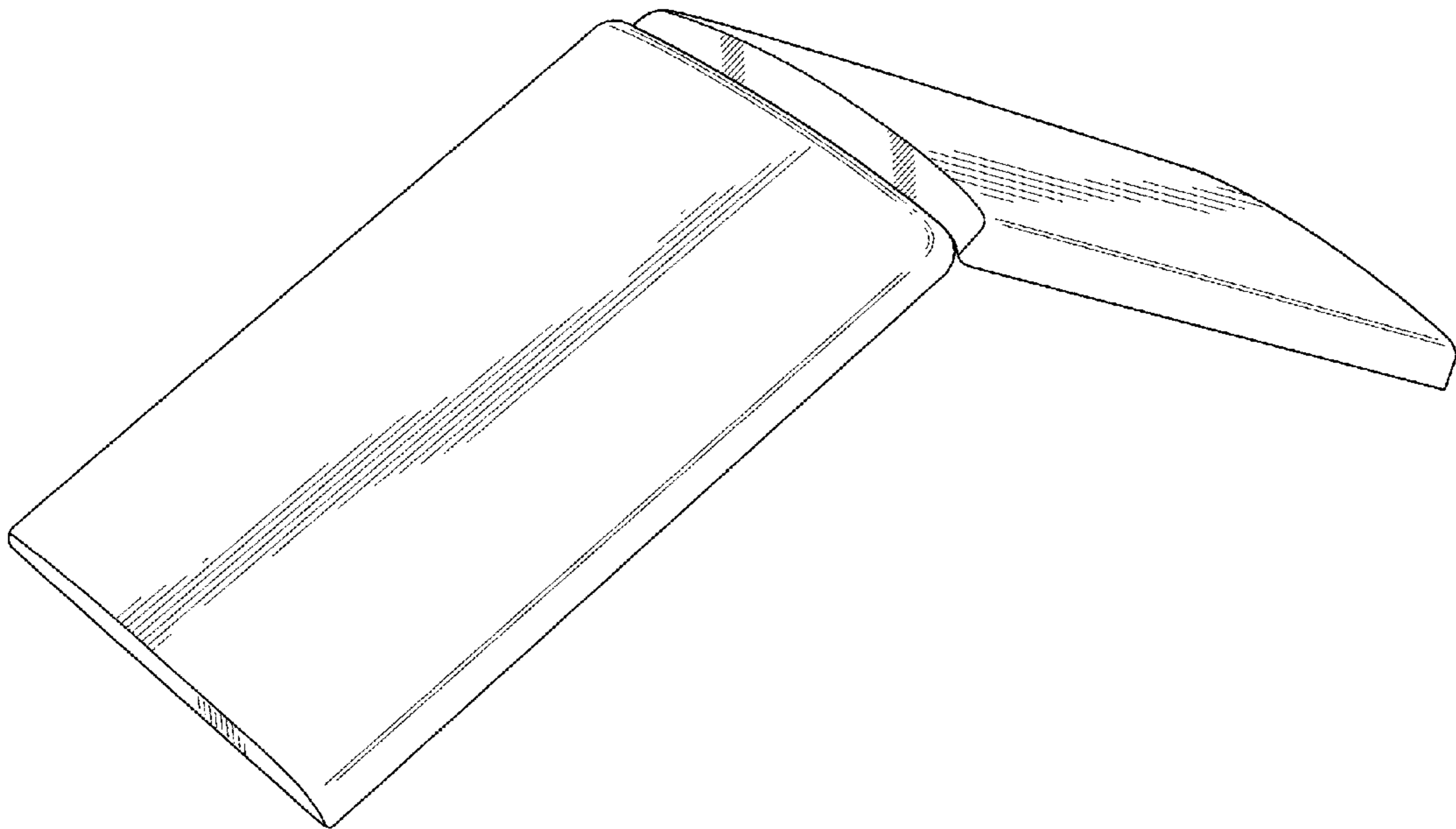


FIG. 3

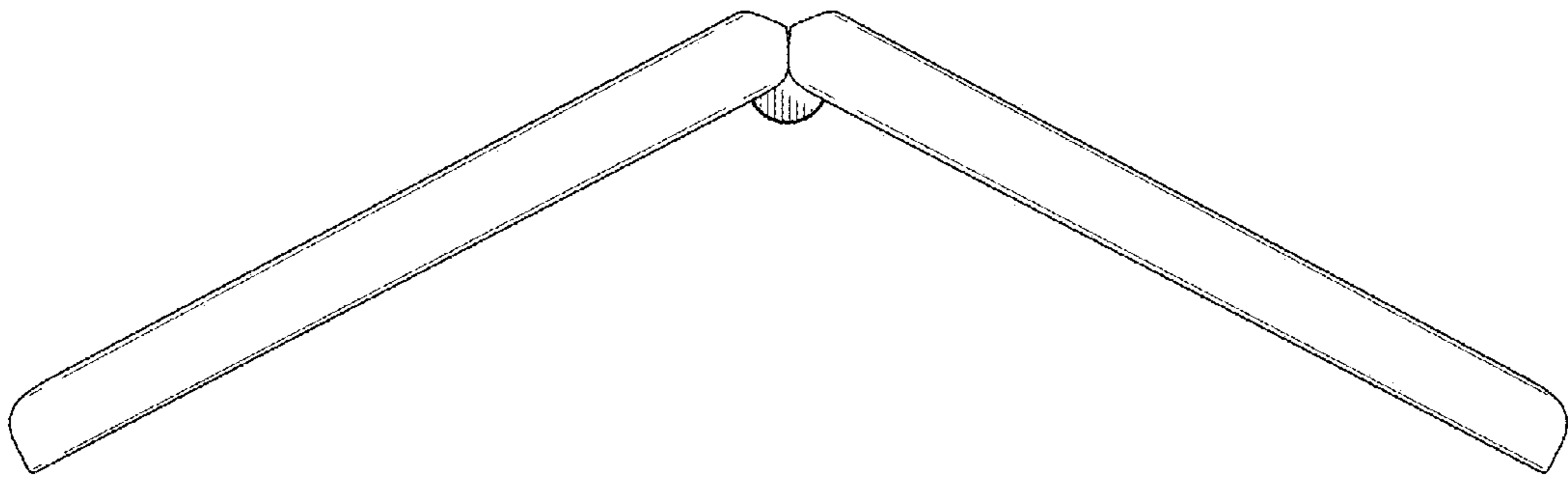


FIG. 4

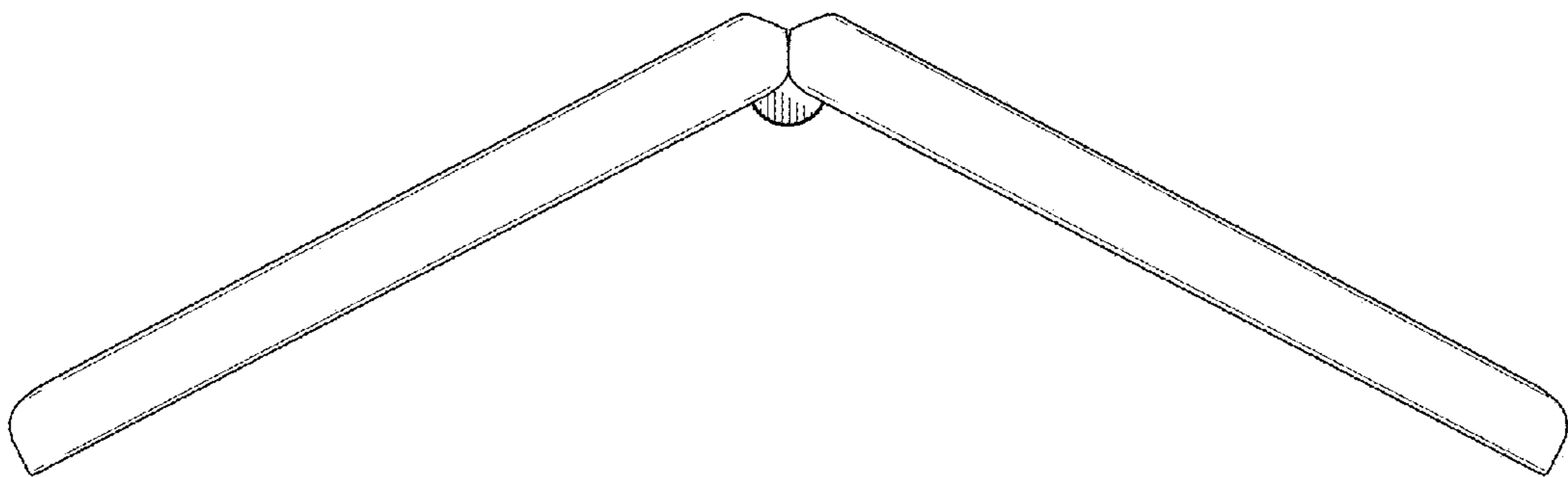


FIG. 5

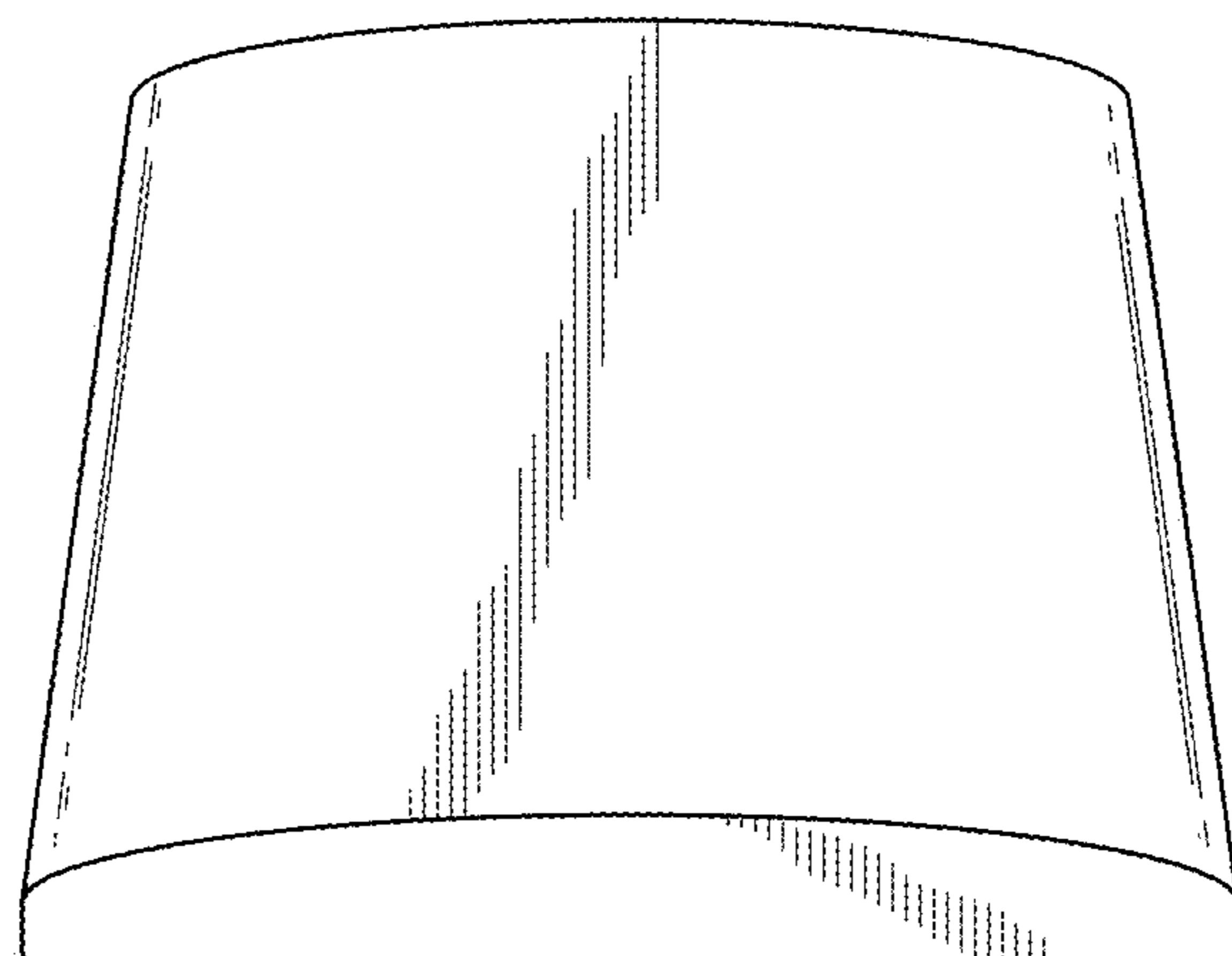


FIG. 6

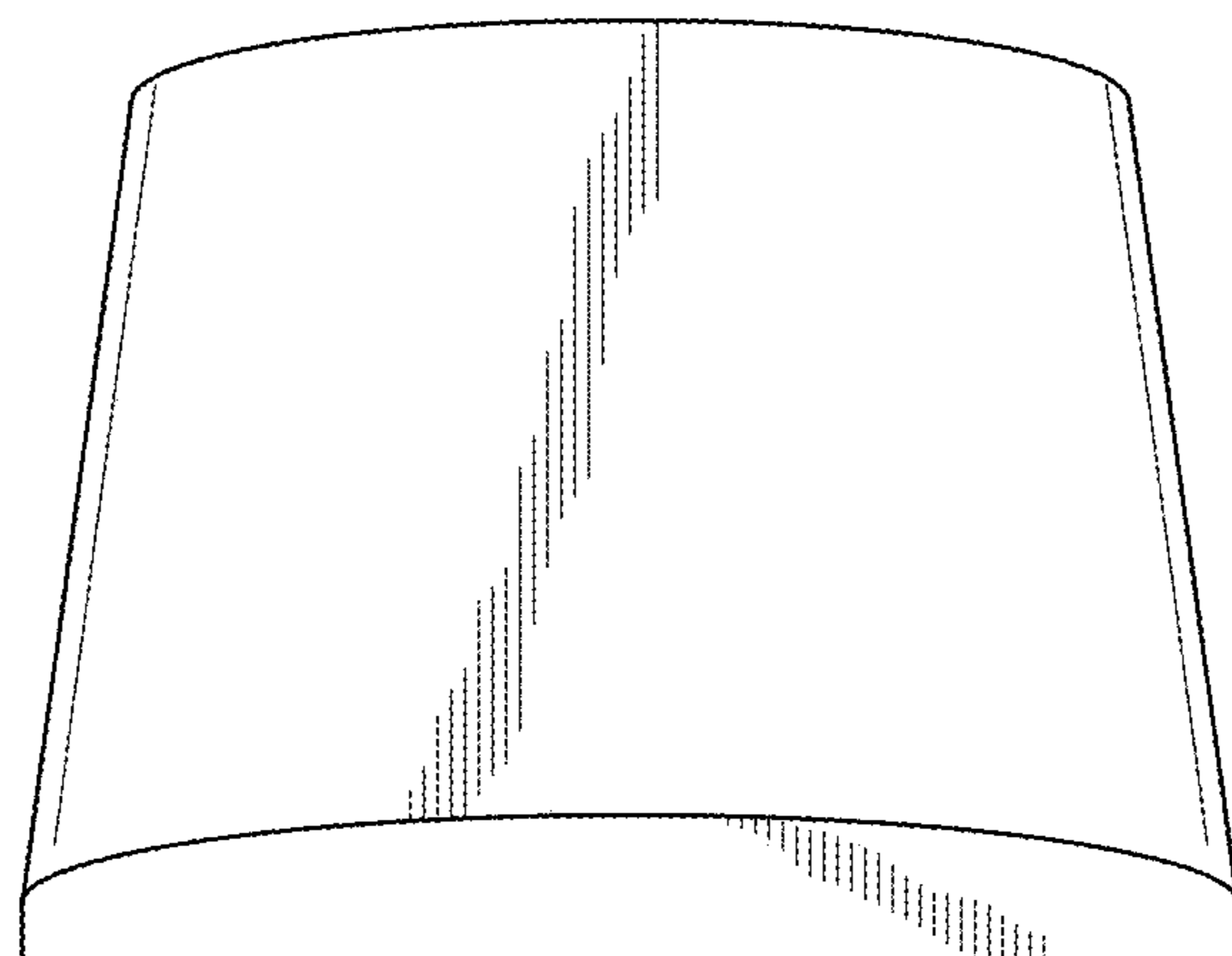


FIG. 7