



US00D759890S

(12) **United States Design Patent**  
**Yanagida**

(10) **Patent No.:** **US D759,890 S**  
(45) **Date of Patent:** **\*\* Jun. 21, 2016**

- (54) **PORTABLE ASHTRAY**
- (71) Applicant: **Keizaburo Yanagida**, Tokyo (JP)
- (72) Inventor: **Keizaburo Yanagida**, Tokyo (JP)
- (73) Assignee: **Asuka Tina Yanagida**, Brooklyn, NY (US)
- (\*\*) Term: **14 Years**
- (21) Appl. No.: **29/502,705**
- (22) Filed: **Sep. 18, 2014**
- (51) **LOC (10) Cl.** ..... **27-03**
- (52) **U.S. Cl.**  
USPC ..... **D27/129**
- (58) **Field of Classification Search**  
USPC ..... D27/129, 127, 125, 134, 136, 137, 138,  
D27/103, 102, 172, 175, 330, 101, 100;  
D34/1, 7, 8; 206/242, 246, 259;  
131/231, 240.1, 242, 329, 238, 237,  
131/178, 180; 221/213  
CPC ..... A24F 15/18; A24F 15/12; A24F 19/10  
See application file for complete search history.

- D399,596 S \* 10/1998 Underwood ..... D27/102
- D448,888 S \* 10/2001 Focke ..... D27/189
- 6,321,757 B1 \* 11/2001 McCutcheon ..... A24F 15/18  
131/231
- 7,114,504 B2 \* 10/2006 Fox ..... A24F 19/10  
131/231
- D690,461 S \* 9/2013 Chen ..... D27/187
- 2010/0313899 A1 \* 12/2010 Wu ..... A24F 15/18  
131/238

\* cited by examiner

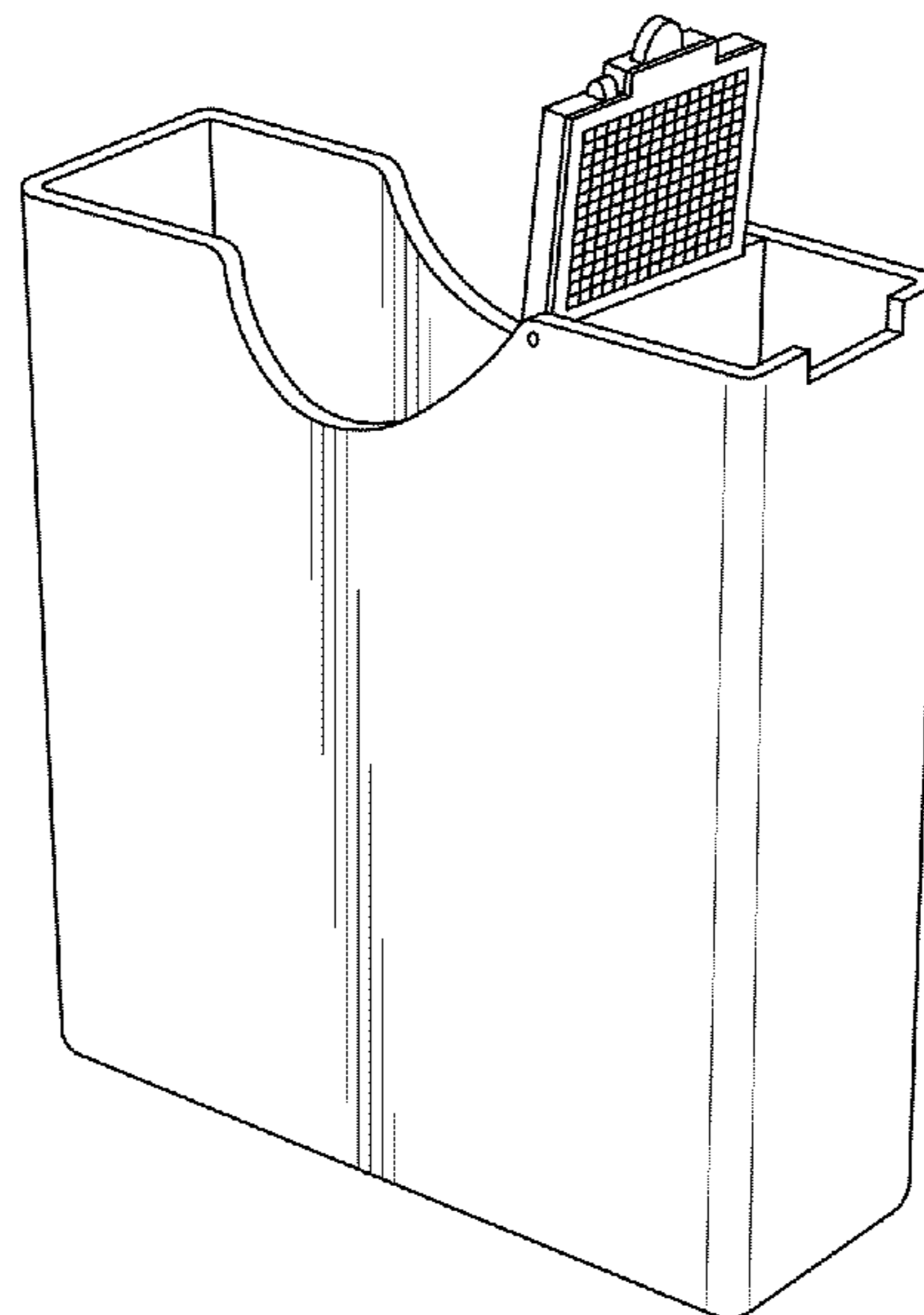
*Primary Examiner* — Susan Bennett Hattan  
*Assistant Examiner* — Rebecca Tsehaye  
(74) *Attorney, Agent, or Firm* — Lucas & Mercanti LLP;  
Donald Lucas

(57) **CLAIM**  
The ornamental design for a portable ashtray, as shown and described.

**DESCRIPTION**  
FIG. 1 is a front perspective view of a portable ashtray in an open condition;  
FIG. 2 is a front perspective view of the portable ashtray in a closed condition;  
FIG. 3 is a front view of the portable ashtray;  
FIG. 4 is a right side view of the portable ashtray;  
FIG. 5 is a left side view of the portable ashtray;  
FIG. 6 is a top view of the portable ashtray;  
FIG. 7 is a bottom view of the portable ashtray; and,  
FIG. 8 is a front perspective view of the portable ashtray in use.  
The broken lines in FIG. 7 depict a portion of the portable ashtray that forms no part of the claimed design. The broken lines in FIG. 8 depict environment that forms no part of the claimed design.

- (56) **References Cited**  
U.S. PATENT DOCUMENTS  
3,743,136 A \* 7/1973 Chambers ..... A24F 15/12  
206/259  
4,789,059 A \* 12/1988 Kim ..... B65D 85/1081  
206/246  
D370,301 S \* 5/1996 Murphy ..... D27/175  
5,520,196 A \* 5/1996 Yang ..... A24F 15/18  
131/238

**1 Claim, 5 Drawing Sheets**



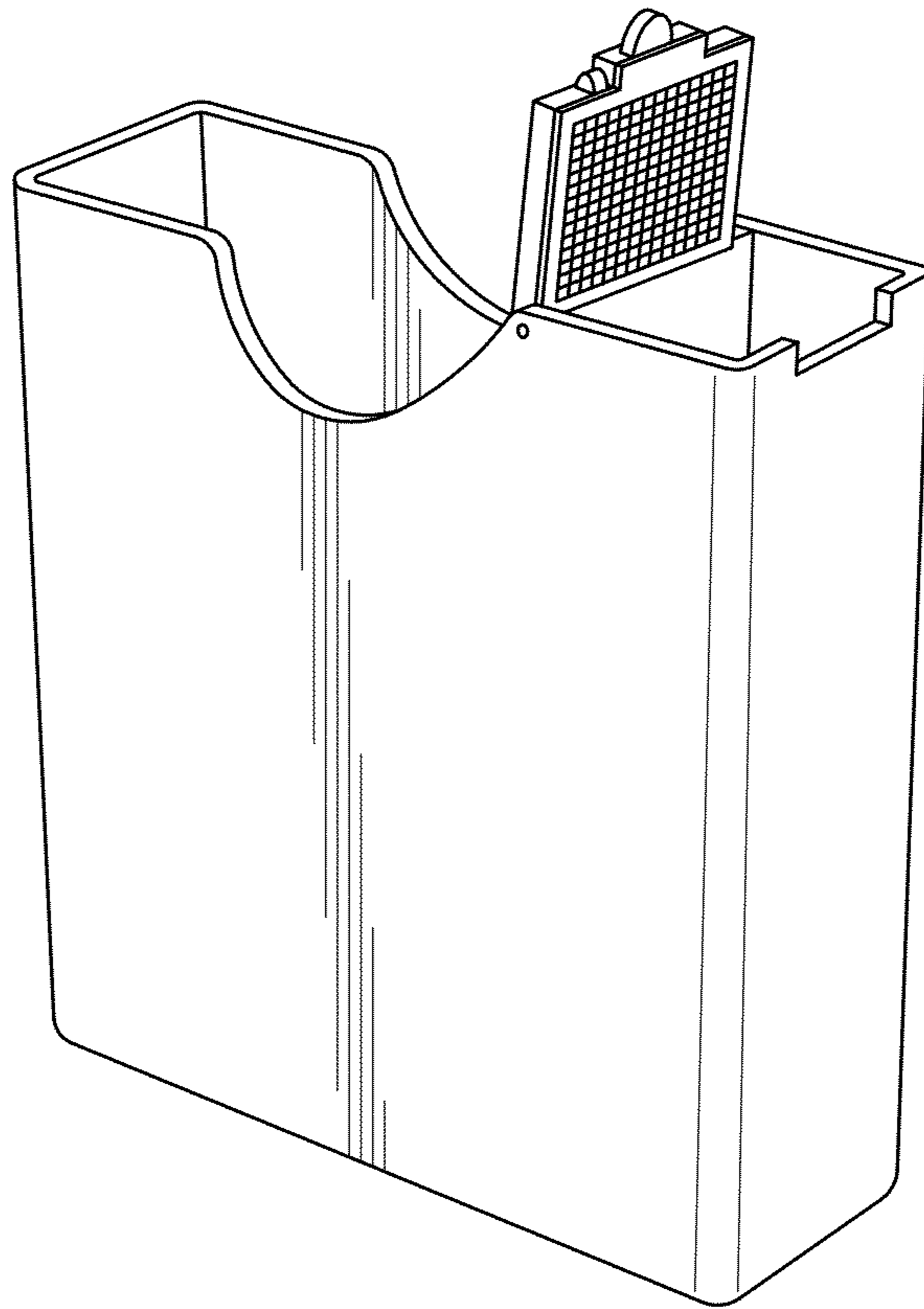


FIG. 1

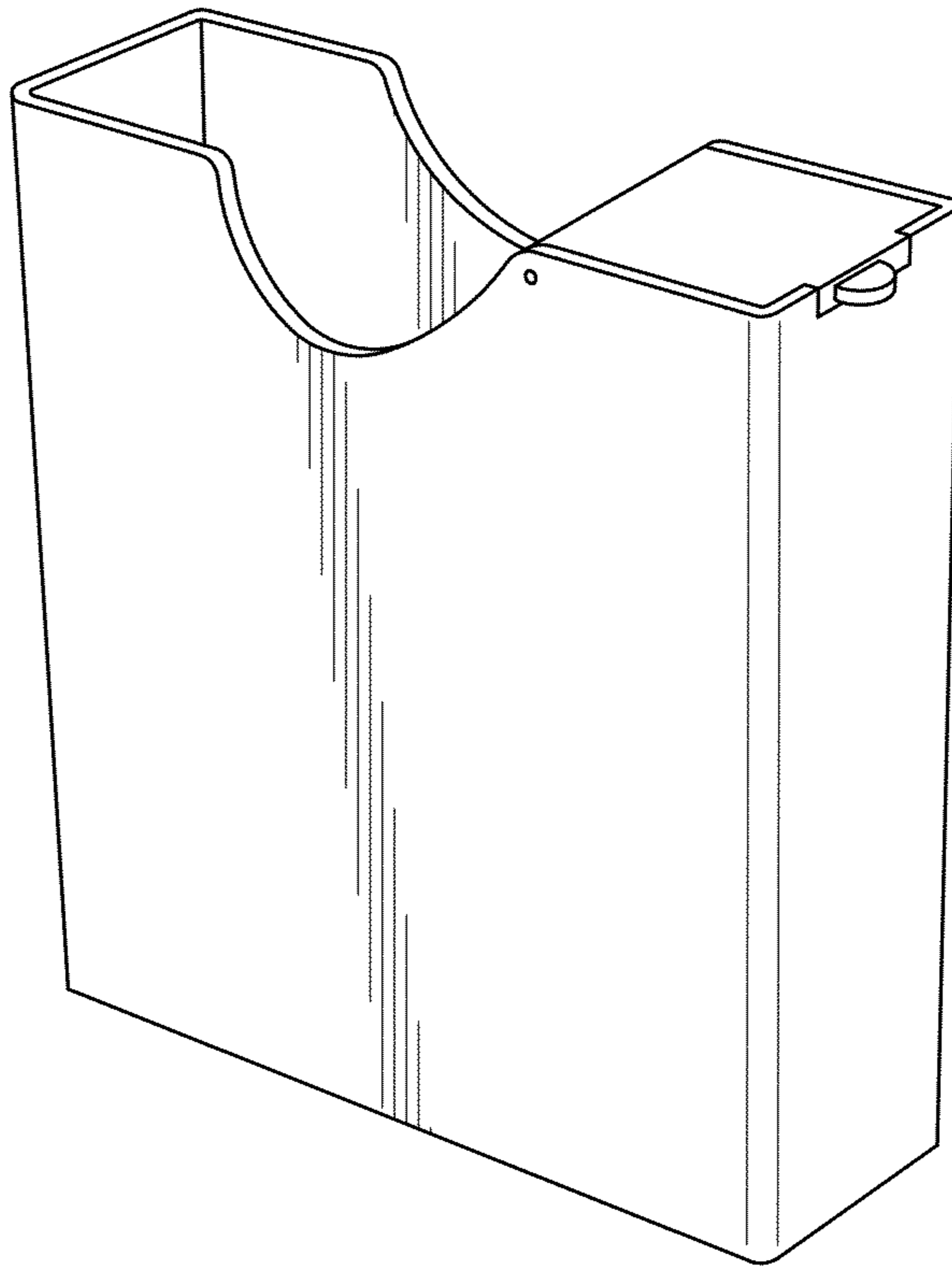


FIG. 2

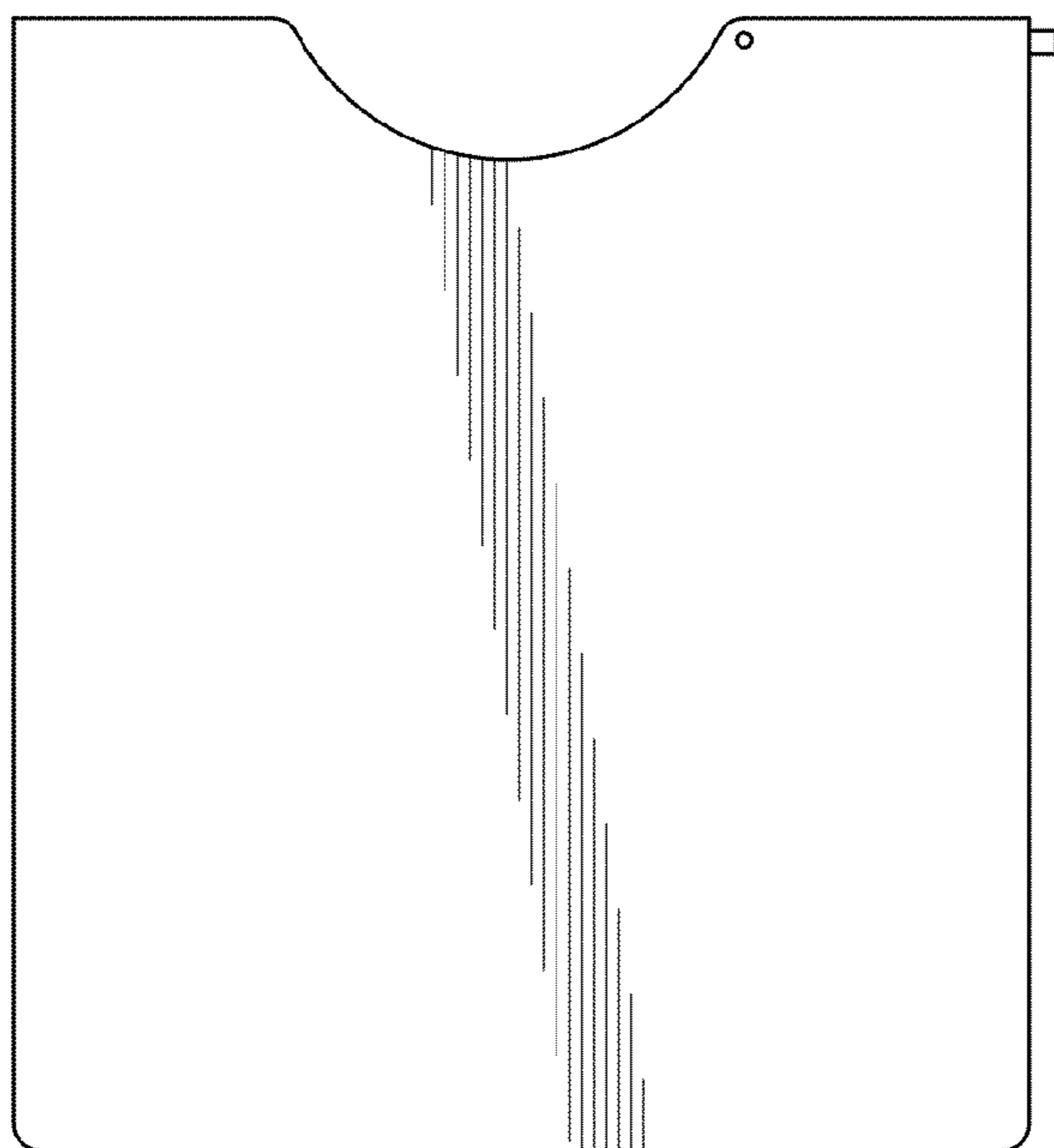


FIG. 3

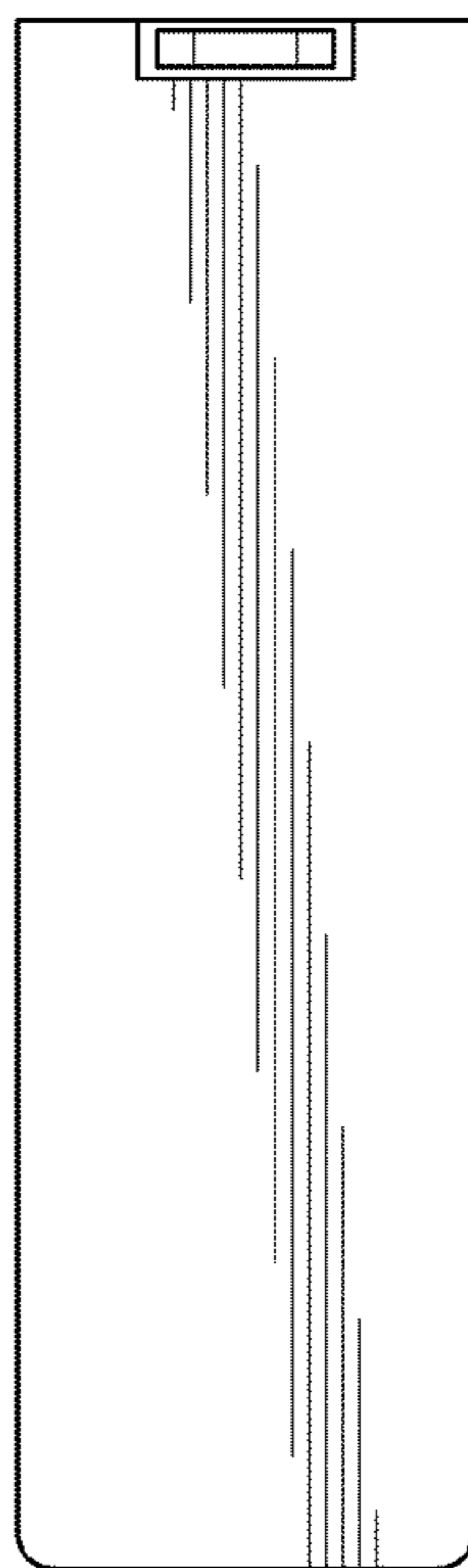


FIG. 4



FIG. 5

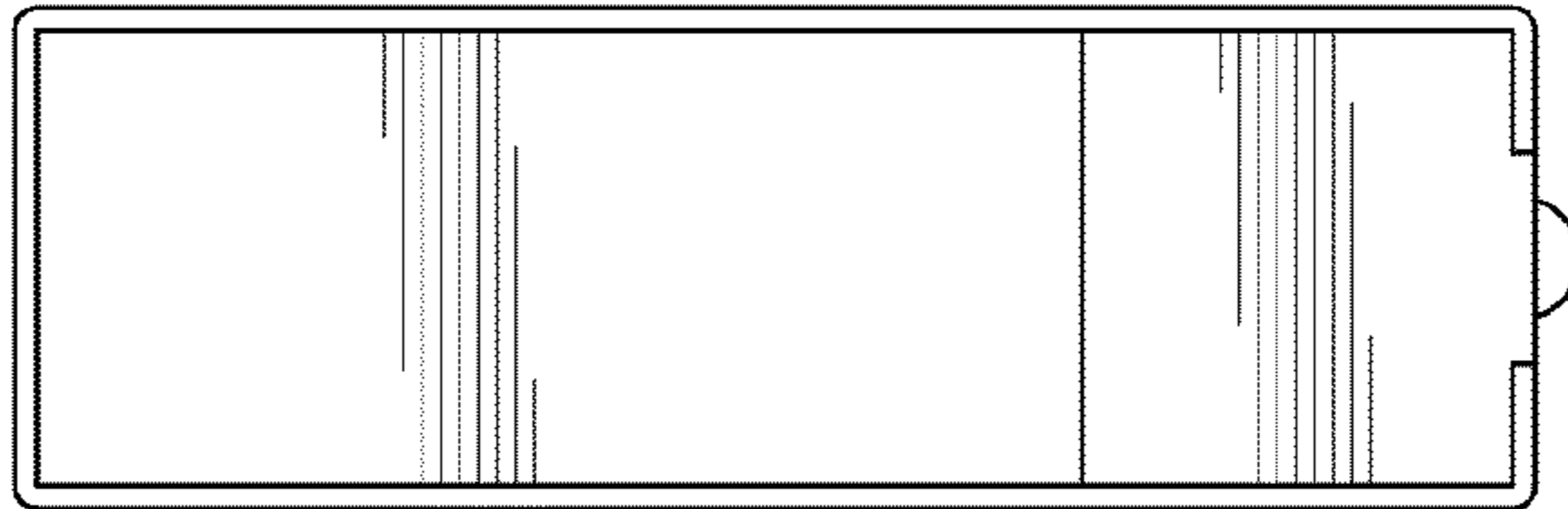


FIG. 6



FIG. 7

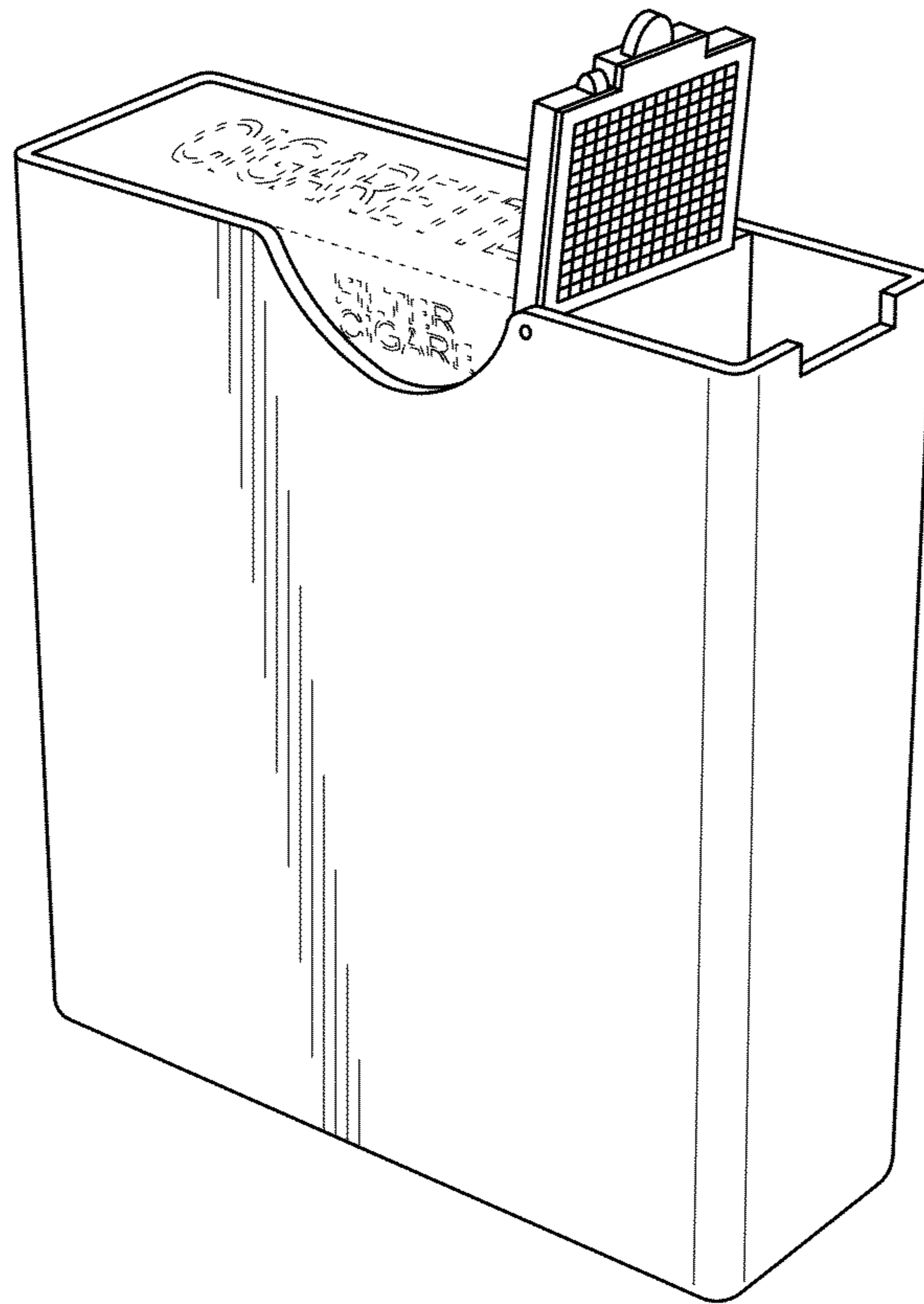


FIG. 8