



US00D759886S

(12) **United States Design Patent**
Seehof et al.

(10) **Patent No.:** **US D759,886 S**
(45) **Date of Patent:** **** Jun. 21, 2016**

(54) **DUAL LIT GRAB RAIL**

(71) Applicant: **Hansen International, Inc.**, Lexington, SC (US)

(72) Inventors: **John J. Seehof**, Blythewood, SC (US);
Sean T. Burns, Lexington, SC (US);
Jeffery W. Berry, Brevard, NC (US)

(73) Assignee: **Hansen International, Inc.**, Lexington, SC (US)

(**) Term: **14 Years**

(21) Appl. No.: **29/524,314**

(22) Filed: **Apr. 20, 2015**

Related U.S. Application Data

(62) Division of application No. 29/507,838, filed on Oct. 31, 2014, now Pat. No. Des. 751,243.

(51) **LOC (10) Cl.** **26-99**

(52) **U.S. Cl.**
USPC **D26/118**; D25/41.1

(58) **Field of Classification Search**
USPC D26/25–26, 28, 51, 55–57, 59–64, 66, D26/72–91, 93, 113, 118–120, 122, 138, D26/140–142; D25/38.1, 40, 41.1, 43, 44; 362/145–148, 150–153, 153.1, 217.01, 362/217.02, 217.05, 217.07, 217.1, 217.15, 362/218, 223, 241, 249, 249.02, 296.07, 362/296.08, 294, 299, 311.02, 362, 373, 362/600, 608, 609, 640, 641; 256/59; 182/106, 113; 4/511; 211/124, 123, 211/100; D8/300, 303, 315; D6/549; D21/673
CPC ... E04F 11/1804; E04F 11/18; E04F 11/1802; E04F 11/1836; E04F 2011/1885; E04F 2011/1872; E06C 7/181; E06C 7/182; E06C 7/183; E06C 7/187; B60Q 3/0233; B60Q 1/24; B60Q 1/2661; B60Q 2400/40; F21Y 2103/00; F21Y 2101/02; F21W 2111/08;

F21V 21/14; F21V 21/30; F21V 21/02;
F21V 21/04; F21V 33/006; F21V 15/01;
F21V 7/0008; F21S 4/008

See application file for complete search history.

(56) **References Cited**

U.S. PATENT DOCUMENTS

1,915,112 A * 6/1933 Wittstein A47K 10/04
D6/549
D137,334 S * 2/1944 Siemens D26/119
D161,700 S * 1/1951 Marker D26/76

(Continued)

Primary Examiner — Cynthia Ramirez

Assistant Examiner — Llorellys Martinez-Rivera

(74) *Attorney, Agent, or Firm* — JK Intellectual Property Law, PA

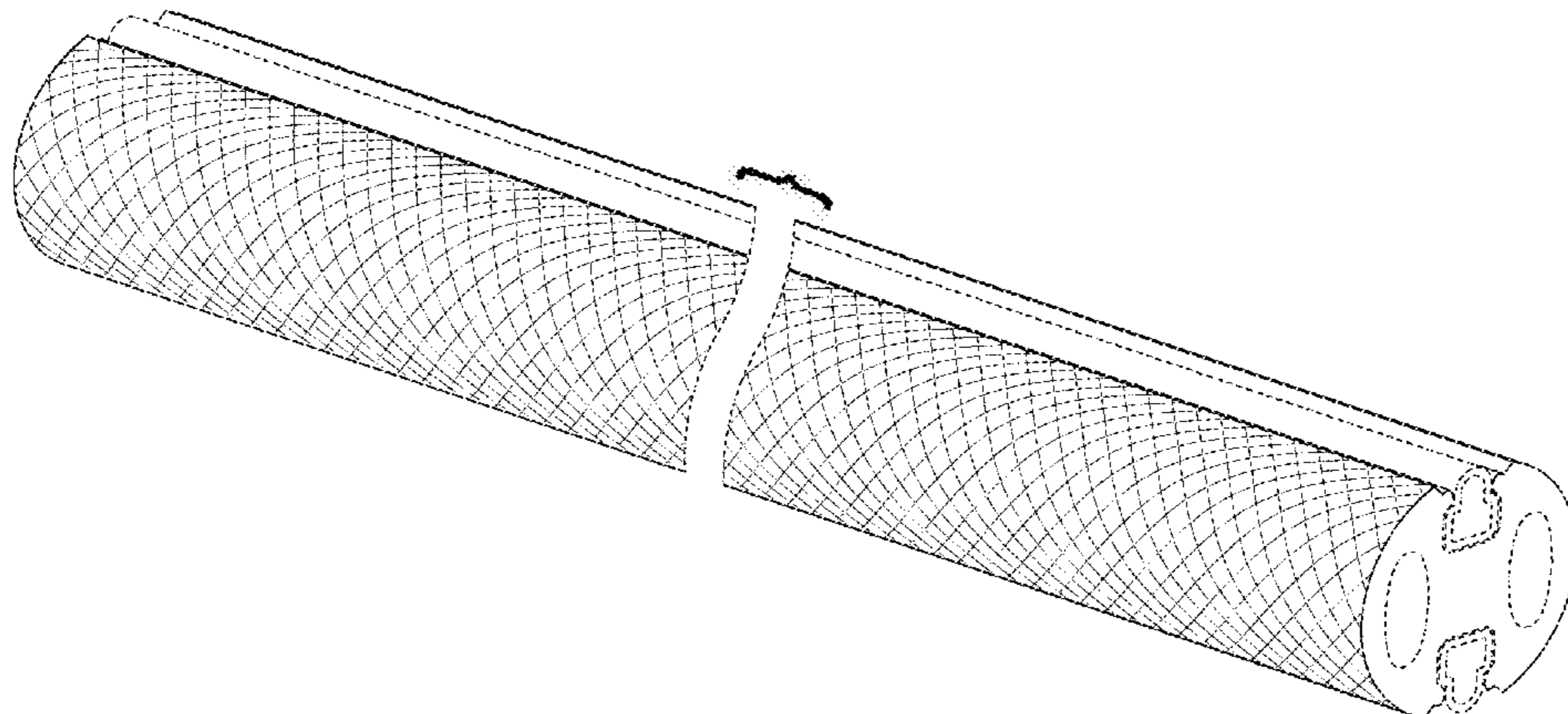
(57) **CLAIM**

The ornamental design for a dual lit grab rail, as shown and described.

DESCRIPTION

FIG. 1 is a perspective view of a dual lit grab rail showing our new design;
FIG. 2 is a right side view thereof;
FIG. 3 is a left side view thereof;
FIG. 4 is a top view thereof;
FIG. 5 is a bottom view thereof;
FIG. 6 is an end view thereof;
FIG. 7 is an opposite end view thereof; and,
FIG. 8 is another perspective view thereof, showing the dual lit grab rail in an environment of use.
The broken lines shown in FIGS. 1-8 illustrate portions of the dual lit grab rail which do not form part of the claimed design. The dual lit rail is shown with a symbolic break lines along its length. The appearance of any portion of the dual lit rail between the break lines forms no part of the claimed design.

1 Claim, 5 Drawing Sheets



(56)

References Cited

U.S. PATENT DOCUMENTS

3,569,689	A *	3/1971	Nestrock	F21V 33/006 362/146	D591,427	S *	4/2009	Stimpson	D25/41.1
4,895,332	A *	1/1990	Hansen	A47K 3/003 256/59	D608,018	S *	1/2010	Stimpson	D25/41.1
5,200,240	A *	4/1993	Baker	E04F 11/18 256/59	D621,955	S	8/2010	Seehof	
D389,460	S *	1/1998	Wei-Hong	D13/155	D630,768	S *	1/2011	Witiak	D25/41.1
5,779,228	A *	7/1998	Hansen	B60Q 3/0233 256/59	D647,213	S	10/2011	Seehof	
D474,281	S	5/2003	Hansen		D647,214	S	10/2011	Seehof	
D509,906	S *	9/2005	Enersen	D25/38.1	D647,215	S	10/2011	Seehof	
7,226,191	B1 *	6/2007	Martinez	B60N 3/026 362/400	D647,629	S	10/2011	Seehof	
D550,885	S *	9/2007	Crosby	D26/75	D647,630	S	10/2011	Seehof	
D564,854	S *	3/2008	Thompson	D8/300	D647,631	S	10/2011	Seehof	
					D648,039	S	11/2011	Seehof	
					D681,873	S *	5/2013	Hoch	D26/141
					8,567,986	B2 *	10/2013	Szprengiel	F21S 8/043 362/217.01
					D745,362	S *	12/2015	Grasselli	D8/315
					2013/0182428	A1	7/2013	Seehof et al.	
					2016/0033107	A1 *	2/2016	Windom	F21V 5/006 362/184

* cited by examiner

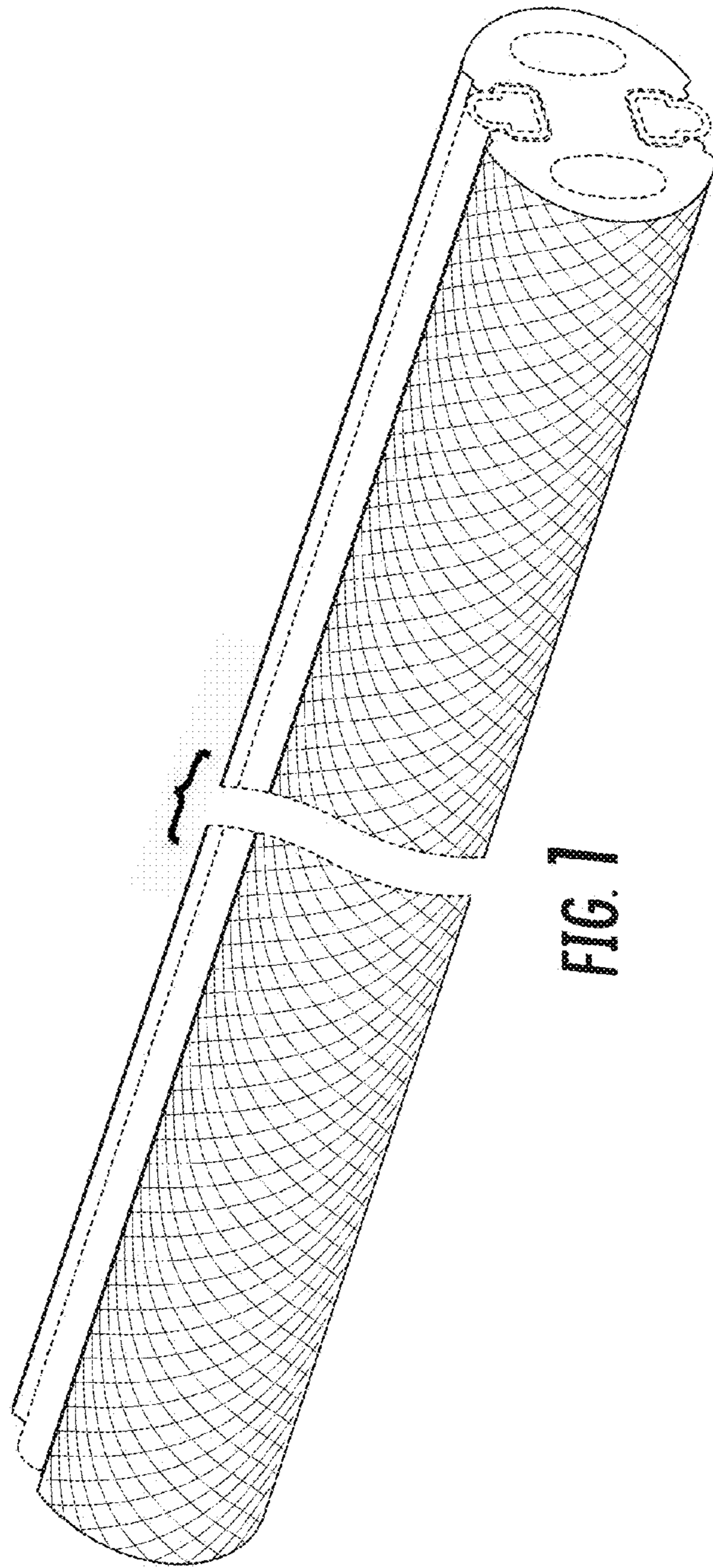


FIG. 1

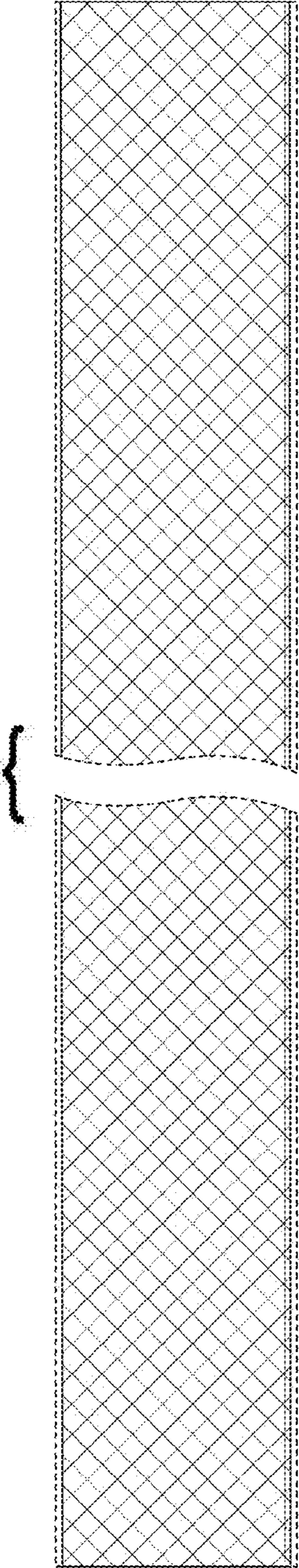


FIG. 2

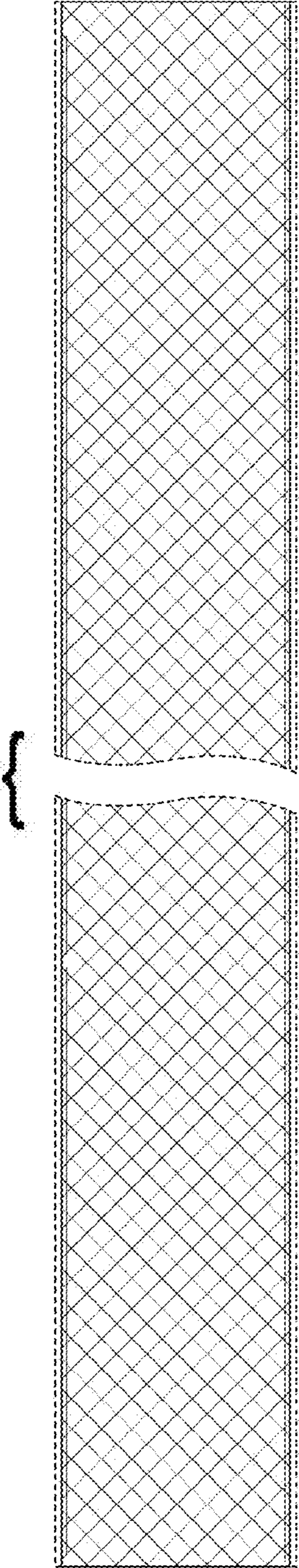


FIG. 3

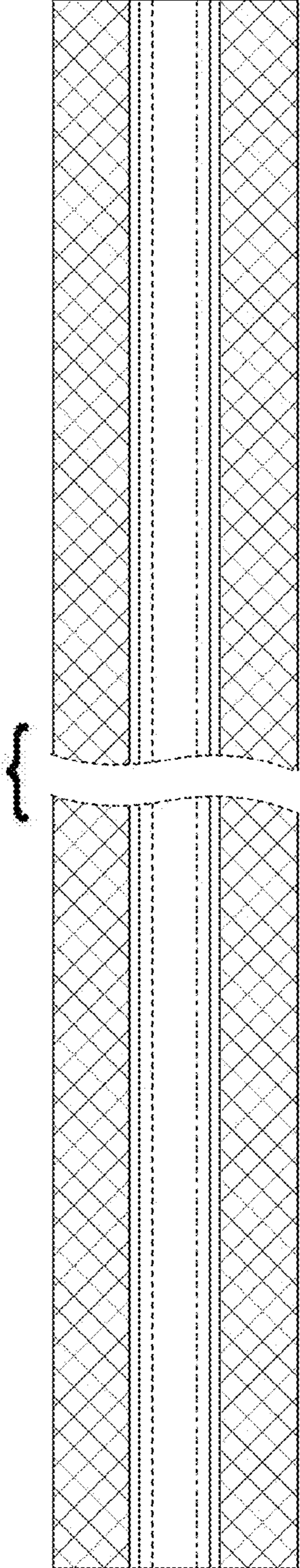


FIG. 4

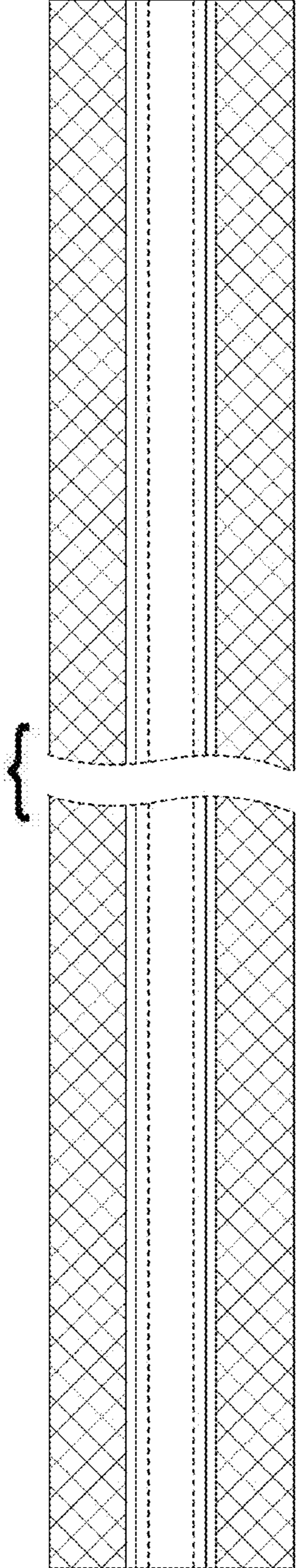


FIG. 5

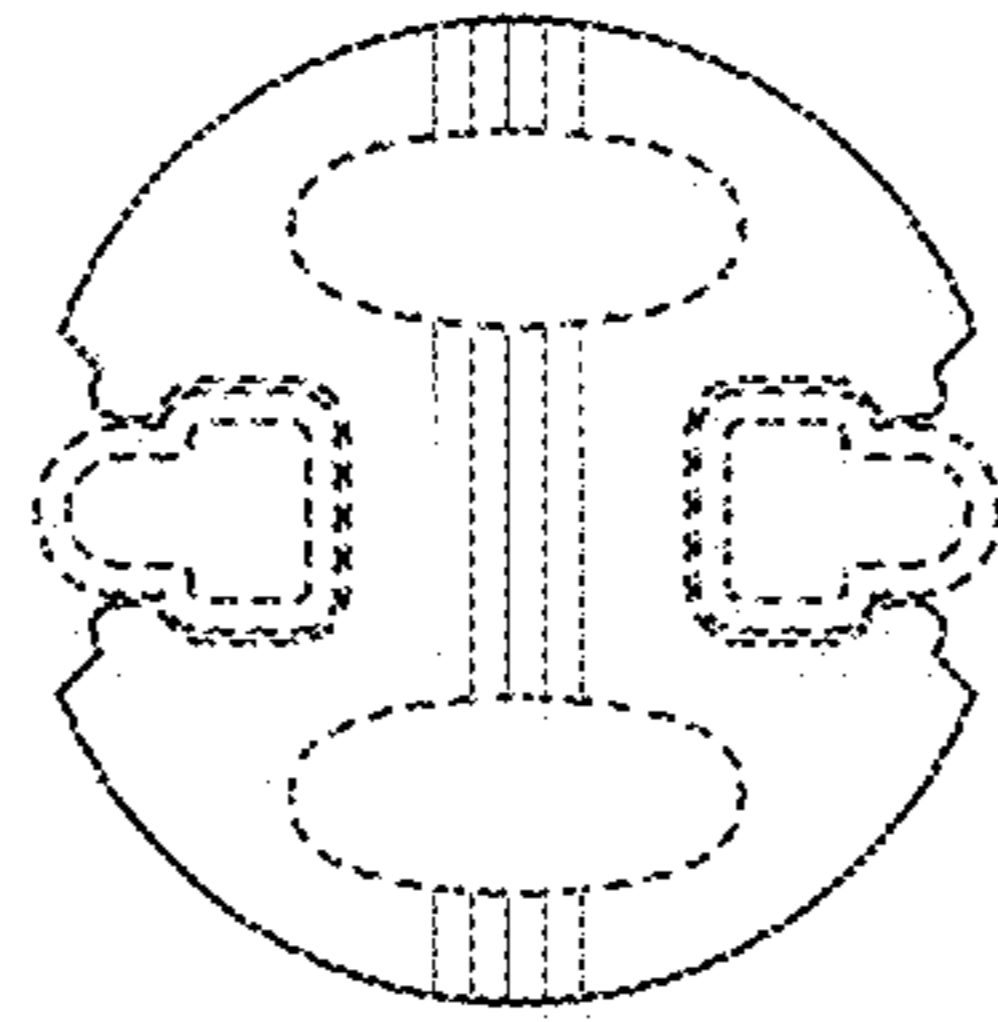


FIG. 6

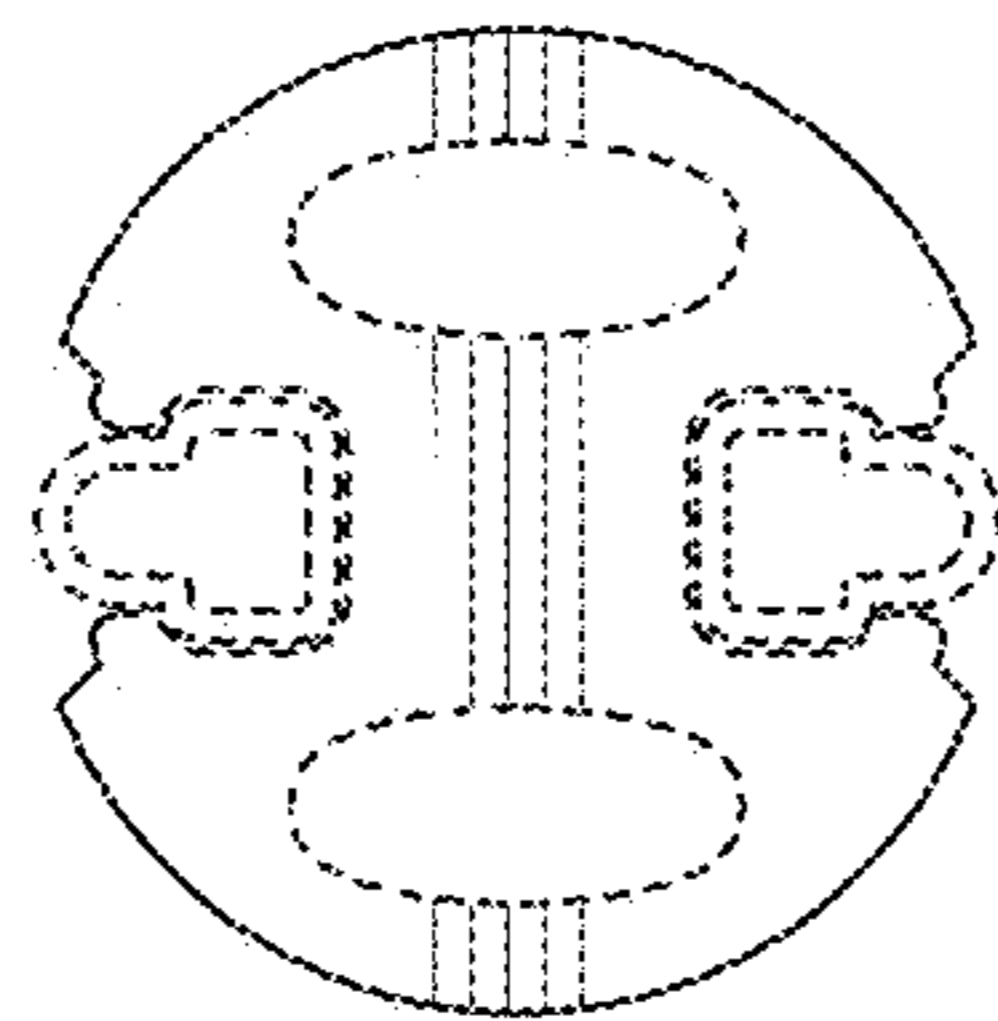


FIG. 7

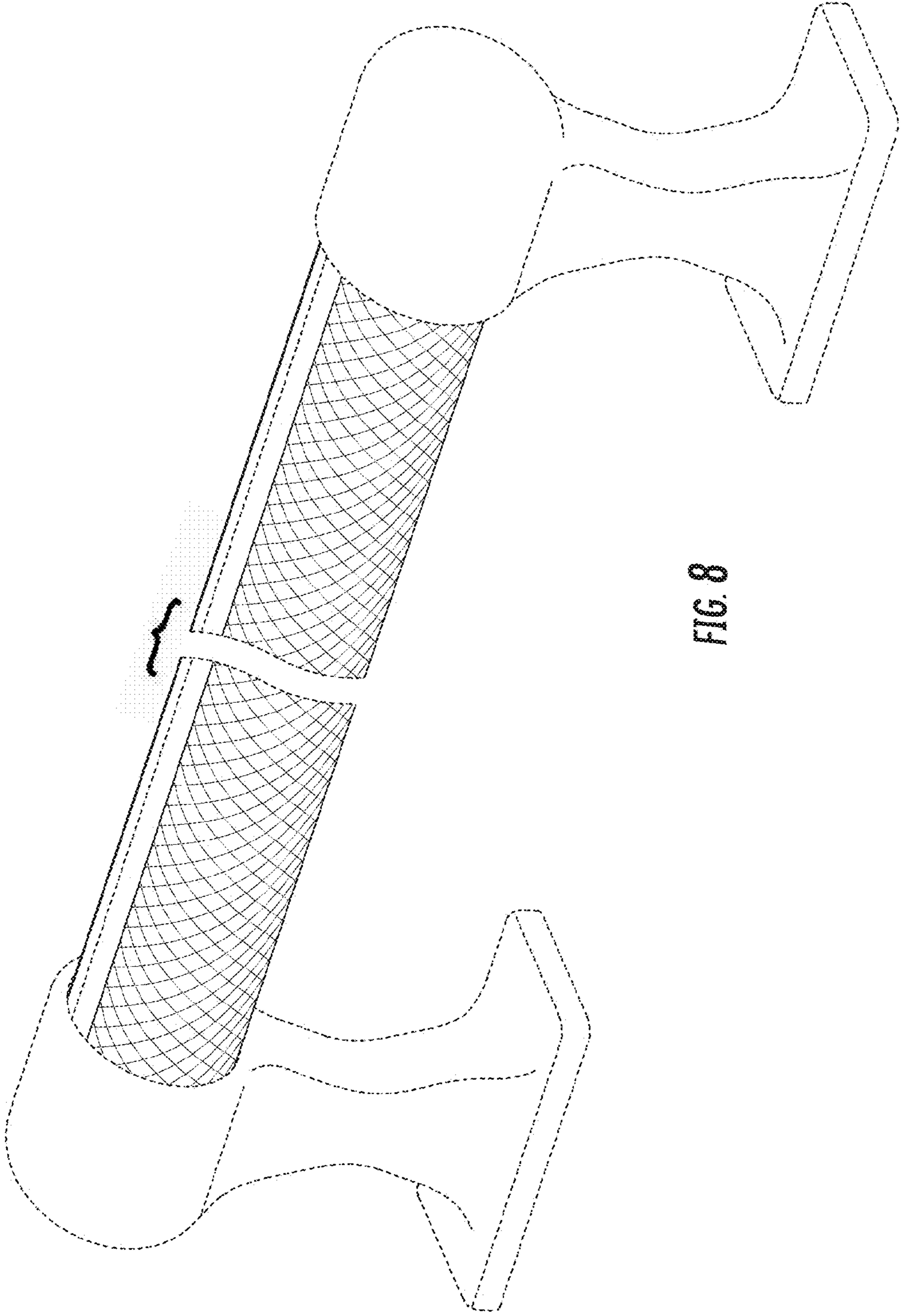


FIG. 8