



US00D759883S

(12) **United States Design Patent**  
**Boule**

(10) **Patent No.:** **US D759,883 S**  
(45) **Date of Patent:** **\*\* Jun. 21, 2016**

(54) **LIGHT FIXTURE**

(71) Applicant: **Clifford Scott Boule**, North Vancouver (CA)

(72) Inventor: **Clifford Scott Boule**, North Vancouver (CA)

(\*\*) Term: **14 Years**

(21) Appl. No.: **29/518,528**

(22) Filed: **Feb. 24, 2015**

(51) **LOC (10) Cl.** ..... **26-03**

(52) **U.S. Cl.**  
USPC ..... **D26/107**

(58) **Field of Classification Search**  
USPC ..... D26/24, 93, 106, 107, 108, 110, 112, D26/62, 65  
CPC ..... F21S 6/00; F21S 6/002; F21S 8/043; F21S 8/08; F21V 21/02; F21V 21/116; F21W 2131/30; F21Y 2105/00  
See application file for complete search history.

(56) **References Cited**

**U.S. PATENT DOCUMENTS**

D513,088 S	*	12/2005	Baarman	.....	D26/106
D537,975 S	*	3/2007	Chandler	.....	D26/107
D589,645 S	*	3/2009	Citterio	.....	D26/107
D709,235 S	*	7/2014	Chu	.....	D26/65
D744,692 S	*	12/2015	Poulton	.....	D26/107

**OTHER PUBLICATIONS**

Amazon, Pillar Walnut Wood Modern Floor Lamp, catalog, 2015, United States <http://www.amazon.com/Pillar-Walnut-Wood-Modern-Floor/dp/B004J6C0CM>.  
The Fabulous Mind, Mid Century Furnishings, webpage, British Columbia <http://www.thefabulousfind.ca/find-of-the-week-dec-7th-dec-13th-2011/teak-floor-lamp-4>.

Affordable Lamps: The Lighting Blog, Asian Floor Lamps, Aizen, article, Aug. 7, 2009, United States <http://blog.affordablelamps.com/2009/08/07/asian-floor-lamps-aizen/>.

Kronodesigners: A Design Journey in the Things We Love, Sculptural Floor Lamp by Zurn Design, article, Jan. 25, 2013, United States <https://kronodesigners.wordpress.com/2013/01/25/sculptural-floor-lamp-by-zurn-design/>.

(Continued)

*Primary Examiner* — Brian N Vinson

(74) *Attorney, Agent, or Firm* — Hankin Patent Law APC; Jimmy Sauz; Kevin Schraven

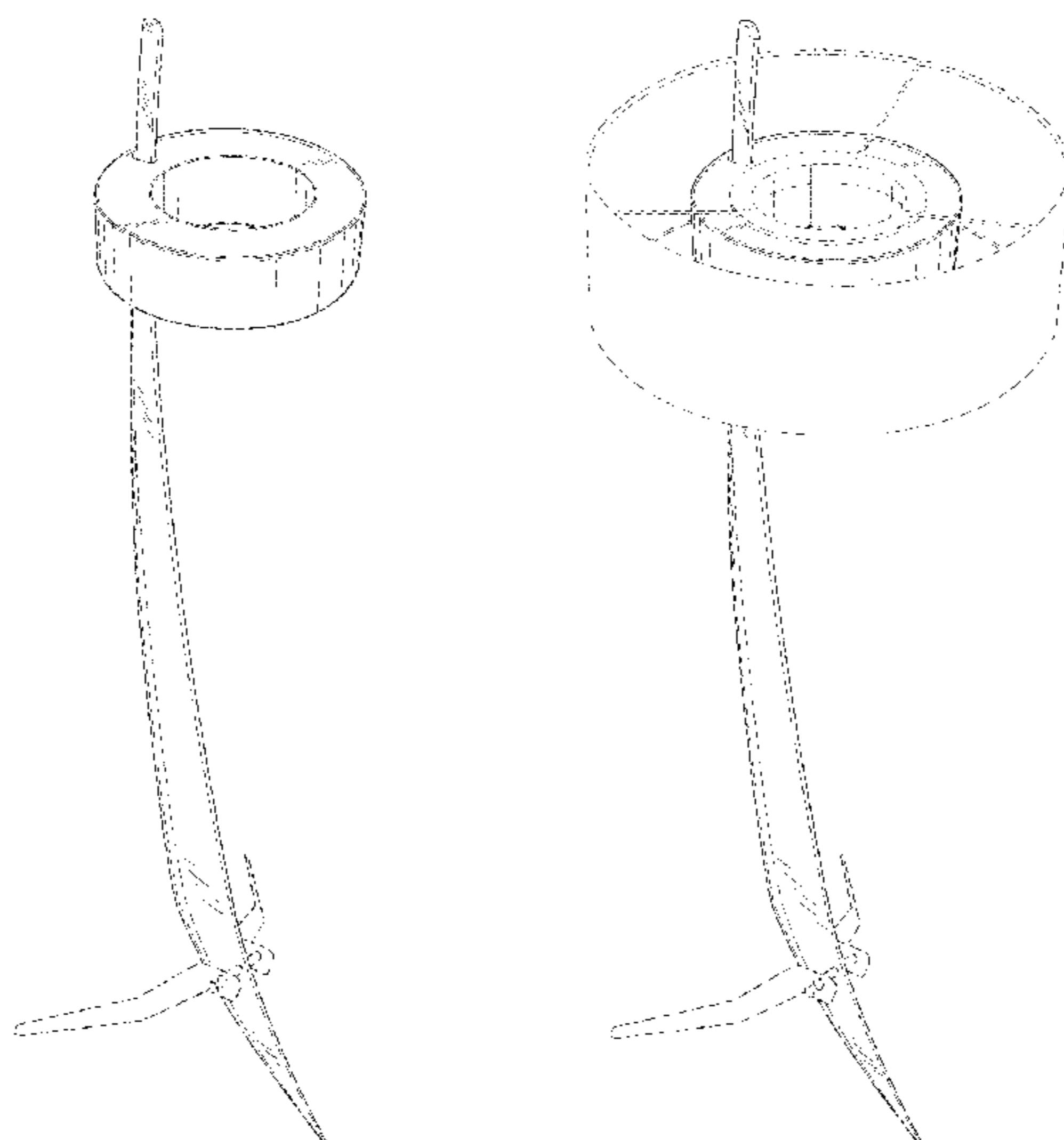
(57) **CLAIM**

The ornamental design for a light fixture, as shown and described.

**DESCRIPTION**

FIG. 1 is a top perspective view of the light fixture, showing my new design.  
FIG. 2 is a bottom perspective view thereof.  
FIG. 3 is a front elevational view thereof.  
FIG. 4 is a rear elevational view thereof.  
FIG. 5 is a right side elevational view thereof.  
FIG. 6 is a left side elevational view thereof.  
FIG. 7 is a top plan view thereof.  
FIG. 8 is a bottom plan view thereof.  
FIG. 9 is a top perspective view of the light fixture with a lamp shade.  
FIG. 10 is a bottom perspective view thereof.  
FIG. 11 is a front elevational view thereof.  
FIG. 12 is a rear elevational view thereof.  
FIG. 13 is a right side elevational view thereof.  
FIG. 14 is a left side elevational view thereof.  
FIG. 15 is a top plan view thereof; and,  
FIG. 16 is a bottom plan view thereof.  
The broken lines are for the purpose of illustrating environmental structure and unclaimed subject matter and form no part of the claimed design.

**1 Claim, 16 Drawing Sheets**



(56)

**References Cited**

OTHER PUBLICATIONS

CR3AT, Awesome Floor Wooden Lamp for Classy Look, catalog, United States <http://www.cr3at.com/10131-wooden-lamp-idea-giving-rustic-look-into-your-home-interior/awesome-floor-wooden-lamp-for-classy-look/>.

House Lighting Design Ideas, Contemporary Floor Lamp Ideas: Contemporary Floor Lamp With Table Attached, catalog, Feb. 5, 2014, United States <http://www.lighthousefigurinedepot.com/contemporary-floor-lamp-ideas/contemporary-floor-lamp-with-table-attached/>.

\* cited by examiner

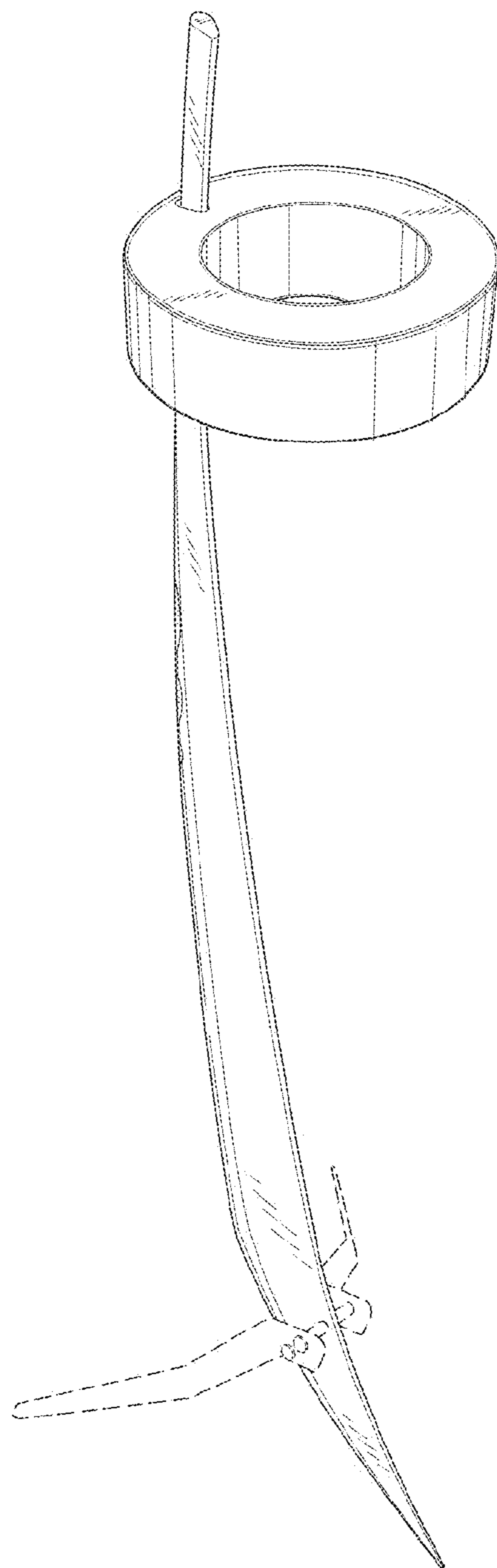


Fig. 1

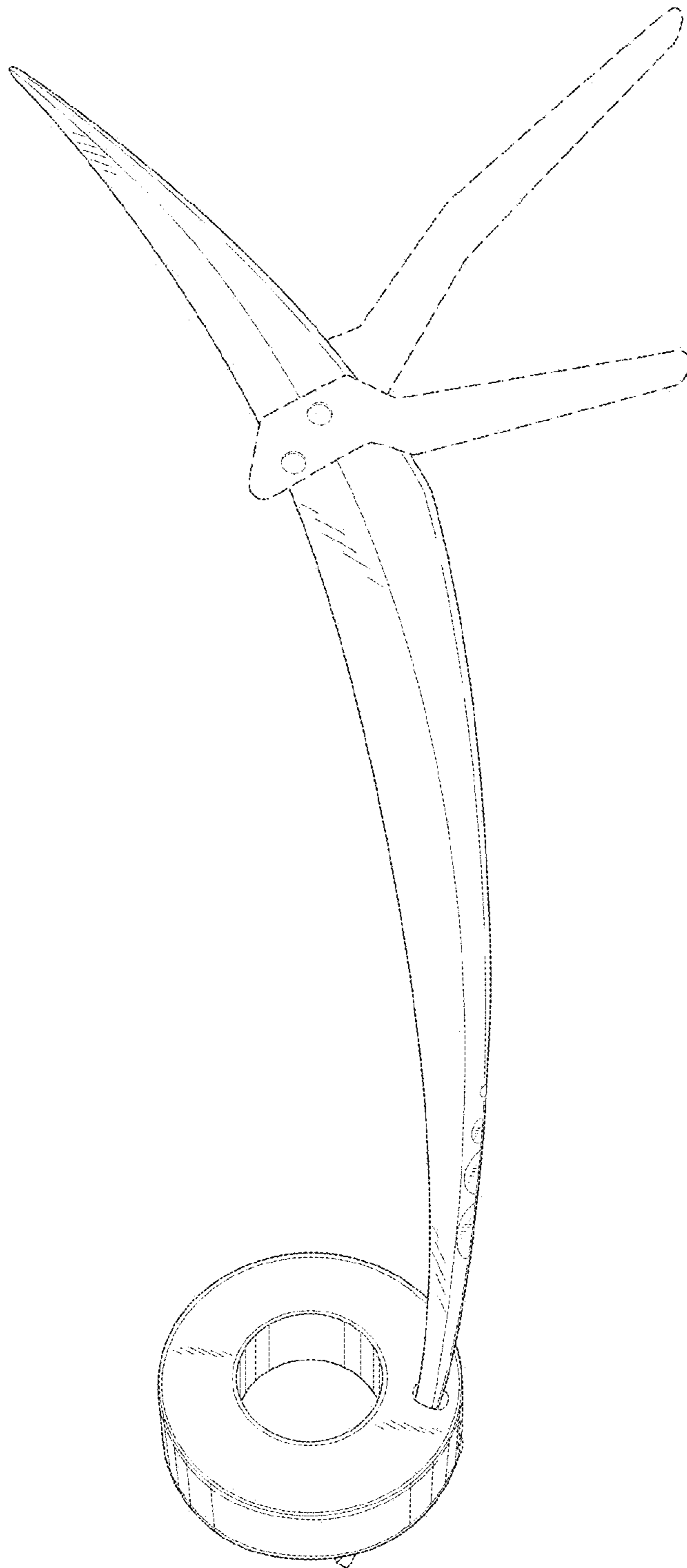


Fig.2

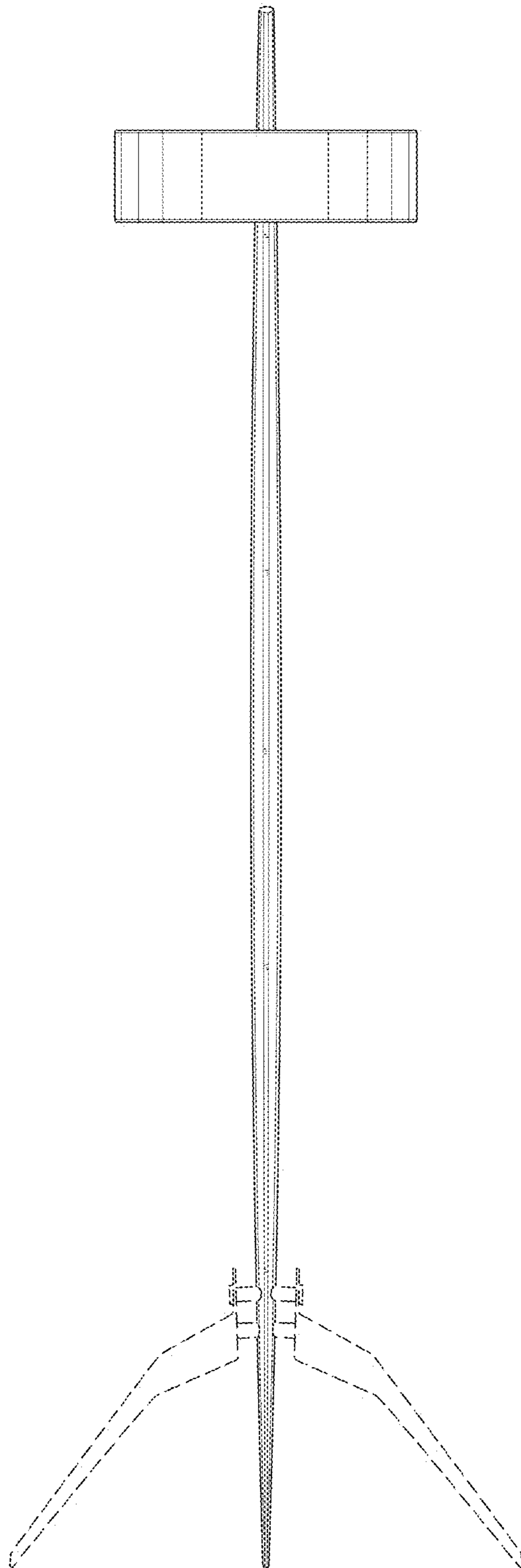


Fig. 3

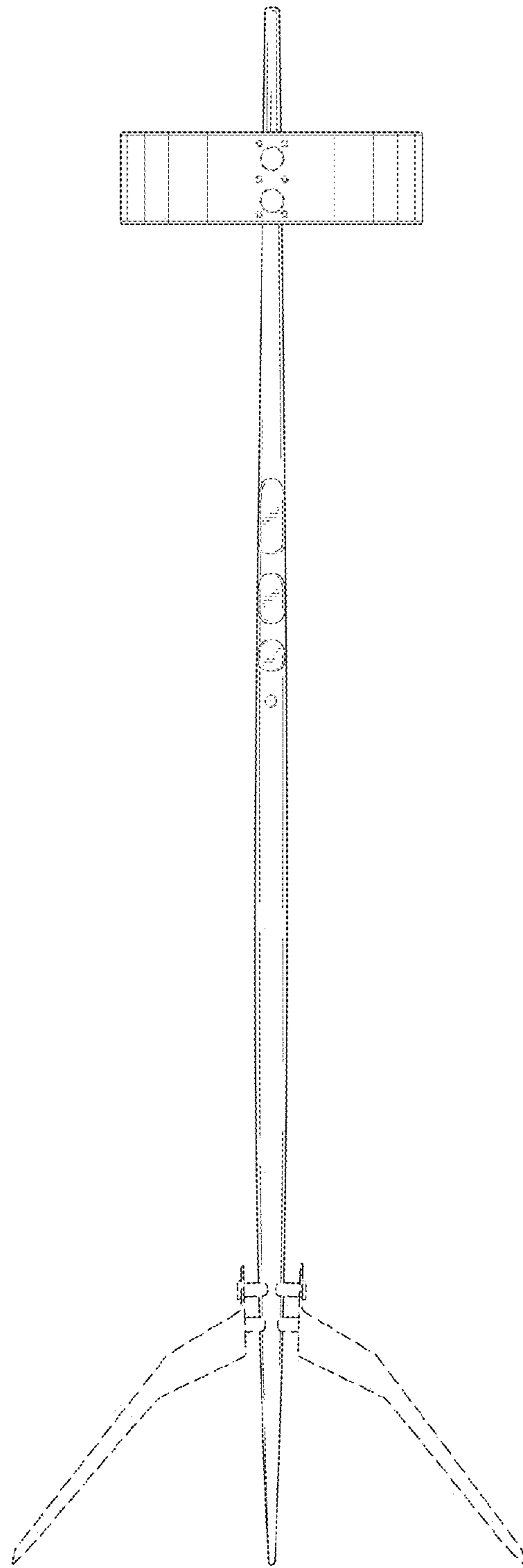


Fig.4

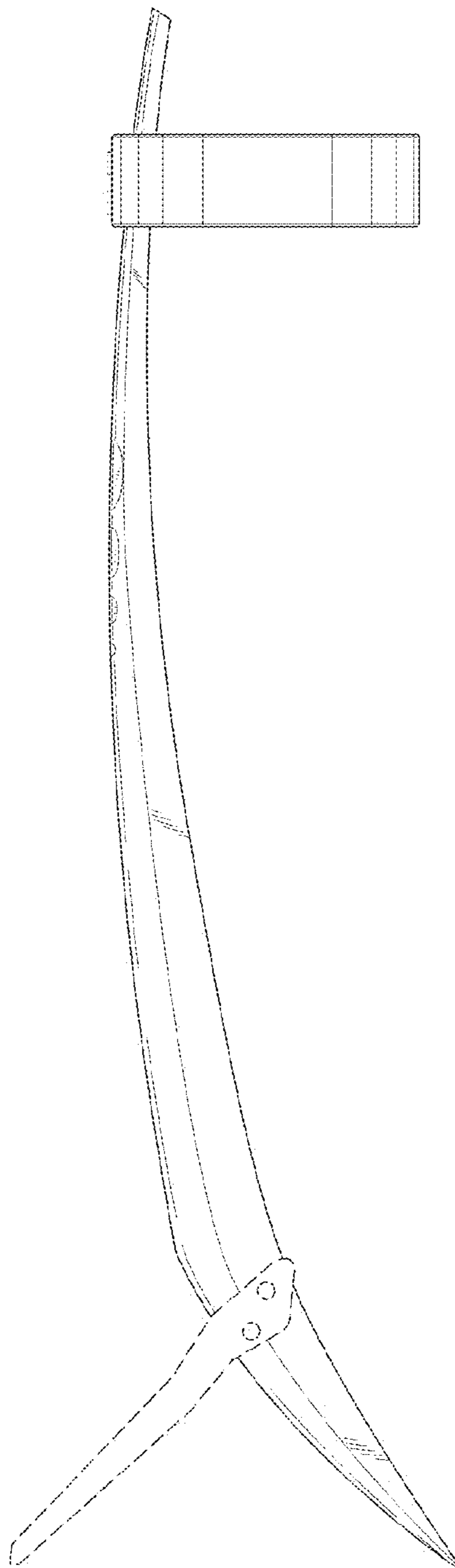


Fig.5

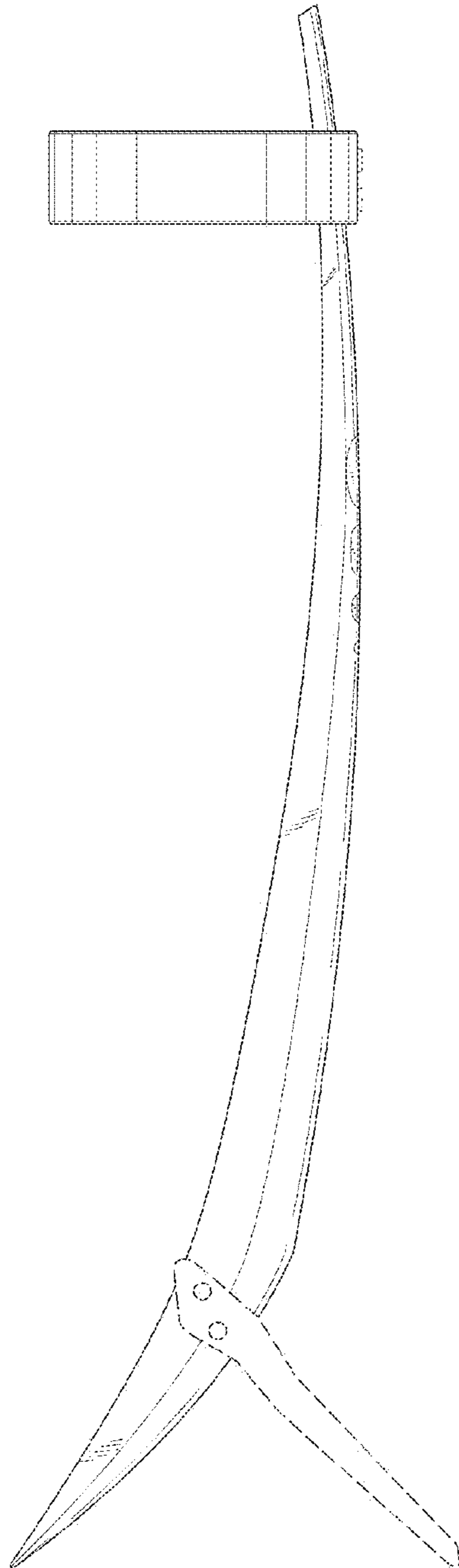


Fig.6



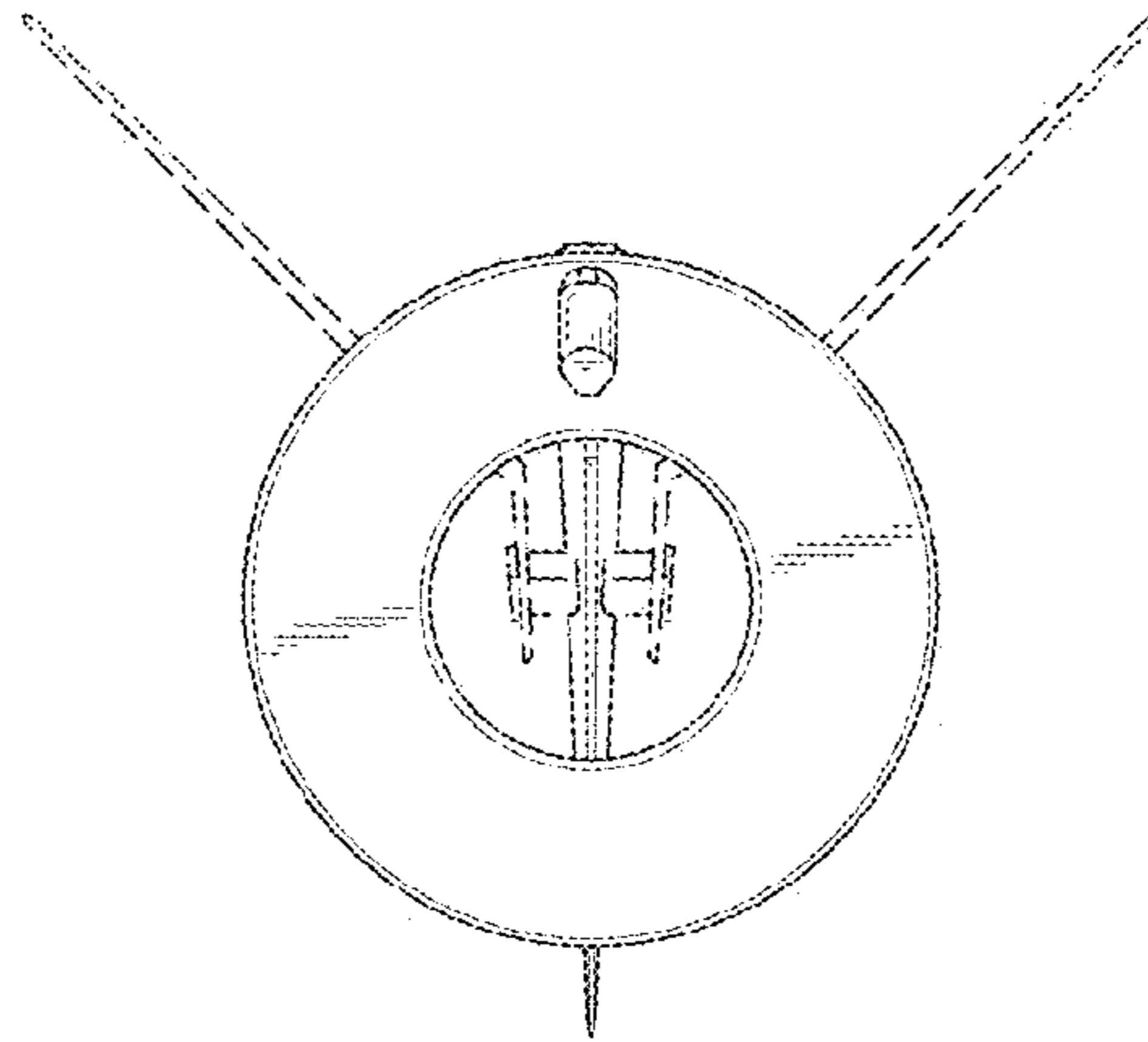


Fig. 7

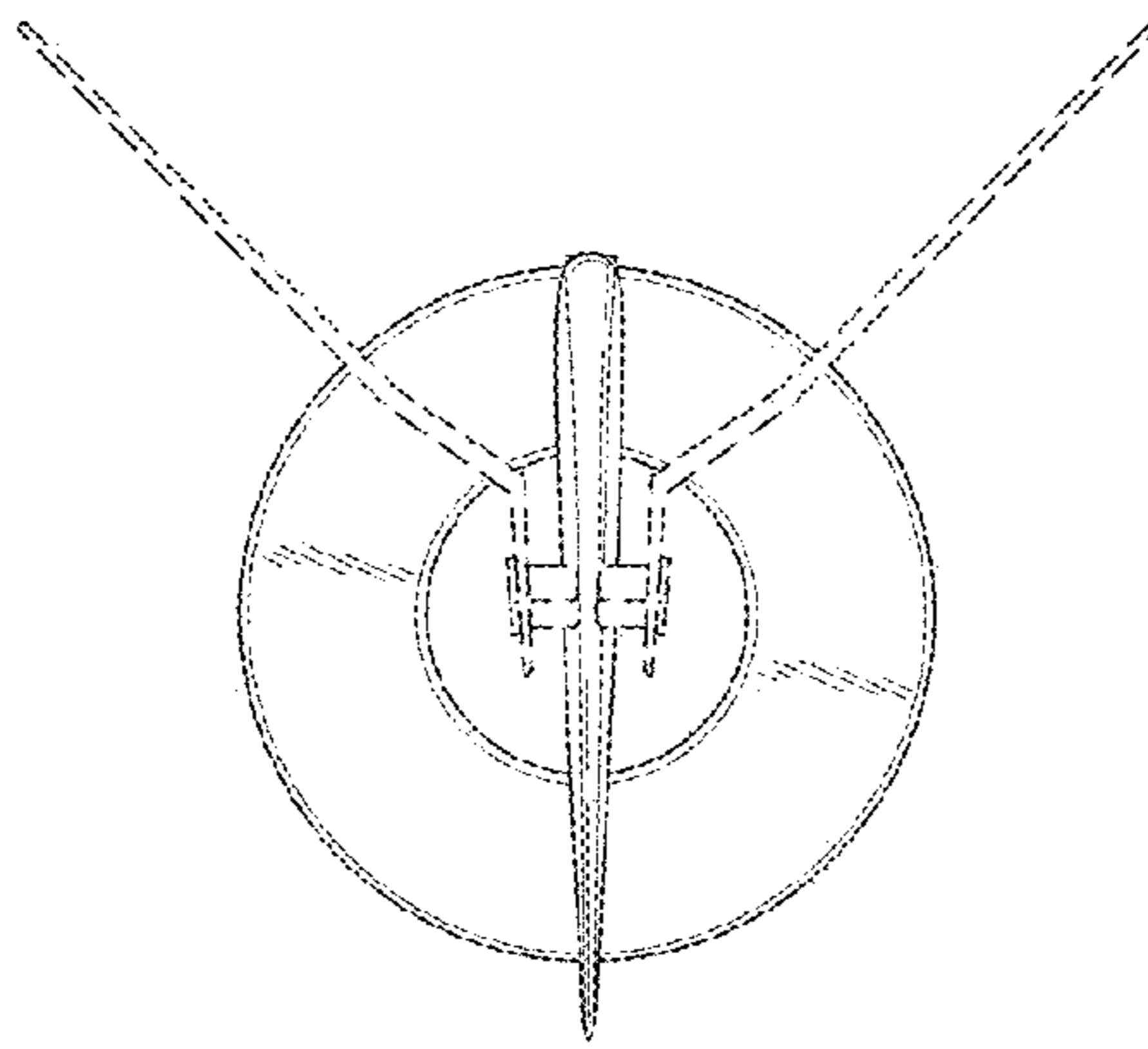


Fig.8

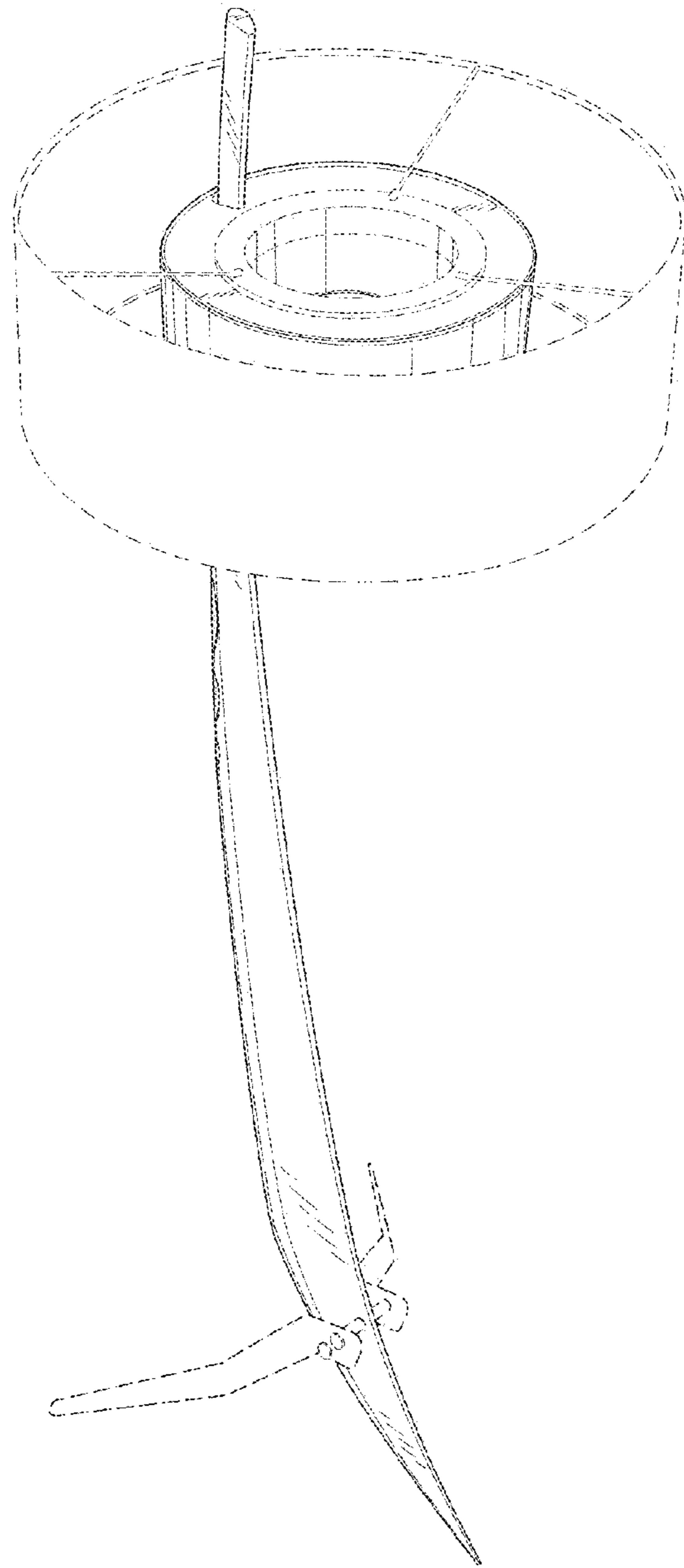


Fig.9

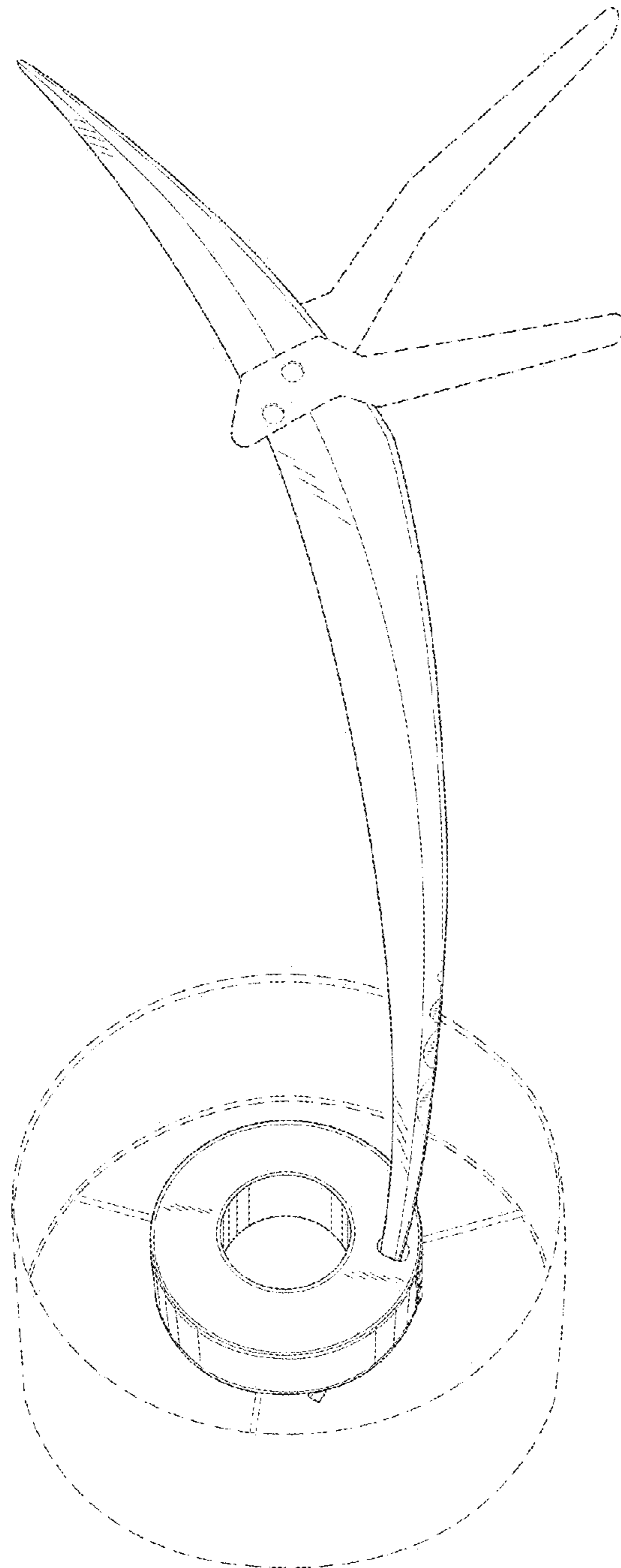


Fig. 10

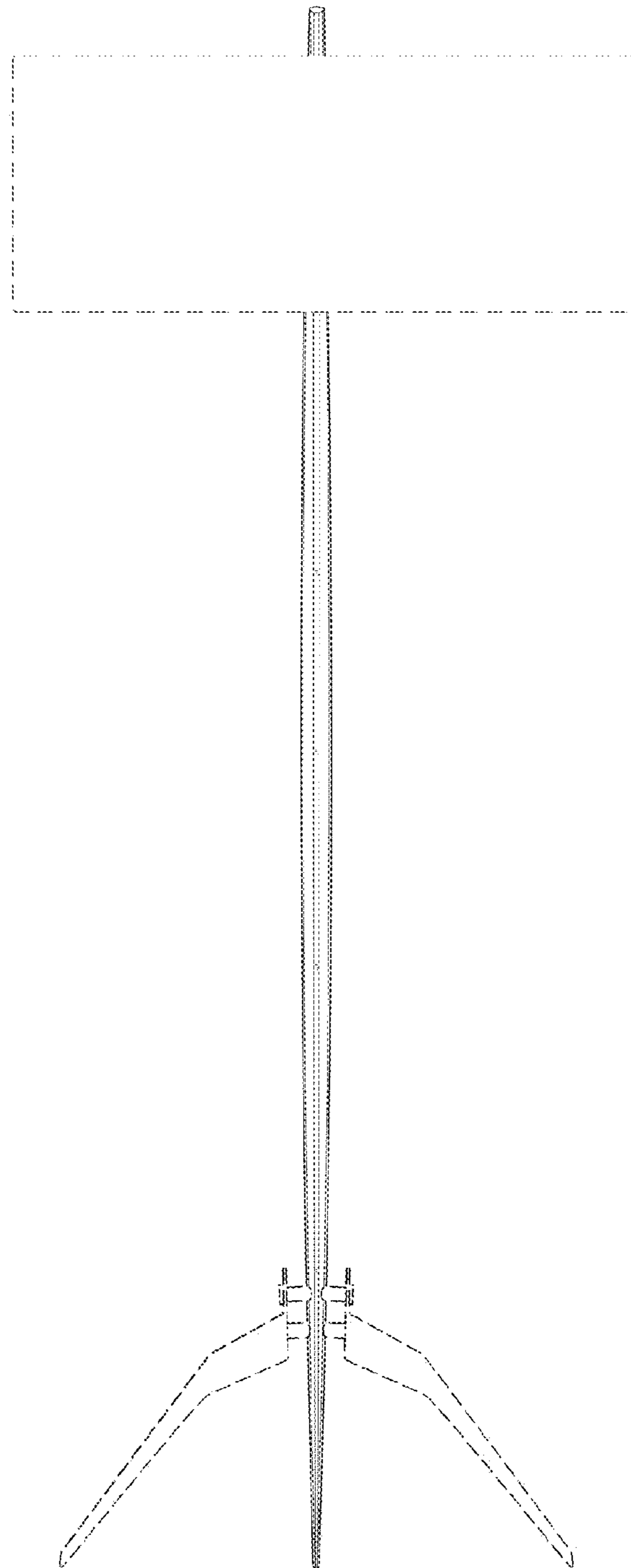


Fig. 11

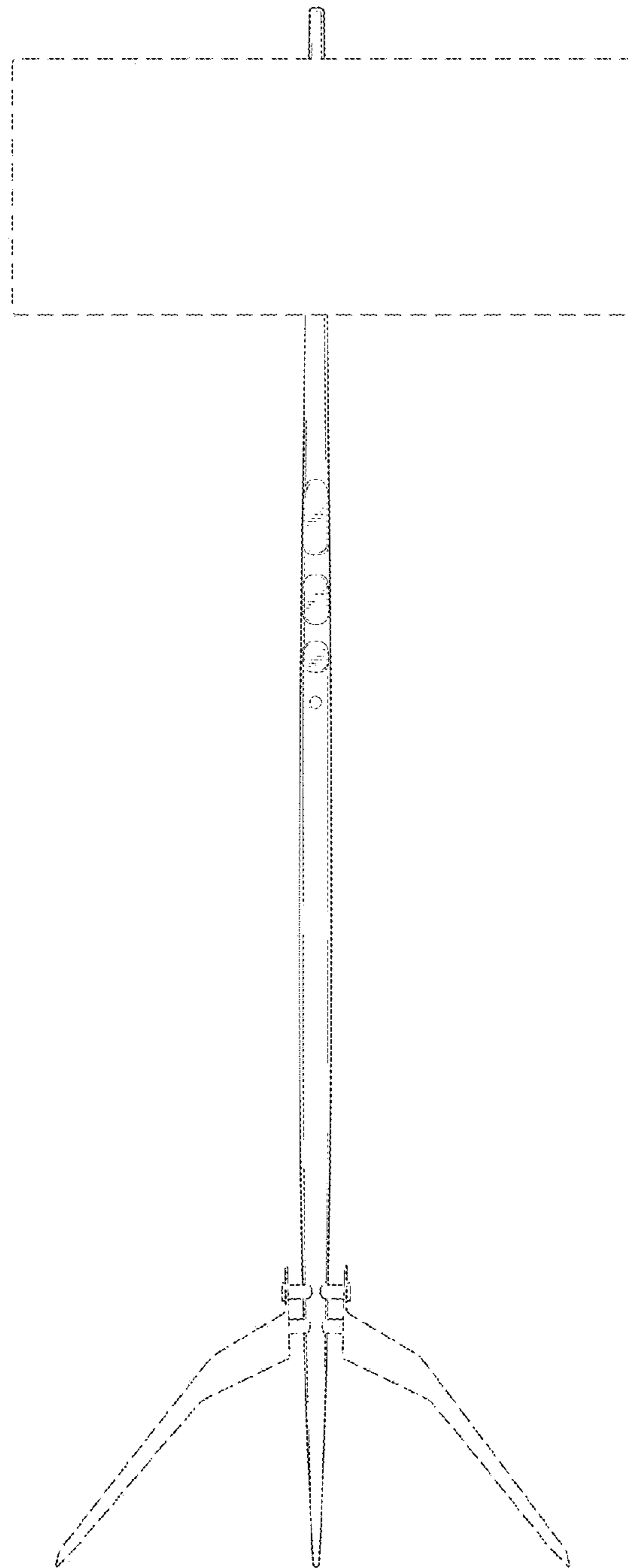


Fig. 12

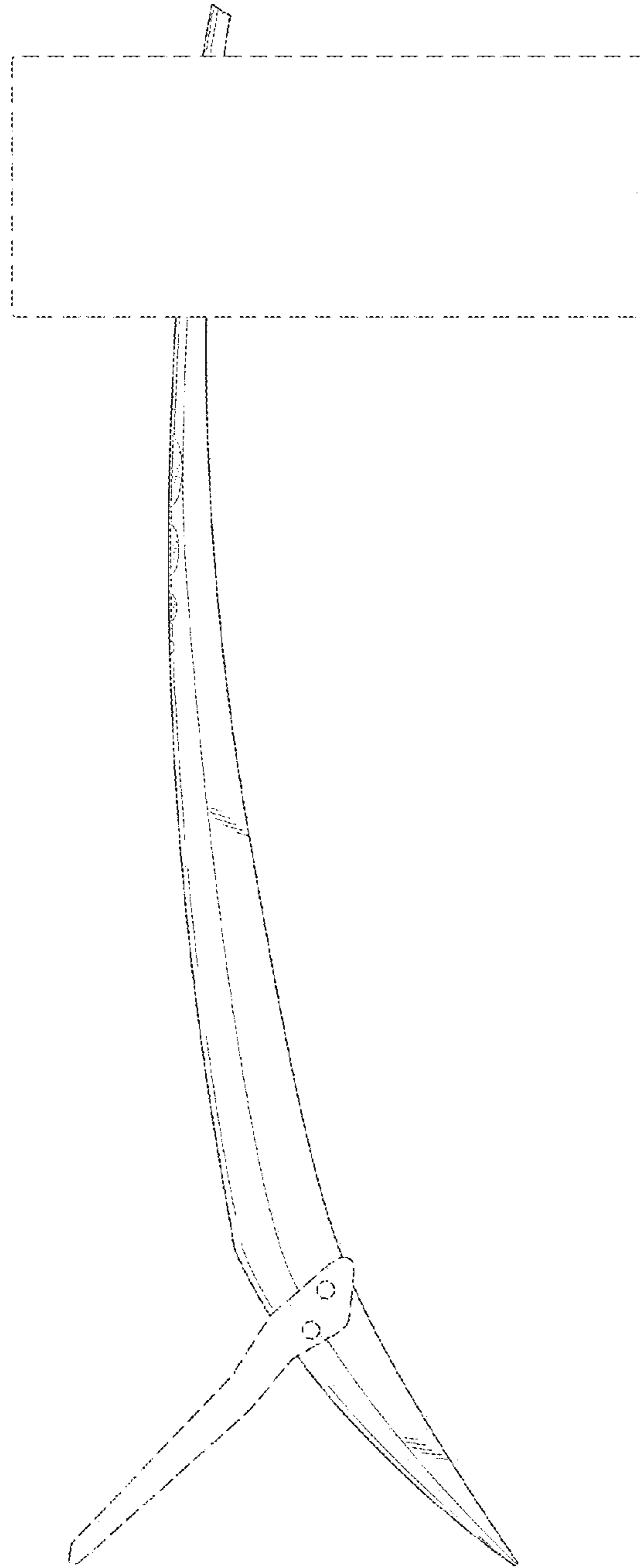


Fig. 13

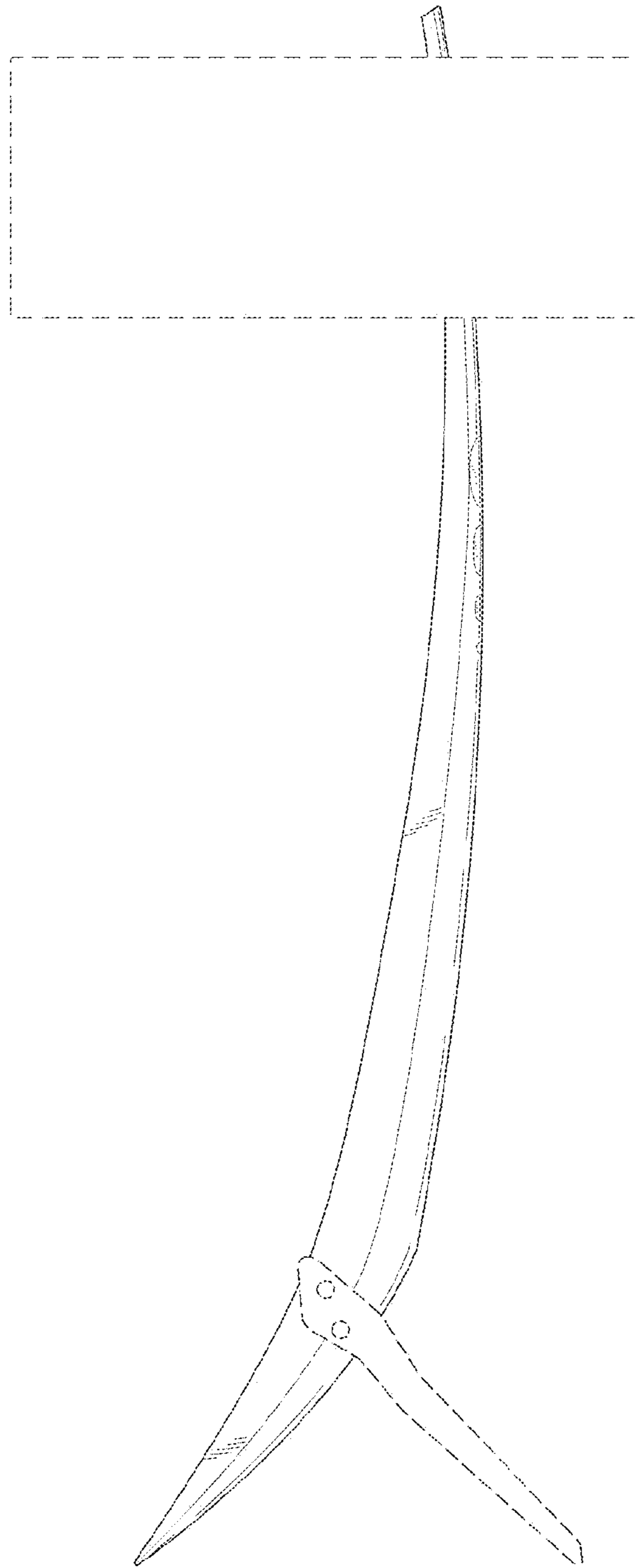


Fig. 14



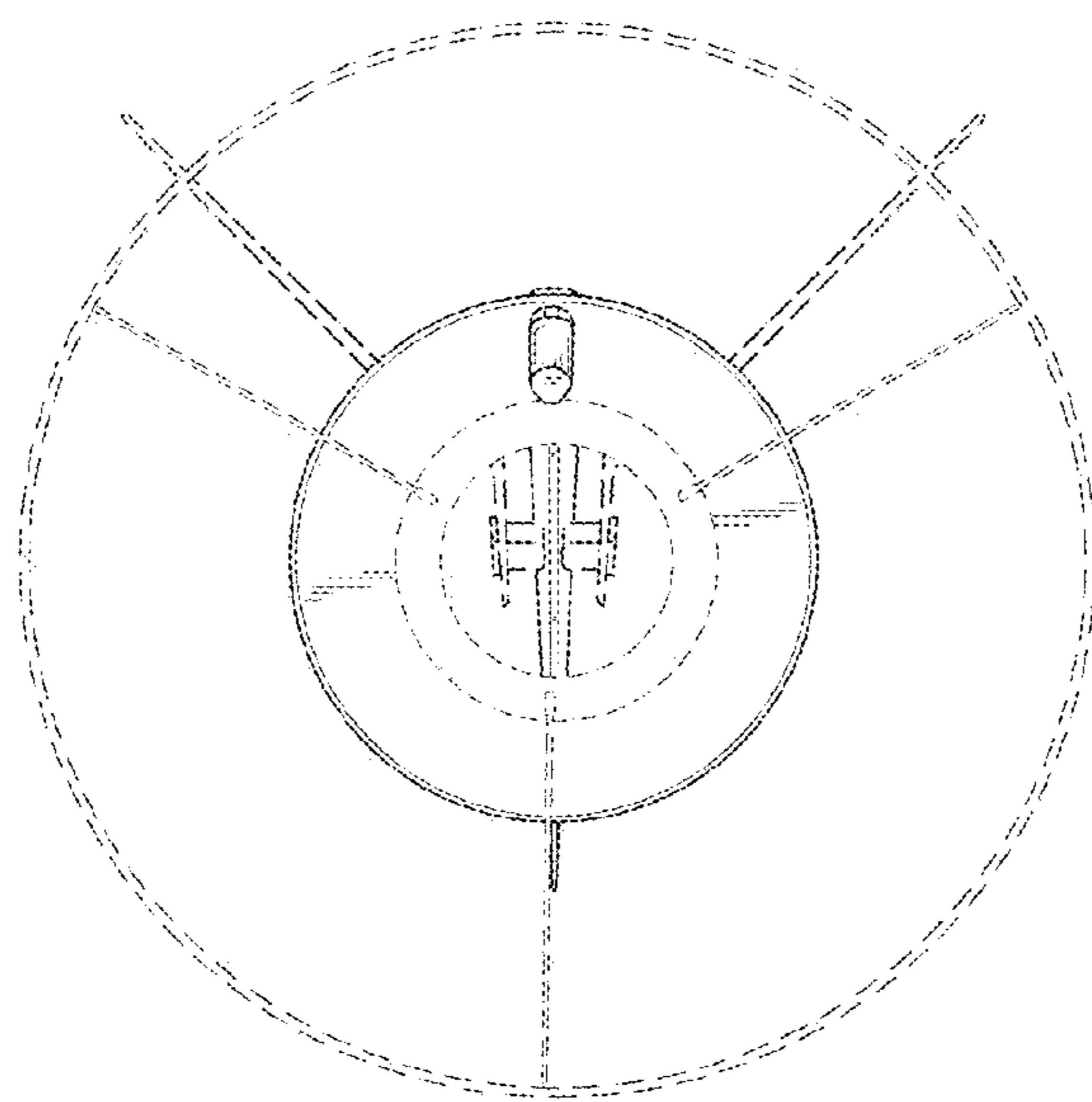


Fig. 15

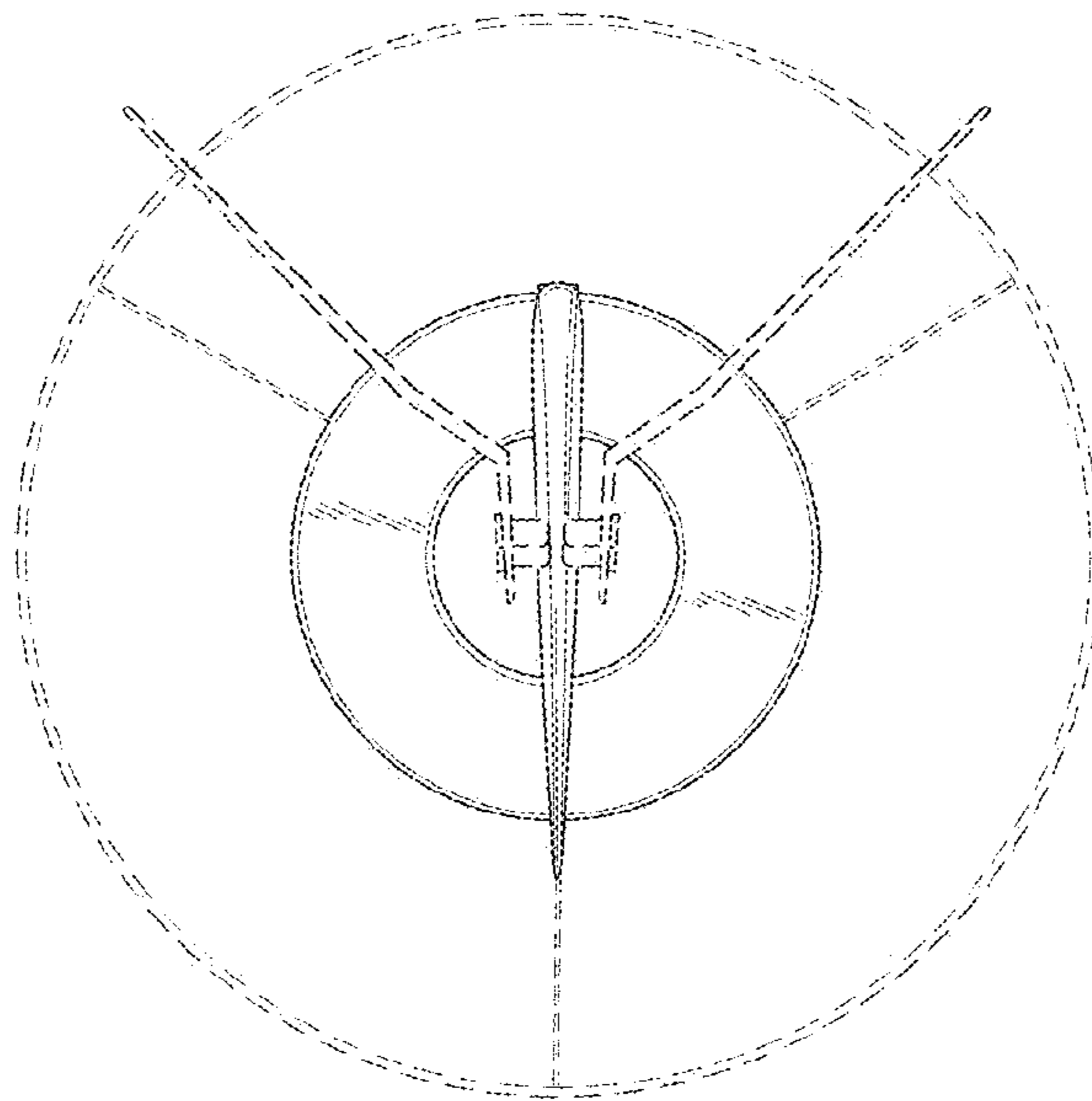


Fig. 16