



US00D759881S

(12) **United States Design Patent**  
**Mausser et al.**

(10) **Patent No.:** **US D759,881 S**  
(45) **Date of Patent:** **\*\* Jun. 21, 2016**

- (54) **CANDLE WITH FRAME DESIGN**
- (71) Applicant: **LUMADA d.o.o.**, Ljubljana (SI)
- (72) Inventors: **Matjaz Mausser**, Ljubljana (SI); **Darya Charman**, Kranj (SI)
- (73) Assignee: **Lumada d.o.o.**, Ljubljana (SI)
- (\*\*) Term: **15 Years**
- (21) Appl. No.: **29/533,095**
- (22) Filed: **Jul. 14, 2015**
- (51) **LOC (10) Cl.** ..... **26-03**
- (52) **U.S. Cl.**  
USPC ..... **D26/96**
- (58) **Field of Classification Search**  
USPC ..... D26/4, 5, 6, 7, 9, 96  
CPC ..... F21S 6/00; F21S 6/001; F21S 10/04;  
F21S 10/10; F21S 10/043; F21S 8/08; F21S  
48/115; F21V 21/00; F21V 35/00; F21W  
2121/00; C11C 5/002; C11C 5/004  
See application file for complete search history.

- D458,394 S \* 6/2002 Leeds ..... D26/6
- D569,541 S \* 5/2008 Shiu ..... D26/96
- D609,379 S \* 2/2010 Lee ..... D26/6

\* cited by examiner

*Primary Examiner* — Brian N Vinson

(74) *Attorney, Agent, or Firm* — Mark Malek; Widerman Malek, PL

(57) **CLAIM**

The ornamental design for a candle with frame design, as shown and described.

**DESCRIPTION**

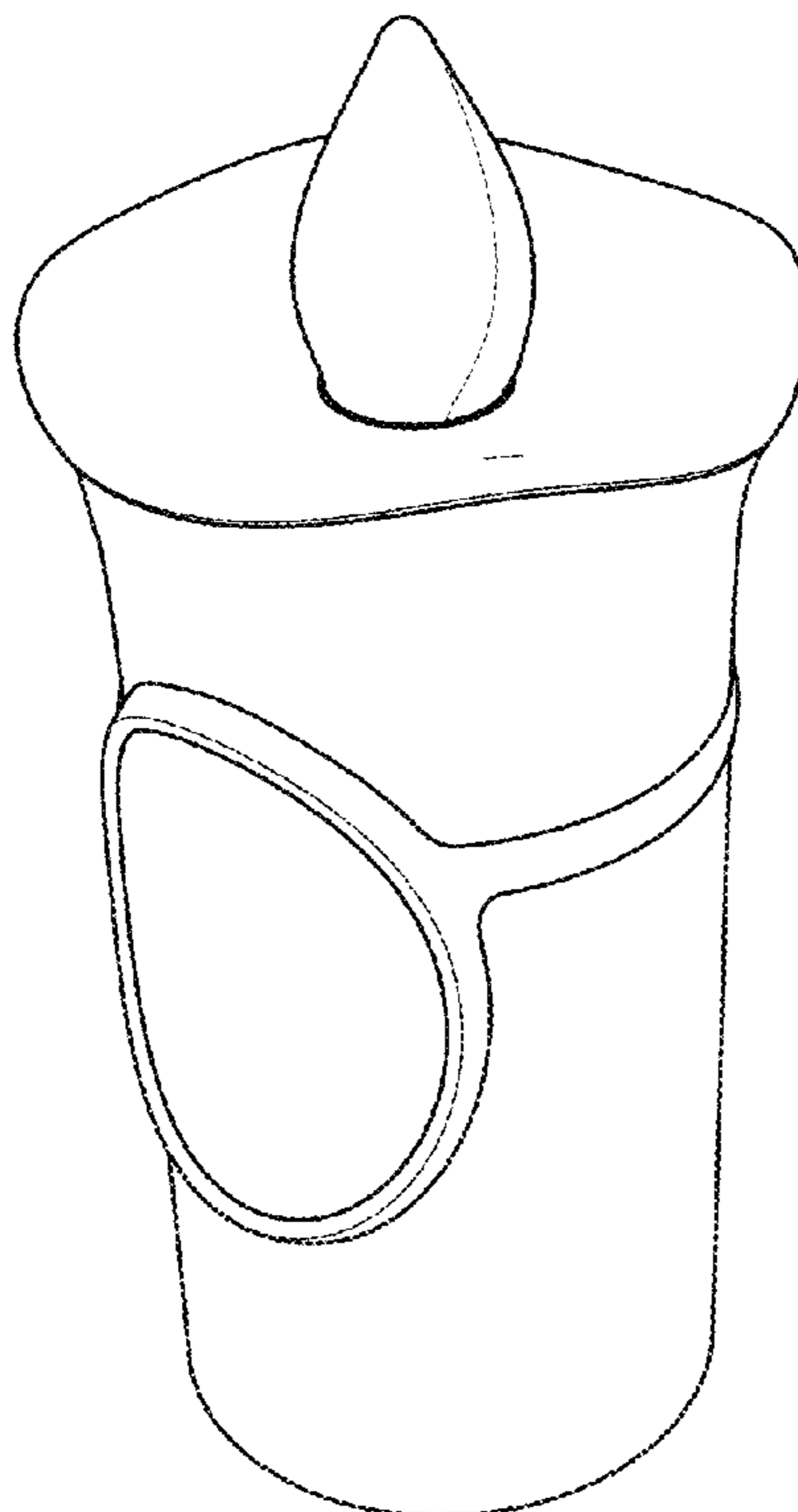
FIG. 1 is a perspective view of a candle with frame design according to the present design,  
 FIG. 2 is a top plan view of the candle with frame design illustrated in FIG. 1.  
 FIG. 3 is a bottom plan view of the candle with frame design illustrated in FIG. 1.  
 FIG. 4 is a front elevation view of the candle with frame design illustrated in FIG. 1.  
 FIG. 5 is a rear elevation view of the candle with frame design illustrated in FIG. 1; and,  
 FIG. 6 is a side elevation view of the candle with frame design illustrated in FIG. 1.  
 The broken line disclosure depicted in FIG. 3 represents portions of the candle with frame design that form no part of the claimed design.

(56) **References Cited**

U.S. PATENT DOCUMENTS

- D53,043 S \* 3/1919 Messer ..... D26/7
- 3,294,888 A \* 12/1966 Lindahl ..... C11C 5/008  
264/132
- D218,860 S \* 9/1970 Madden ..... D26/7

**1 Claim, 4 Drawing Sheets**



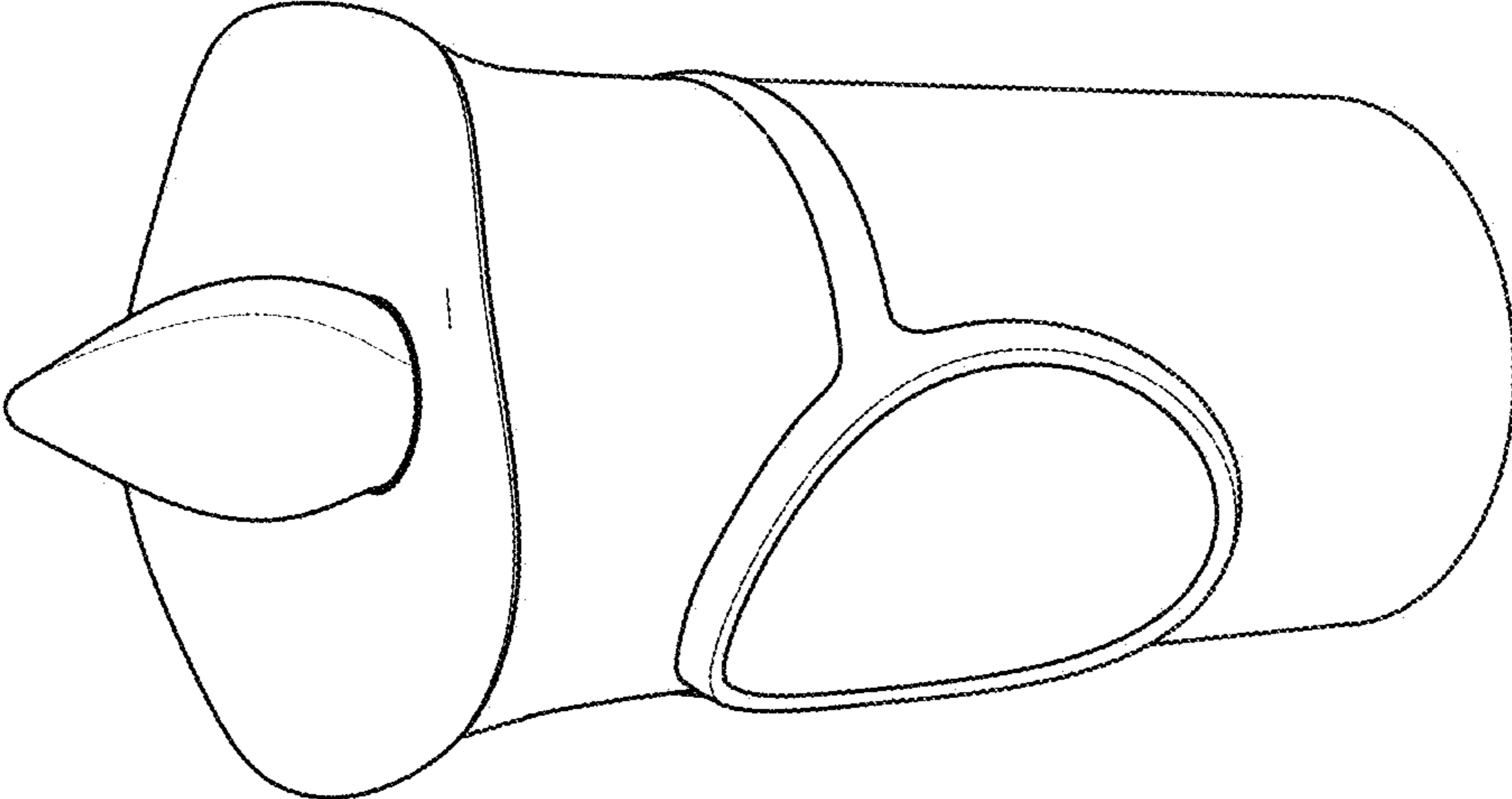


FIG. 1

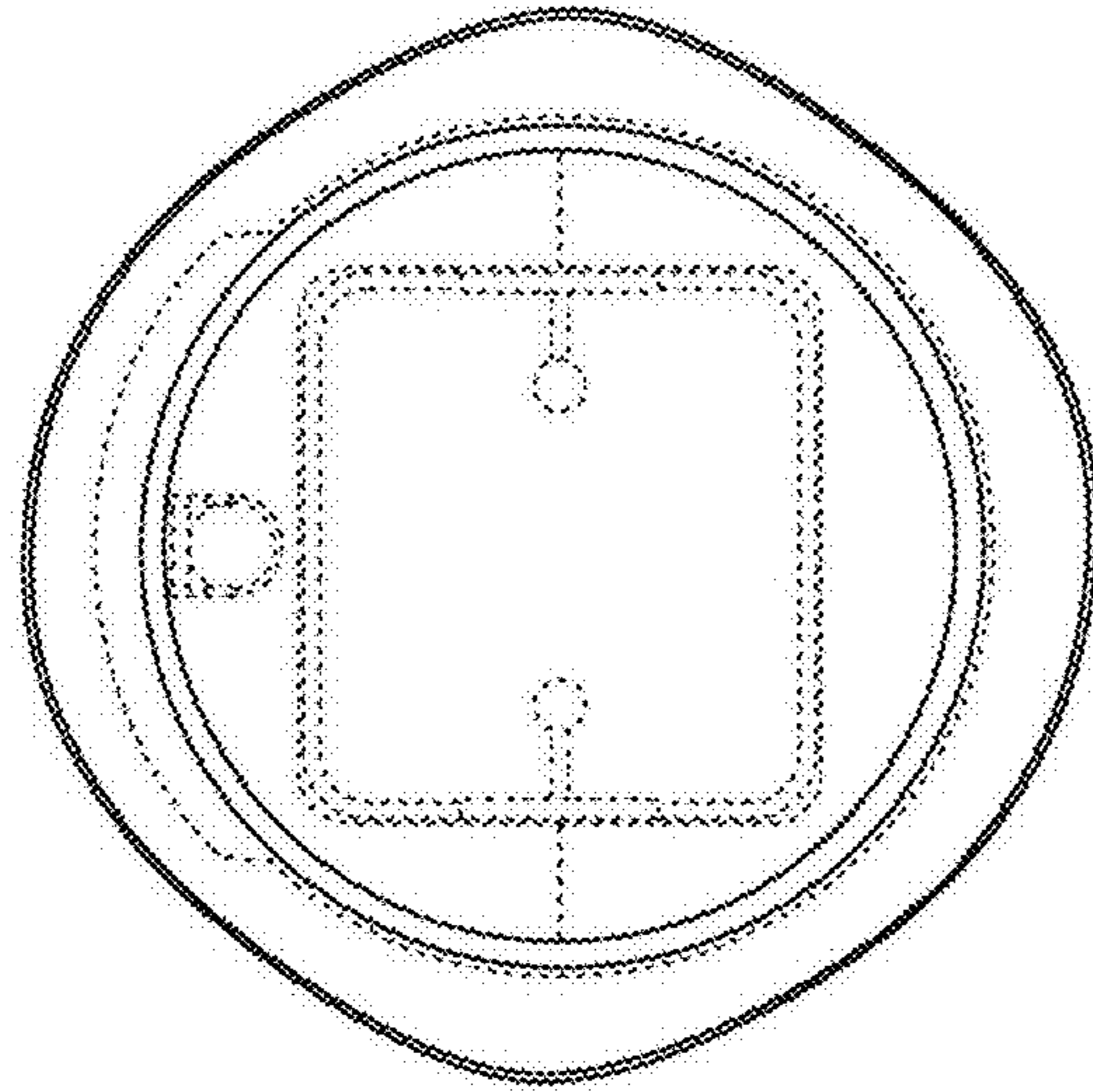


FIG. 3

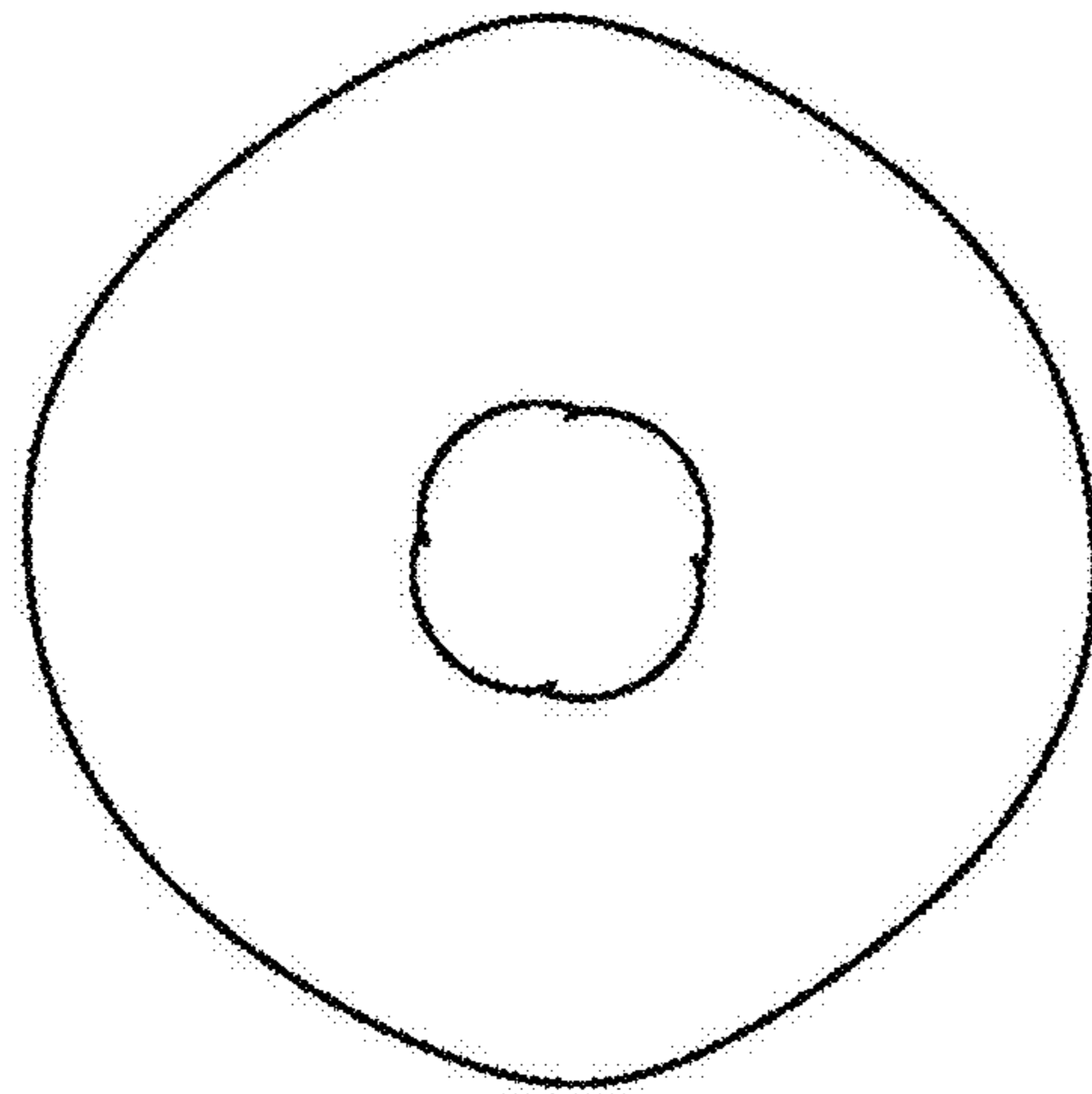


FIG. 2

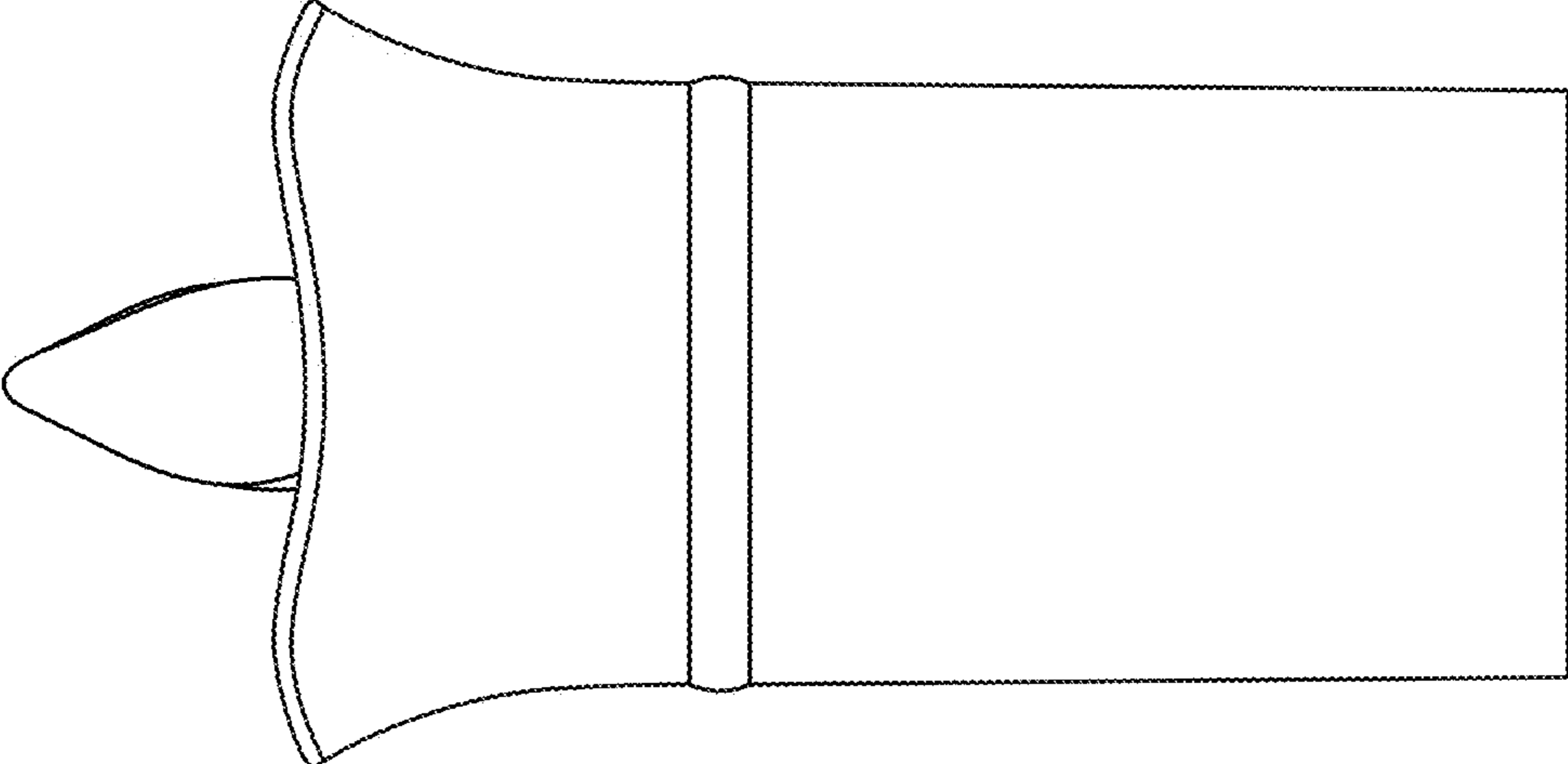


FIG. 5

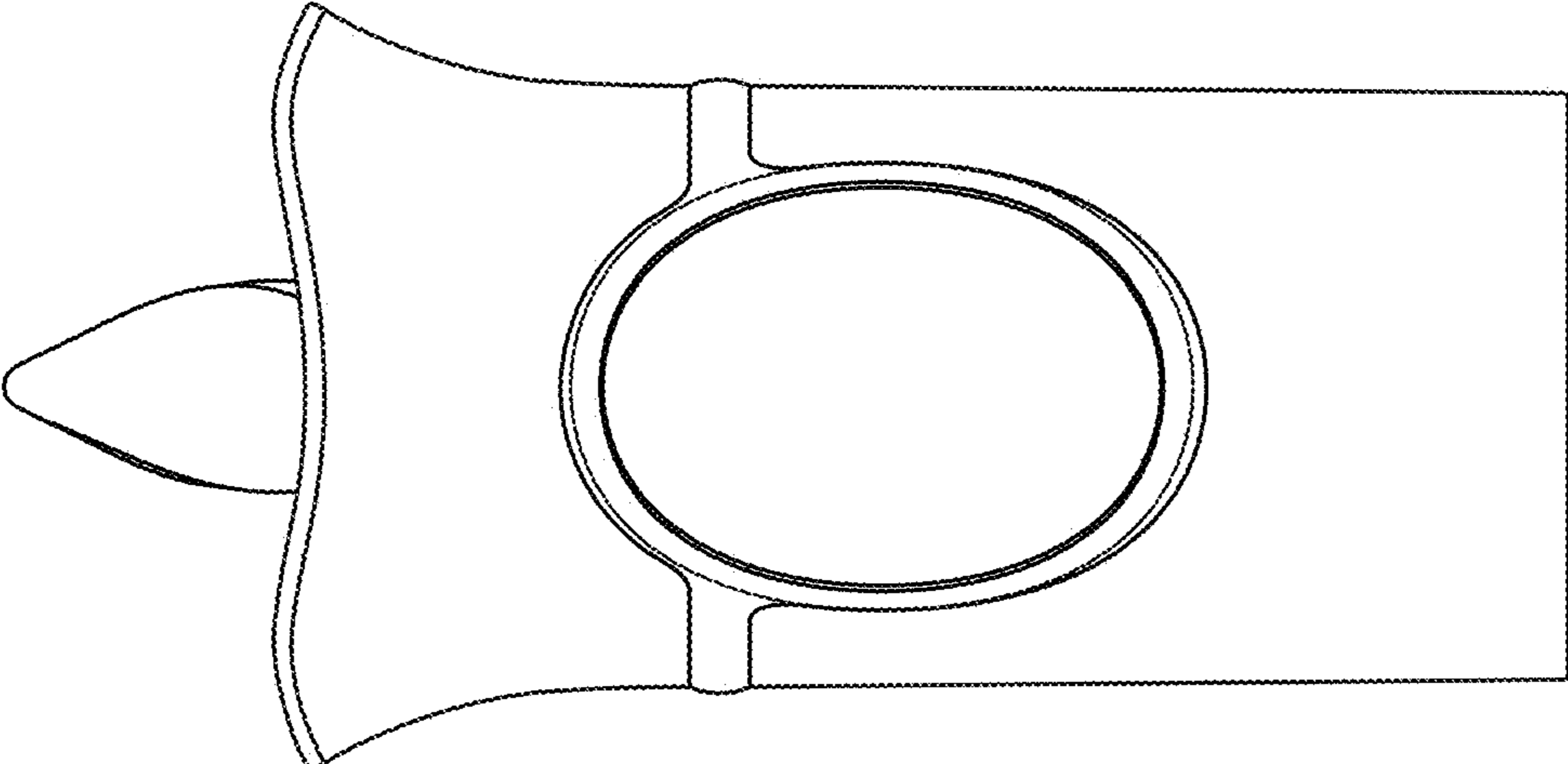


FIG. 4

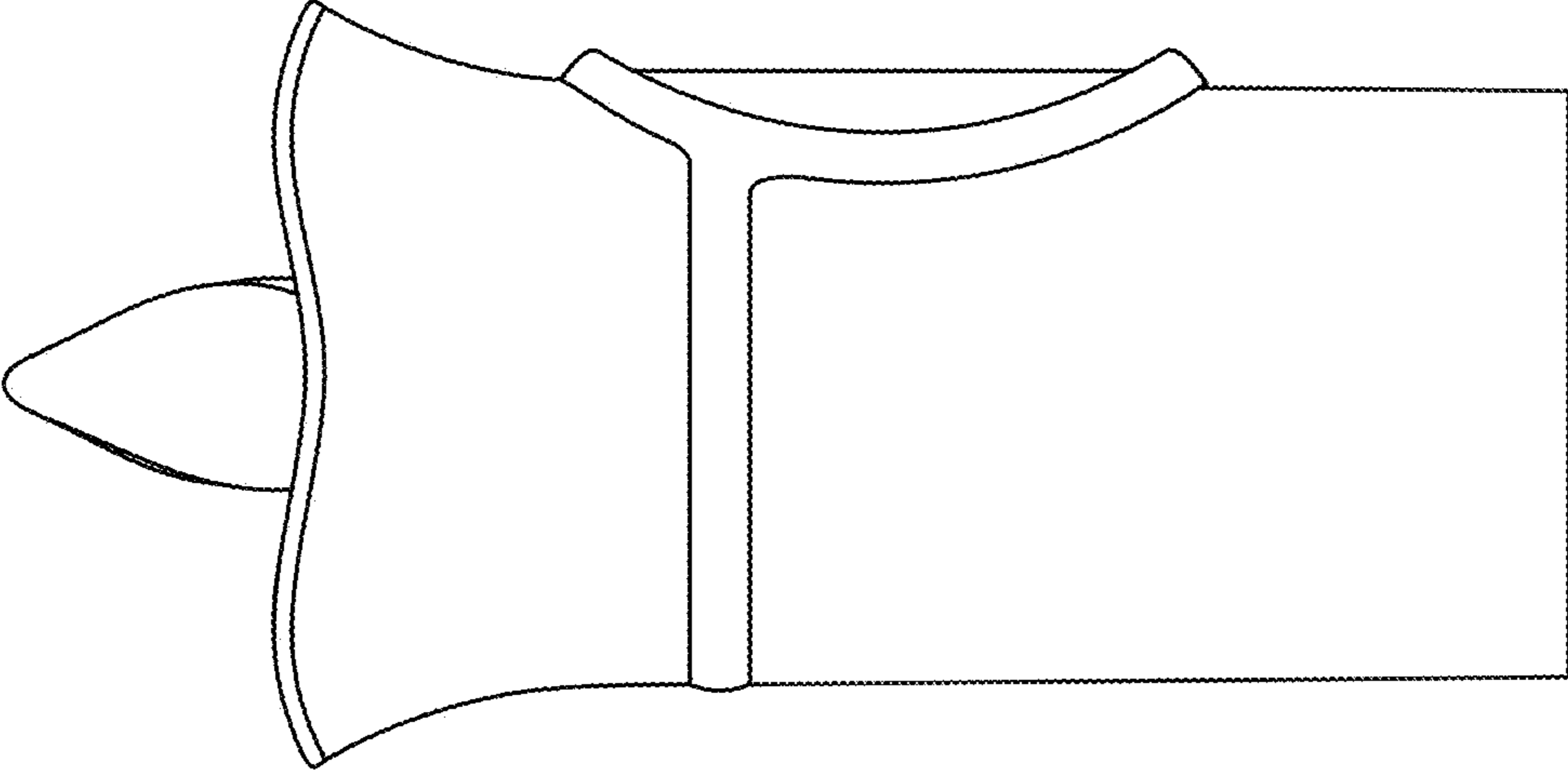


FIG. 6