



US00D759880S

(12) **United States Design Patent**  
**Li**

(10) **Patent No.:** **US D759,880 S**  
(45) **Date of Patent:** **\*\* Jun. 21, 2016**

(54) **ELECTRONIC CANDLE AND BASE**

(71) Applicant: **Xiaofeng Li**, Shenzhen (CN)

(72) Inventor: **Xiaofeng Li**, Shenzhen (CN)

(\*\*) Term: **14 Years**

(21) Appl. No.: **29/512,023**

(22) Filed: **Dec. 16, 2014**

(30) **Foreign Application Priority Data**

Nov. 10, 2014 (CN) ..... 2014 3 0439204

(51) **LOC (10) Cl.** ..... **26-03**

(52) **U.S. Cl.**  
USPC ..... **D26/96**

(58) **Field of Classification Search**  
USPC ..... D26/4, 5, 6, 7, 9, 96  
CPC ..... F21S 6/00; F21S 6/001; F21S 10/04;  
F21S 10/10; F21S 10/043; F21S 8/08; F21S  
48/115; F21V 21/00; F21V 35/00; F21W  
2121/00; C11C 5/002; C11C 5/004  
See application file for complete search history.

(56) **References Cited**

**U.S. PATENT DOCUMENTS**

D49,286 S \* 6/1916 Spevack ..... D26/9  
D253,795 S \* 12/1979 Hilgeman ..... D26/9  
D260,381 S \* 8/1981 Adkins ..... D26/5  
D267,981 S \* 2/1983 Montague, Jr. .... D26/96  
D299,556 S \* 1/1989 Marshbanks ..... D26/96  
D330,941 S \* 11/1992 Georgescu ..... D26/6  
D406,379 S \* 3/1999 Andrews ..... D26/96  
D413,399 S \* 8/1999 Robinson ..... D26/9

D432,258 S \* 10/2000 Fussell ..... D26/96  
D706,963 S \* 6/2014 Thompson ..... D26/4  
D710,039 S \* 7/2014 Schwenk ..... D26/9  
D739,573 S \* 9/2015 Li ..... D26/4

\* cited by examiner

*Primary Examiner* — Brian N Vinson

(74) *Attorney, Agent, or Firm* — Perkins Coie LLP

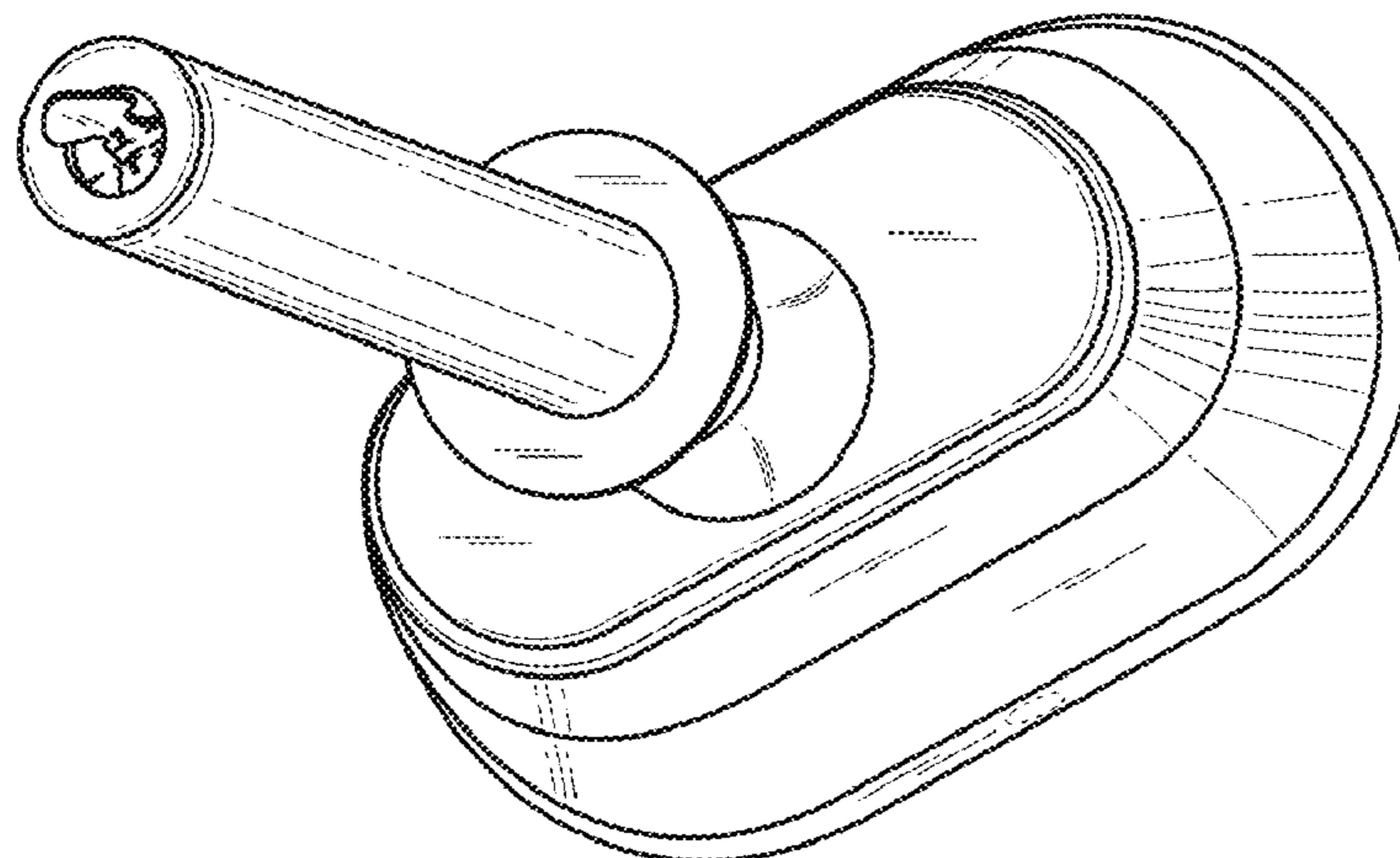
(57) **CLAIM**

The ornamental design for an electronic candle and base, as shown and described.

**DESCRIPTION**

FIG. 1 is a front view of the electronic candle and base of the present disclosure;  
FIG. 2 is a rear view of the electronic candle and base of FIG. 1;  
FIG. 3 is a right side view of the electronic candle and base of FIG. 1;  
FIG. 4 is a left side view of the electronic candle and base of FIG. 1;  
FIG. 5 is a top view of the electronic candle and base of FIG. 1;  
FIG. 6 is a bottom view of the electronic candle and base of FIG. 1;  
FIG. 7 is a perspective view of the top of the electronic candle and base of FIG. 1; and,  
FIG. 8 is a perspective view of the bottom of the electronic candle and base of FIG. 1.  
The broken-line disclosure represents portions of the electronic candle and base which form no part of the claimed design.

**1 Claim, 7 Drawing Sheets**



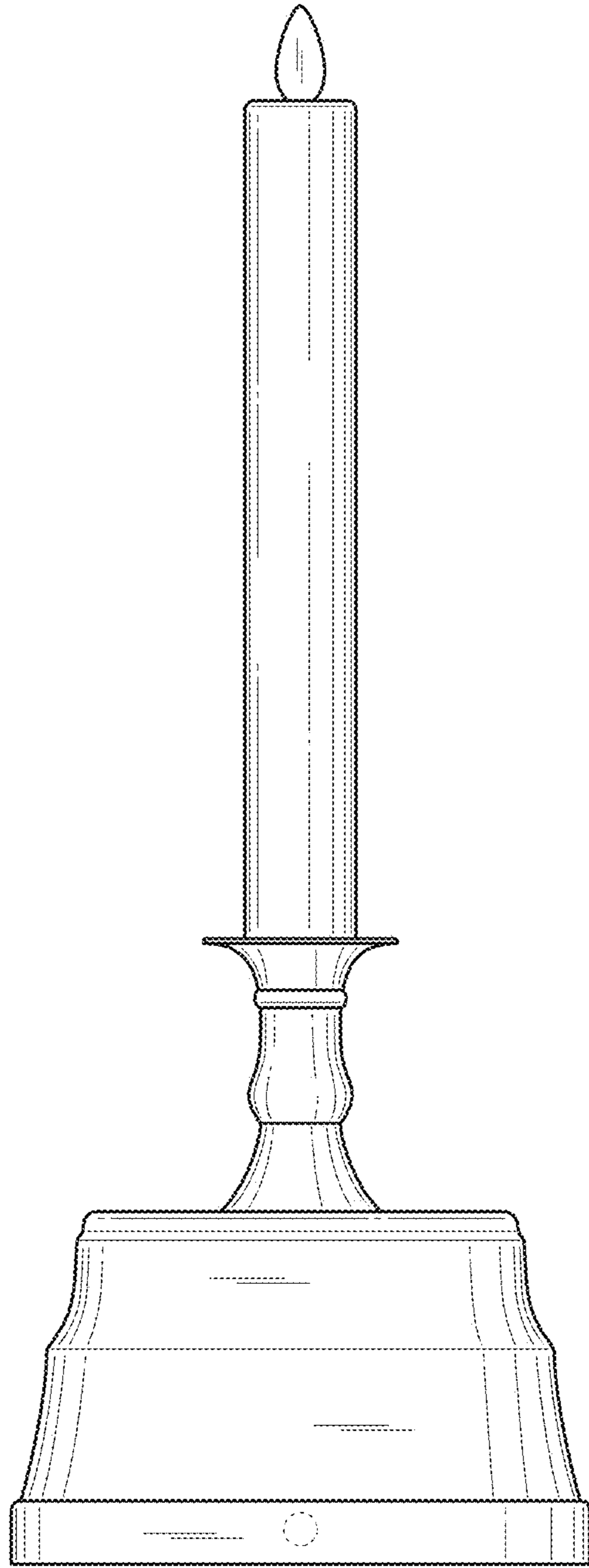
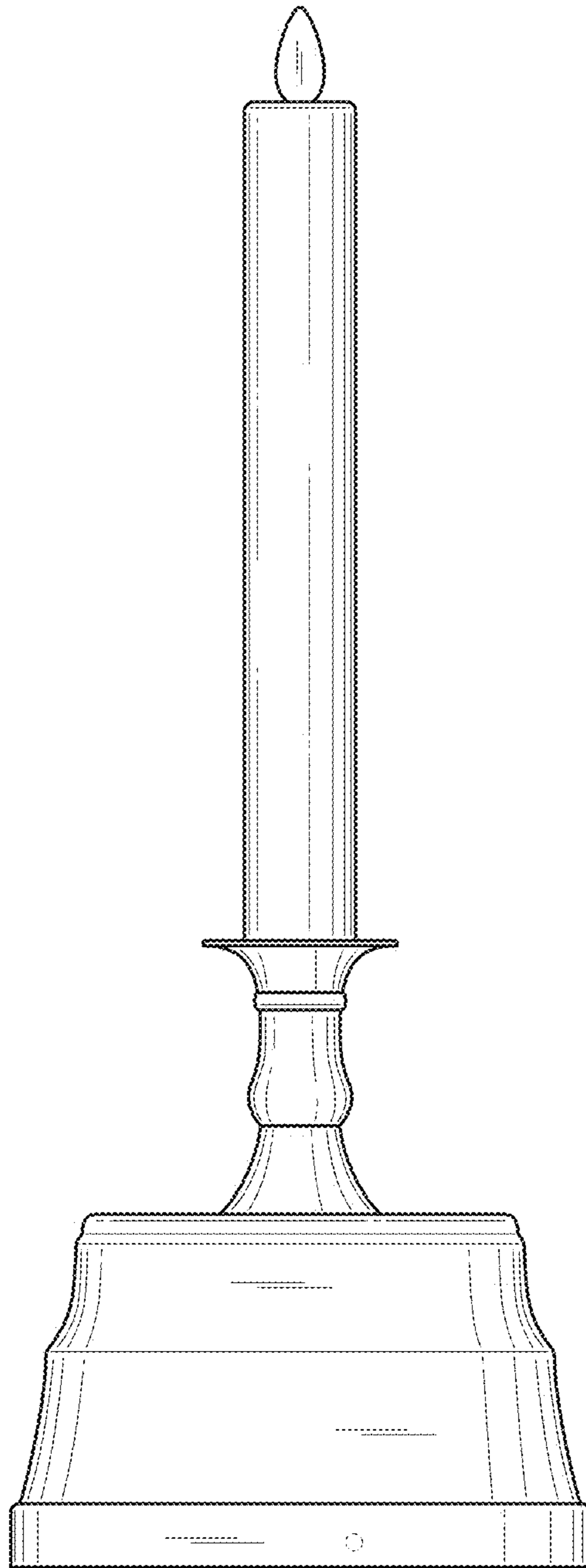
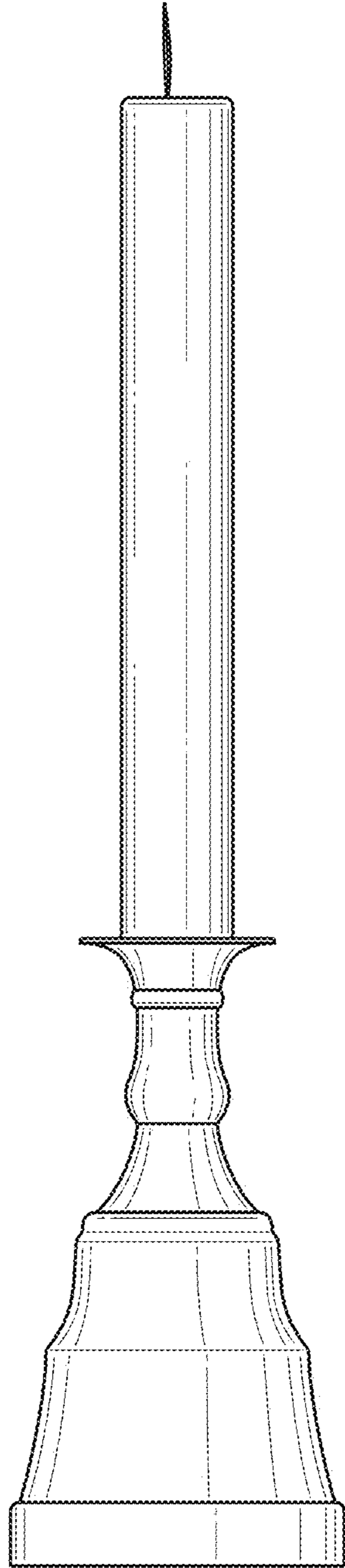


Fig. 1



**Fig. 2**



**Fig. 3**

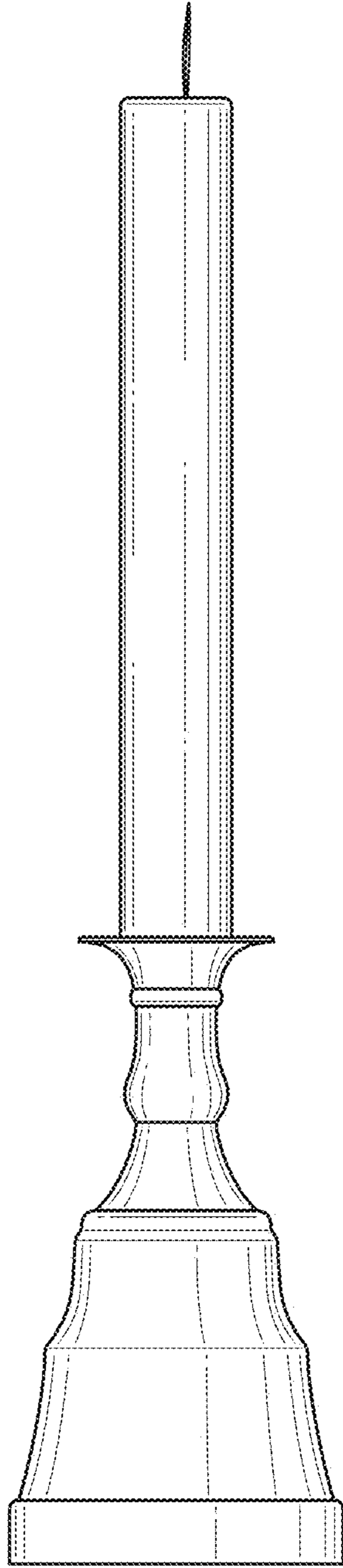
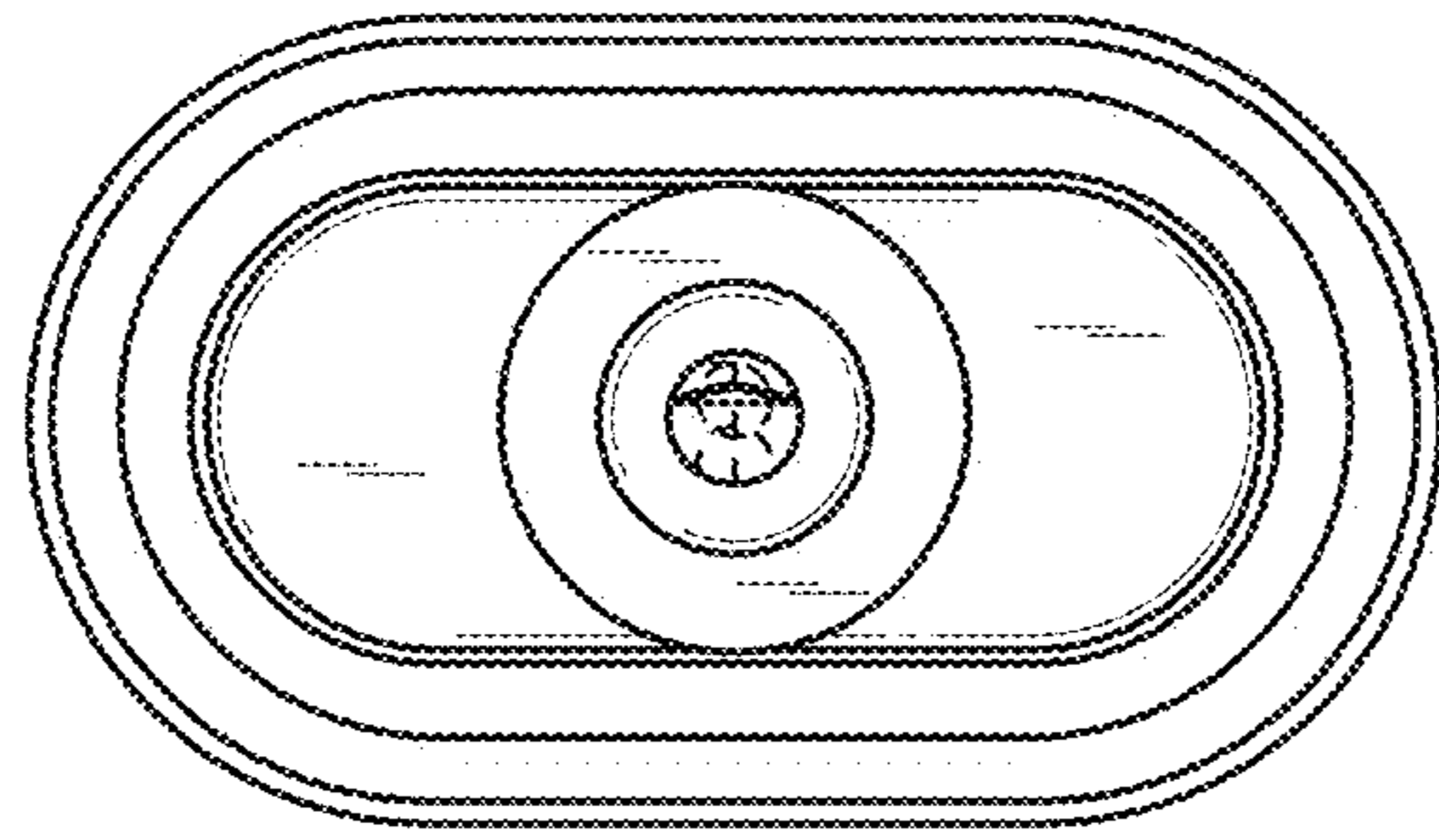
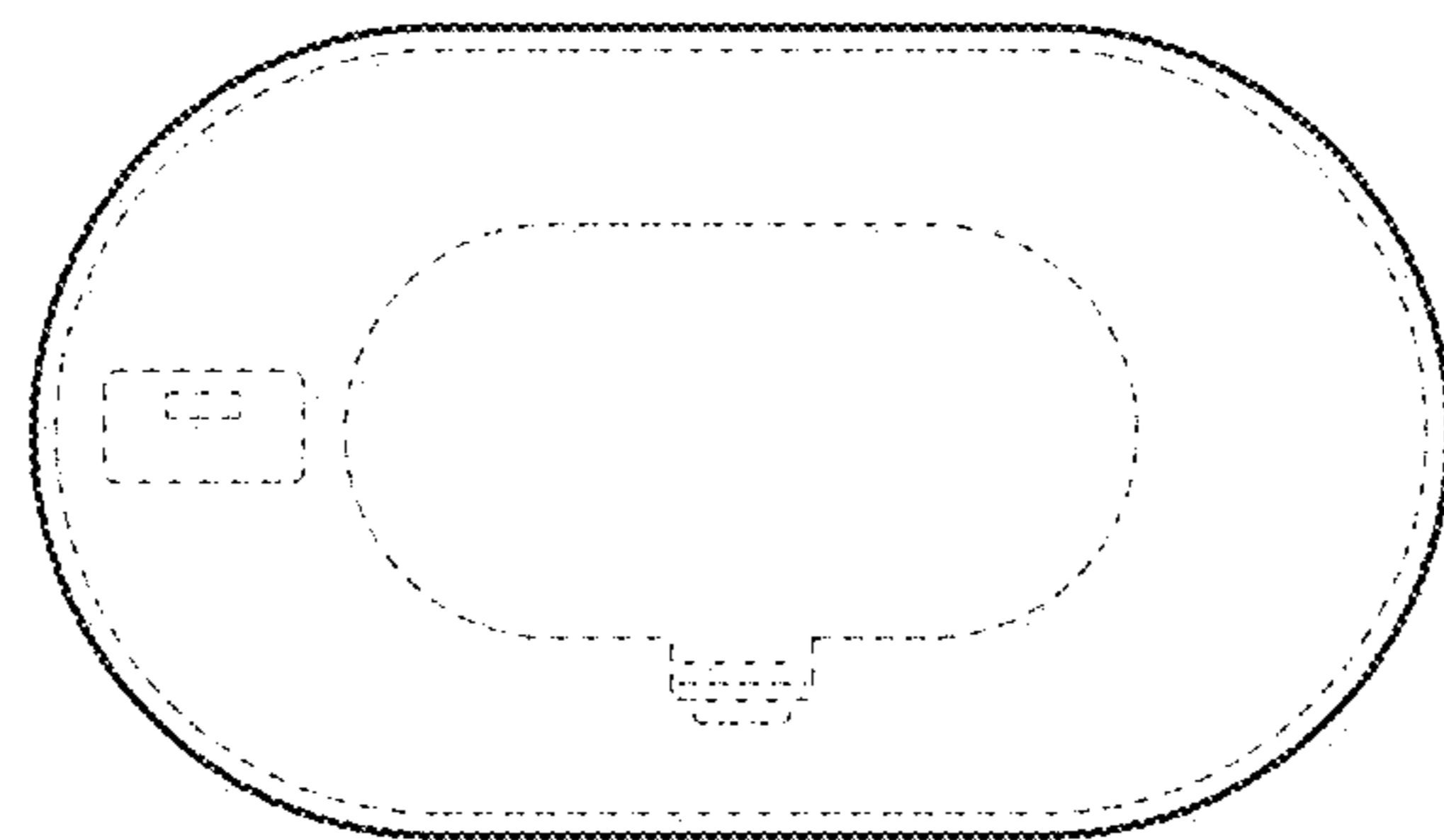


Fig. 4



**Fig. 5**



**Fig. 6**

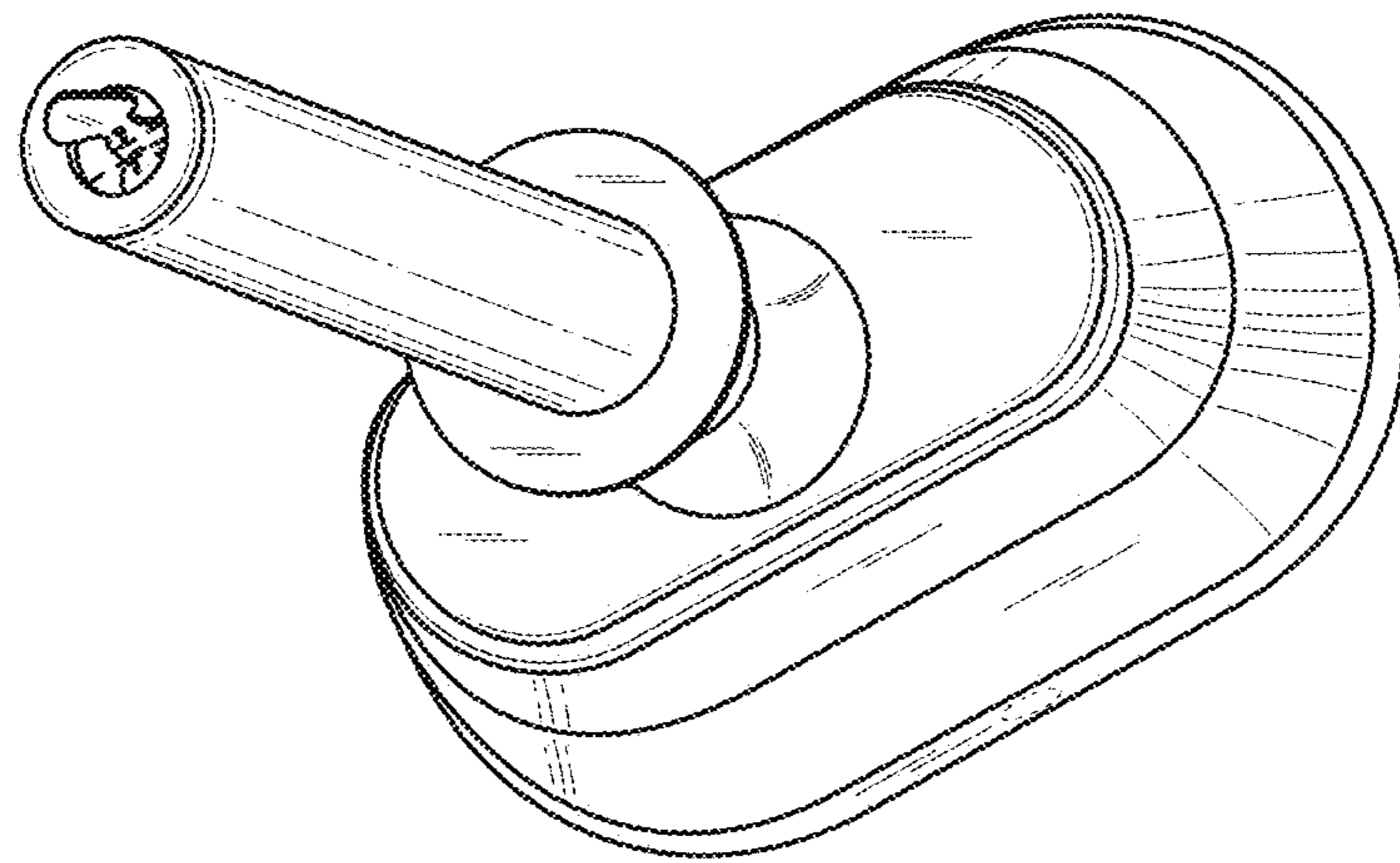
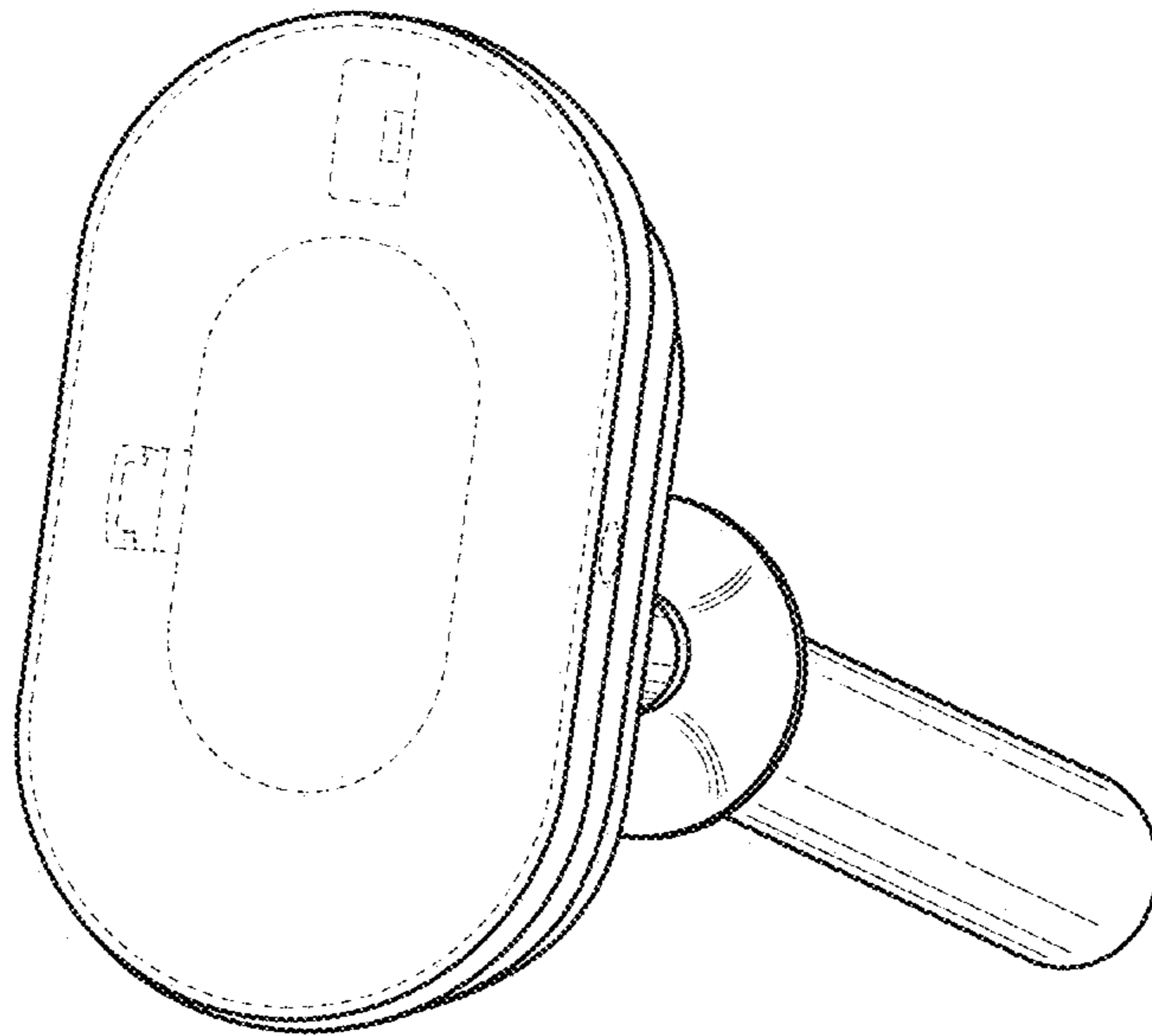


Fig. 7



**Fig. 8**