



US00D759878S

(12) **United States Design Patent**
Pessenda

(10) **Patent No.:** **US D759,878 S**
(45) **Date of Patent:** **** Jun. 21, 2016**

(54) **GARDEN HOSE LIGHT**

(56) **References Cited**

(71) Applicant: **Jodi B. Pessenda**, Delray Beach, FL
(US)

U.S. PATENT DOCUMENTS

(72) Inventor: **Jodi B. Pessenda**, Delray Beach, FL
(US)

D310,477 S * 9/1990 Fleecs D23/217
D356,386 S * 3/1995 Cerbini D26/94
5,836,515 A * 11/1998 Fonzes B05B 1/24
261/DIG. 48
D444,537 S * 7/2001 Giles D23/214
D727,465 S * 4/2015 Gladstone D23/214

(**) Term: **14 Years**

* cited by examiner

(21) Appl. No.: **29/508,446**

Primary Examiner — Brian N Vinson
(74) *Attorney, Agent, or Firm* — Malin Haley DiMaggio & Bowen, P.A.

(22) Filed: **Nov. 6, 2014**

(57) **CLAIM**
The ornamental design for a garden hose light, as shown and described.

(51) **LOC (10) Cl.** **26-03**

(52) **U.S. Cl.**
USPC **D26/94**

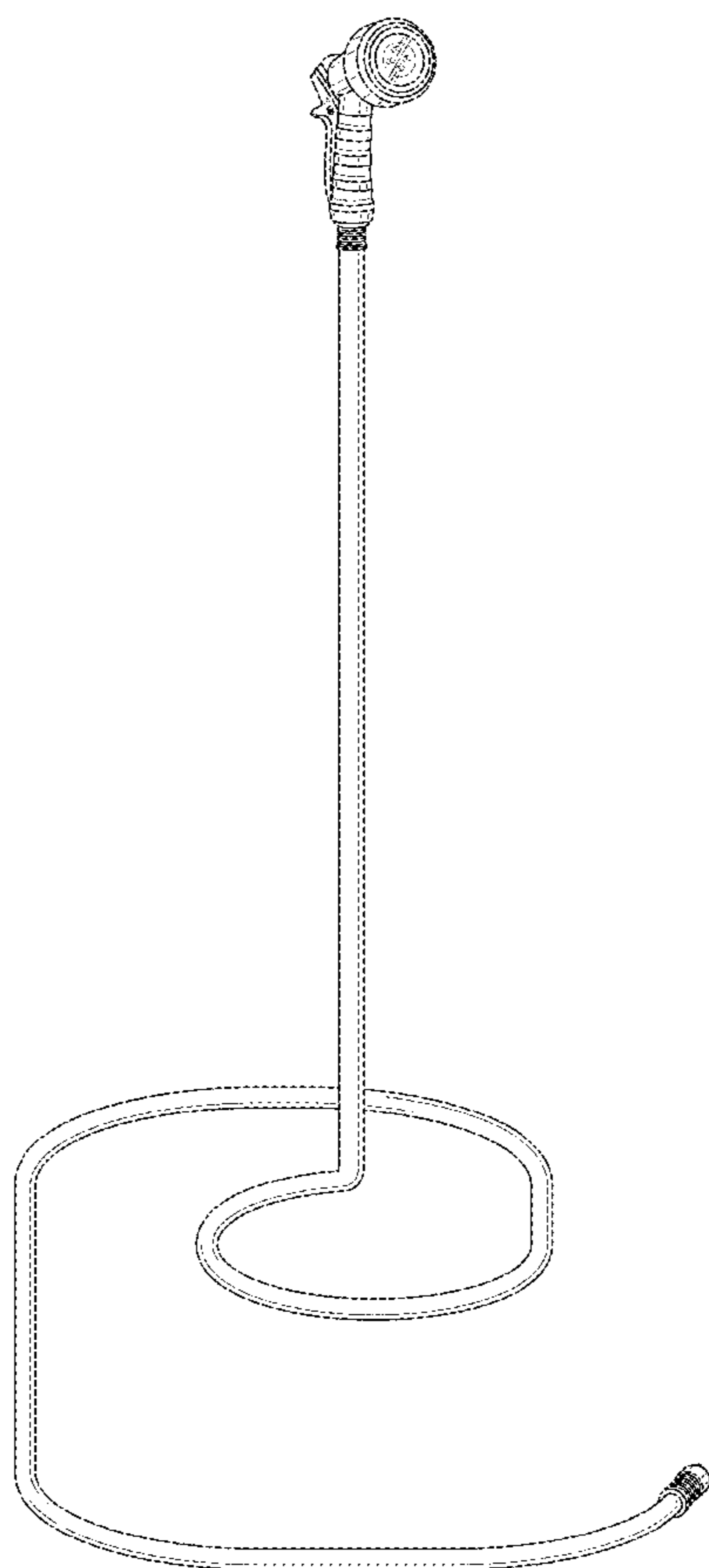
DESCRIPTION

(58) **Field of Classification Search**
USPC D26/94, 24; D23/214, 217
CPC B05B 1/24; F21S 8/08; F21S 8/043;
F21S 6/00; F21S 6/004; F21V 33/00; F21W
2121/00; F21W 2131/10; F21W 2131/30

FIG. 1 is a perspective view of the present invention, showing the new design of the garden hose light;
FIG. 2 is a front elevational view thereof;
FIG. 3 is a rear elevational view thereof;
FIG. 4 is a left side elevational view thereof;
FIG. 5 is a right side elevational view thereof;
FIG. 6 is a top plan view thereof; and,
FIG. 7 is a bottom plan view thereof.

See application file for complete search history.

1 Claim, 7 Drawing Sheets



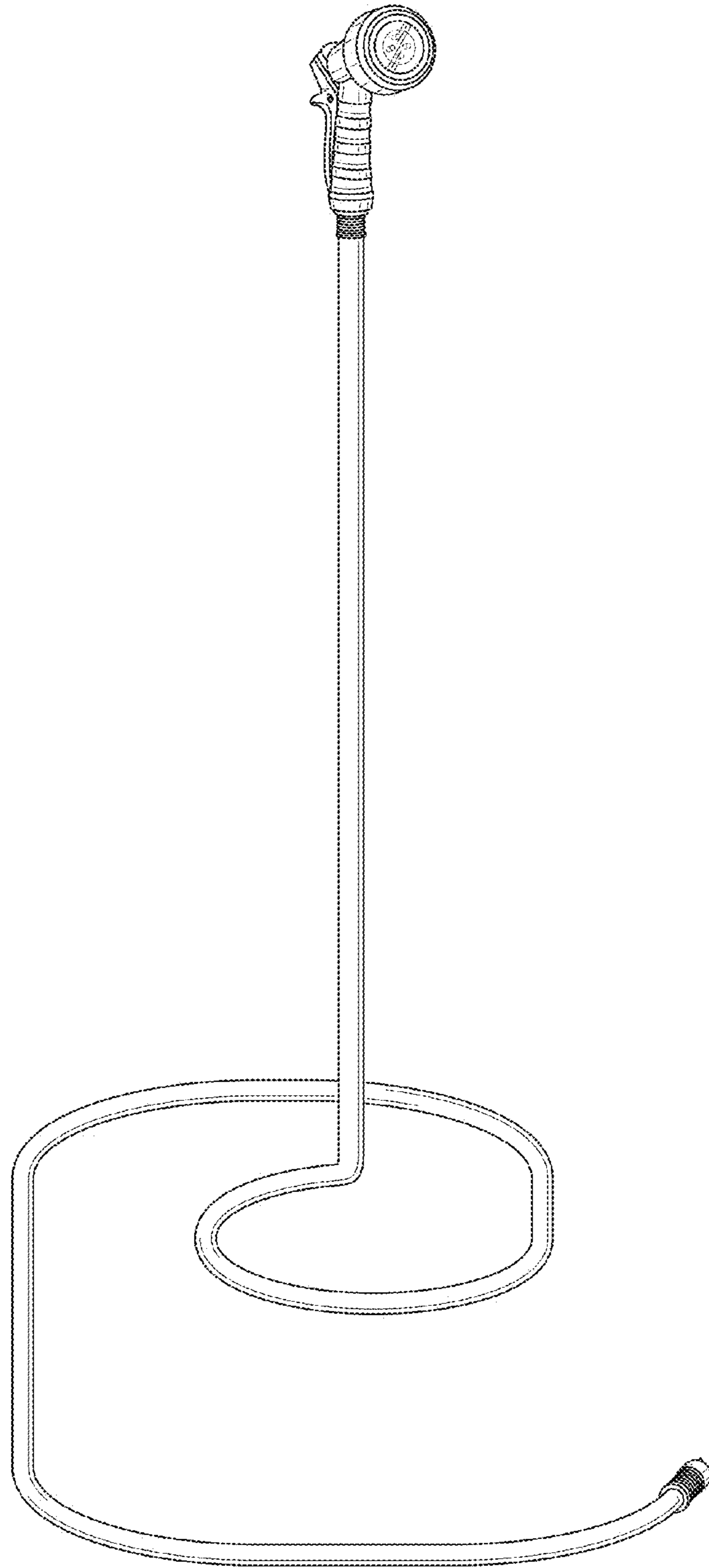


FIG. 1

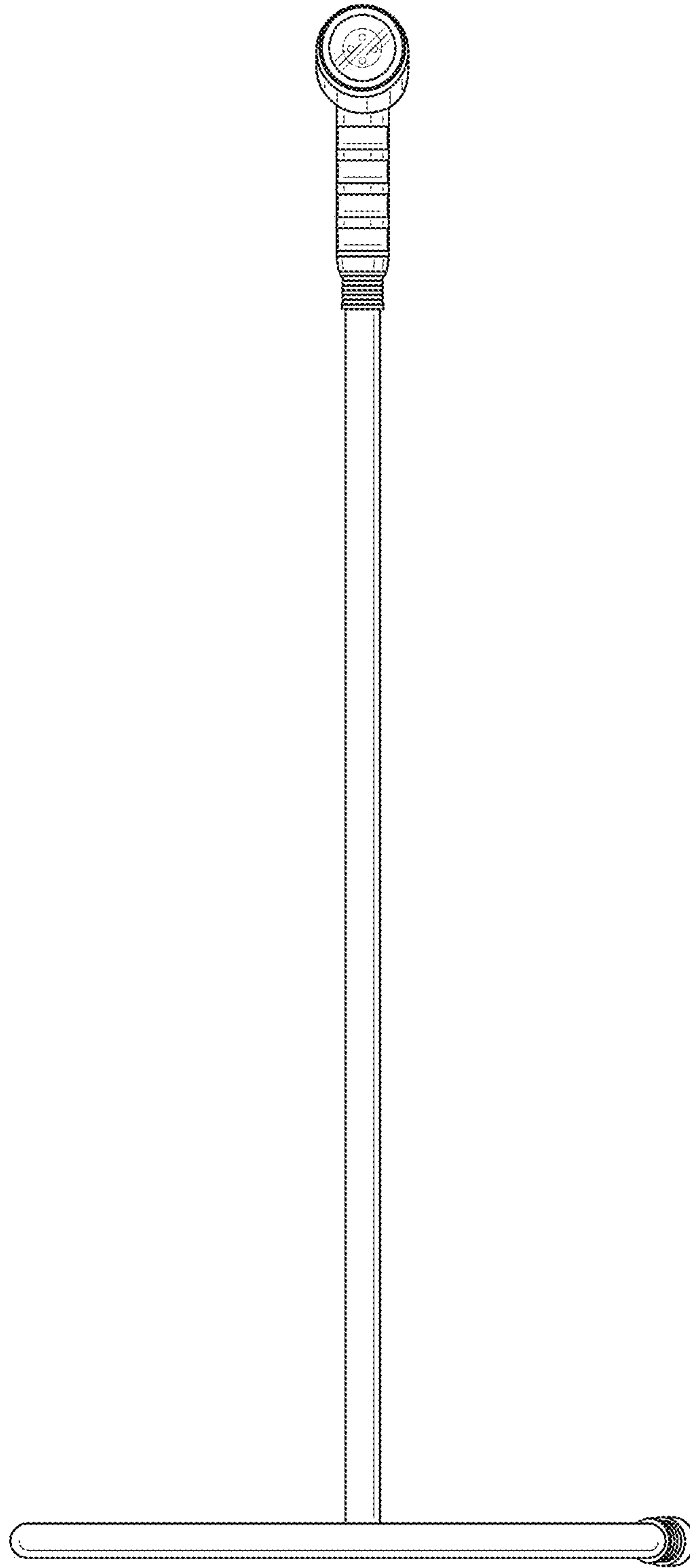


FIG. 2

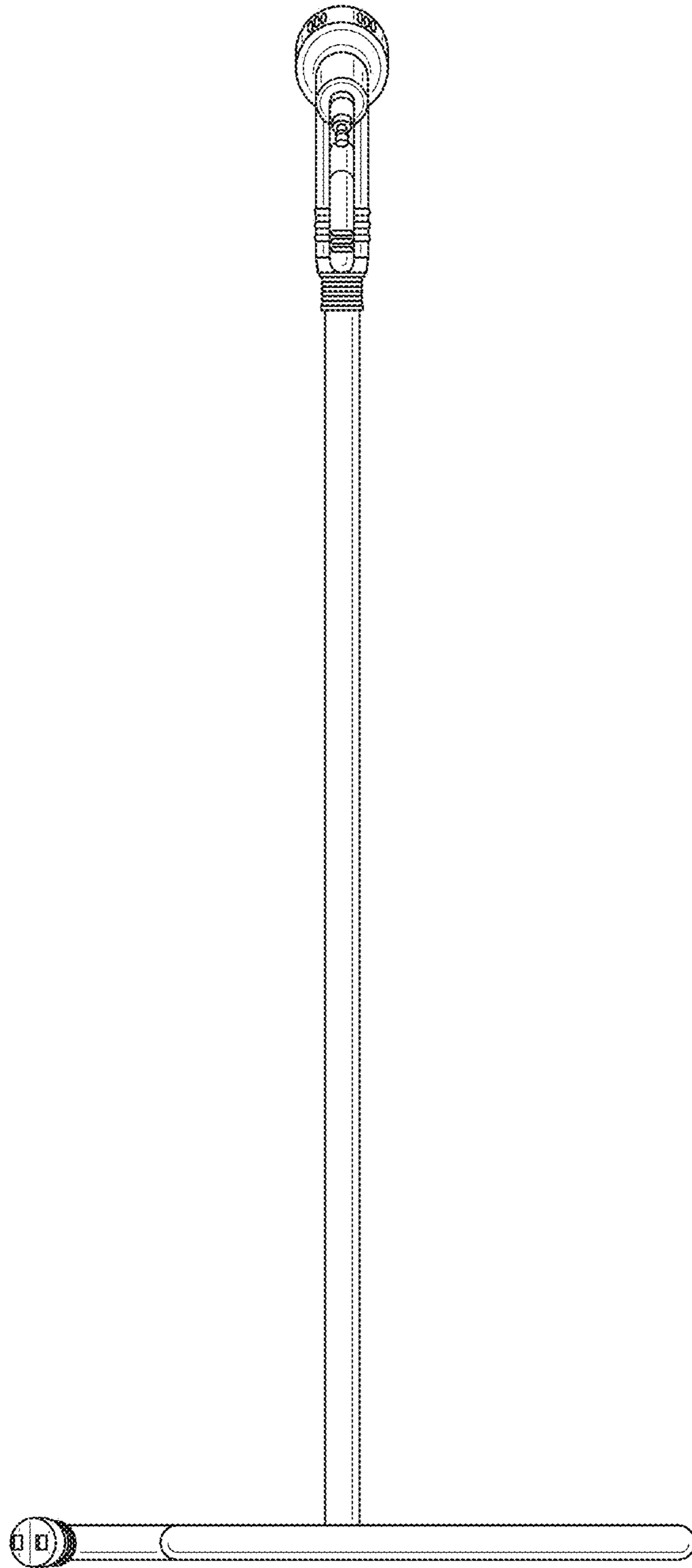


FIG. 3

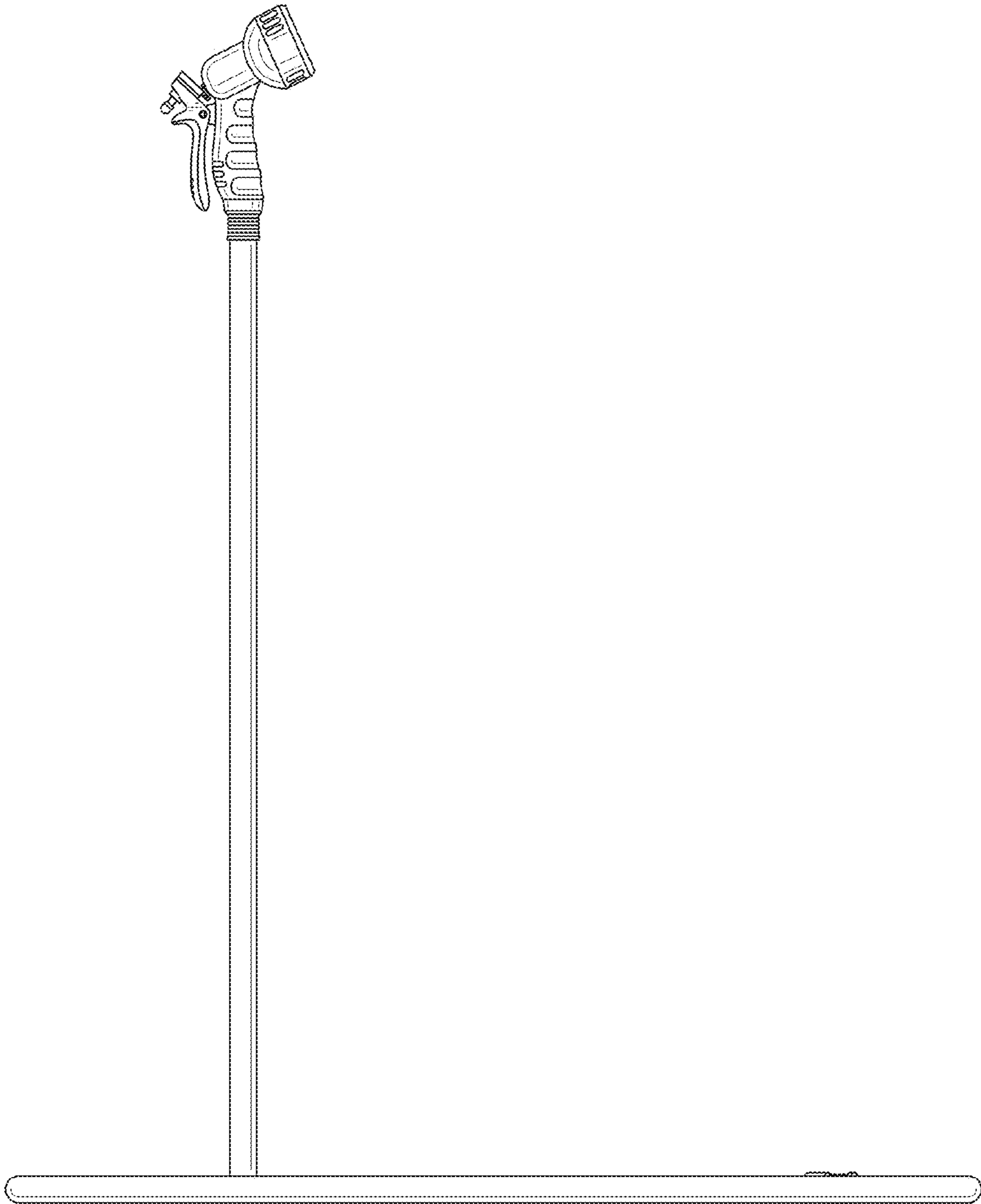


FIG. 4

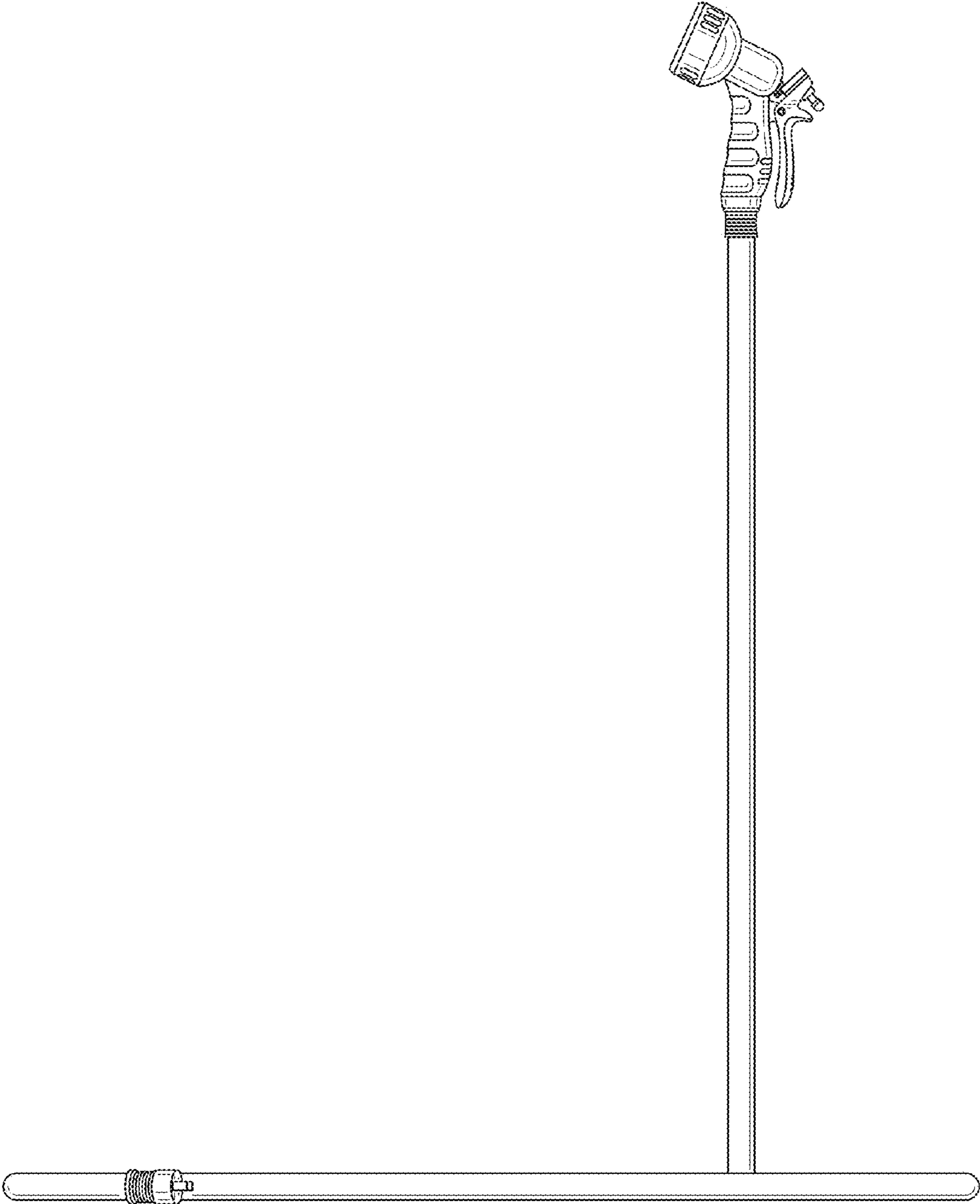


FIG. 5

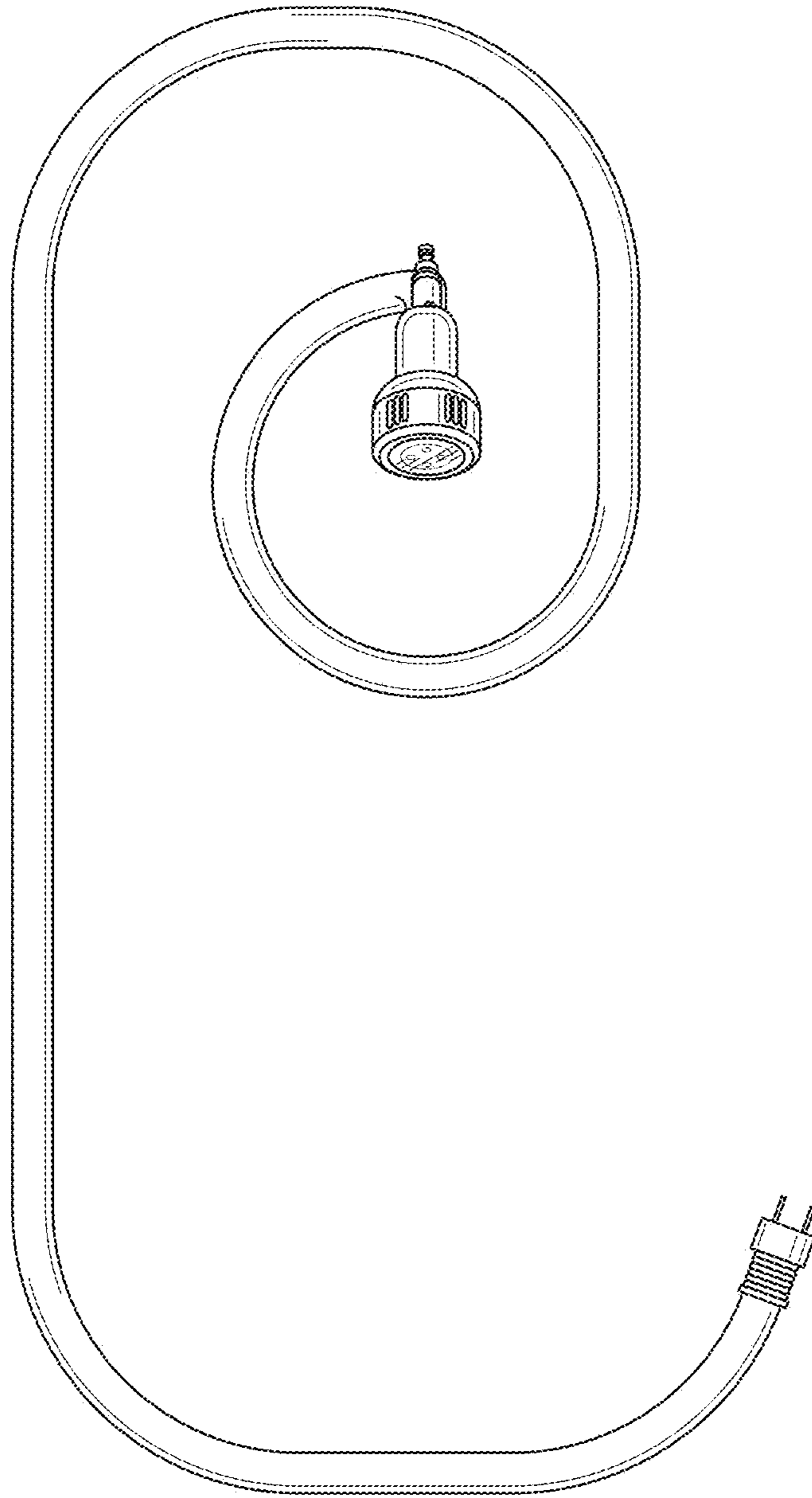


FIG. 6

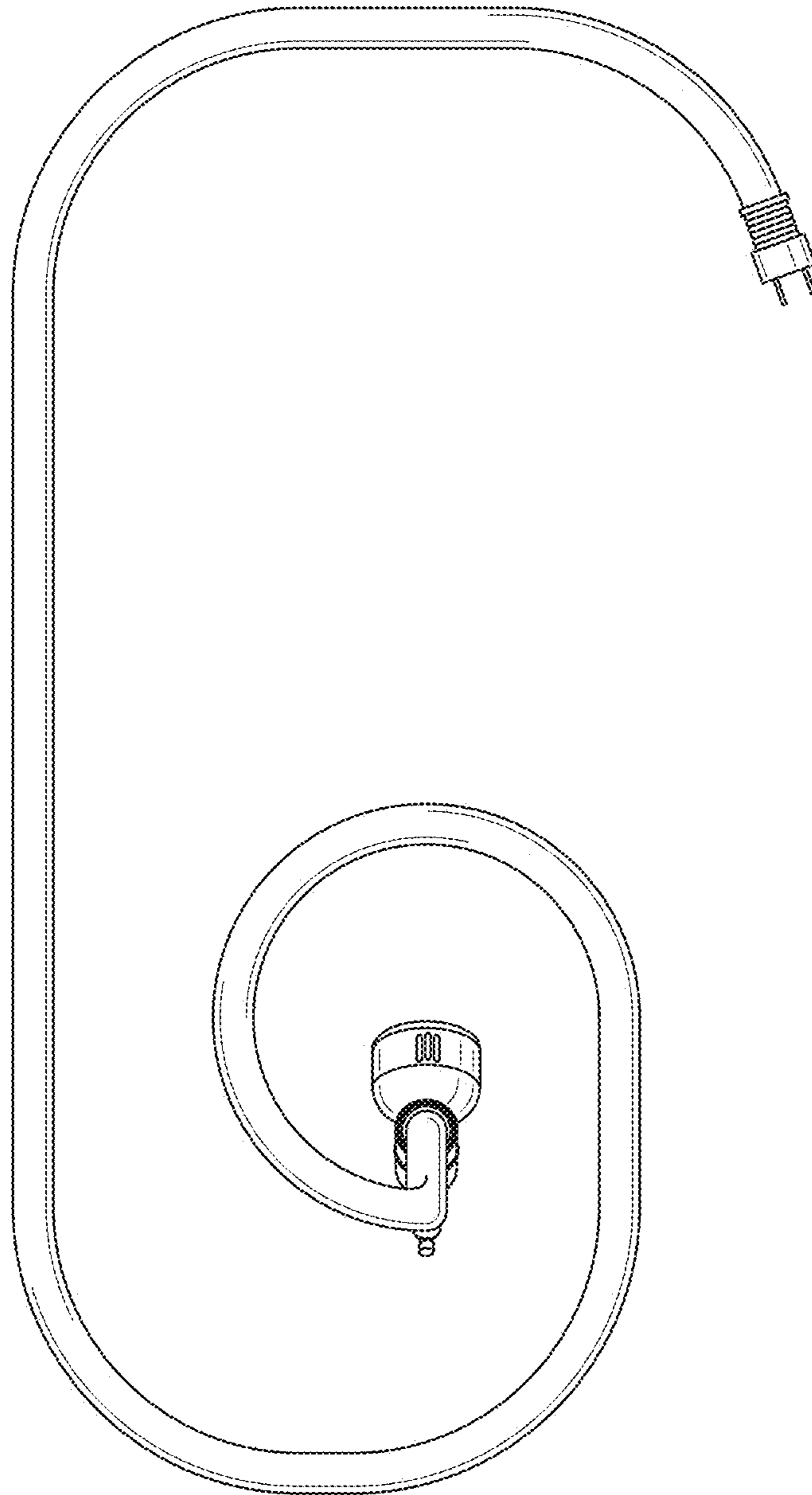


FIG. 7