



US00D759877S

(12) **United States Design Patent**  
**Hewitt et al.**

(10) **Patent No.:** **US D759,877 S**  
(45) **Date of Patent:** **\*\* Jun. 21, 2016**

(54) **ROUND LUMINAIRE**

(71) Applicants: **Courtney P. Hewitt**, Charlestown, MA (US); **Matthew Parker**, Lee, NH (US); **Yvetta Pols Sandhu**, Winchester, MA (US)

(72) Inventors: **Courtney P. Hewitt**, Charlestown, MA (US); **Matthew Parker**, Lee, NH (US); **Yvetta Pols Sandhu**, Winchester, MA (US)

(73) Assignee: **OSRAM SYLVANIA Inc.**, Wilmington, MA (US)

(\*\*) Term: **14 Years**

(21) Appl. No.: **29/491,873**

(22) Filed: **May 27, 2014**

(51) **LOC (10) Cl.** ..... **26-03**

(52) **U.S. Cl.**  
USPC ..... **D26/89**

(58) **Field of Classification Search**  
USPC ..... D26/72, 80, 82, 83, 84, 85, 86, 89, 118, D26/120, 128-137  
CPC ..... F21S 8/03; F21S 8/033; F21S 8/04; F21V 3/04; F21V 3/0418; F21V 3/0427; F21V 3/0436; F21V 3/0445; F21V 21/02; F21V 21/03; F21V 29/506; F21V 3/049; F21V 5/045; F21V 7/04; F21V 11/06  
See application file for complete search history.

(56) **References Cited**

**U.S. PATENT DOCUMENTS**

D50,208 S *	1/1917	Peck	.....	D26/131
D63,886 S *	2/1924	Dickerson	.....	D26/132
D67,028 S *	4/1925	Grant	.....	D26/132
D75,637 S *	6/1928	Moore	.....	D26/132
D79,999 S *	11/1929	Tillson	.....	D26/132
1,781,729 A *	11/1930	Major	.....	F21V 17/18 292/114

D190,827 S *	7/1961	Phillips	.....	D26/89
4,866,329 A *	9/1989	Ferenc	.....	B60Q 1/2611 313/113
5,491,618 A *	2/1996	Vakil	.....	F21V 3/00 362/147
6,530,681 B2 *	3/2003	Sieczkowski	.....	F21S 8/04 362/147
7,237,924 B2 *	7/2007	Martineau	.....	F21V 5/045 362/231
D549,385 S *	8/2007	Lissoni	.....	D26/89
D617,485 S *	6/2010	Hamilton	.....	D26/67
D641,517 S *	7/2011	Sprengers	.....	D26/89
D689,236 S *	9/2013	Wang	.....	D26/59
D727,549 S *	4/2015	Wang	.....	D26/85
D727,552 S *	4/2015	Stolte	.....	D26/89
D729,970 S *	5/2015	Jepson	.....	D26/89
9,022,600 B2 *	5/2015	Mizuta	.....	F21S 8/04 362/231

\* cited by examiner

*Primary Examiner* — Clare E Heflin

(74) *Attorney, Agent, or Firm* — Shaun P. Montana

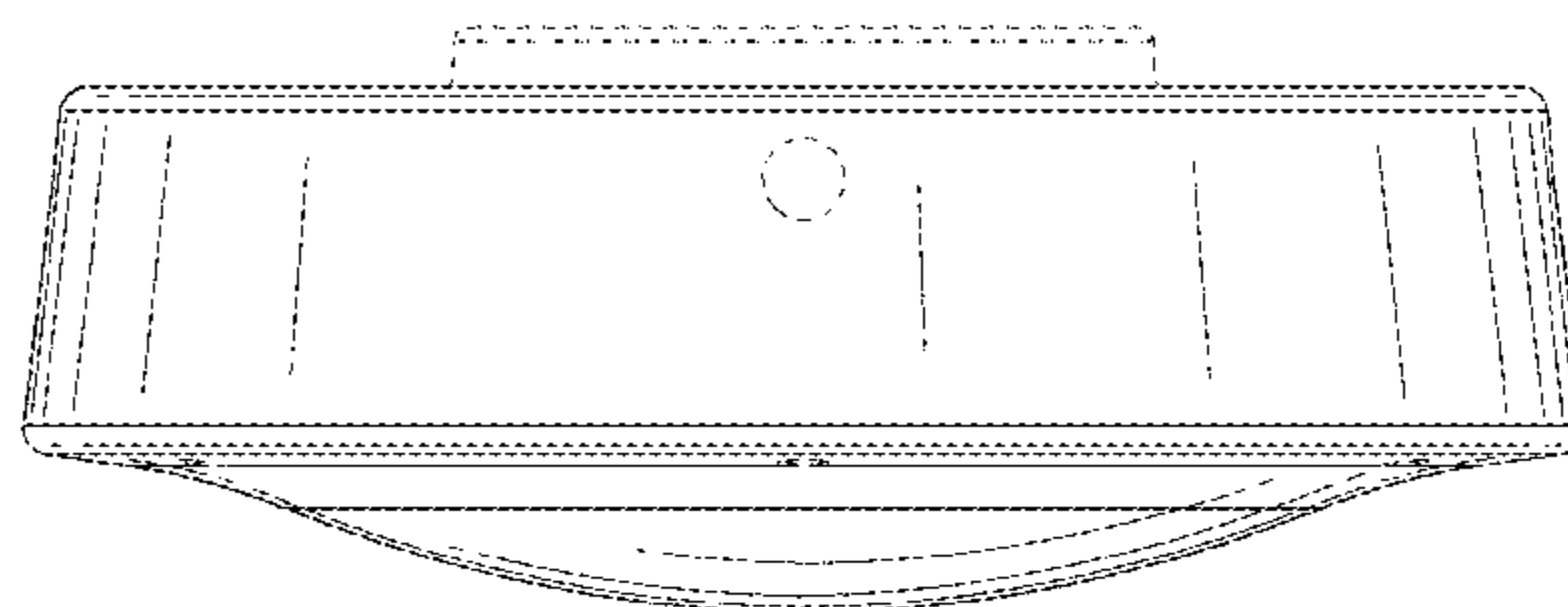
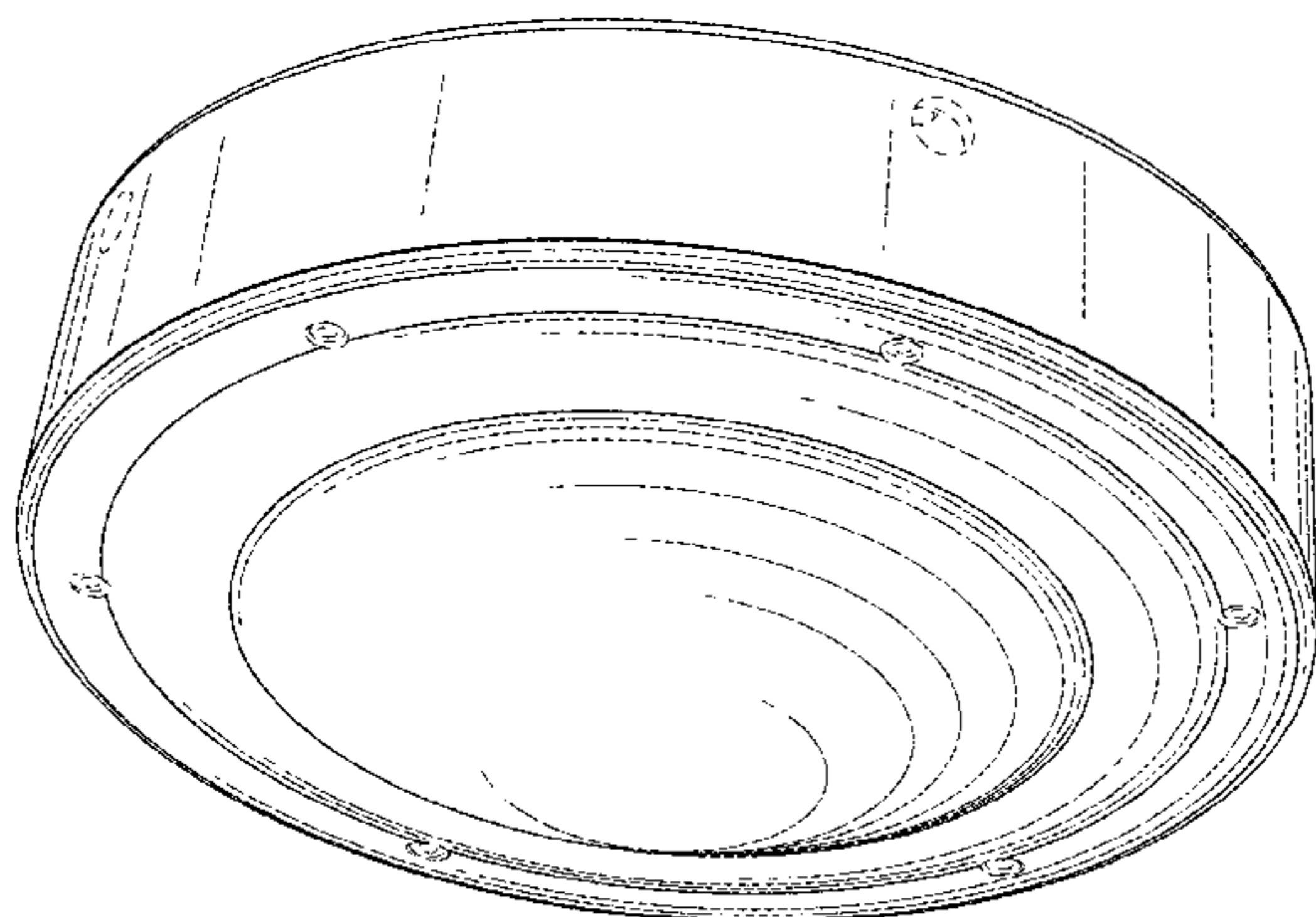
(57) **CLAIM**

The ornamental design for a round luminaire, as shown and described.

**DESCRIPTION**

FIG. 1 is a bottom perspective view of a round luminaire showing a first embodiment of the new design; FIG. 2 is a bottom plan view thereof; FIG. 3 is a side elevation view thereof; FIG. 4 is a top plan view thereof; FIG. 5 is top perspective view thereof; FIG. 6 is a bottom perspective view of a round luminaire showing a second embodiment of the new design; FIG. 7 is a bottom plan view thereof; FIG. 8 is a side elevation view thereof; FIG. 9 is a top plan view thereof; and, FIG. 10 is top perspective view thereof. The broken-line disclosure in the views is understood to represent portions of the article in which the claimed design is embodied, but which form no part of the claimed design.

**1 Claim, 10 Drawing Sheets**



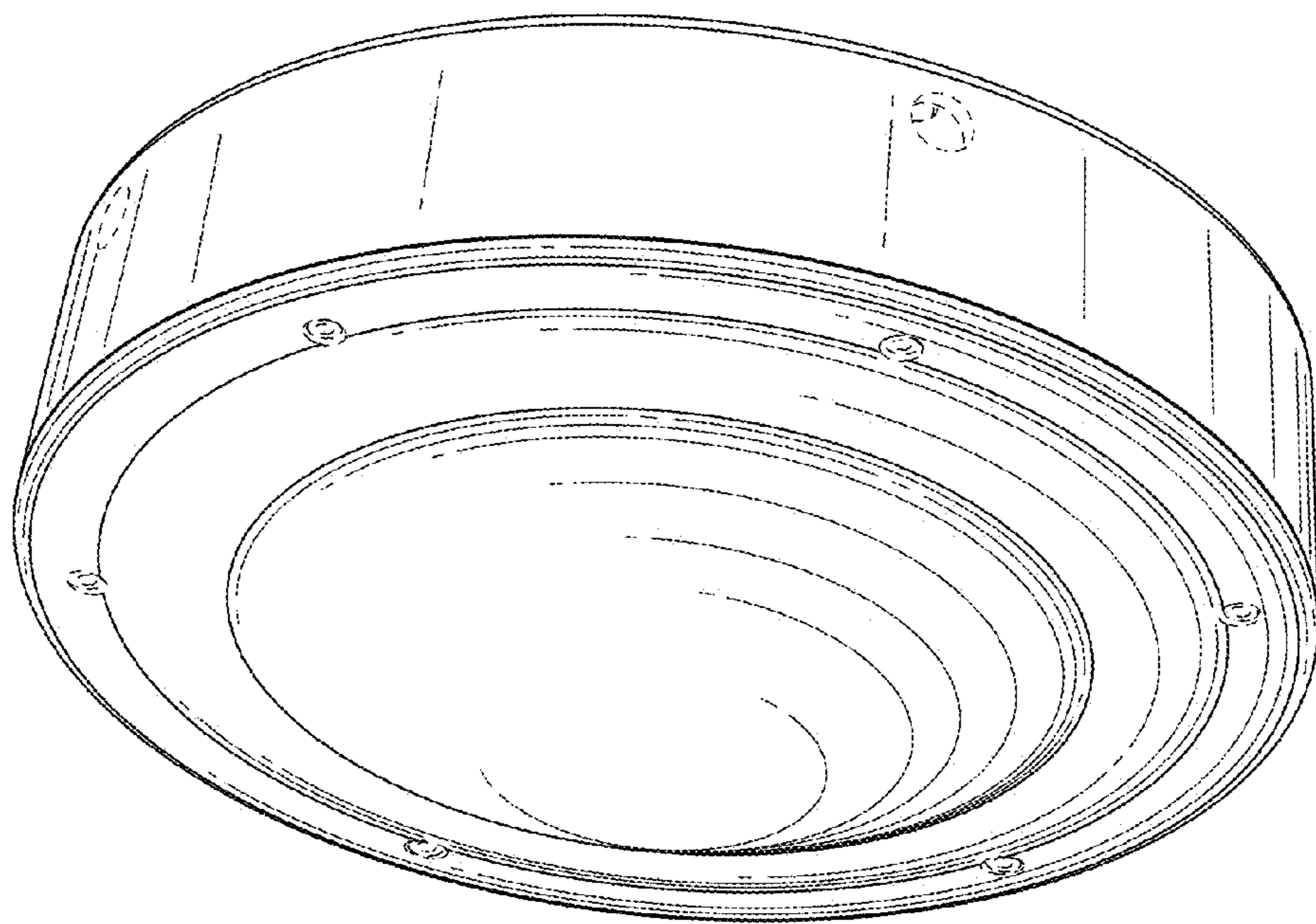


FIG. 1

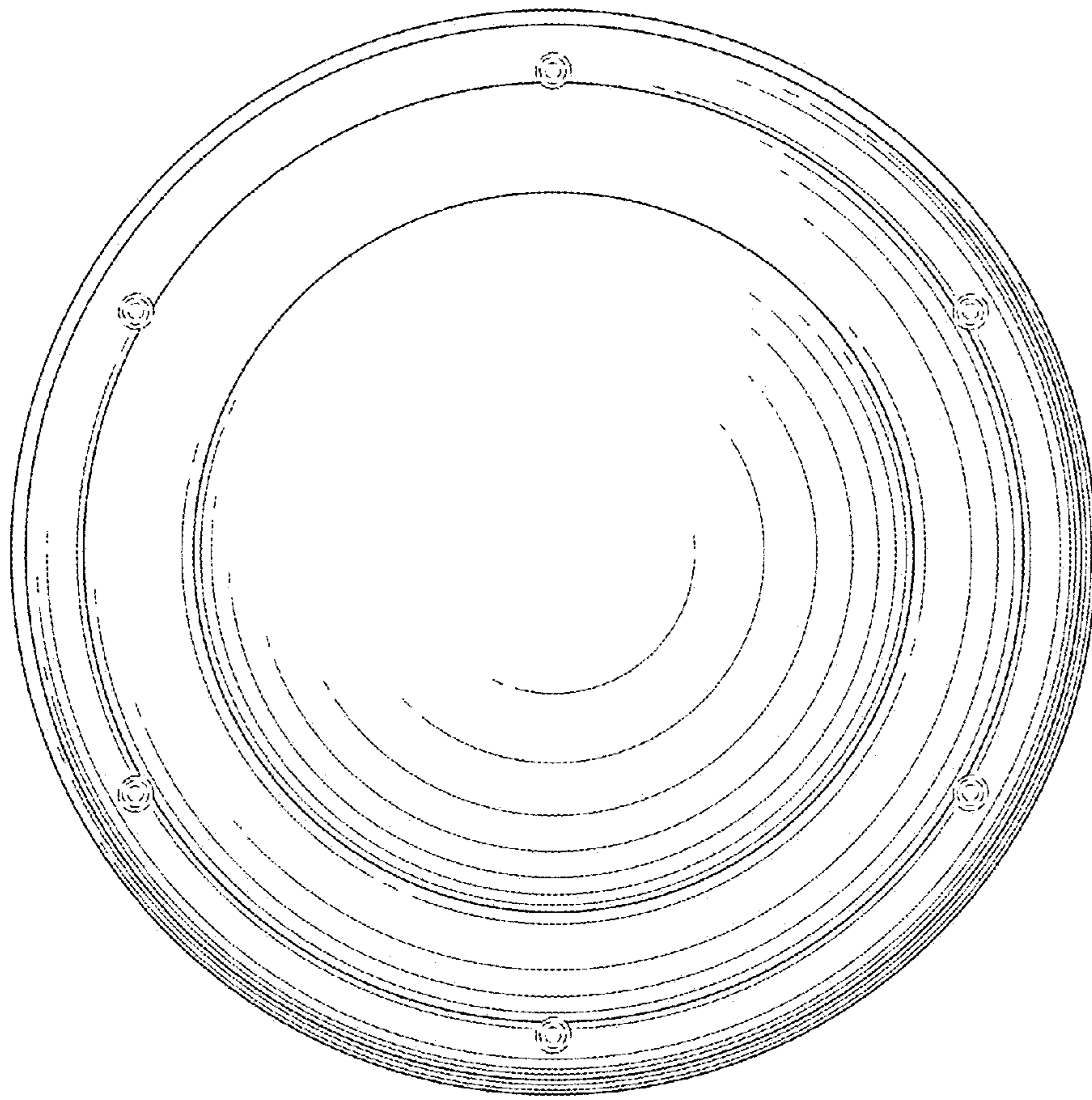


FIG. 2

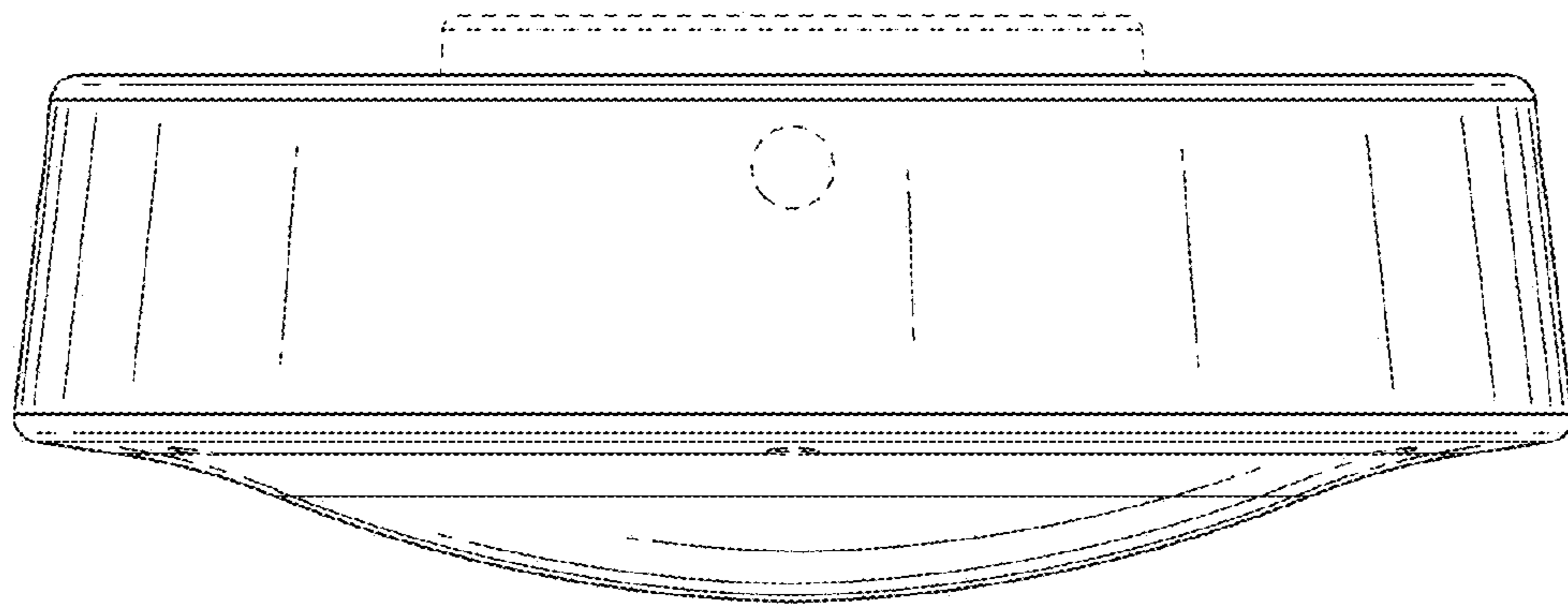


FIG. 3

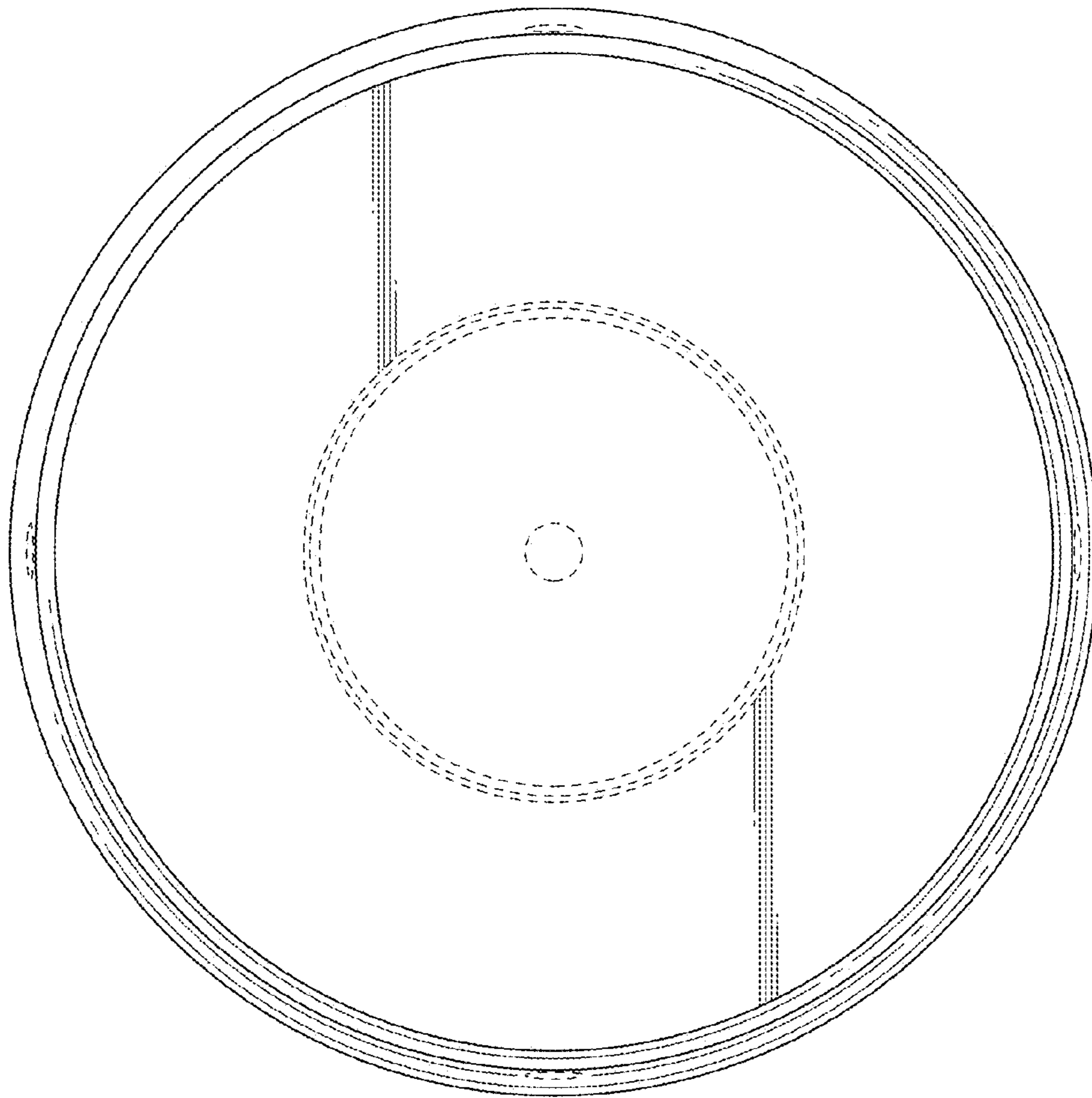


FIG. 4

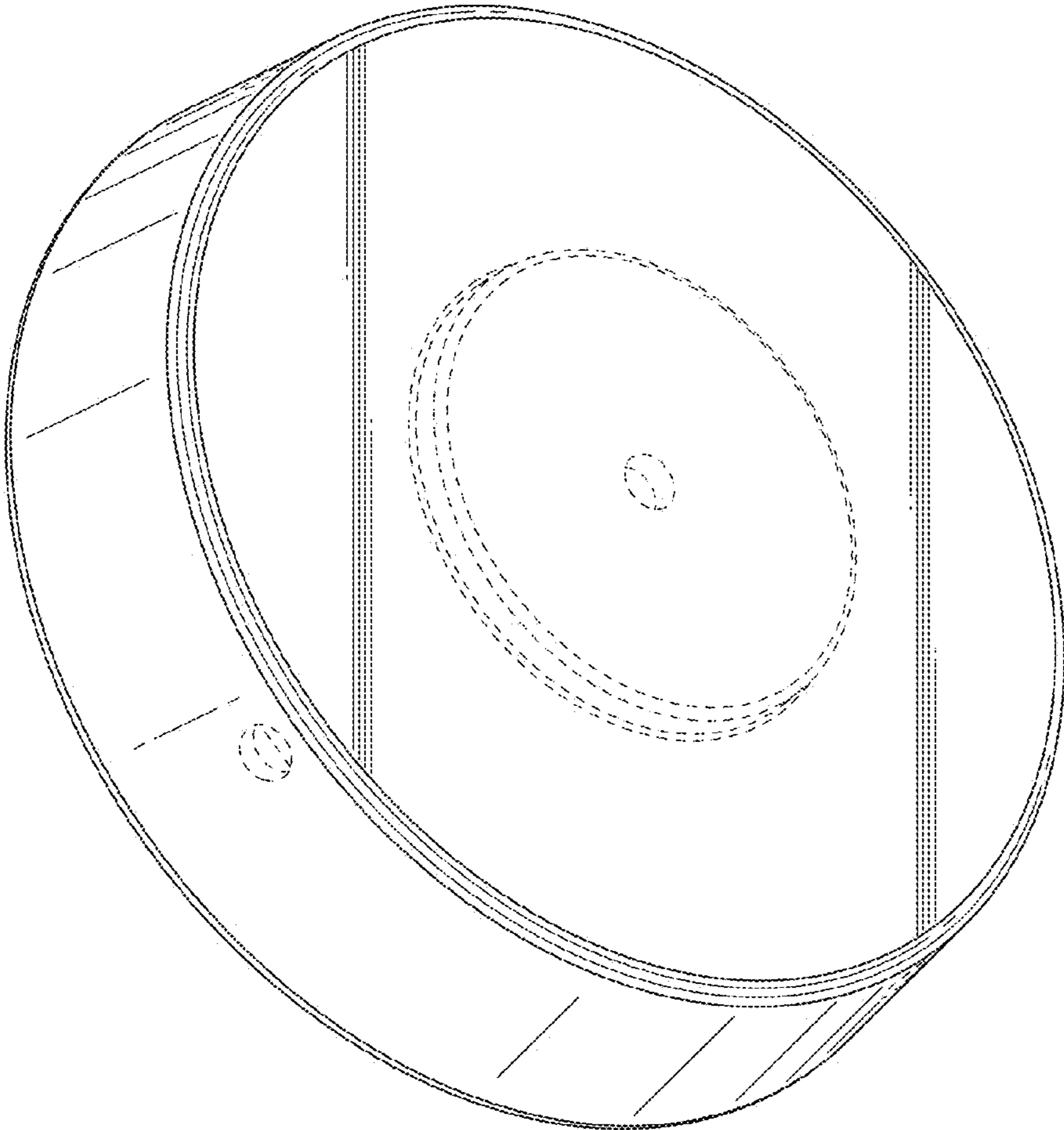


FIG. 5

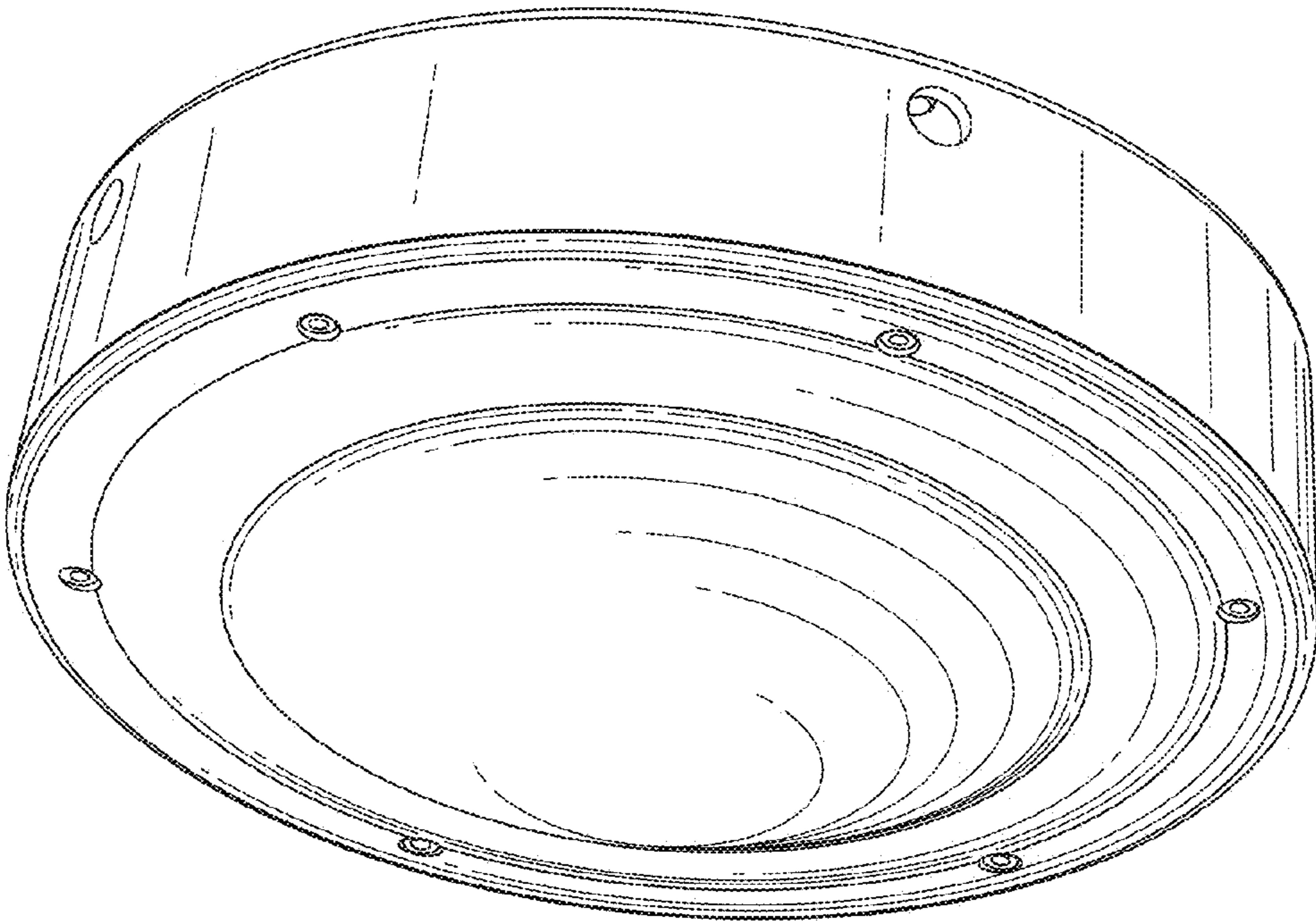


FIG. 6

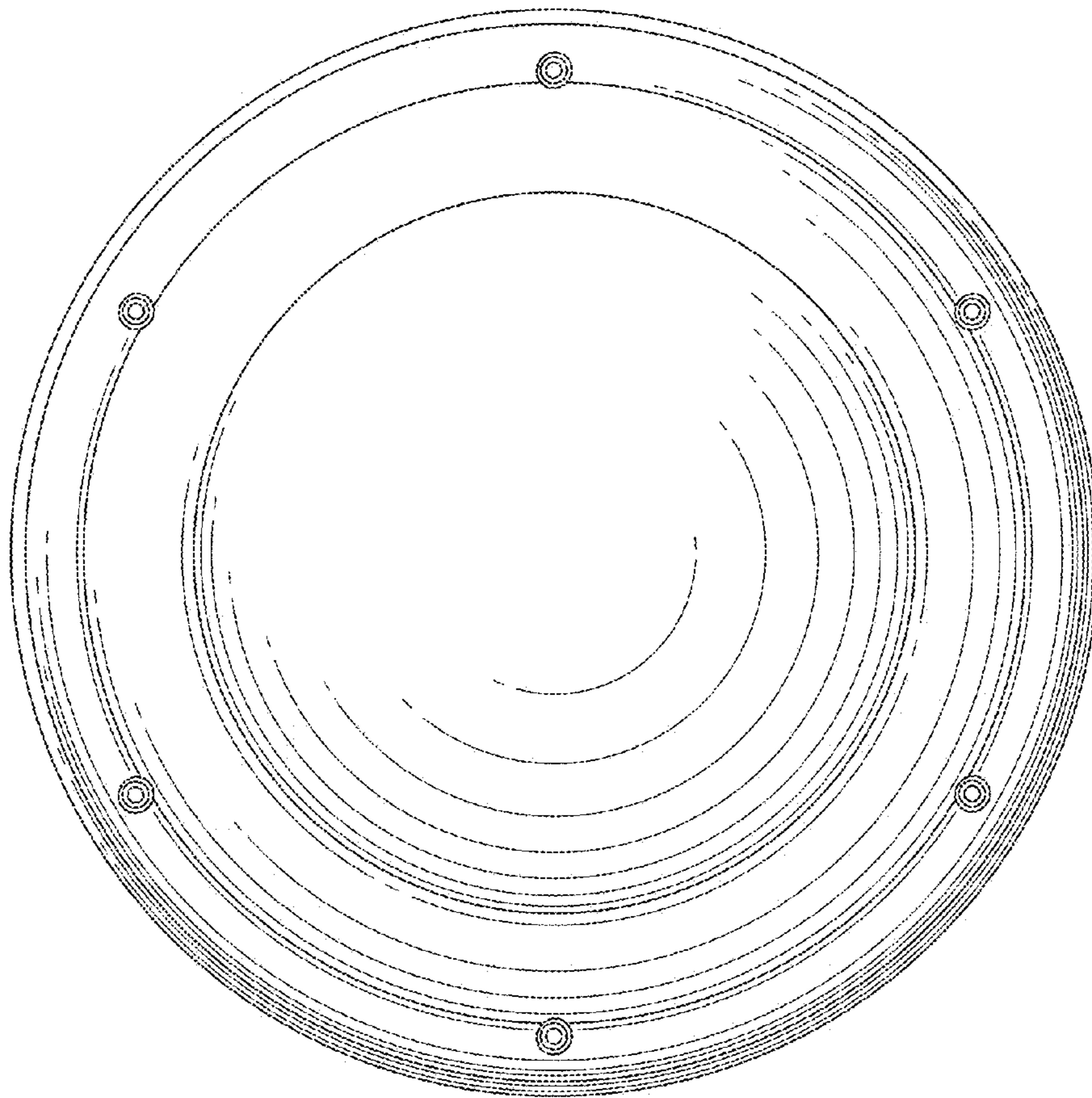


FIG. 7



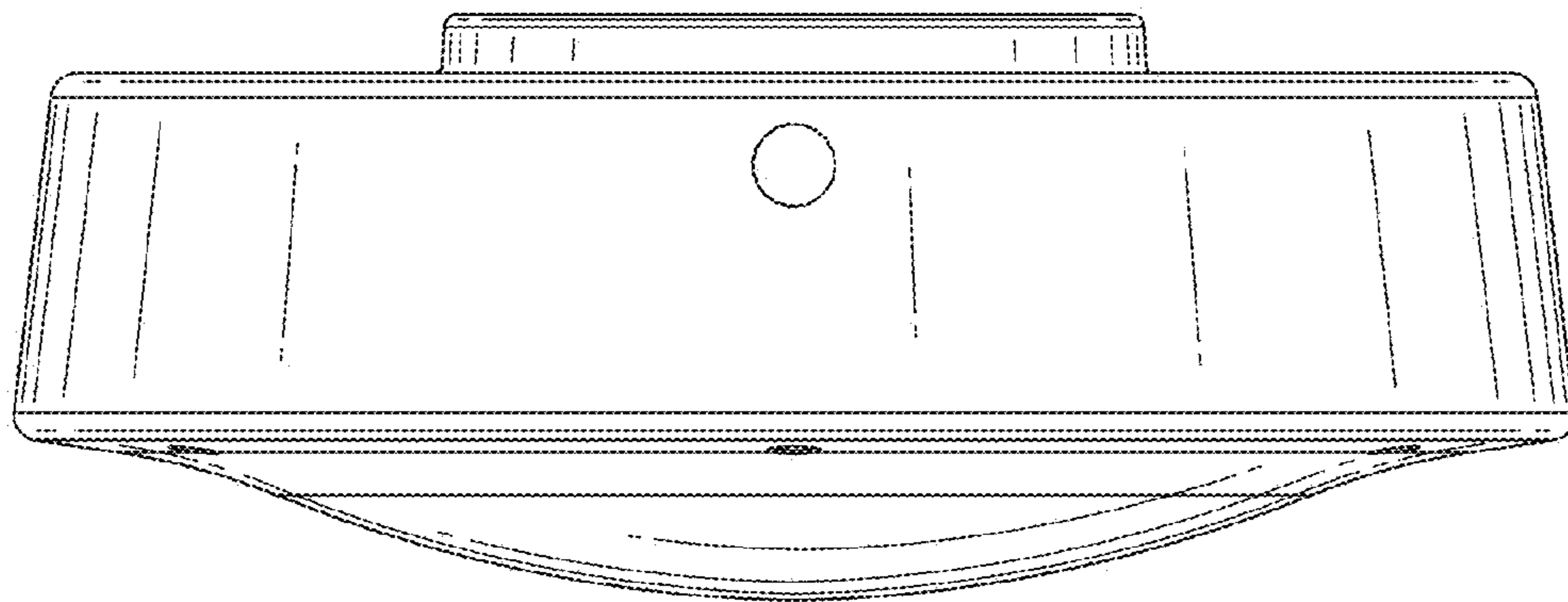


FIG. 8

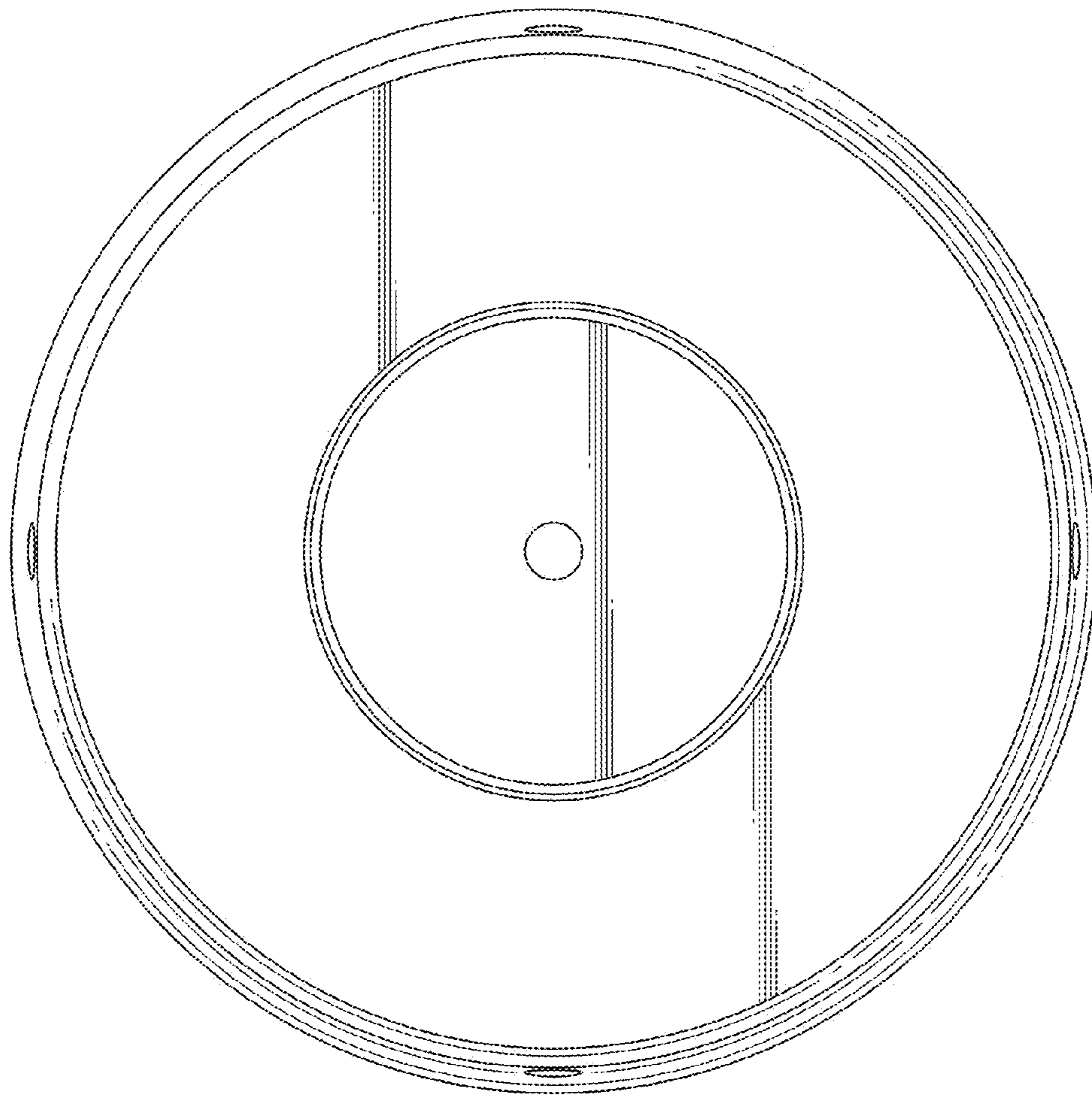


FIG. 9

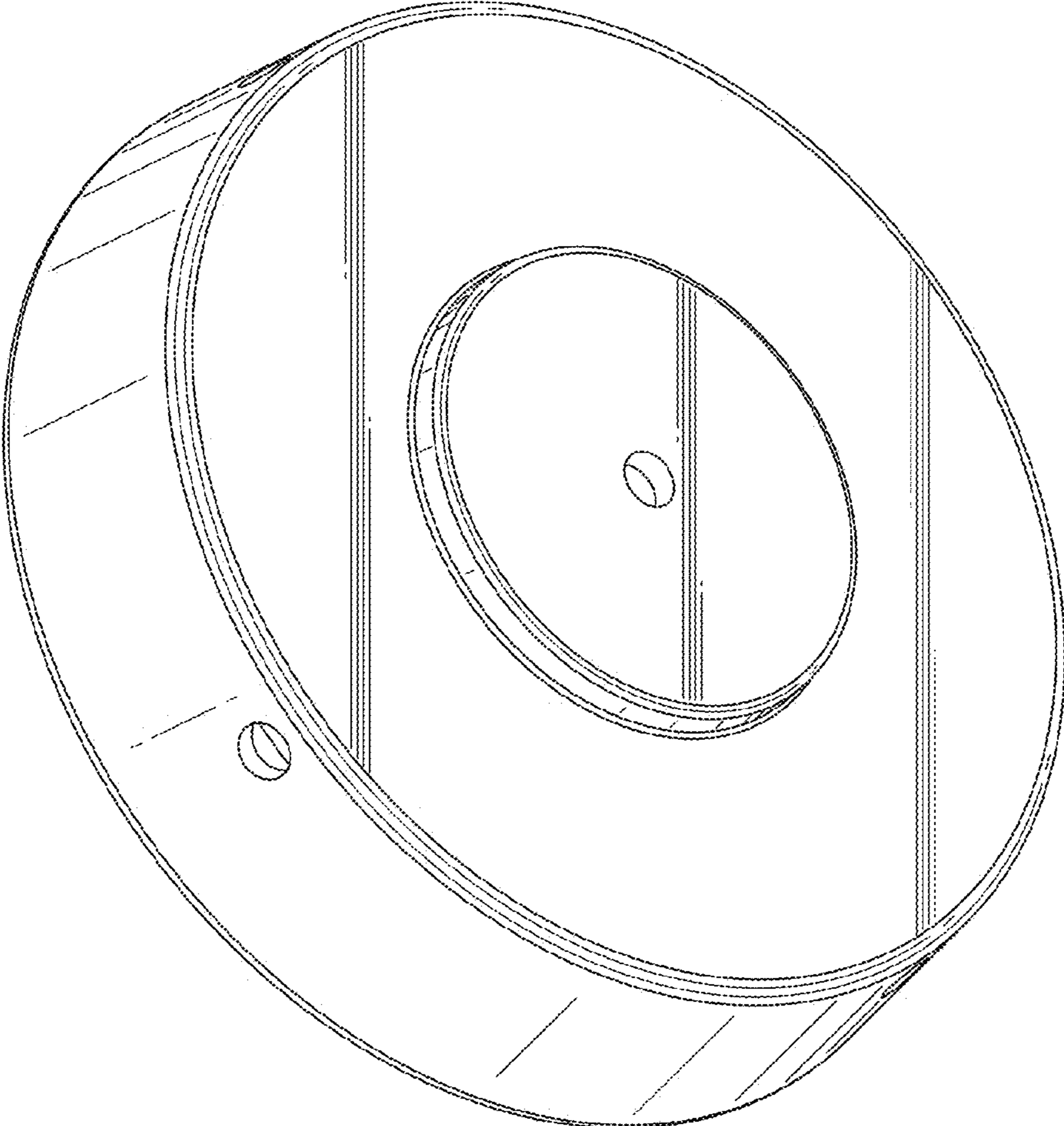


FIG. 10