



US00D759876S

(12) **United States Design Patent**
Blum et al.

(10) **Patent No.:** **US D759,876 S**
(45) **Date of Patent:** **** Jun. 21, 2016**

(54) **LUMINAIRE**

(71) Applicant: **ABL IP Holding, LLC**, Conyers, GA (US)

(72) Inventors: **Darren Blum**, San Mateo, CA (US);
Michael Trung Tran, Oakland, CA (US); **Peter Y. Y. Ngai**, Alamo, CA (US);
Jeannine Fisher Wang, Oakland, CA (US)

(73) Assignee: **ABL IP Holding, LLC**, Conyers, GA (US)

(**) Term: **14 Years**

(21) Appl. No.: **29/525,769**

(22) Filed: **May 1, 2015**

(51) **LOC (10) Cl.** **26-03**

(52) **U.S. Cl.**
USPC **D26/88**; D26/90

(58) **Field of Classification Search**
USPC D26/63, 65, 76, 80-91, 118
CPC F21S 8/06; F21S 8/061; F21S 8/063;
F21S 8/065; F21S 8/068; F21V 3/0418;
F21V 3/0427; F21V 3/0436; F21V 3/0445;
F21V 21/008; F21V 21/104

See application file for complete search history.

(56) **References Cited**

U.S. PATENT DOCUMENTS

D127,397 S *	5/1941	Johnston	362/223
D234,621 S *	3/1975	Muller	D26/80
D454,971 S *	3/2002	Crosby	D26/85
D575,892 S *	8/2008	Chandler	D26/76
D587,392 S *	2/2009	Sabernig	D26/84
D595,446 S *	6/2009	Pedersen	D26/84
D597,701 S	8/2009	Tran et al.	
D603,549 S *	11/2009	Ng	D26/80
D642,319 S *	7/2011	Sprengers	D26/85

(Continued)

Primary Examiner — Clare E Heflin

(74) *Attorney, Agent, or Firm* — Beeson Skinner Beverly, LLP

(57) **CLAIM**

The ornamental design for a luminaire, as shown and described.

DESCRIPTION

FIG. 1 is a bottom perspective view of a luminaire showing our new design;

FIG. 2 is a side elevational view thereof, the opposite side being a mirror image;

FIG. 3 is an end elevational view thereof, the opposite end being a mirror image;

FIG. 4 is a bottom plan view thereof;

FIG. 5 is a top plan view thereof; and

FIG. 6 is a cross-sectional view thereof taken along section lines 6-6 in FIG. 2.

FIG. 7 is a bottom perspective view of a luminaire showing an alternative embodiment of our new design;

FIG. 8 is a side elevational view thereof, the opposite side being a mirror image;

FIG. 9 is an end elevational view thereof, the opposite end being a mirror image;

FIG. 10 is a bottom plan view thereof;

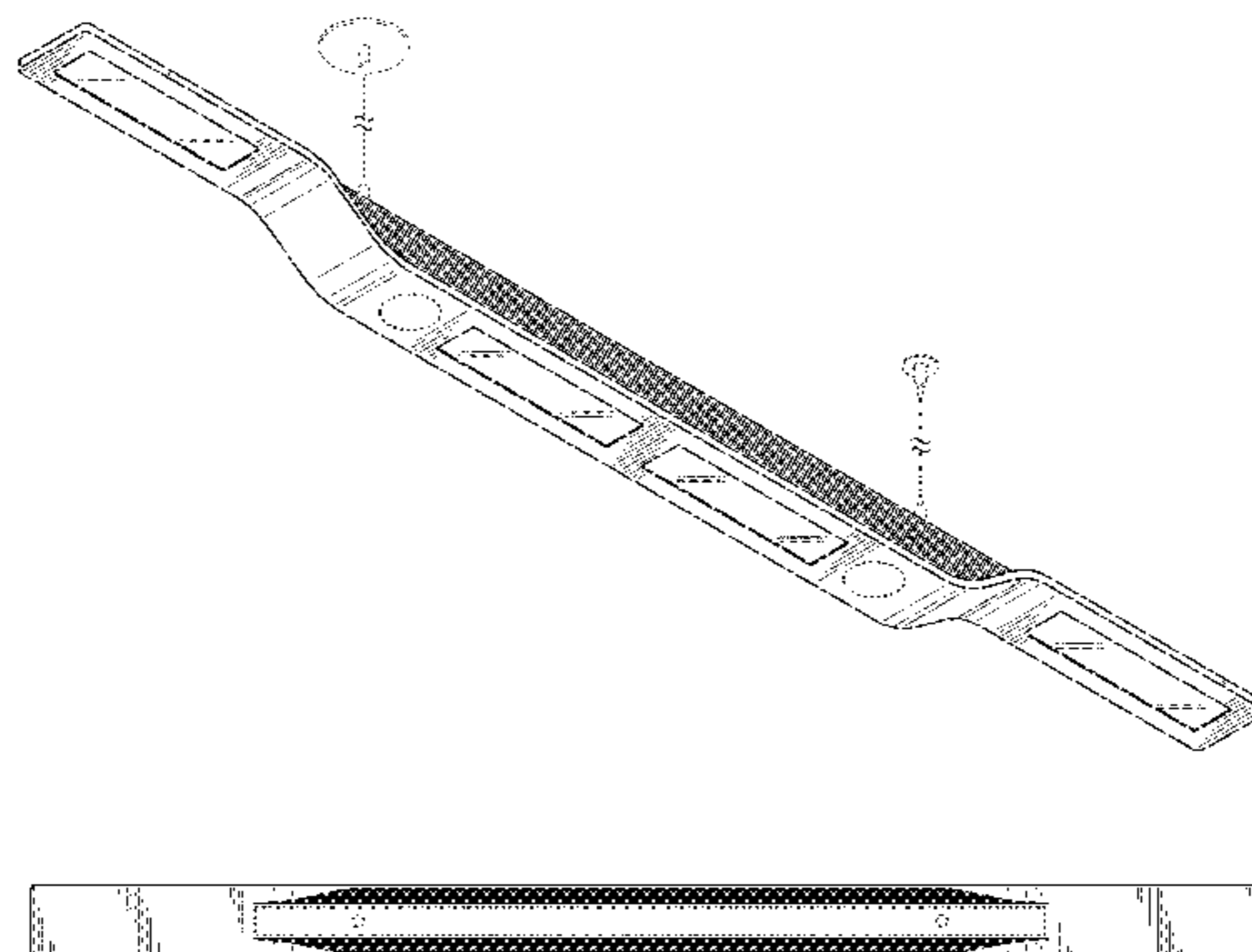
FIG. 11 is a top plan view thereof; and

FIG. 12 is a cross-sectional view thereof taken along section lines 12-12 in FIG. 8.

Certain of the broken lines shown in FIGS. 1-3 and 5-6 represent suspension cables, a ceiling canopy, and cable attachments; the broken line circles shown in FIGS. 1 and 4 represent auxiliary area light sources such as LEDs. The suspension cables, a ceiling canopy, cable attachments and auxiliary area light sources form no part of this embodiment of our claimed design.

Certain of the broken lines shown in FIGS. 7-9 and 11-12 represent suspension cables, a ceiling canopy, and cable attachments; the broken line rectangles shown in FIGS. 7 and 10 represent primary area light sources such as OLEDs; and the broken line circles shown in FIGS. 7 and 10 represent auxiliary area light sources such as LEDs. The suspension cables, a ceiling canopy, cable attachments, primary light sources and auxiliary area light sources form no part of this embodiment of our claimed design.

1 Claim, 4 Drawing Sheets



(56)

References Cited

U.S. PATENT DOCUMENTS

D645,196 S *	9/2011	Hickok	D26/120	D713,589 S	9/2014	Blum et al.	
D655,439 S *	3/2012	Sabernig	D26/83	D724,250 S *	3/2015	Tran	D26/85
D655,441 S *	3/2012	Sabernig	D26/88	D730,560 S *	5/2015	Tran	D26/85
D664,282 S *	7/2012	Santoro	D26/76	D739,591 S *	9/2015	Tran	D26/85
8,430,530 B2 *	4/2013	Aurongzeb	F21V 14/02 362/249.03	D742,575 S *	11/2015	Blum	D26/85
D697,248 S	1/2014	Martin		D745,735 S *	12/2015	Tran	D26/80
D700,989 S *	3/2014	Rampolla	D26/88	2010/0220497 A1	9/2010	Ngai	
D703,864 S	4/2014	Blum et al.		2011/0157893 A1 *	6/2011	Ngai	F21S 2/00 362/249.02
				2015/0060779 A1 *	3/2015	Kawahara	F21S 6/005 257/40

* cited by examiner

