



US00D759875S

(12) **United States Design Patent**
Giopato et al.

(10) **Patent No.:** **US D759,875 S**

(45) **Date of Patent:** **** Jun. 21, 2016**

(54) **LAMP**

(71) Applicant: **GIOPATO & COOMBES S.A.S. DI COOMBES C. & C., Treviso (IT)**

(72) Inventors: **Cristiana Giopato, Treviso (IT); Christopher Coombes, Treviso (IT)**

(73) Assignee: **GIOPATO & COOMBES S.A.S. DI COOMBES C. & C., Treviso (IT)**

(**) Term: **15 Years**

(21) Appl. No.: **29/505,063**

(22) Filed: **May 13, 2015**

(30) **Foreign Application Priority Data**

Apr. 15, 2015 (EM) 002681627

(51) **LOC (10) Cl.** **26-03**

(52) **U.S. Cl.**
USPC **D26/88; D26/90**

(58) **Field of Classification Search**
USPC D26/63, 65, 76, 80-91, 118
CPC F21S 8/06; F21S 8/061; F21S 8/063;
F21S 8/065; F21S 8/068; F21V 3/0418;
F21V 3/0427; F21V 3/0436; F21V 3/0445;
F21V 21/008; F21V 21/104

See application file for complete search history.

(56) **References Cited**

U.S. PATENT DOCUMENTS

D39,286 S * 4/1908 Verbeck D26/84
5,868,490 A * 2/1999 Barthelmess F21S 4/10
362/227
D482,815 S * 11/2003 Rugee D26/84
6,863,423 B2 * 3/2005 Stone F21S 8/04
362/404

D538,460 S * 3/2007 Rugee D26/84
D576,336 S * 9/2008 Bourotte D26/83
D597,243 S * 7/2009 Trumble D26/84
D613,448 S * 4/2010 Lovegrove D26/86
D620,180 S * 7/2010 Sabernig D26/84
D624,230 S * 9/2010 Lovegrove D26/86
D634,877 S * 3/2011 Pedrali D26/84
D709,637 S * 7/2014 Terzani D26/83
D725,306 S * 3/2015 Salvagno D26/84
D727,556 S * 4/2015 Arslan D26/113
D729,430 S * 5/2015 Poulton D26/88
D730,559 S * 5/2015 Castelli D26/80
2003/0043580 A1 * 3/2003 Hsu F21S 4/10
362/249.16

OTHER PUBLICATIONS

“Sphera” suspension luminaires shown on pp. 490-491 of the Artemide Design—2015 catalog. (3 pages, includes catalog cover).
All chandeliers shown on 5 pages from jGoodDesign website. <http://www.jgooddesign.com/menus/recent/index.html> visited Jun. 22, 2009.*

* cited by examiner

Primary Examiner — Clare E Heflin

(74) *Attorney, Agent, or Firm* — Modiano & Associati; Daniel J. O’Byrne

(57) **CLAIM**

The ornamental design for a lamp, as shown.

DESCRIPTION

FIG. 1 is a perspective view of a lamp showing our new design;

FIG. 2 is a front view thereof;

FIG. 3 is a rear view thereof;

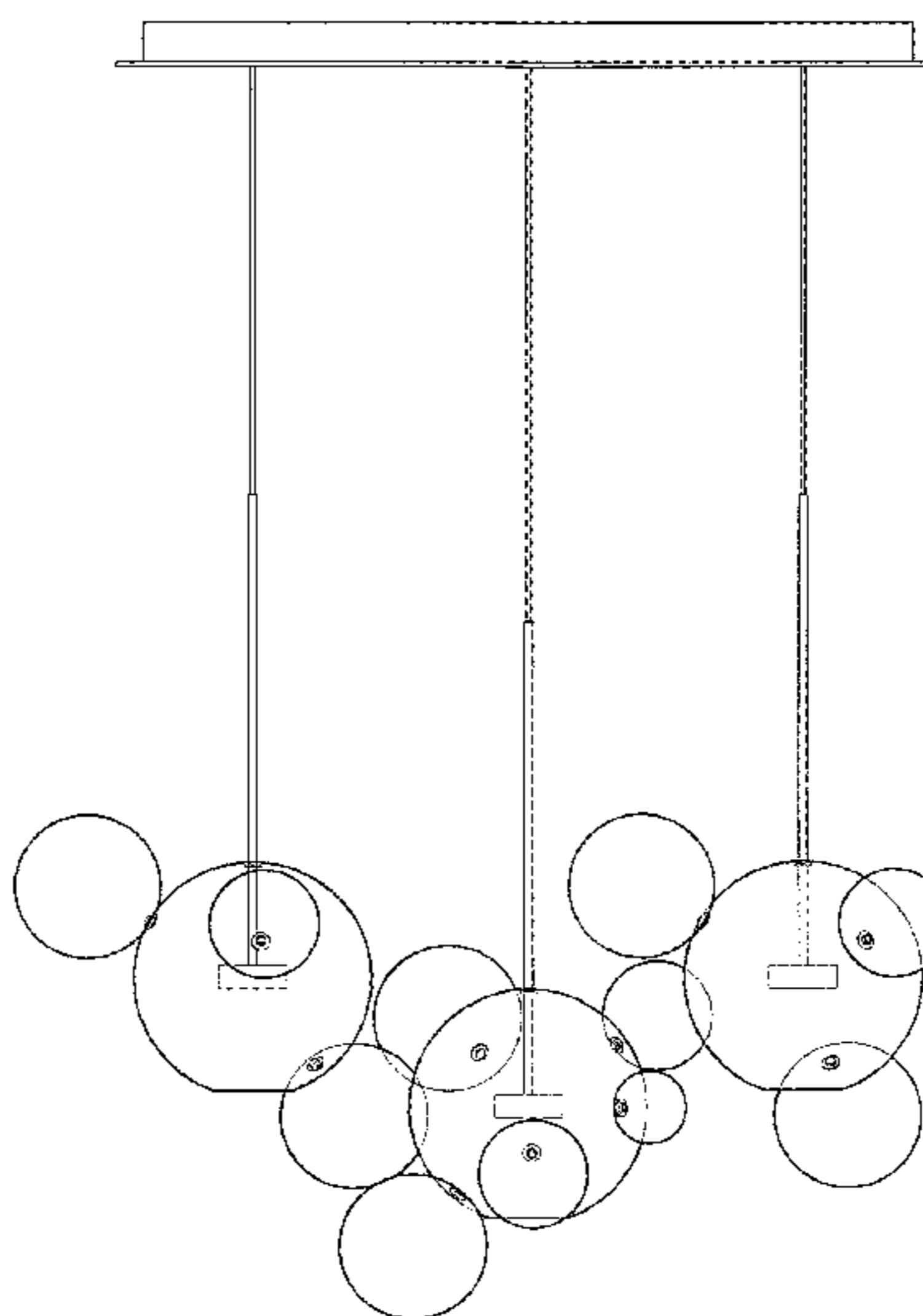
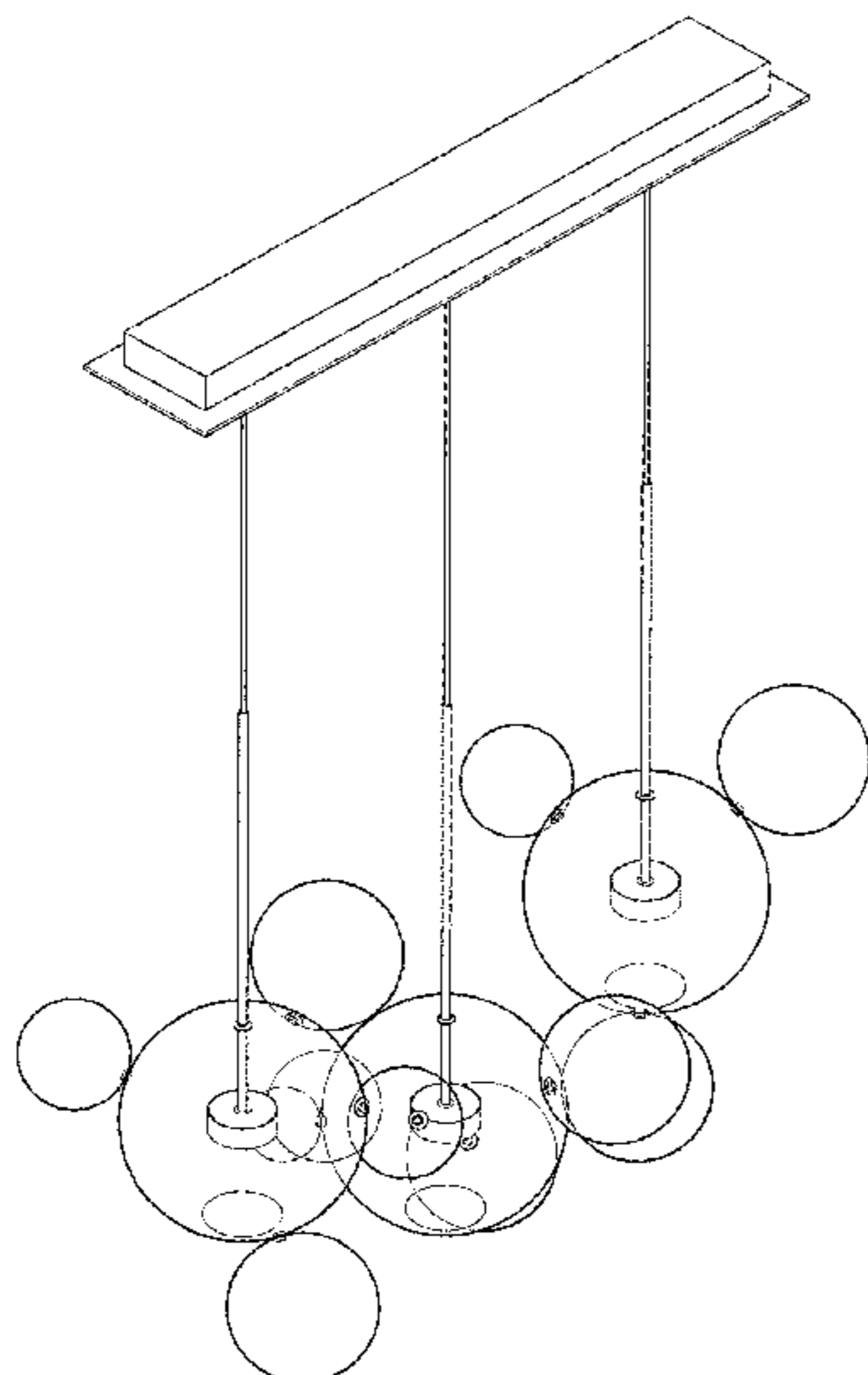
FIG. 4 is a left side view thereof;

FIG. 5 is a right side view thereof;

FIG. 6 is a top view thereof; and,

FIG. 7 is a bottom view thereof.

1 Claim, 5 Drawing Sheets



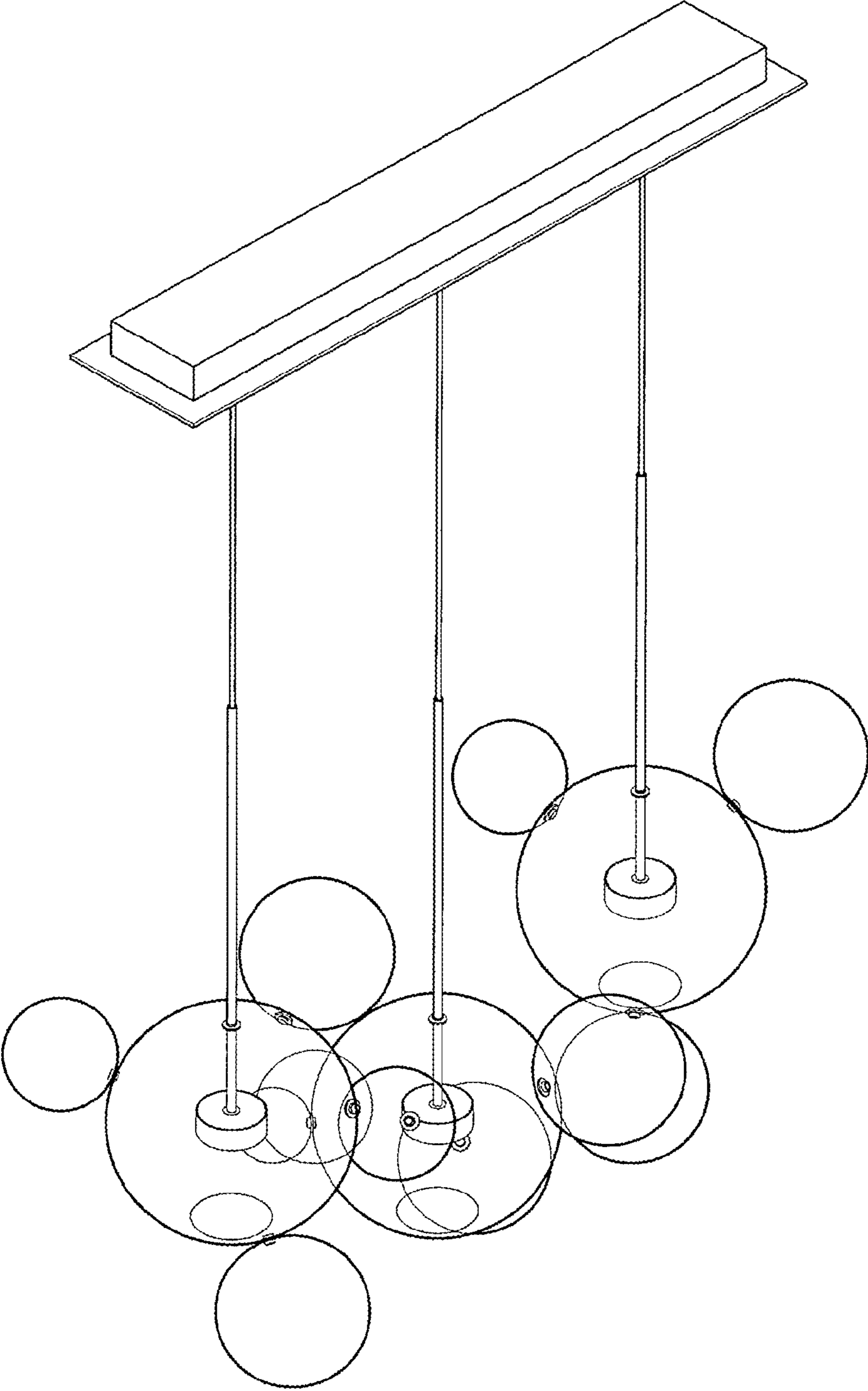


Fig. 1

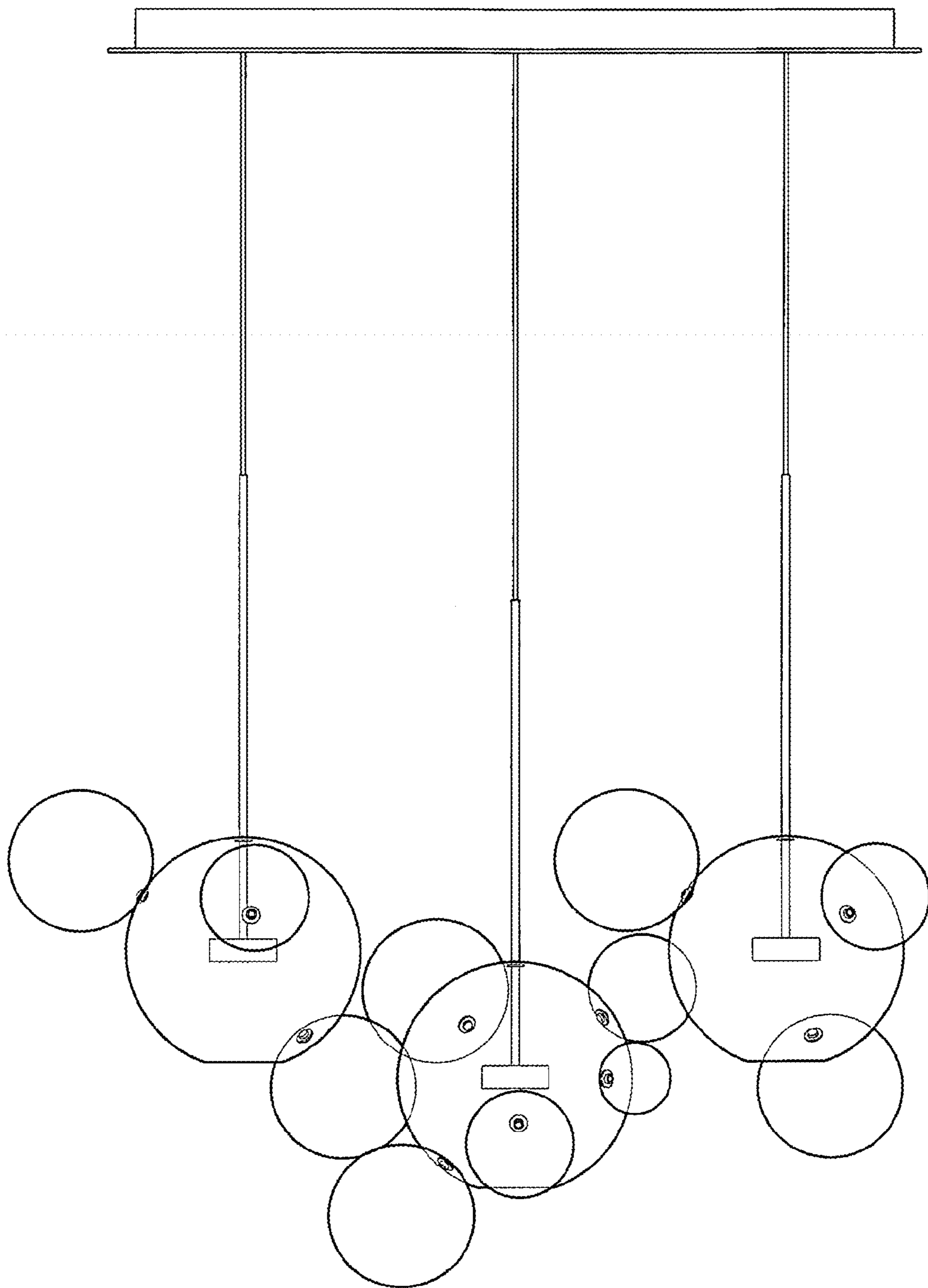


Fig. 2

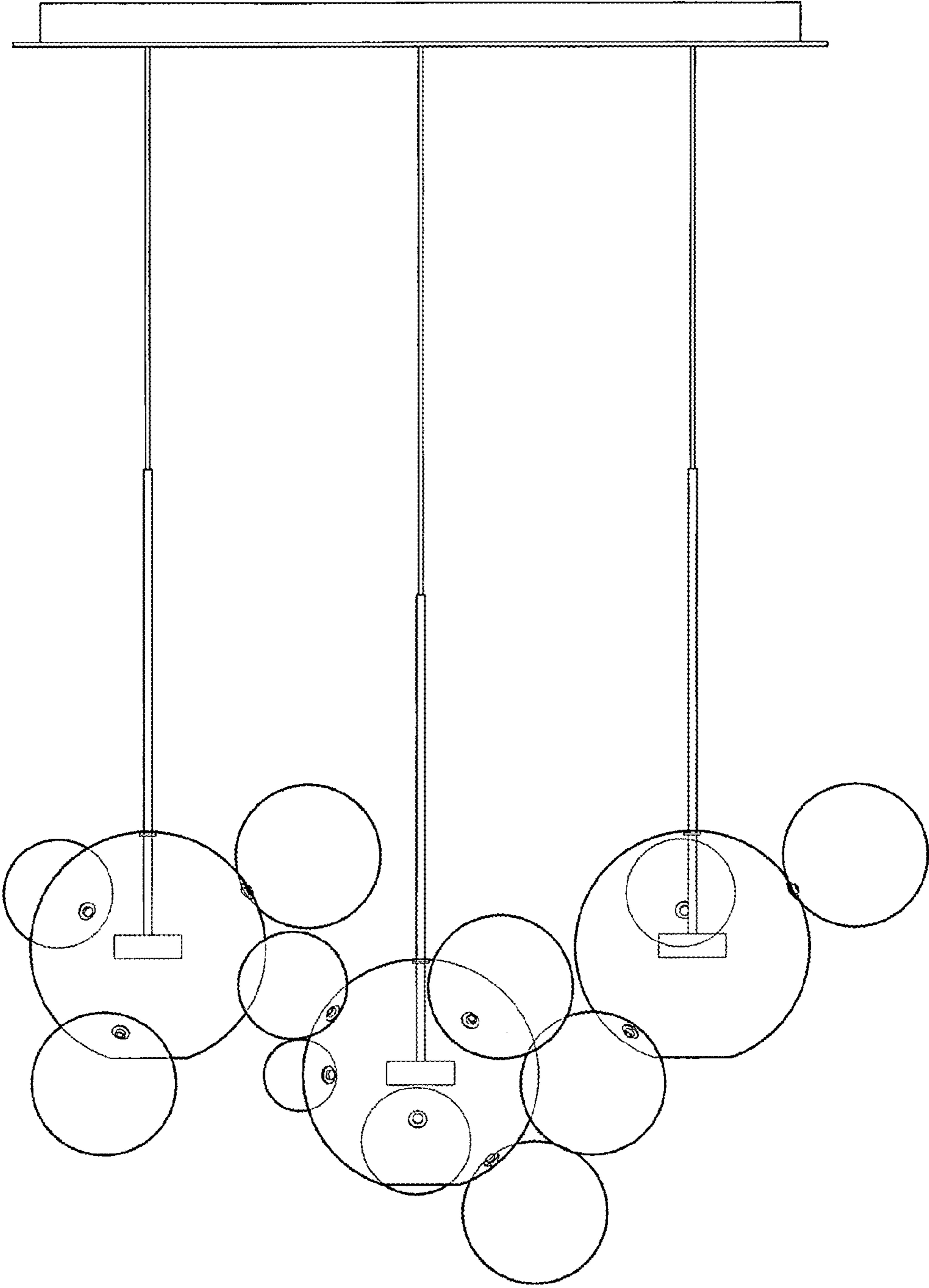


Fig. 3

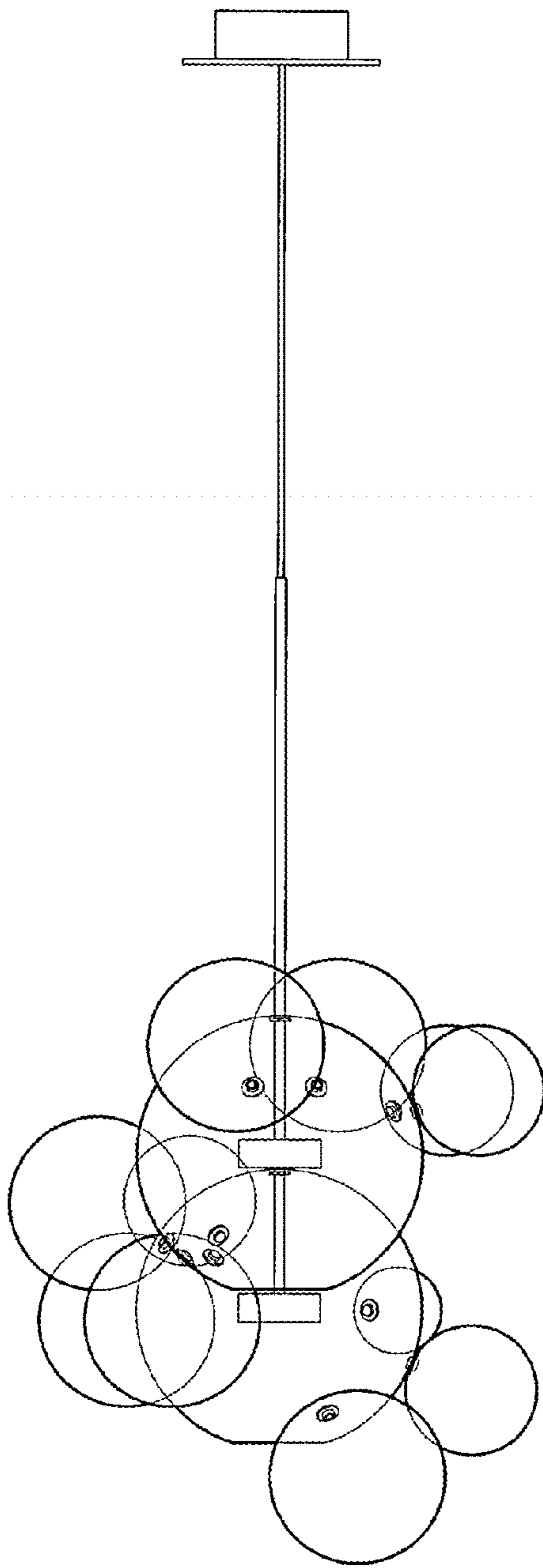


Fig. 4

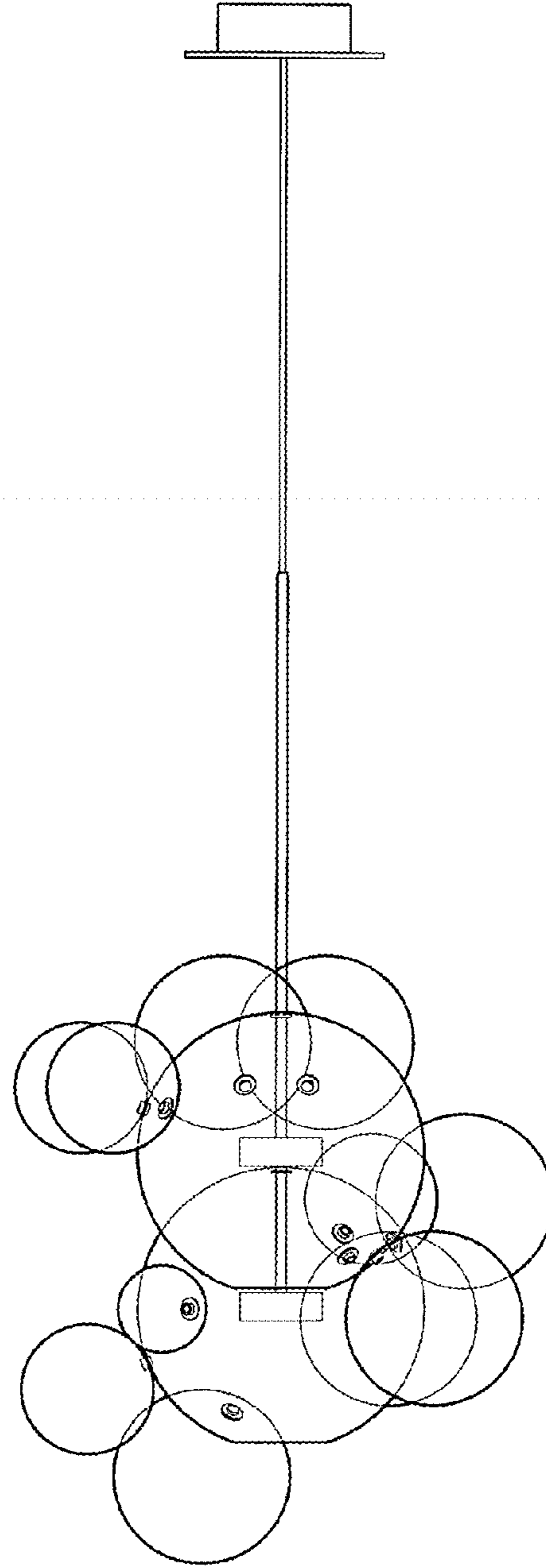


Fig. 5

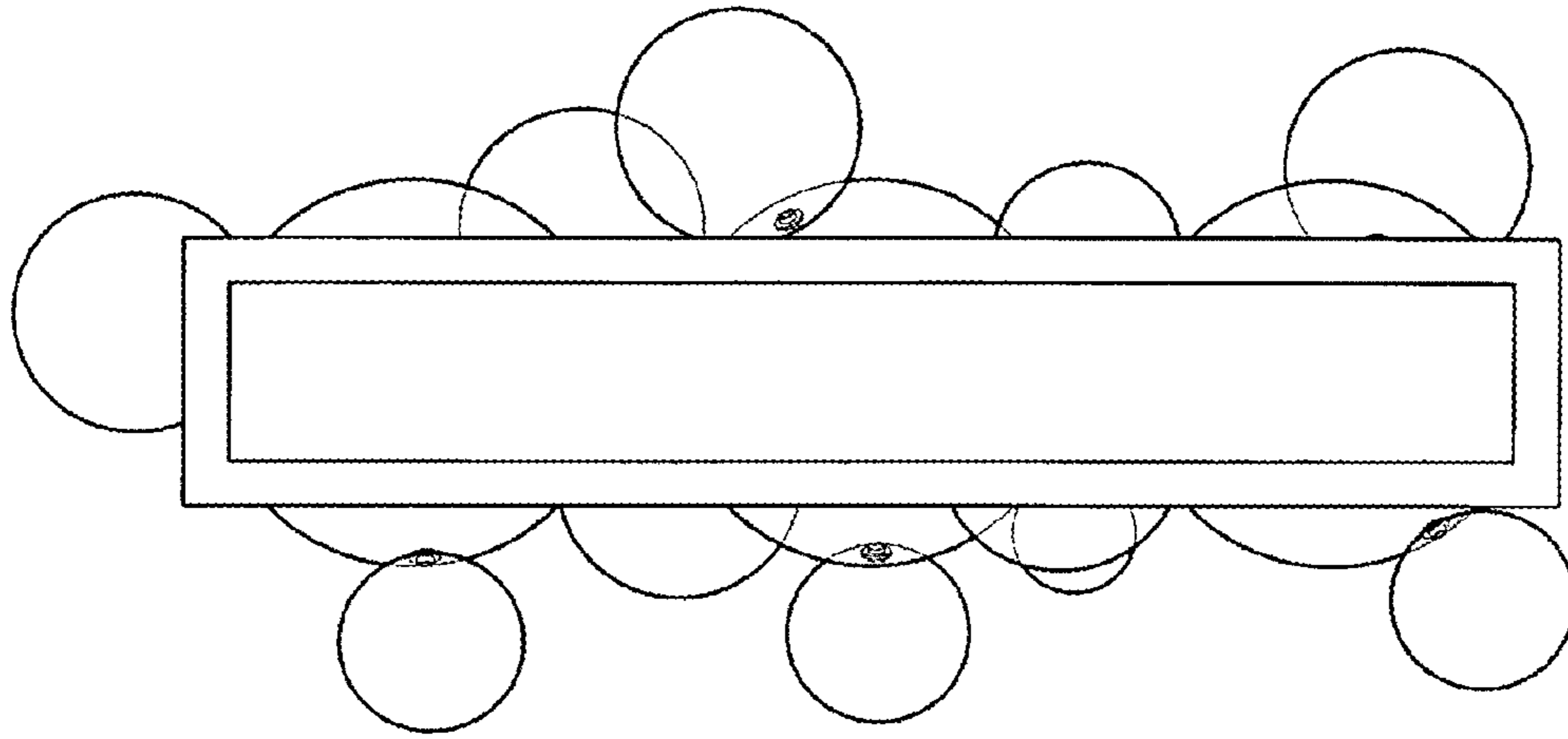


Fig. 6

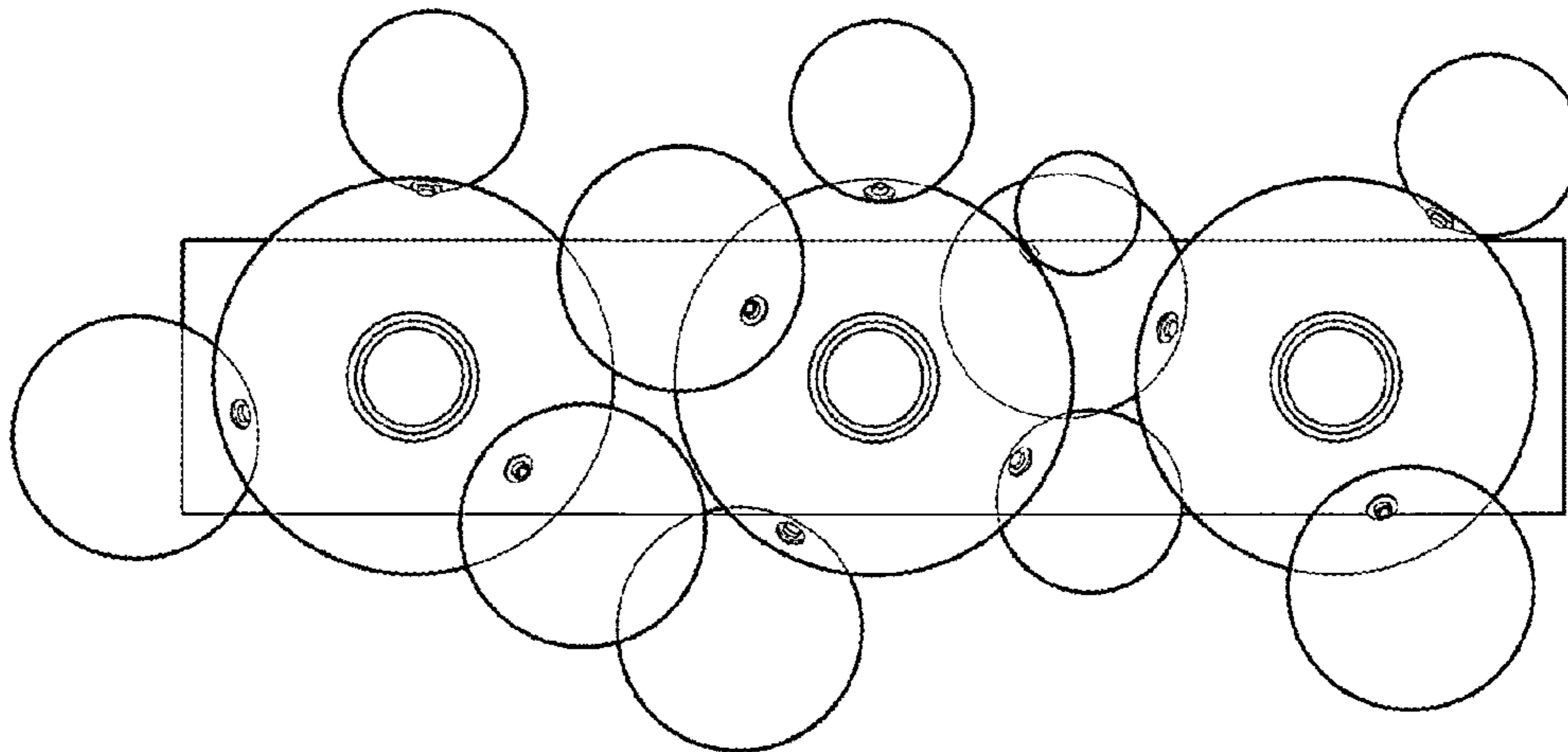


Fig. 7