



US00D759874S

(12) **United States Design Patent**
Boyer et al.

(10) **Patent No.:** **US D759,874 S**
(45) **Date of Patent:** **** Jun. 21, 2016**

(54) **LIGHTING**

(71) Applicant: **LSI Industries, Inc.**, Cincinnati, OH (US)

(72) Inventors: **John D. Boyer**, Lebanon, OH (US); **David Lonneman**, Pleasant Plain, OH (US); **Daniel Hutchens**, Cold Springs, KY (US); **Eric Jon Mooar**, Liberty Township, OH (US); **Travis Montgomery Wright**, Cincinnati, OH (US); **Andrew J. Bankemper**, California, KY (US)

(73) Assignee: **LSI Industries, Inc.**, Cincinnati, OH (US)

(**) Term: **14 Years**

(21) Appl. No.: **29/490,065**

(22) Filed: **May 6, 2014**

(51) **LOC (10) Cl.** **26-03**

(52) **U.S. Cl.**
USPC **D26/76**

(58) **Field of Classification Search**
USPC D26/76, 78, 79, 80, 81, 82, 83, 85, 86, D26/88, 90, 113, 118, 119, 120, 121, 122, D26/138, 139, 140, 141, 142
CPC F21S 2/00; F21S 4/00; F21S 4/003; F21S 4/005; F21S 4/006; F21S 4/007; F21S 4/008; F21S 6/00; F21S 8/00; F21S 8/024; F21S 8/026; F21S 8/031; F21S 8/033; F21S 8/035-8/037; F21S 8/04; F21S 8/043; F21S 8/063

See application file for complete search history.

(56) **References Cited**

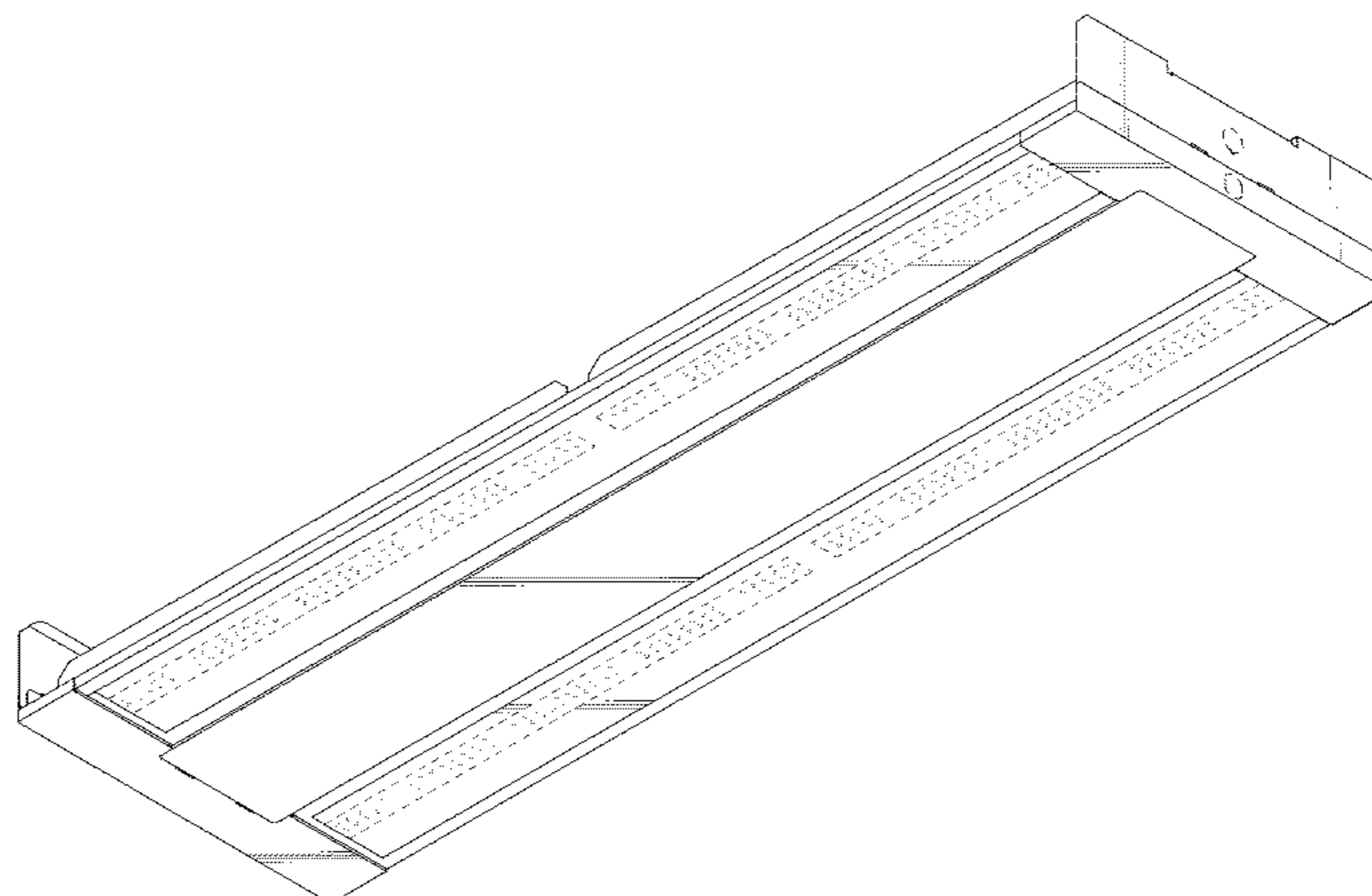
U.S. PATENT DOCUMENTS

D306,773 S * 3/1990 Roulstone D26/78
D580,583 S * 11/2008 Pfund D26/76
D608,930 S * 1/2010 Castelli D26/76
D608,932 S * 1/2010 Castelli D26/76

D608,933 S * 1/2010 Castelli D26/76
D632,418 S * 2/2011 Bisberg D26/76
D644,374 S * 8/2011 Ferrier D26/118
D664,700 S * 7/2012 Ferguson D26/76
D675,365 S * 1/2013 Beghelli D26/78
D703,858 S * 4/2014 Miller D26/76
D723,206 S * 2/2015 Lewis, Jr. D26/72
D744,690 S * 12/2015 Boyer D26/76
2013/0286637 A1 * 10/2013 Lay F21K 9/17
362/147
2015/0092410 A1 * 4/2015 Boyer F21K 9/30
362/235

OTHER PUBLICATIONS

Turret Type, F23, LSI Industries, Inc. (2014).
High Performance Industrial, HPI, LSI Industries, Inc. (2014).
Liniarc Horizon, HRZ, LSI Industries, Inc. (2014).
Linear Fluorescent High Bay, IL, LSI Industries, Inc. (2012).
Narrow Aisle High Bay, IMXNB/IMXNBW, LSI Industries, Inc. (2014).
IMX Installation Instructions, (Use for Chain, Gripple, Aircraft Cable and HUB and Monopoint-J-Box Assemblies), LSI Industries, Inc., p. 1 of 1, P#307736.
Liniarc Partial PERF Housing, LAP, LSI Industries, Inc. (2014).
Liniarc Full PERF Housing, LFP, LSI Industries, Inc. (2014).
Linear 6X6, 99, LSI Industries, Inc. (2014).
Linear for Retail, LFR, LSI Industries, Inc.
Liniarc, Linear Fluorescent Series, LSI Industries, Inc., 4 pages (2012).
Liniarc, Linear Fluorescent Series, LSI Industries, Inc., 8 pages (2012).
Liniarc Baffle Housing, LBL, LSI Industries, Inc. (2014).
Liniarc Small (T5), PERF Housing, LSP, LSI Industries, Inc. (2014).
Liniarc Wall, Solid, PERF, and Baffle Housings LWS/LWP/LWB, LSI Industries, Inc. (2014).
Mini-Max Louvered Fluorescent Accent High / Low Bay, MMX, LSI Industries, Inc. (2014).
Linear Fluorescent High Bay, PMX, LSI Industries, Inc. (2014).
Retailmax—Packed with Performance, LSI Industries, Inc. (2014).
Retailmax Louvered Fluorescent High/Low Bay, RX/RXL, LSI Industries, Inc. (2014).
Low Profile Commercial w/ Uplight Option, WM, LSI Industries, Inc. (2014).
Louvered Profile Commercial w/ Uplight Option, WML, LSI Industries, Inc. (2014).
HPI Installation and Assembly Instructions (Use for Chain, Gripple, Aircraft Cable and Pendant Assemblies), LSI Industries, Inc., p. 1 of 1, P#312070A (Apr. 2006).



IL Installation and Assembly Instructions, LSI Industries, Inc., p. 1 of 1, P#326407A (Apr. 2007).

* cited by examiner

Primary Examiner — George D Kirschbaum

Assistant Examiner — Natasha Vujcic

(74) *Attorney, Agent, or Firm* — McDermott Will & Emery LLP

(57) **CLAIM**

The ornamental design for lighting, as shown and described.

DESCRIPTION

FIG. 1 is a bottom-side perspective view of a first embodiment of the design of the present disclosure;
FIG. 2 is a top-side perspective view of the design of FIG. 1;
FIG. 3 is a bottom view of the design of FIG. 1;
FIG. 4 is a top view of the design of FIG. 1;
FIG. 5 is a left-side view of the design of FIG. 1, the right-side view being the same;
FIG. 6 is a front-side view of the design of FIG. 1, the rear view being the same;
FIG. 7 is a bottom-side perspective view of a second embodiment of the design of the present disclosure;
FIG. 8 is a top-side perspective view of the design of FIG. 7;
FIG. 9 is a bottom view of the design of FIG. 7;
FIG. 10 is a top view of the design of FIG. 7;

FIG. 11 is a left-side view of the design of FIG. 7, the right-side view being the same;
FIG. 12 is a front-side view of the design of FIG. 7, the rear view being the same;
FIG. 13 is a bottom-side perspective view of a third embodiment of the design of the present disclosure;
FIG. 14 is a top-side perspective view of the design of FIG. 13;
FIG. 15 is a bottom view of the design of FIG. 13;
FIG. 16 is a top view of the design of FIG. 13;
FIG. 17 is a left-side view of the design of FIG. 13, the right-side view being the same;
FIG. 18 is a front-side view of the design of FIG. 13, the rear view being the same;
FIG. 19 is a bottom-side perspective view of a fourth embodiment of the design of the present disclosure;
FIG. 20 is a top-side perspective view of the design of FIG. 19;
FIG. 21 is a bottom view of the design of FIG. 19;
FIG. 22 is a top view of the design of FIG. 19;
FIG. 23 is a left-side view of the design of FIG. 19, the right-side view being the same; and,
FIG. 24 is a front-side view of the design of FIG. 19, the rear view being the same.
The broken lines in the drawings illustrate portions of lighting which forms no part of the claimed design.

1 Claim, 20 Drawing Sheets

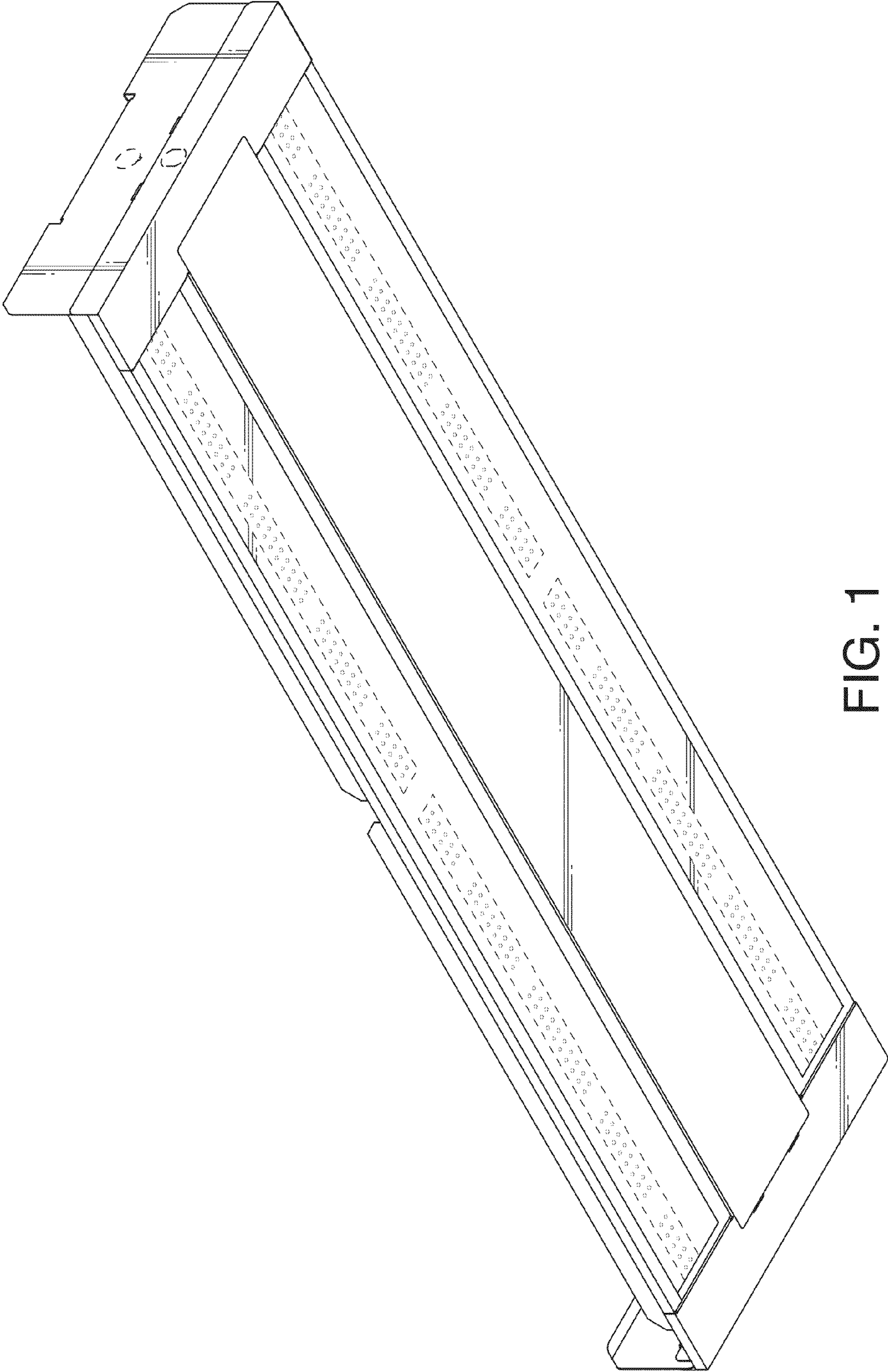


FIG. 1

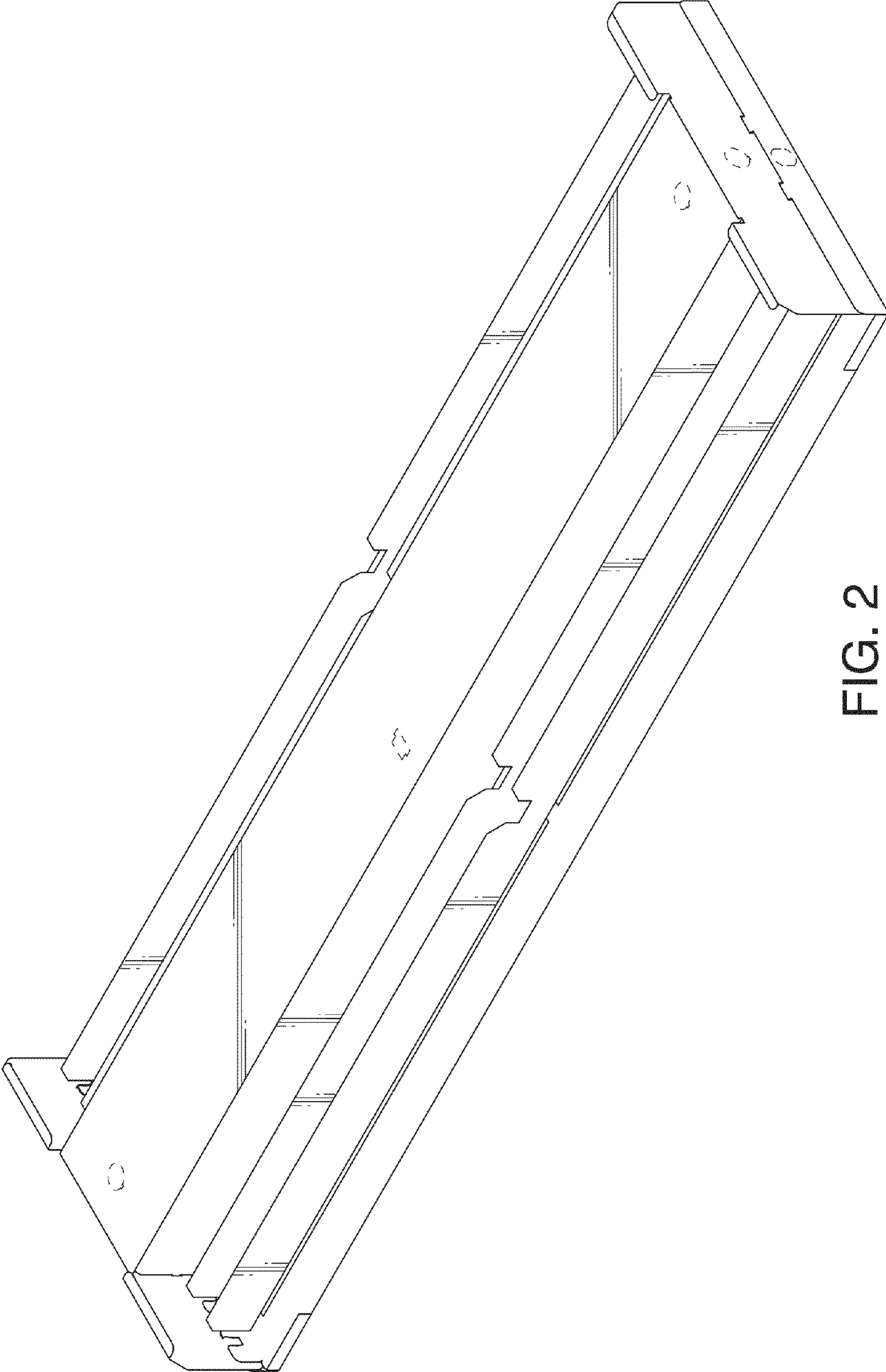


FIG. 2

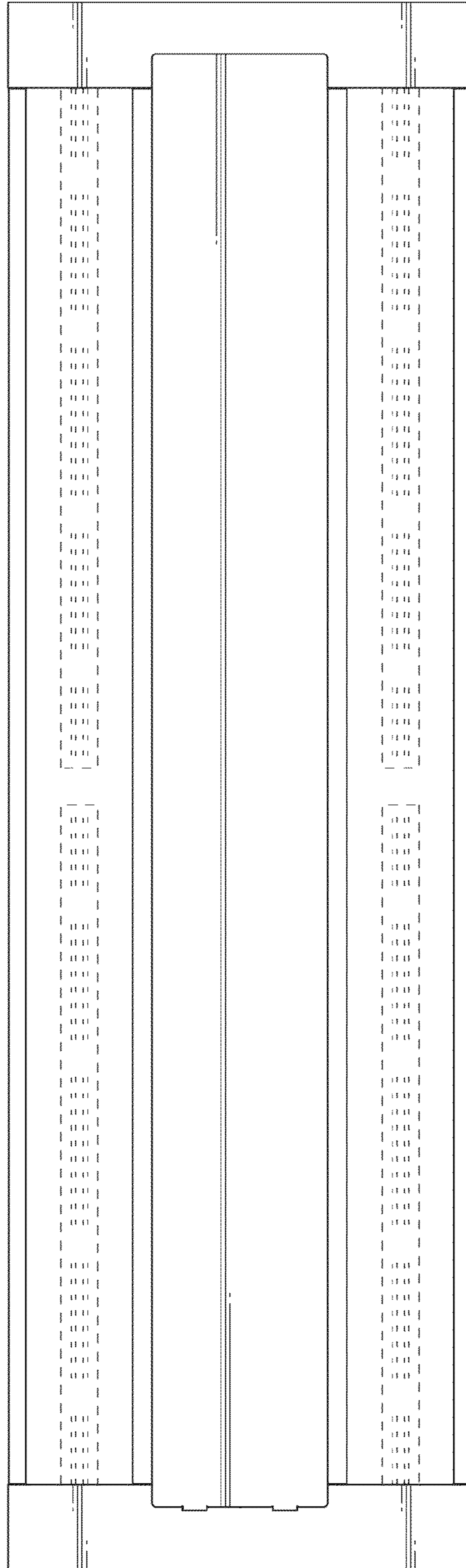


FIG. 3

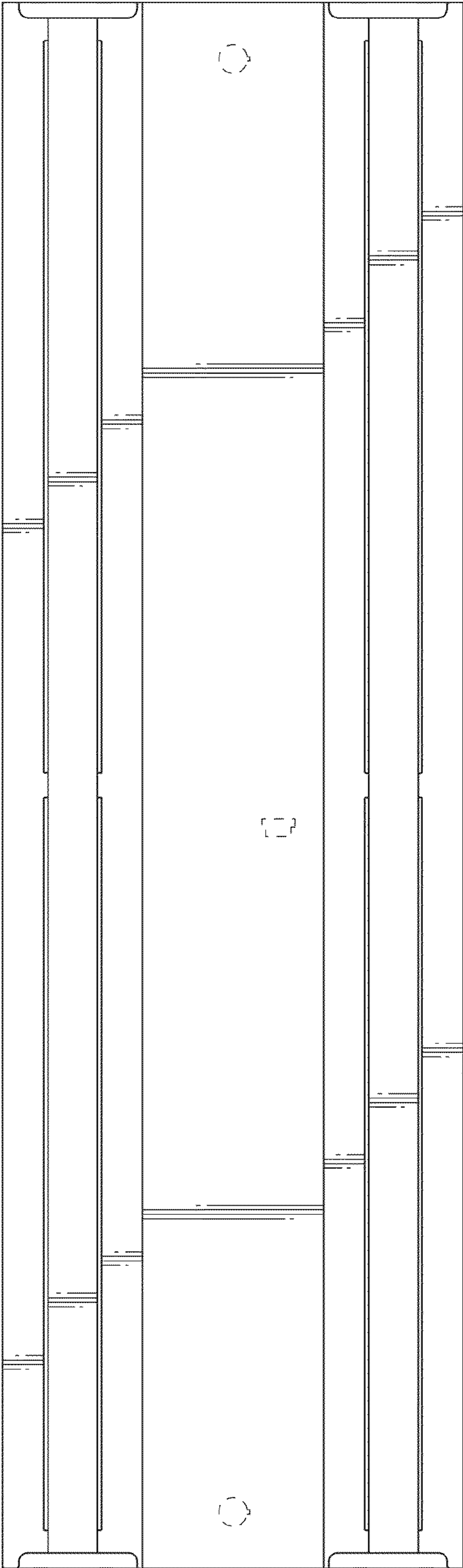


FIG. 4

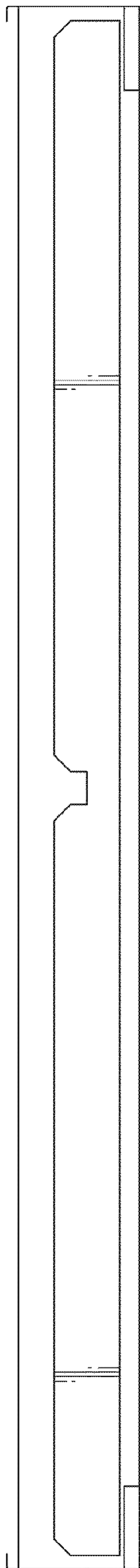


FIG. 5

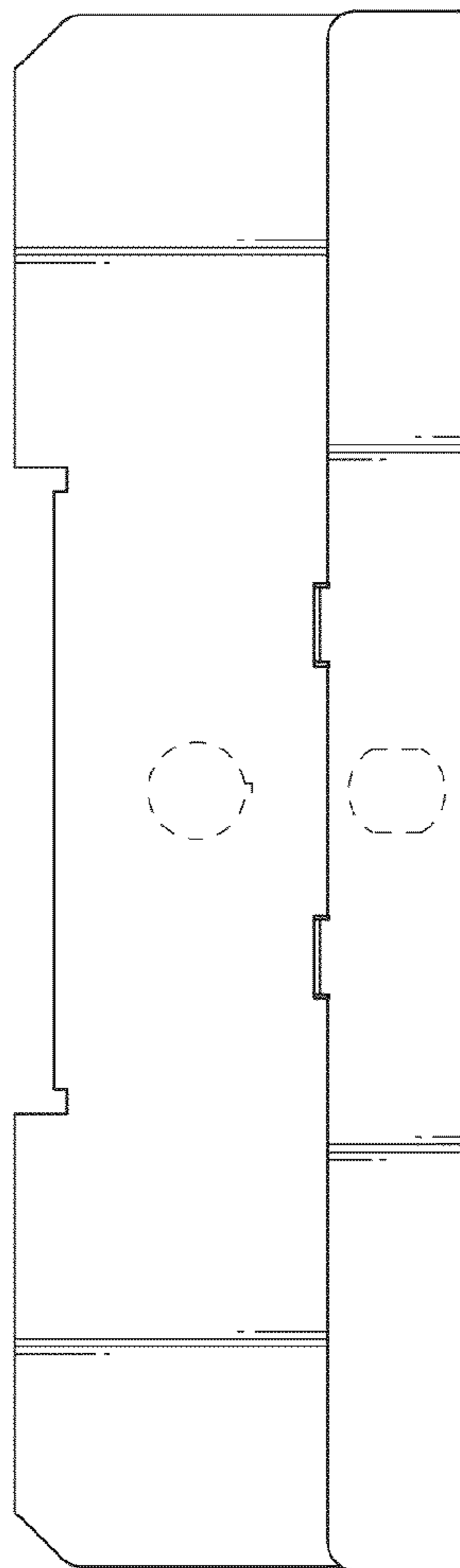


FIG. 6

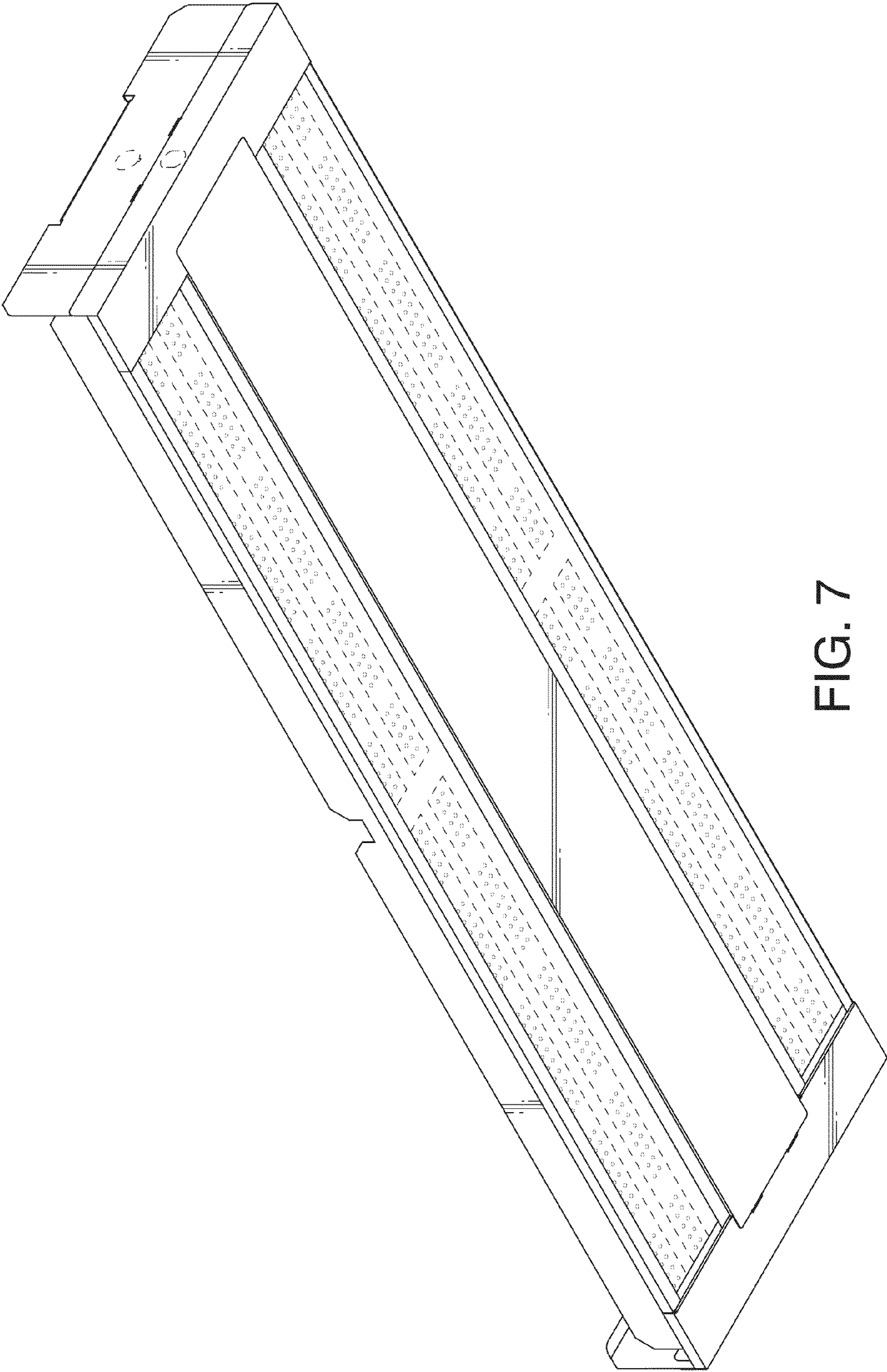


FIG. 7

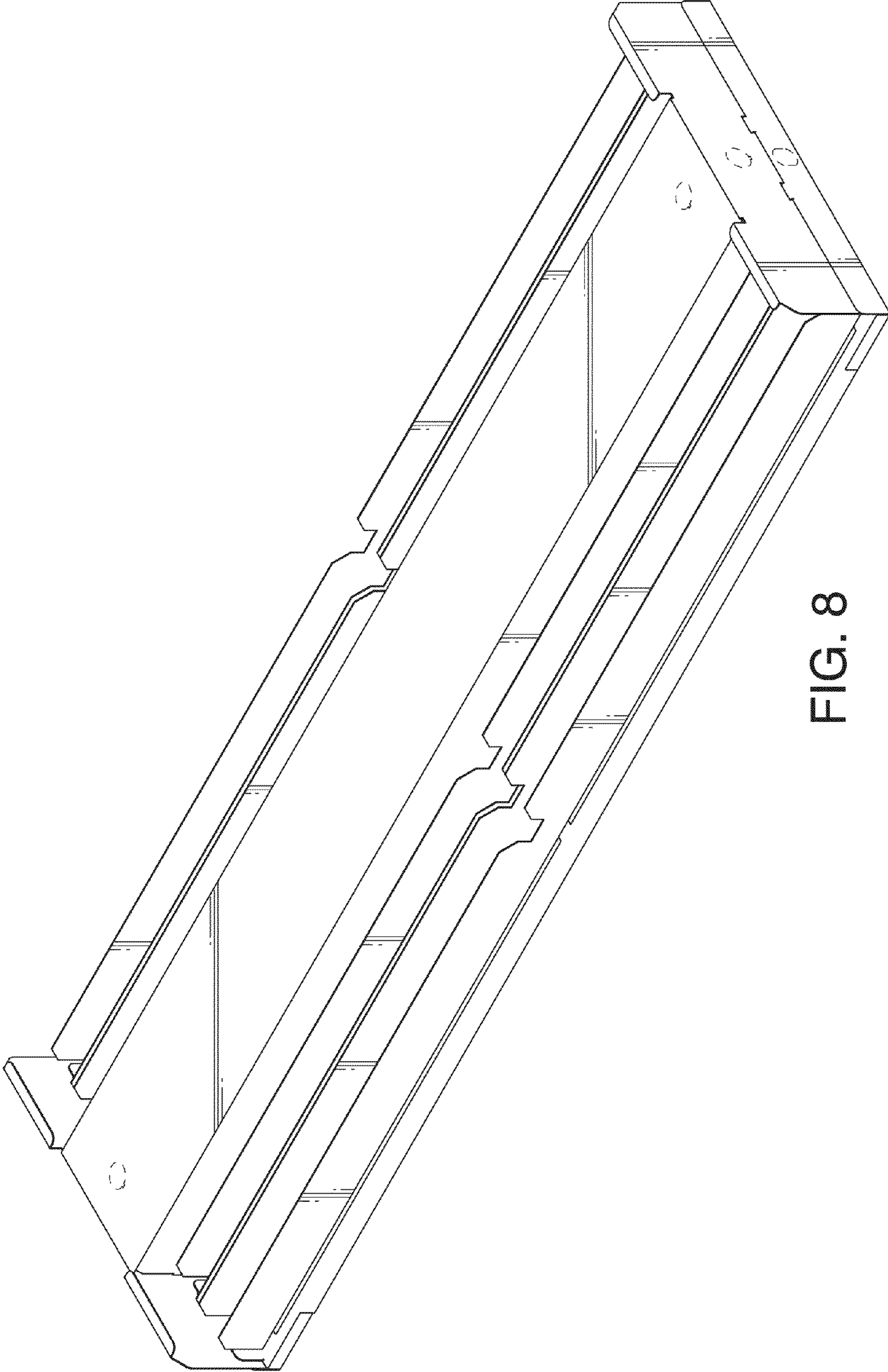


FIG. 8

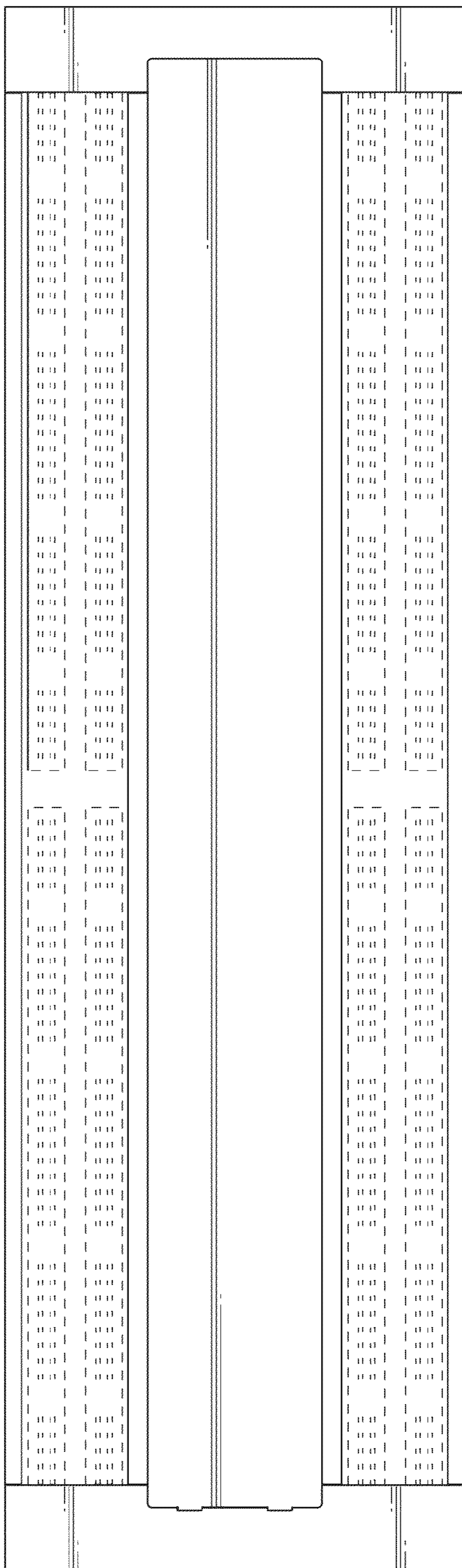


FIG. 9

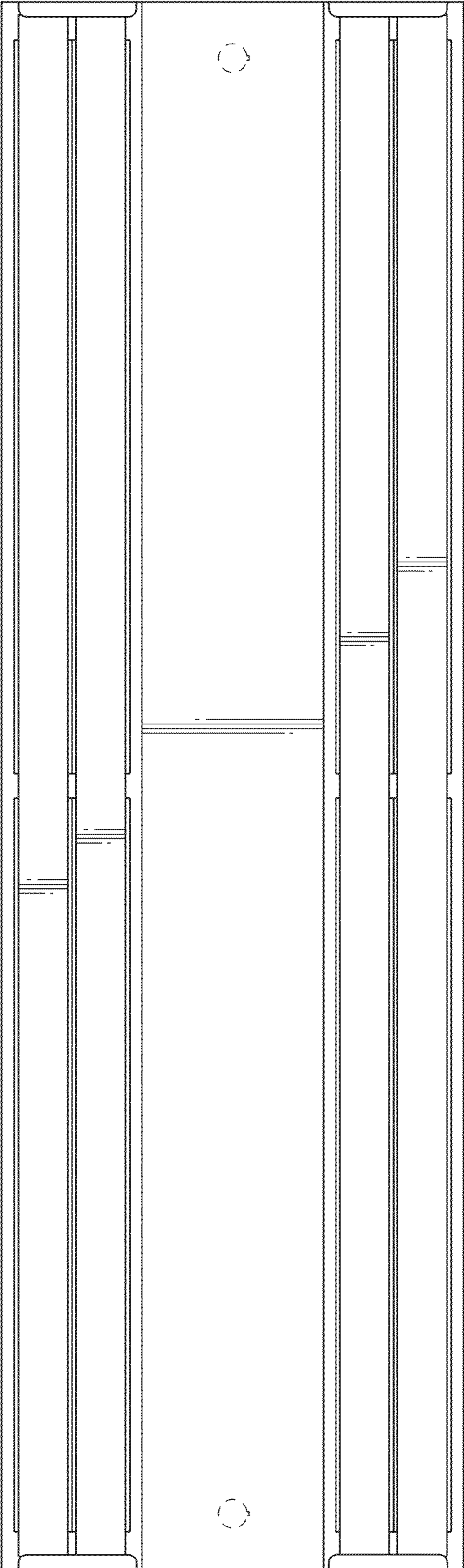


FIG. 10

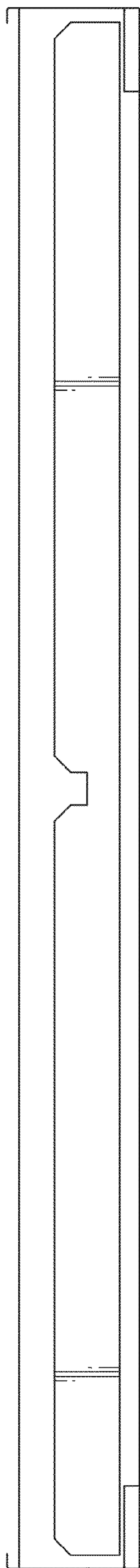


FIG. 11

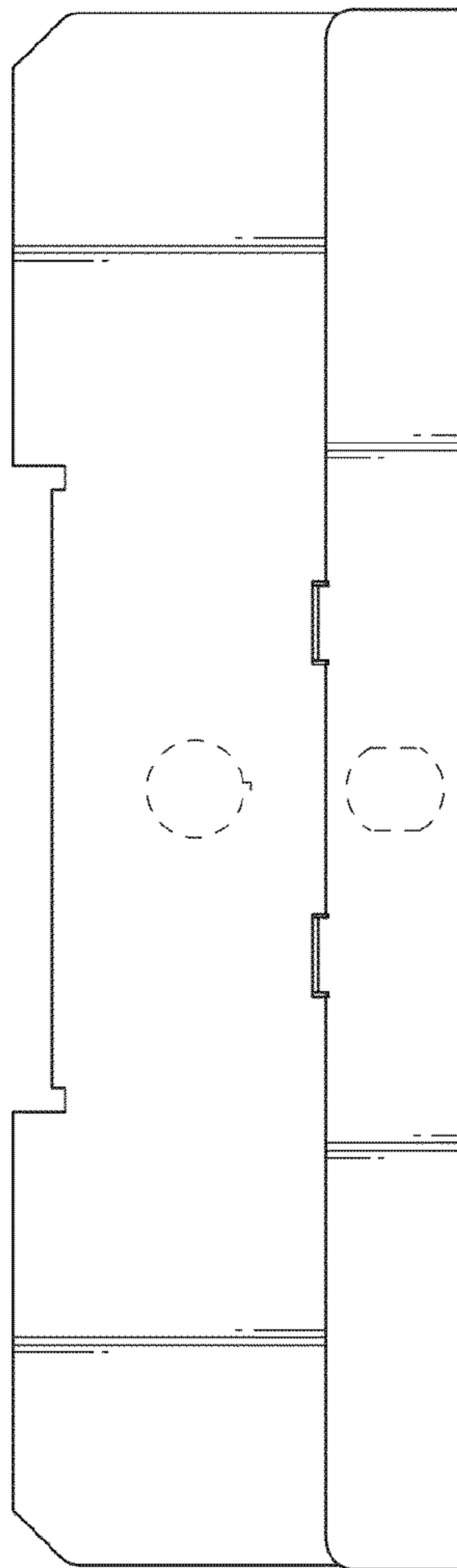


FIG. 12

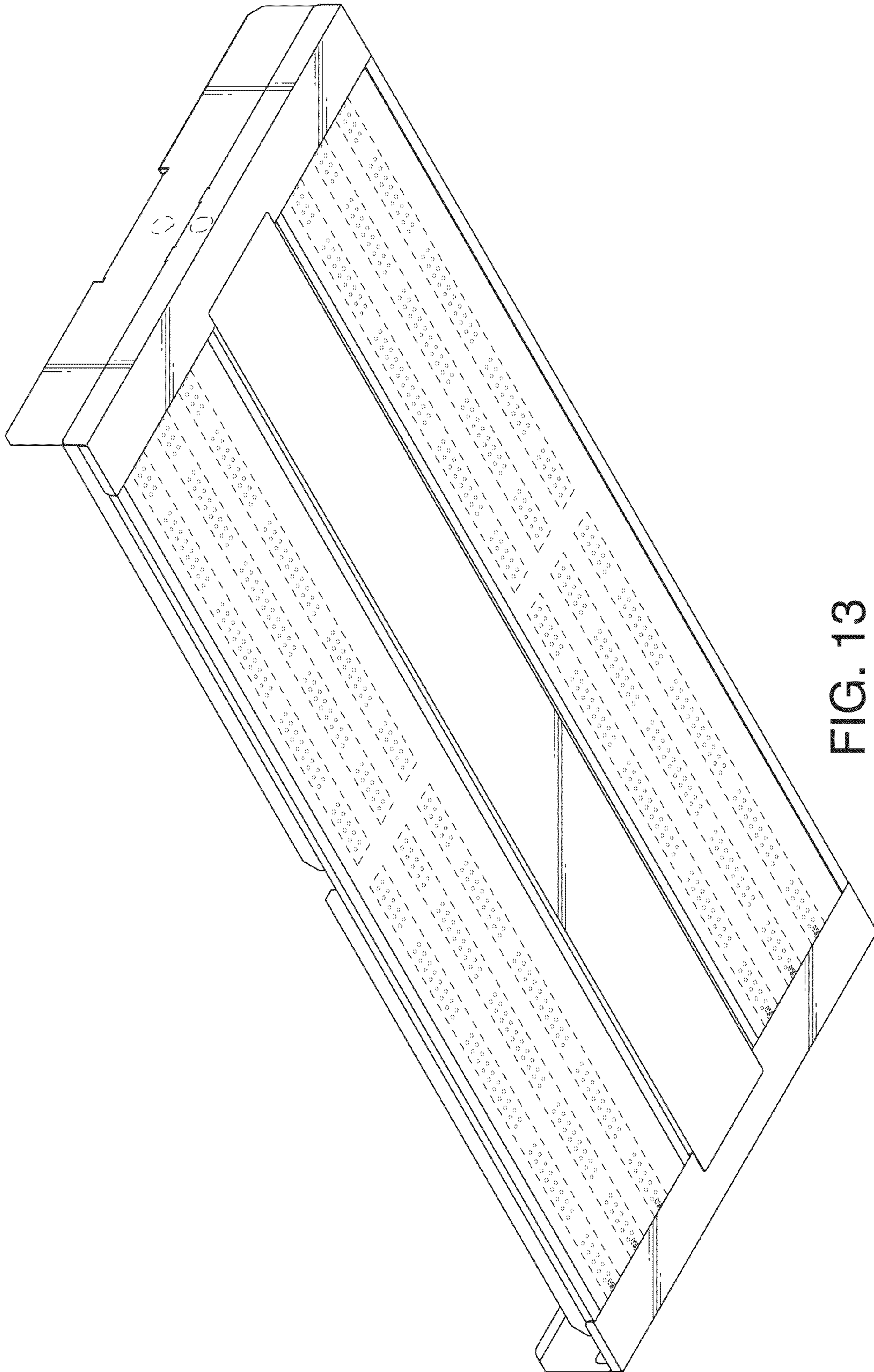


FIG. 13

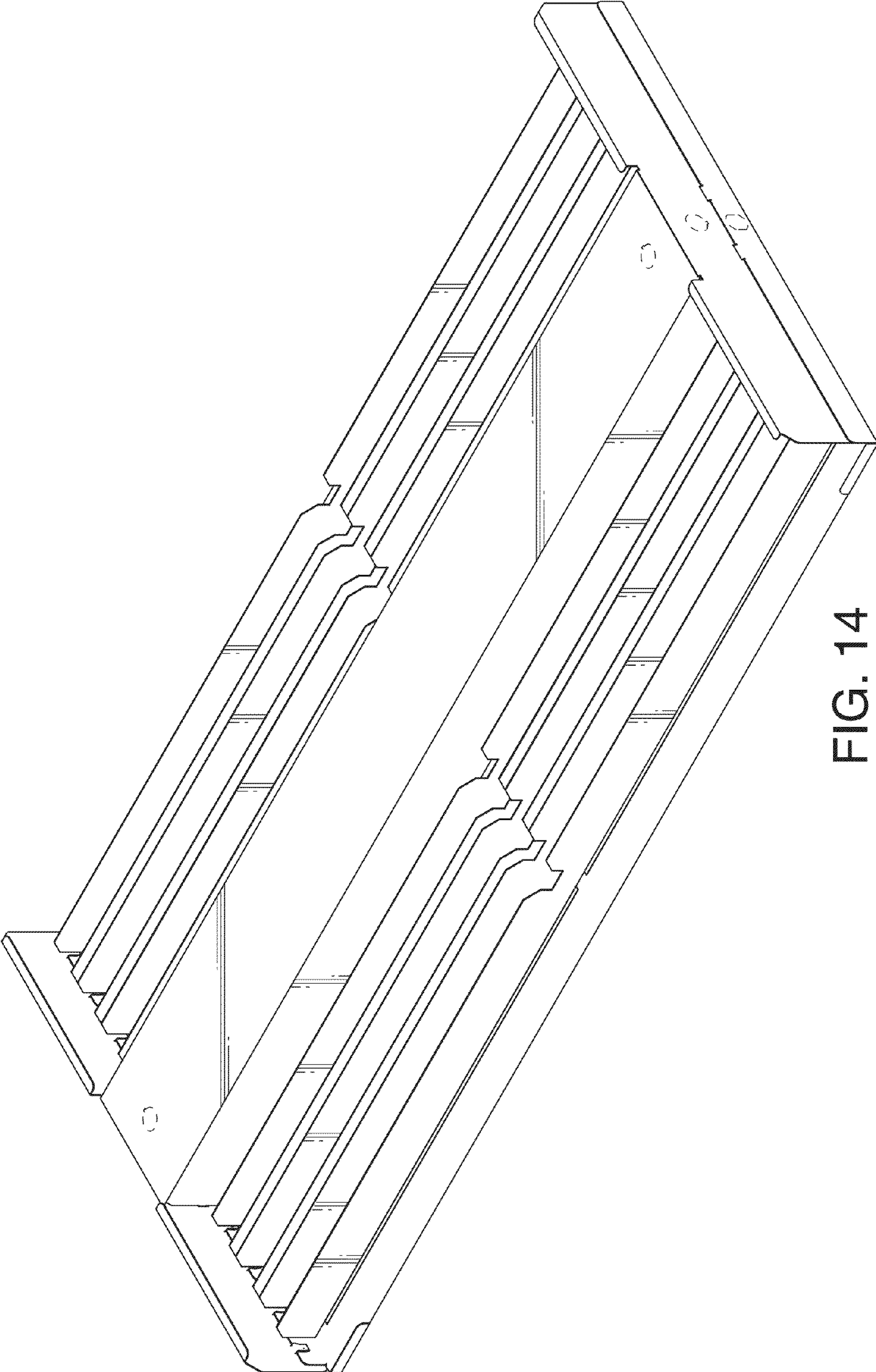


FIG. 14

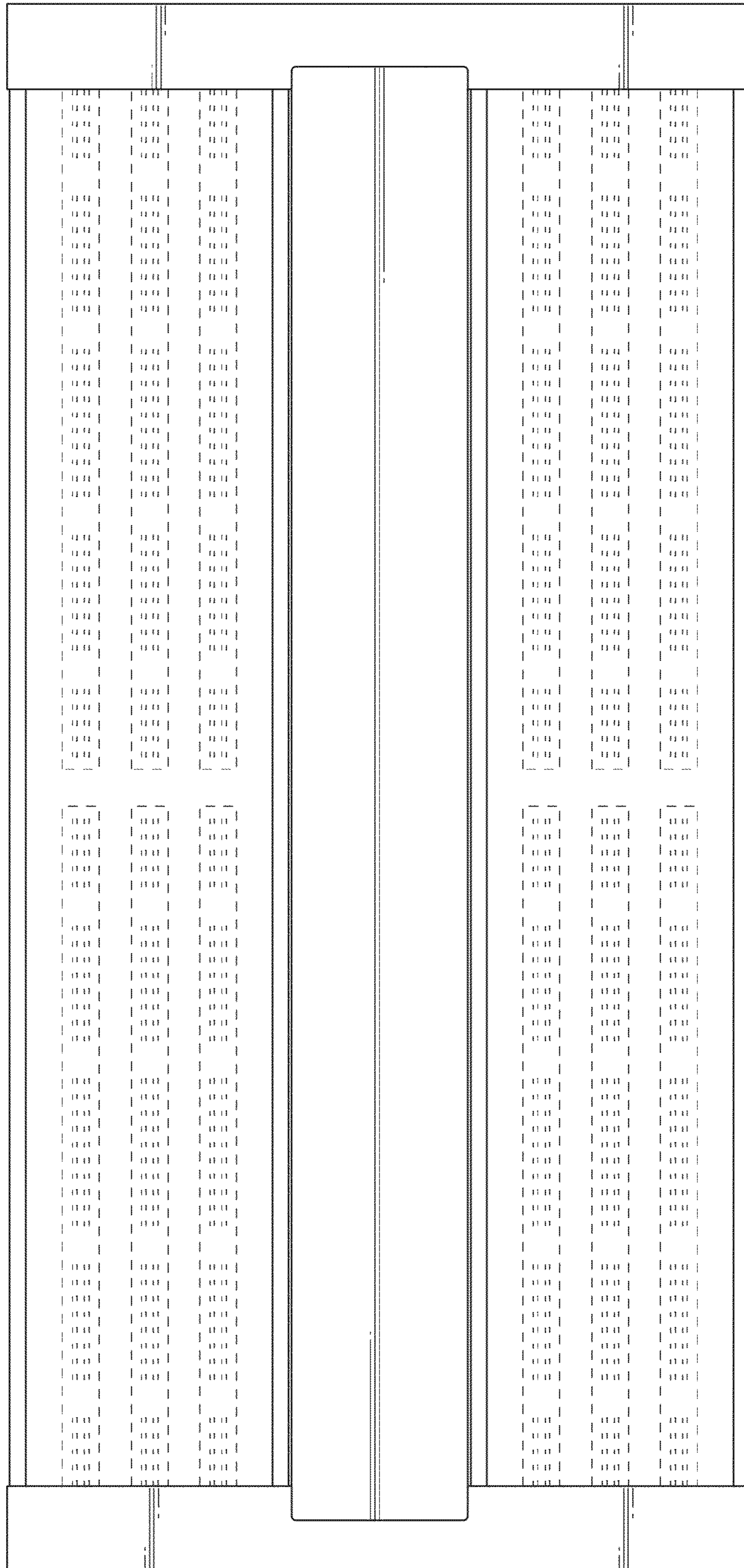


FIG. 15

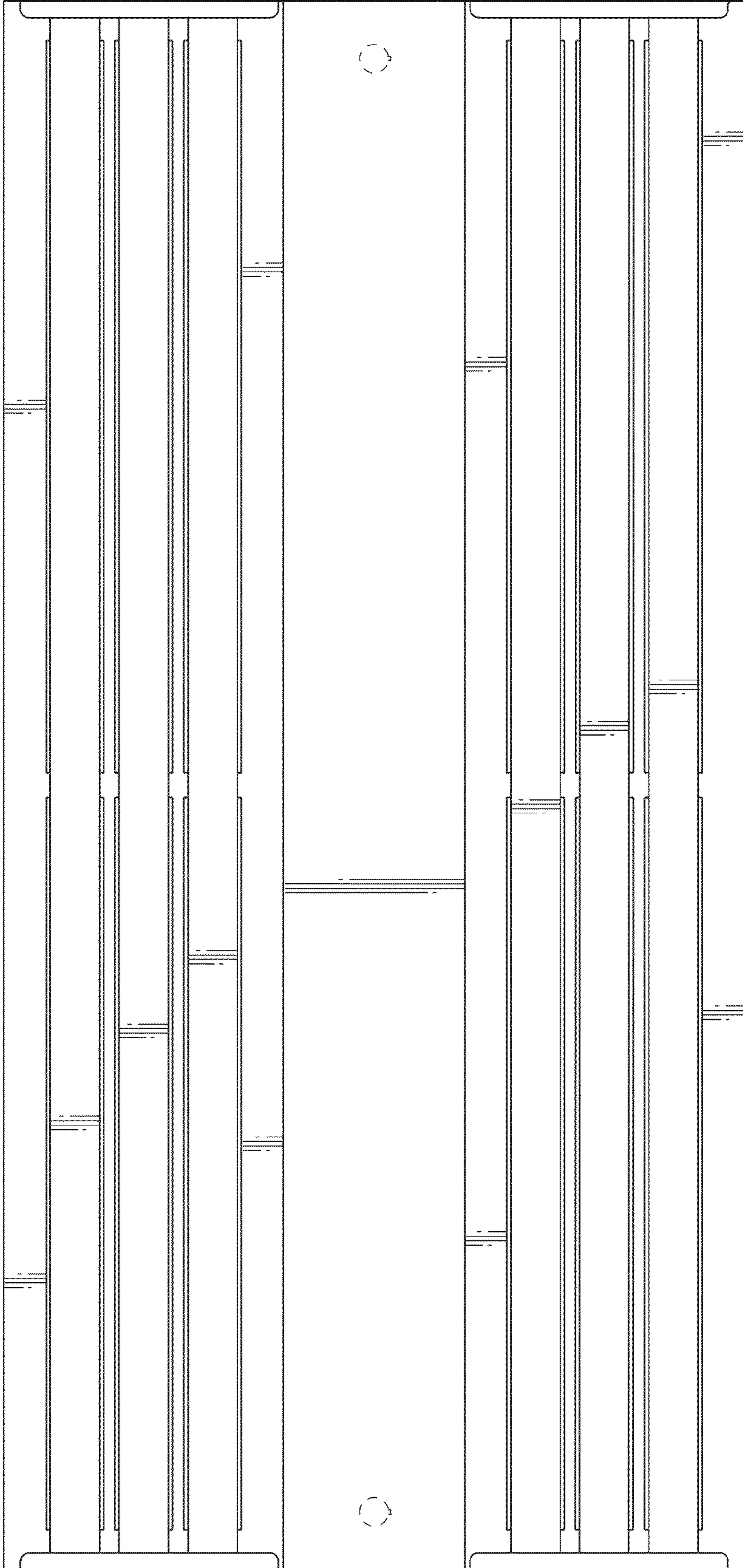


FIG. 16

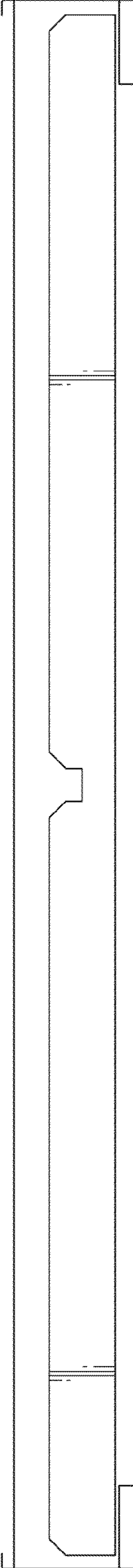


FIG. 17

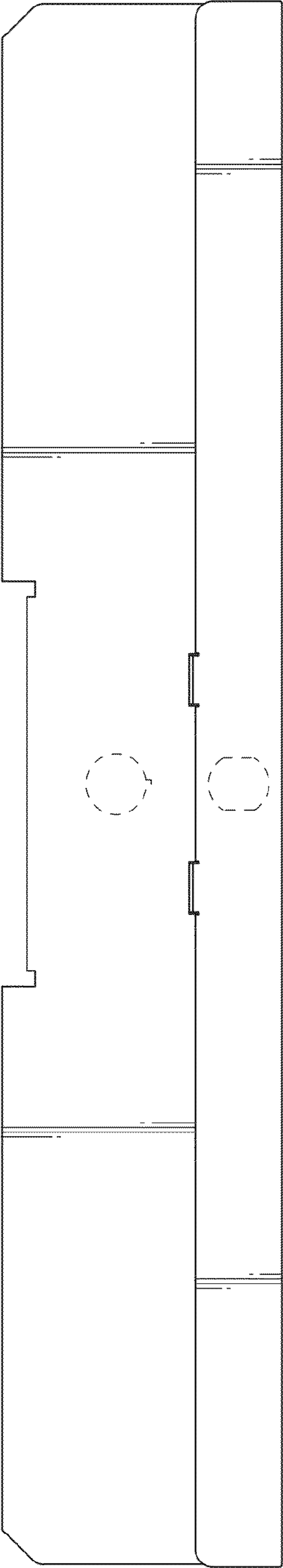


FIG. 18

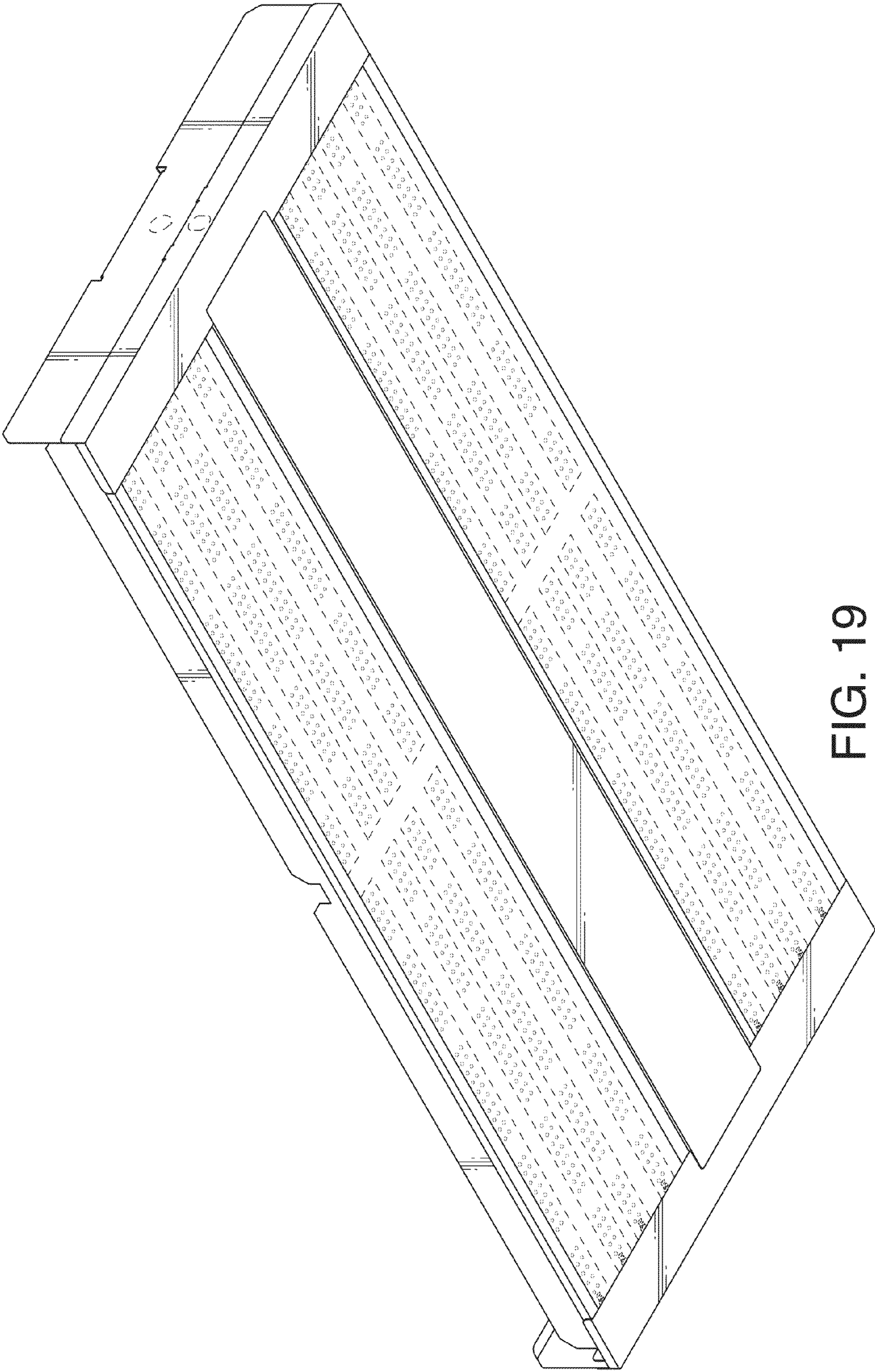


FIG. 19

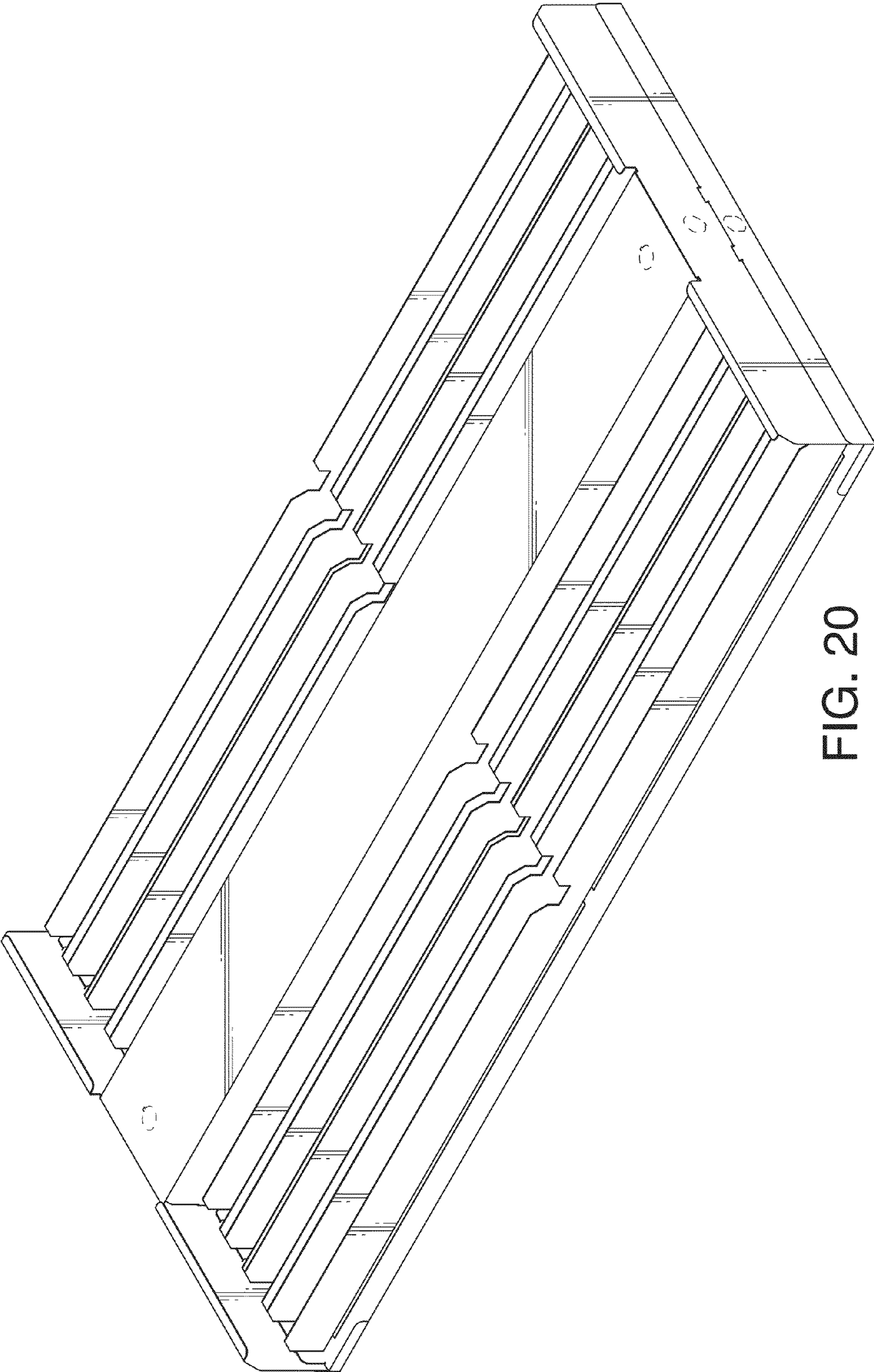


FIG. 20

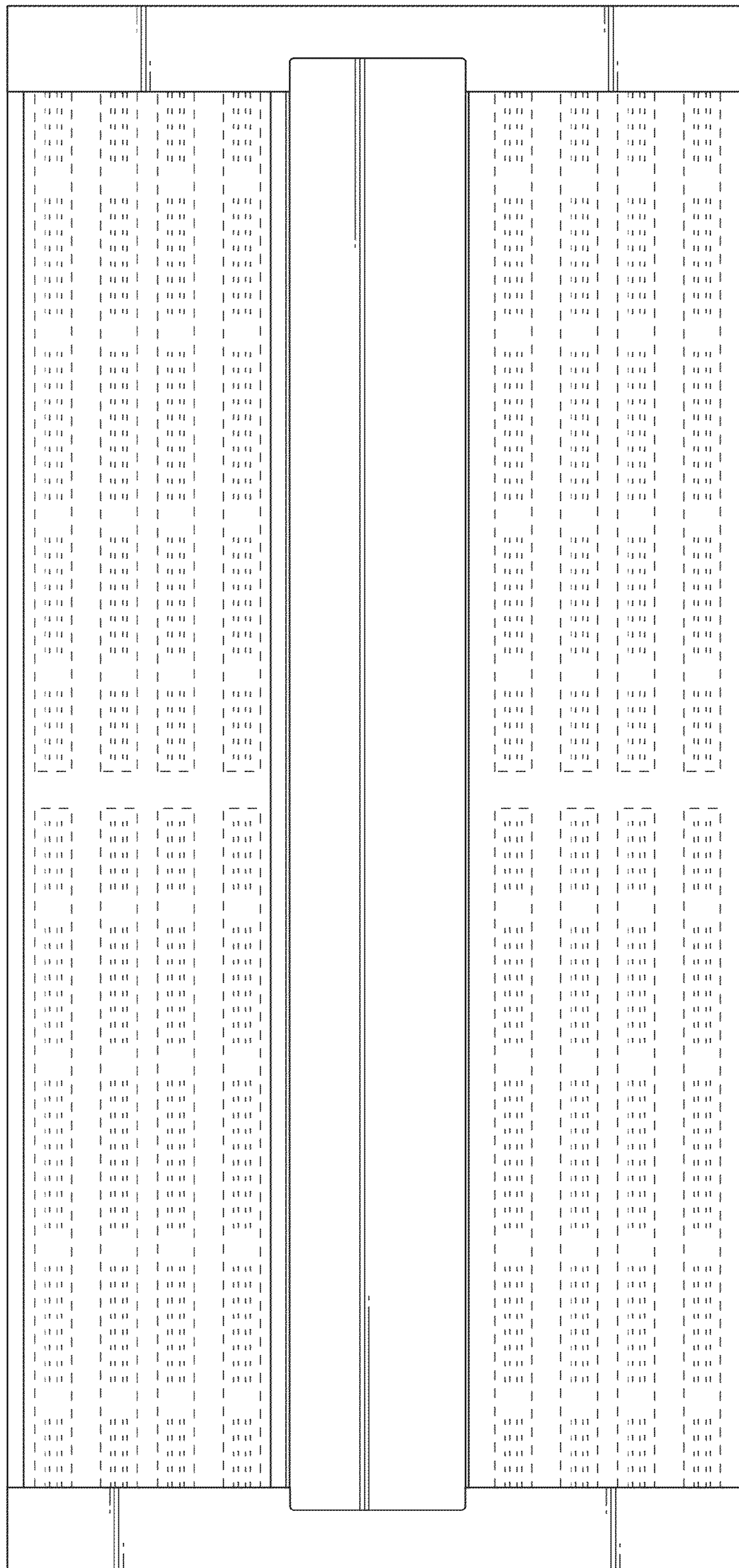


FIG. 21

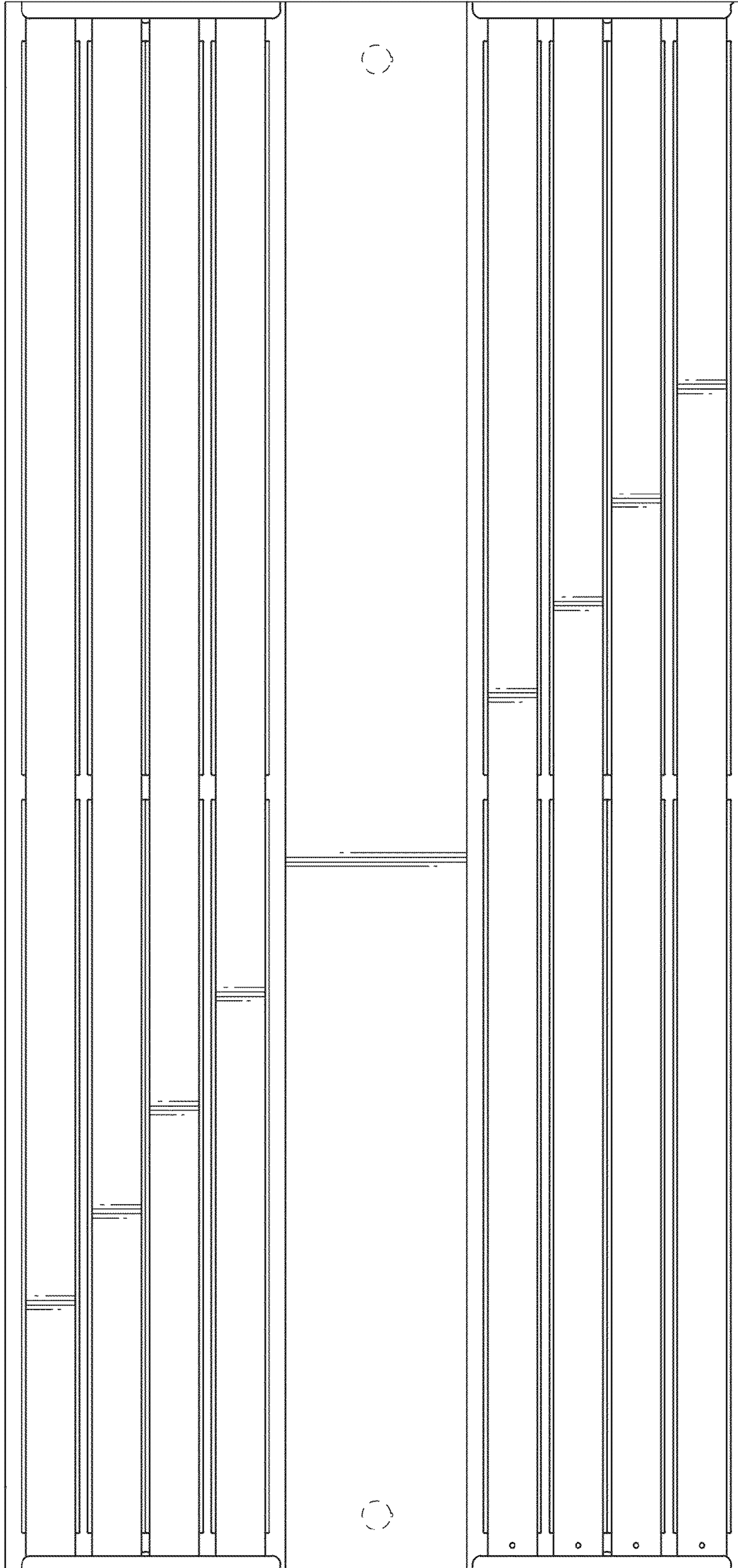


FIG. 22

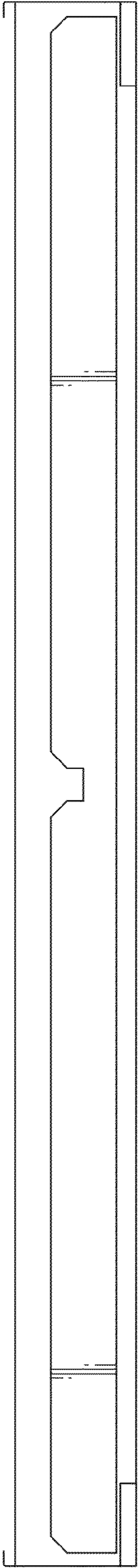


FIG. 23

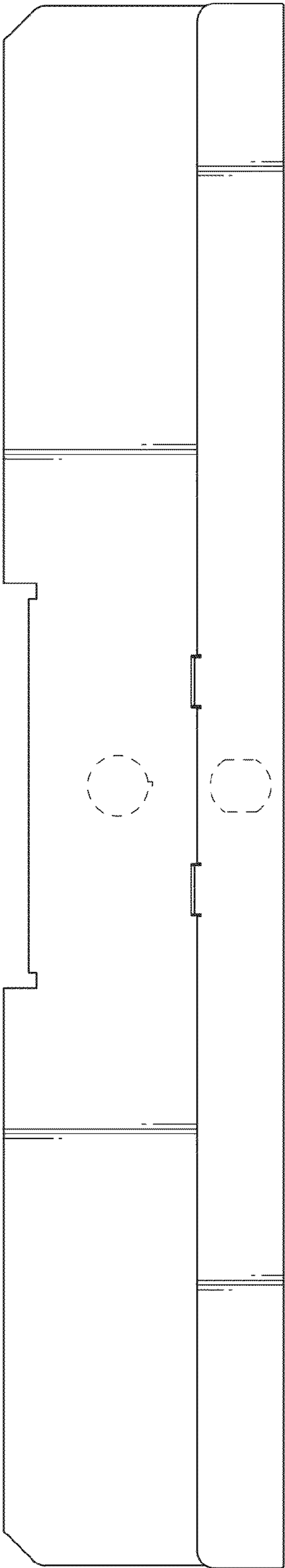


FIG. 24