



US00D759873S

(12) **United States Design Patent**
Saaranen et al.

(10) **Patent No.:** **US D759,873 S**
(45) **Date of Patent:** **** Jun. 21, 2016**

(54) **LED LIGHT**

(71) Applicant: **Kone Corporation**, Helsinki (FI)

(72) Inventors: **Joonas Saaranen**, Helsinki (FI); **Visa Rauta**, Hyvinkää (FI); **Stefano Vaccari**, Costabissara (IT)

(73) Assignee: **Kone Corporation** (FI)

(**) Term: **14 Years**

(21) Appl. No.: **29/471,284**

(22) Filed: **Oct. 30, 2013**

(30) **Foreign Application Priority Data**

Apr. 30, 2013 (EP) 002229476-0001
Apr. 30, 2013 (EP) 002229476-0002

(51) **LOC (10) Cl.** **26-05**

(52) **U.S. Cl.**
USPC **D26/74**

(58) **Field of Classification Search**
USPC D26/74, 24, 72, 75, 76, 78, 79, 81, 82,
D26/88, 89, 91, 113, 118, 119, 120, 138,
D26/141, 142
CPC F21V 21/04; F21V 21/041; F21V 7/005;
F21Y 2111/002; F21S 8/026; F21S 8/02
See application file for complete search history.

(56) **References Cited**

U.S. PATENT DOCUMENTS

D370,550 S * 6/1996 Lecluze D26/118
D380,852 S * 7/1997 Lecluze D26/118
D381,111 S * 7/1997 Lecluze D26/118
D381,454 S * 7/1997 Lecluze D26/118
D386,805 S * 11/1997 Bonnette et al. D26/74
D387,466 S * 12/1997 Lecluze D26/118
D437,654 S * 2/2001 Chen D26/74
D482,484 S * 11/2003 Benghozi D26/85

D571,038 S * 6/2008 Chan et al. D26/152
D599,951 S * 9/2009 Pickard et al. D26/138
D601,295 S * 9/2009 Brown D26/118
D601,744 S * 10/2009 Sakuma D26/89
D604,454 S * 11/2009 Majidi D26/142
D617,035 S * 6/2010 Sabernig D26/89
D667,985 S * 9/2012 Gielen D26/89
D681,867 S * 5/2013 Wegger et al. D26/124
D686,769 S * 7/2013 Petroski et al. D26/74
D697,650 S * 1/2014 Maxik et al. D26/63
D698,070 S * 1/2014 Messisaen D26/74
D705,473 S * 5/2014 Messisaen D26/74
D707,877 S * 6/2014 Turner D26/118
D712,082 S * 8/2014 Harpenau et al. D26/74
2011/0080727 A1* 4/2011 Maxik et al. 362/235
2012/0262921 A1* 10/2012 Boomgaarden et al. . 362/249.02

* cited by examiner

Primary Examiner — Angela J Lee

(74) *Attorney, Agent, or Firm* — Clinton H. Wilkinson;
Charles A. Wilkinson

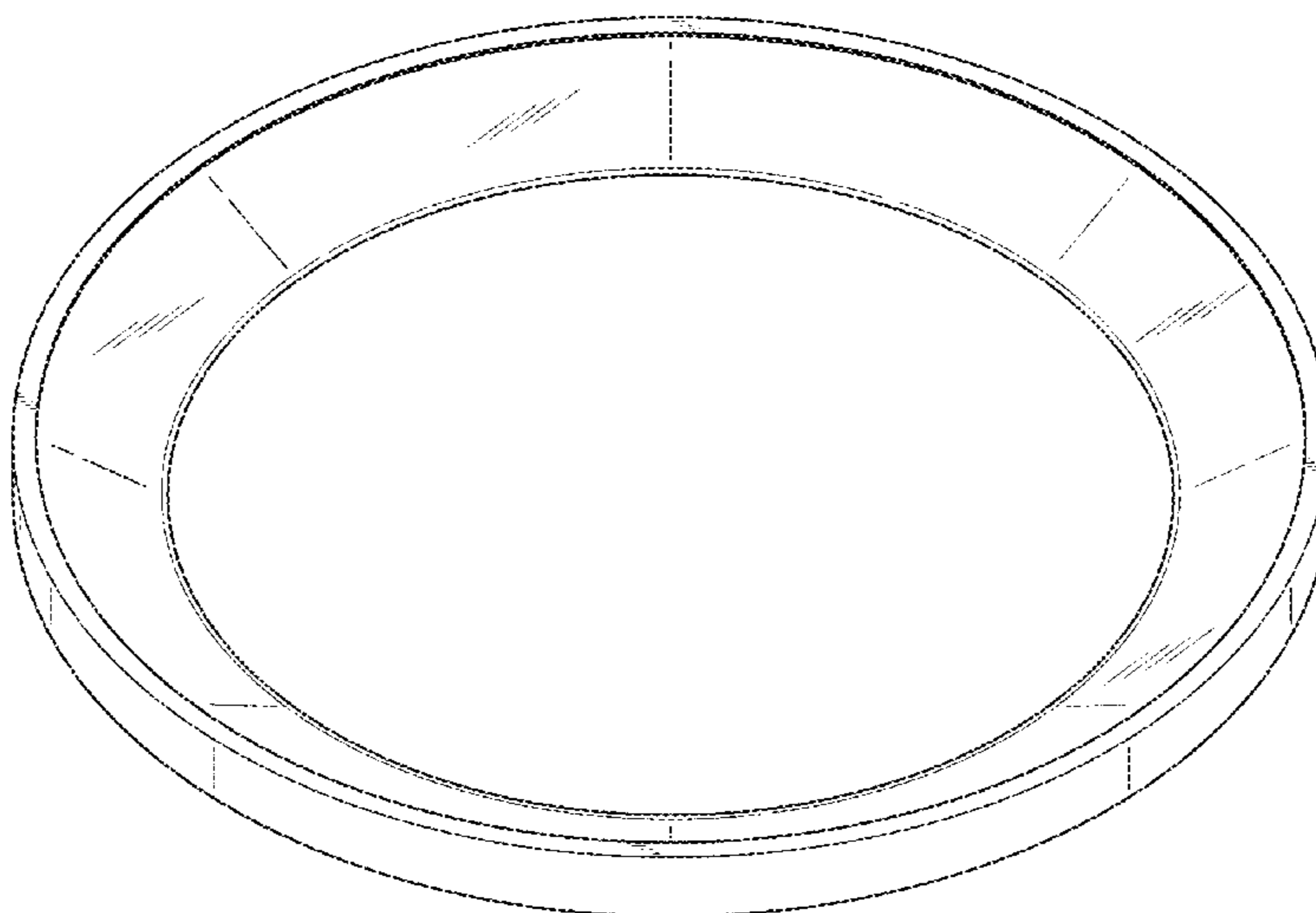
(57) **CLAIM**

The ornamental design for an LED light, as shown and described.

DESCRIPTION

FIG. 1 is a perspective view of an LED light showing our new design;
FIG. 2 is a side view thereof;
FIG. 3 is a bottom view thereof;
FIG. 4 is a top view thereof;
FIG. 5 is a perspective view of another embodiment of our LED light;
FIG. 6 is a side view thereof;
FIG. 7 is a bottom view thereof; and,
FIG. 8 is a top view thereof.
Material in the several views shown in broken lines illustrates variable environmental material associated together with material shown in solid, and forms no part of the claimed design.

1 Claim, 6 Drawing Sheets



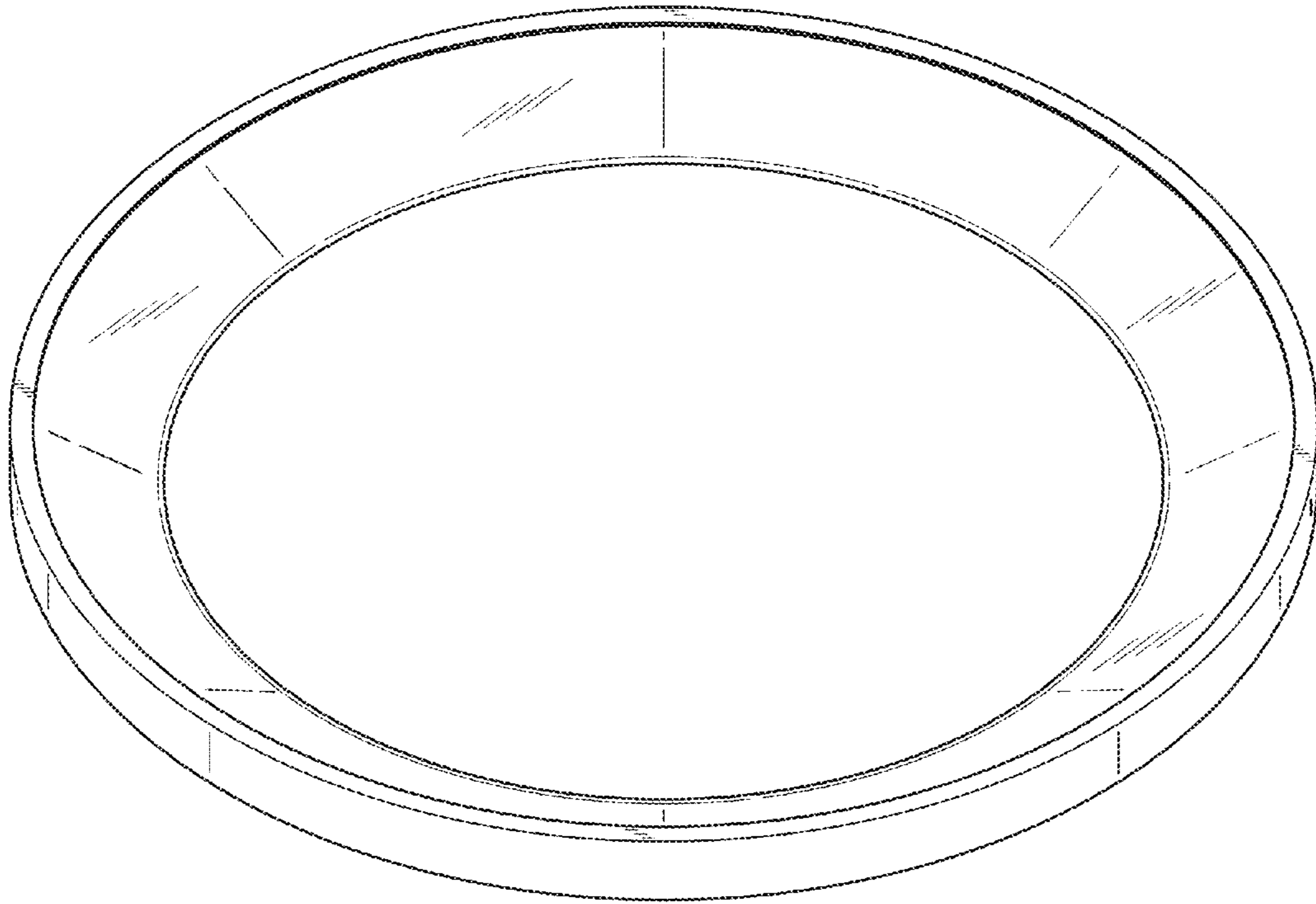


FIG. 1



FIG. 2

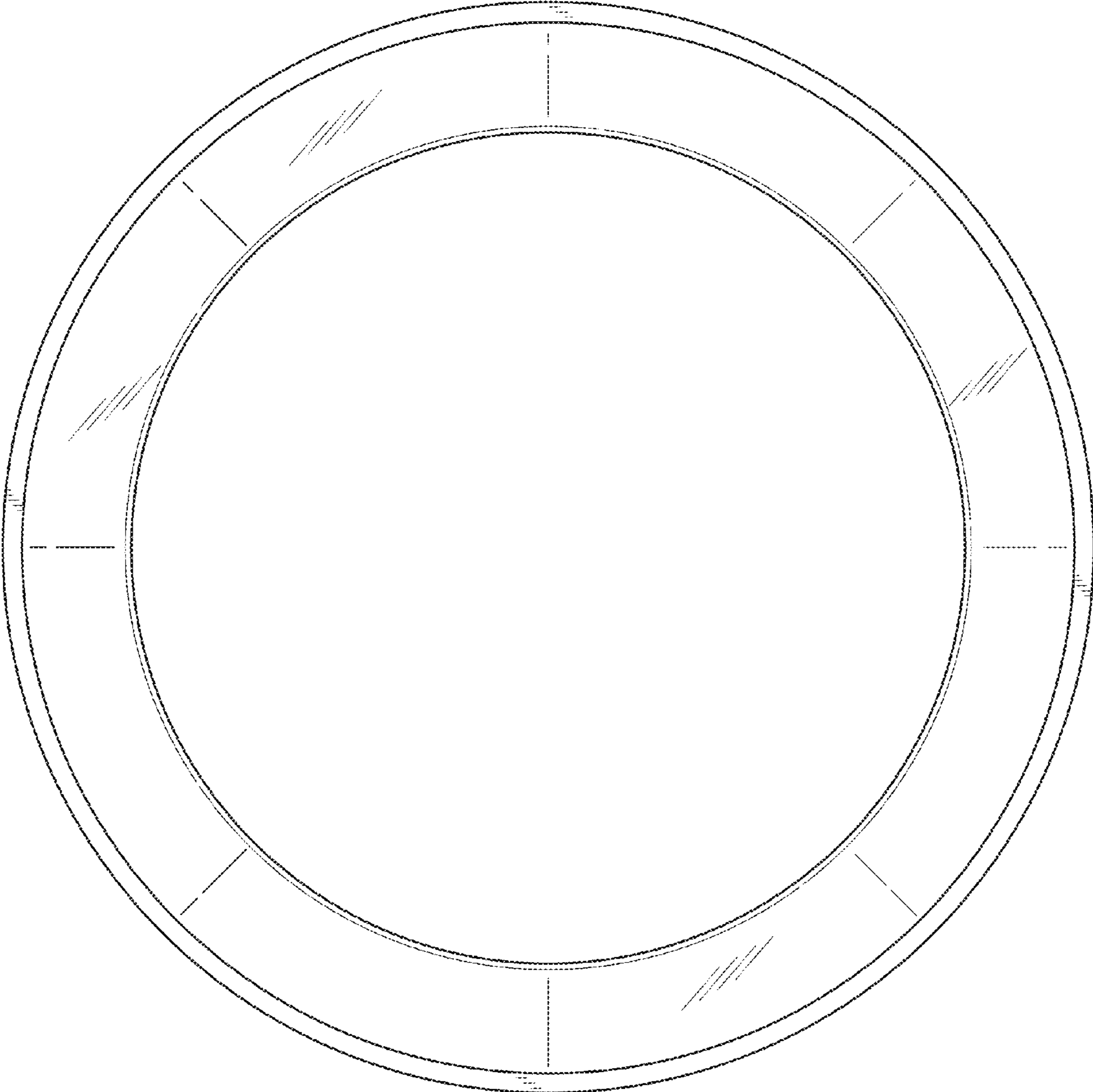


FIG. 3

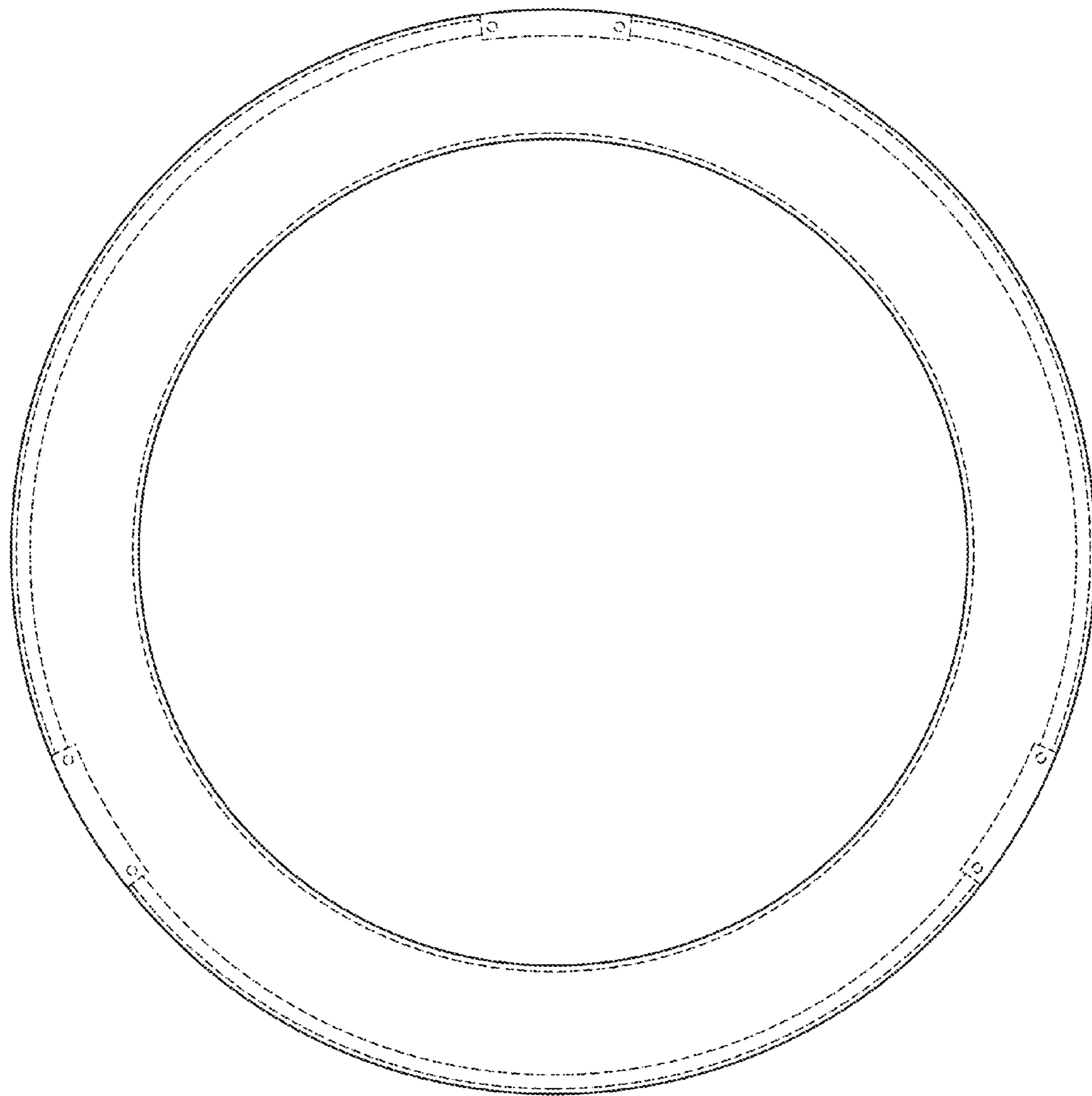


FIG. 4

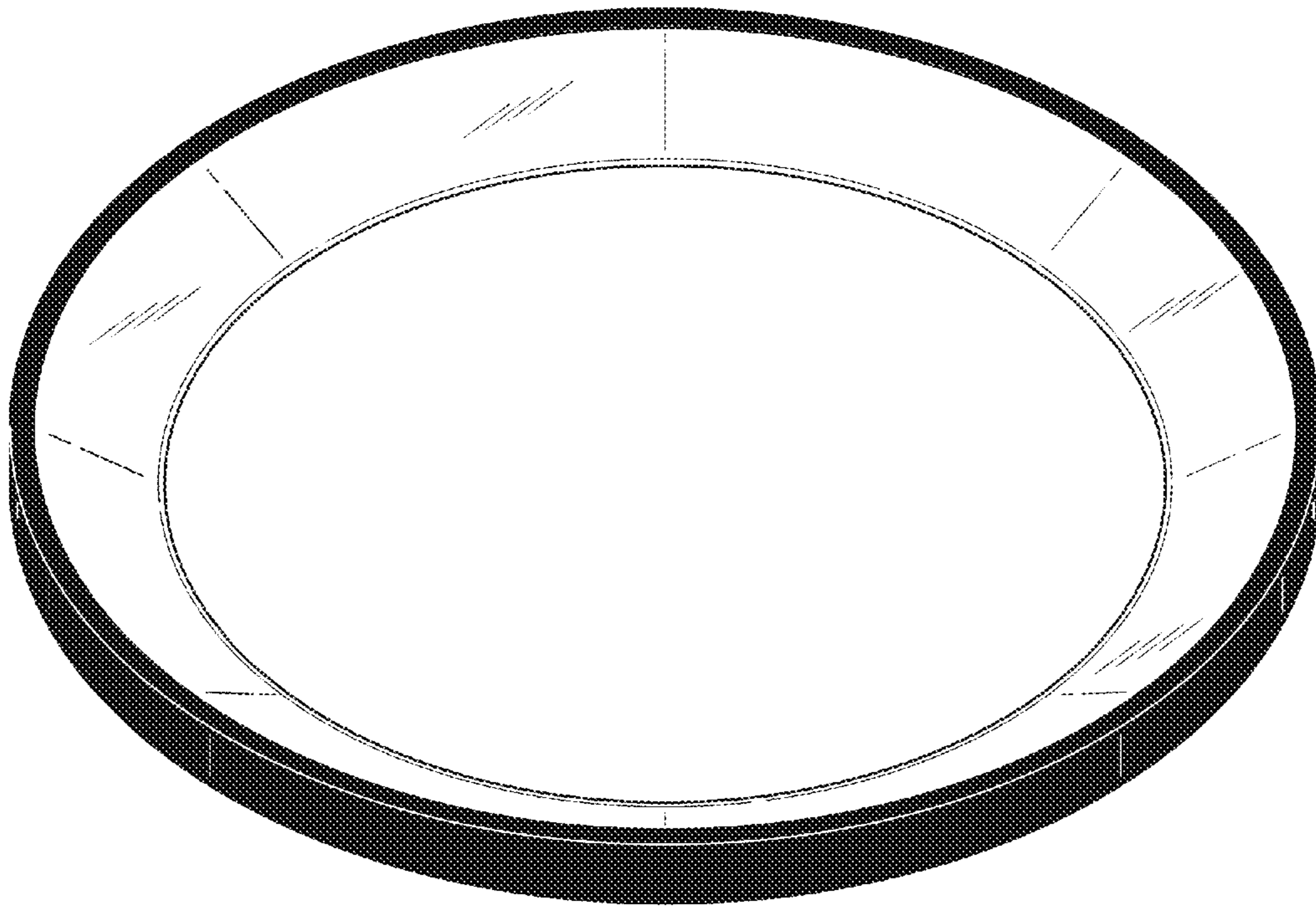


FIG. 5



FIG. 6

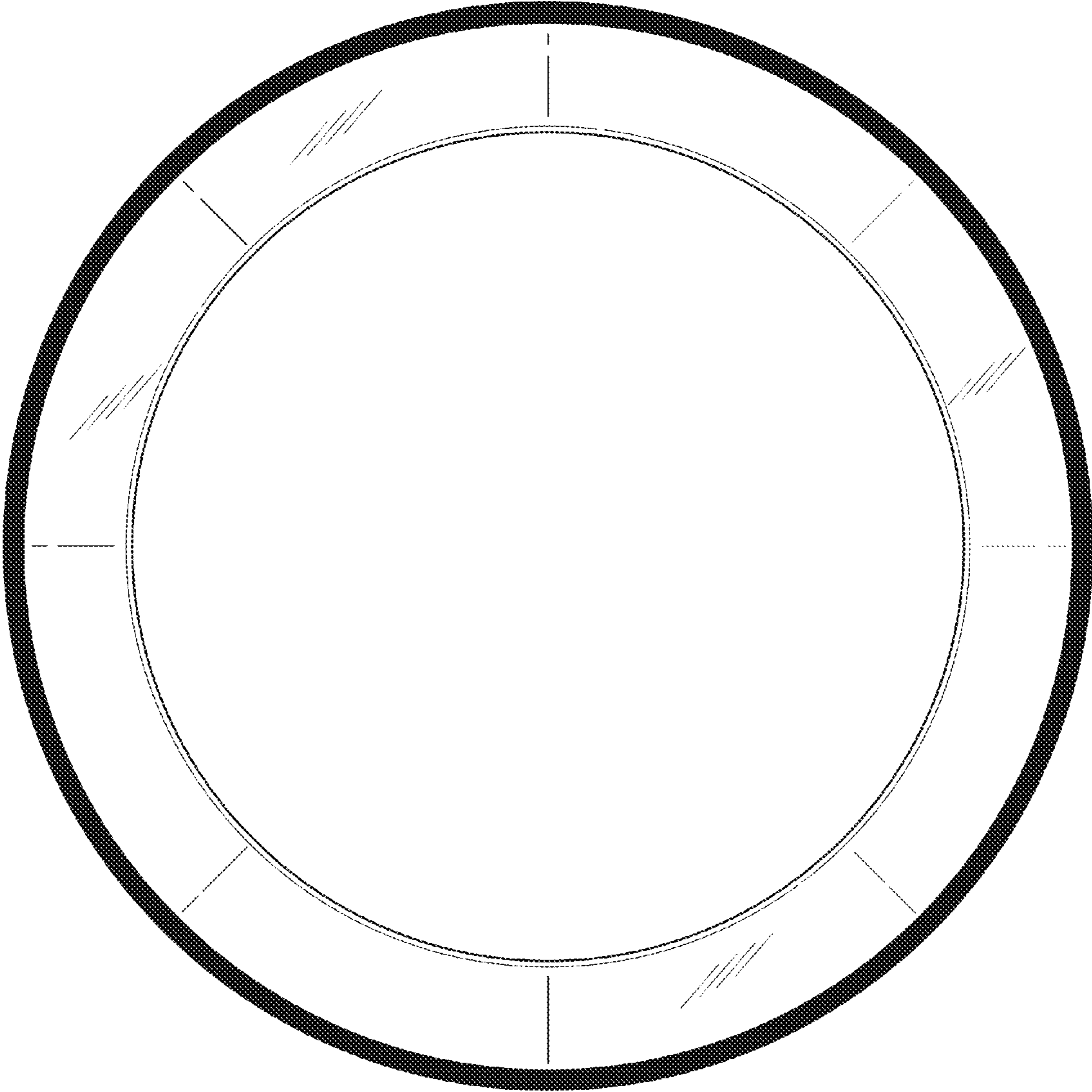


FIG. 7

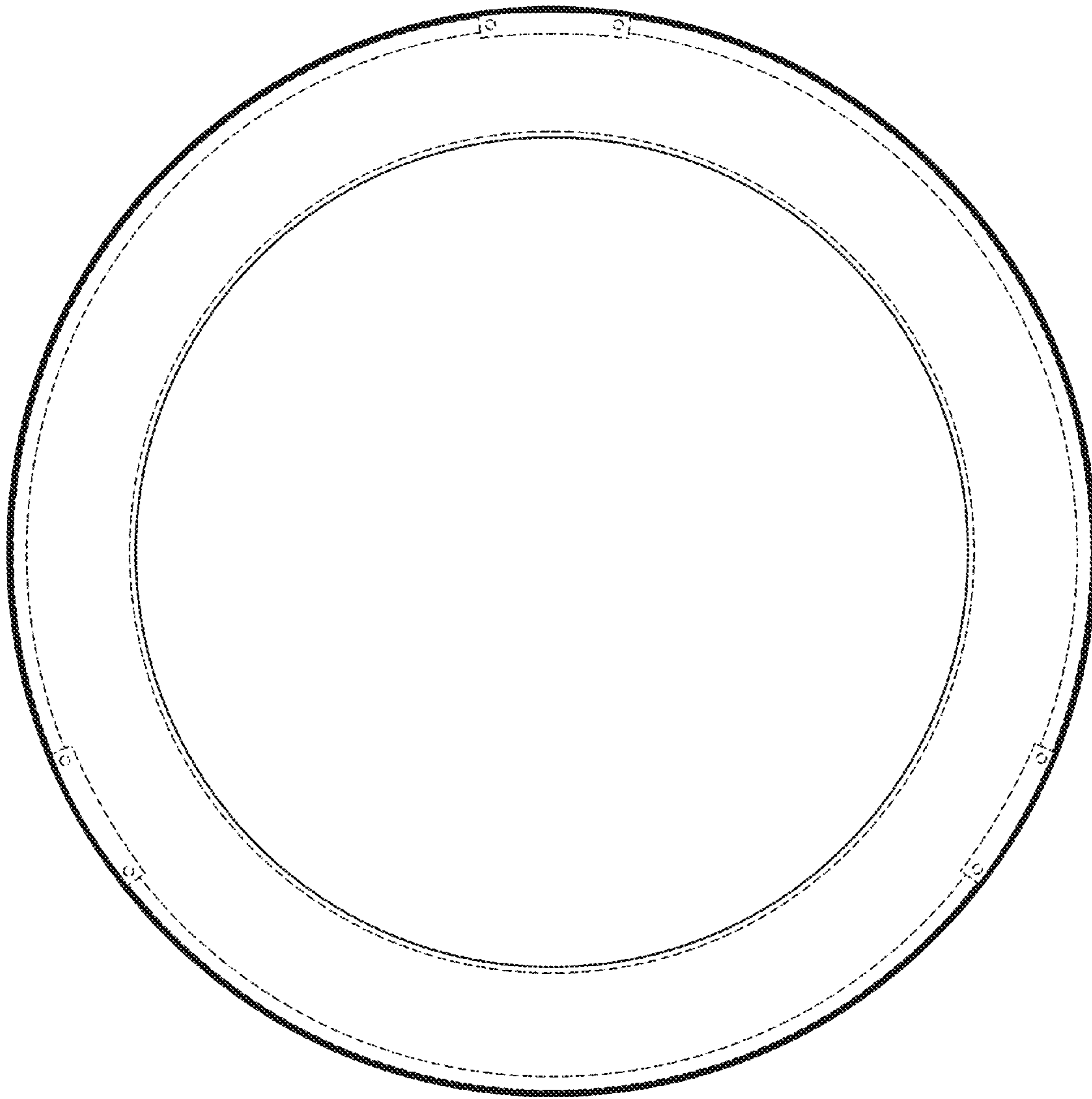


FIG. 8